

[54] REAR LIFT GATE DOOR FOR AN AUTOMOBILE

[75] Inventor: Jan Wilsgaard, Kullavik, Sweden

[73] Assignee: Aktiebolaget Volvo, Goteborg, Sweden

[\*\*] Term: 14 Years

[21] Appl. No.: 741,296

[22] Filed: Jun. 4, 1985

[30] Foreign Application Priority Data

Dec. 20, 1984 [SE] Sweden ..... 84-3409  
[52] U.S. Cl. .... D12/196  
[58] Field of Search ..... D12/196; 296/50, 56

[56] References Cited PUBLICATIONS

Motor Trend, 12/81, p. 102, rear lift gate of Volvo GLT station wagon, center left side of page.

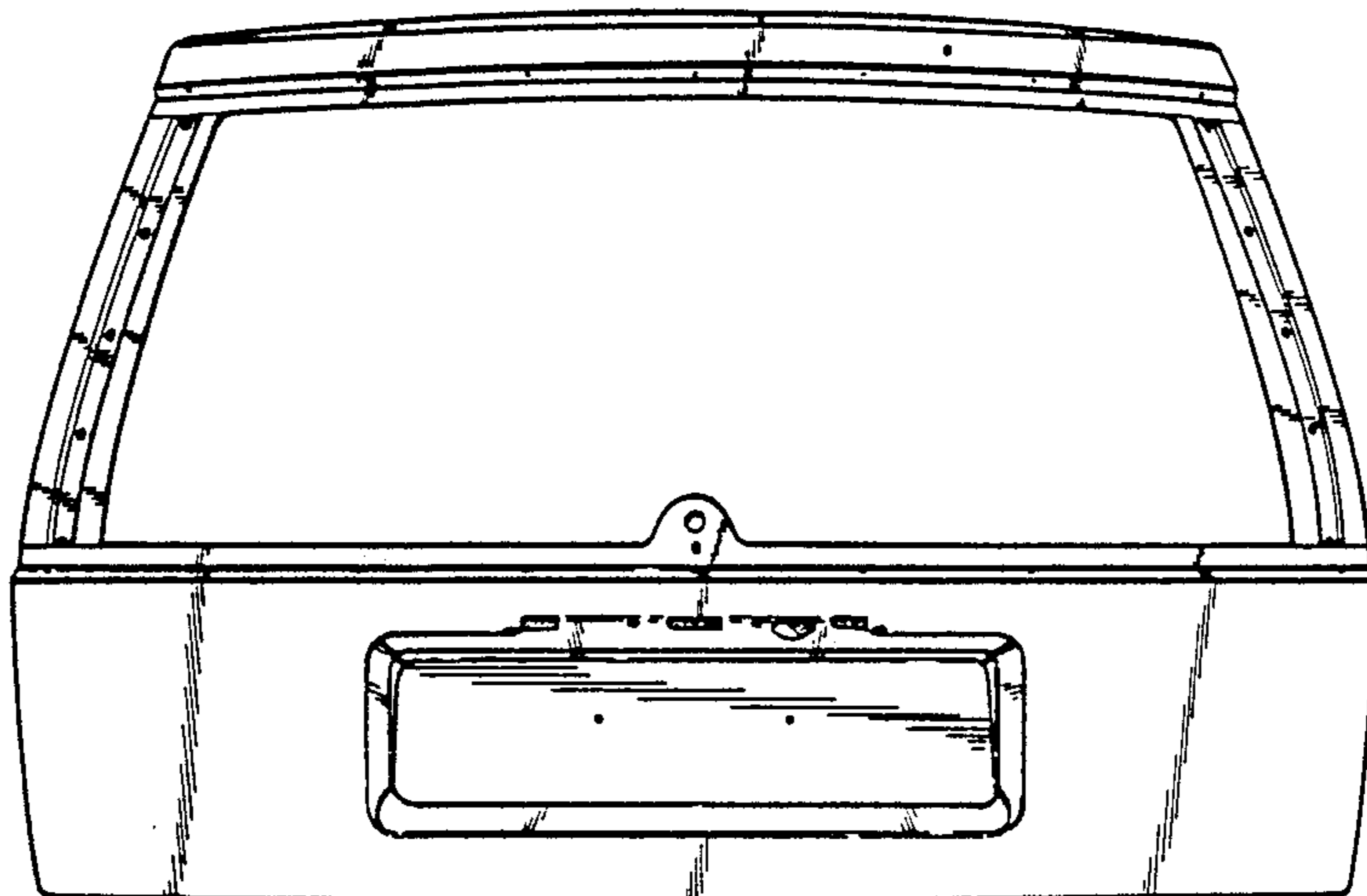
Primary Examiner—James M. Gandy  
Attorney, Agent, or Firm—Young & Thompson

[57] CLAIM

The ornamental design for a rear lift gate door for an automobile, as shown.

DESCRIPTION

FIG. 1 is a front elevational view of a rear lift gate door for an automobile, showing my new design; FIG. 2 is a rear elevational view thereof; and FIG. 3 is a side perspective view thereof.



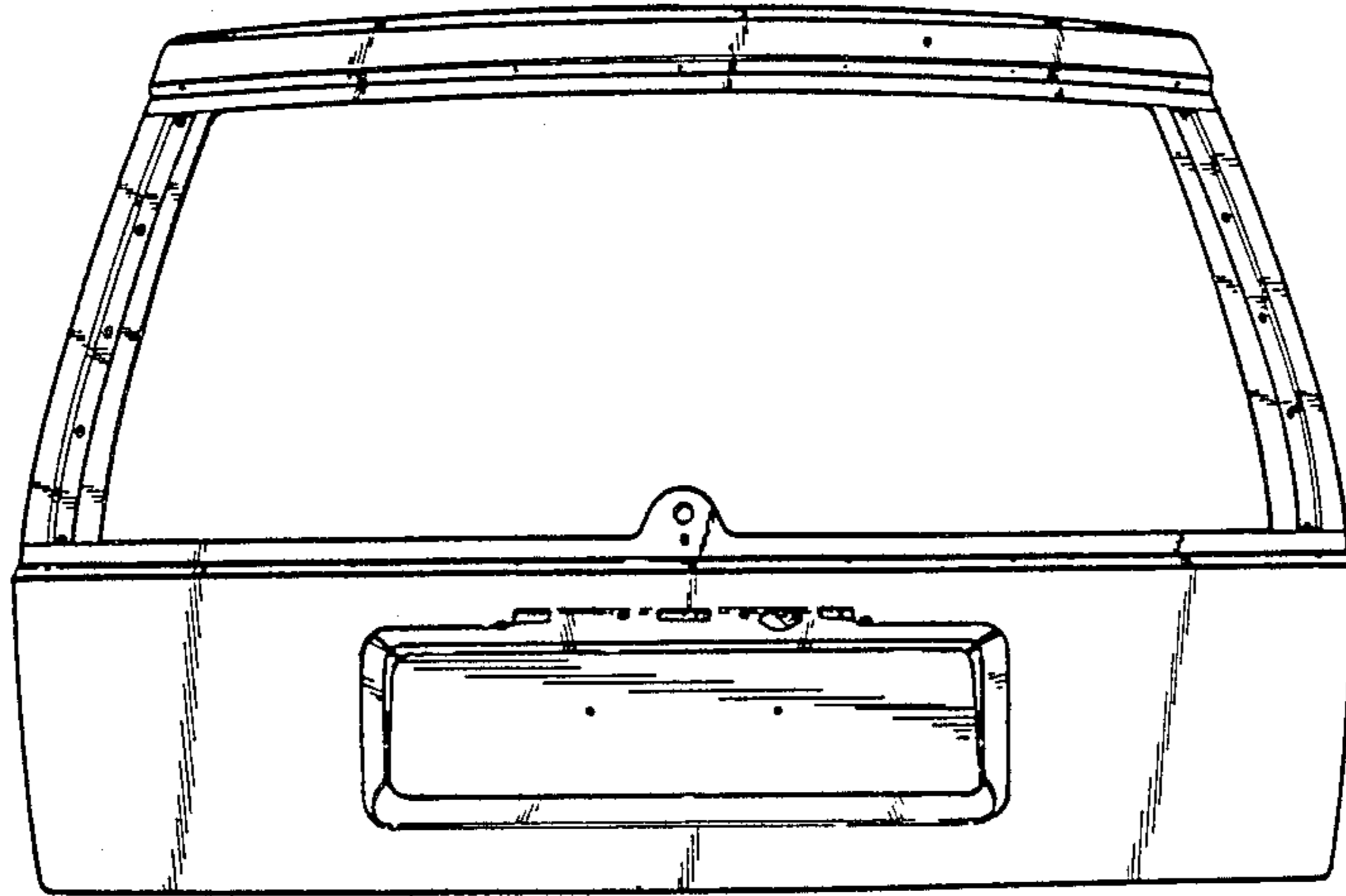


FIG. 1

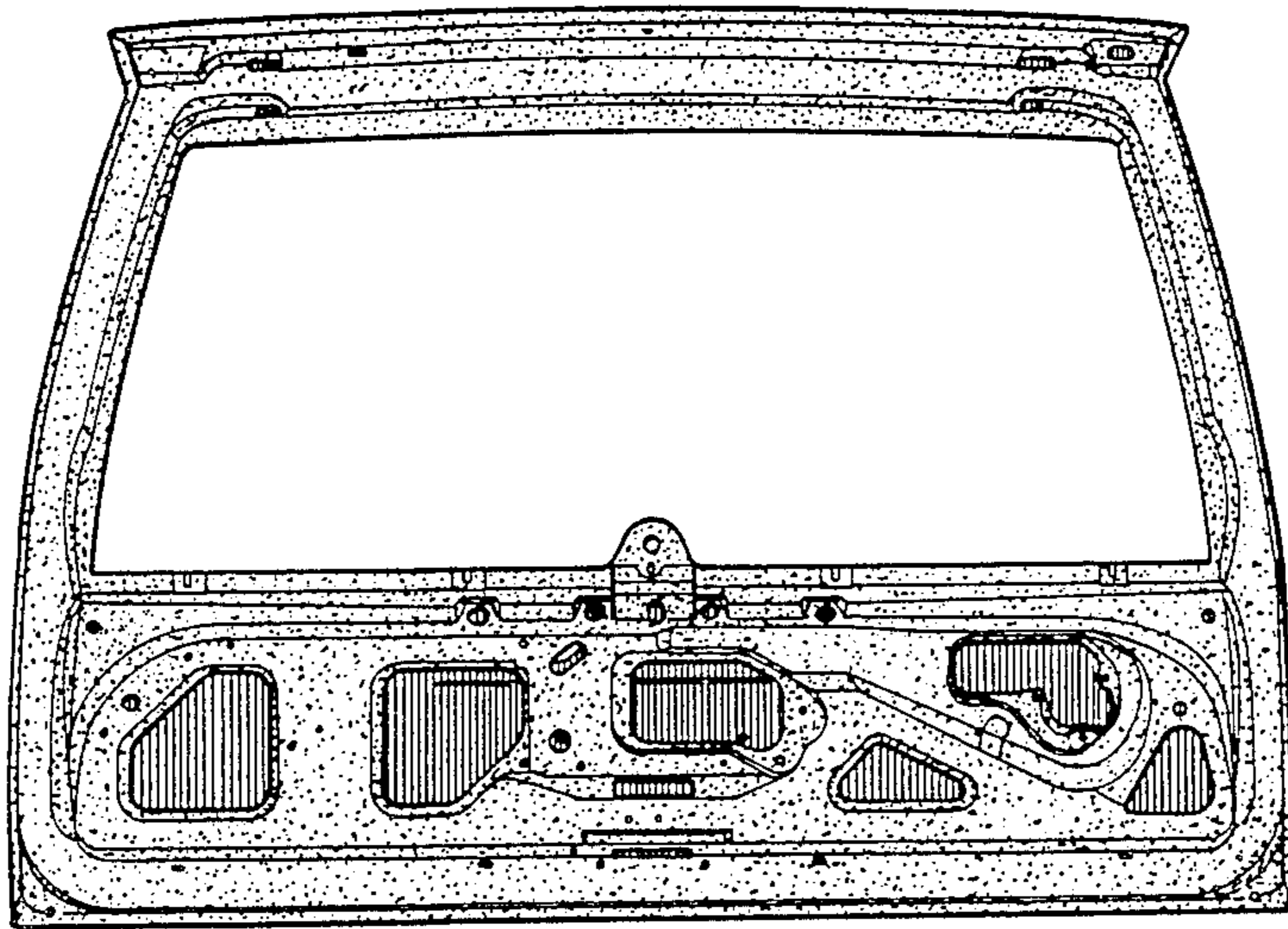


FIG. 2



FIG. 3