

[54] FASTENER

3,204,905 9/1965 Marban ..... 403/217

[75] Inventors: Norman E. Burke, Sudbury; Robert G. Ridley, Woburn, both of Mass.

FOREIGN PATENT DOCUMENTS

0246128 9/1947 Switzerland ..... 24/339  
2089881 6/1982 United Kingdom ..... 403/DIG. 10

[73] Assignee: Digital Equipment Corporation, Maynard, Mass.

Primary Examiner—B. J. Bullock  
Attorney, Agent, or Firm—Frank R. Perillo; Ronald T. Reiling

[\*\*] Term: 14 Years

[21] Appl. No.: 704,354

[57] CLAIM

[22] Filed: Feb. 21, 1985

The ornamental design for a fastener, substantially as shown and described.

[52] U.S. Cl. .... D8/394; D8/382

[58] Field of Search ..... D8/382, 394; 403/217, 403/286, 341, 403, 405.1, 167, 338, 343, 410, DIG. 9, 10; 52/285; 411/83, 89, 103, 104, 106, 172; 229/5.7

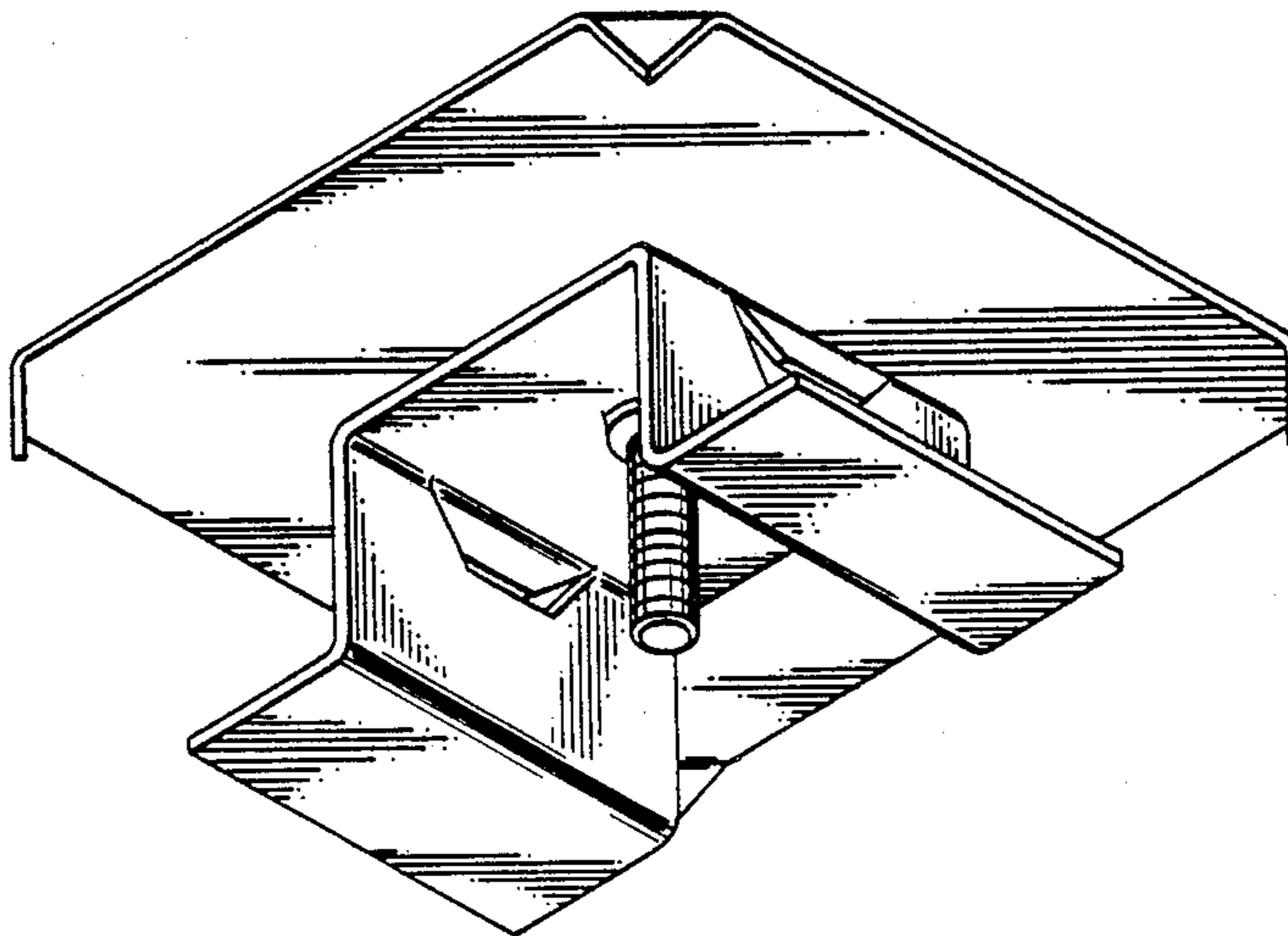
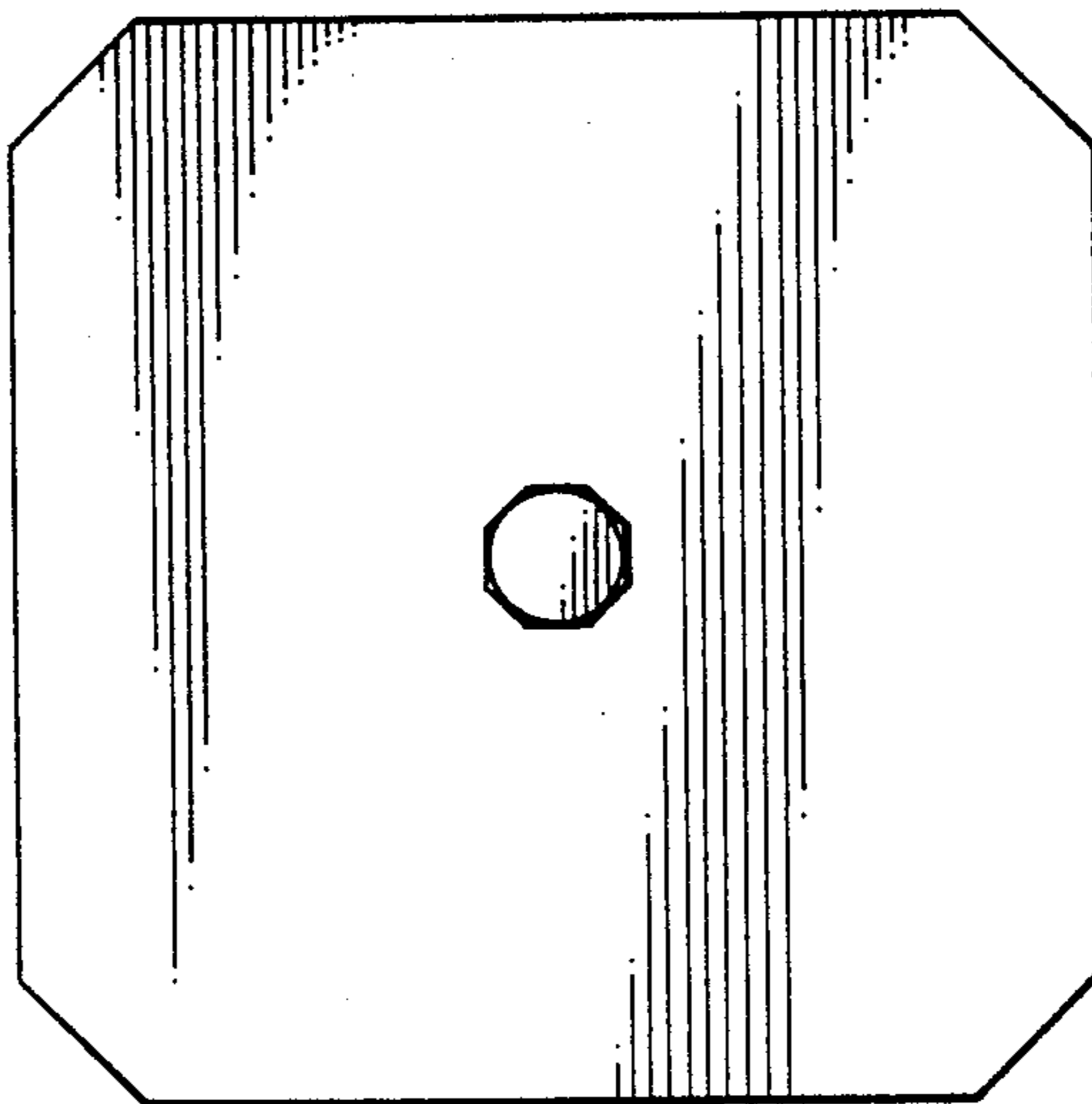
DESCRIPTION

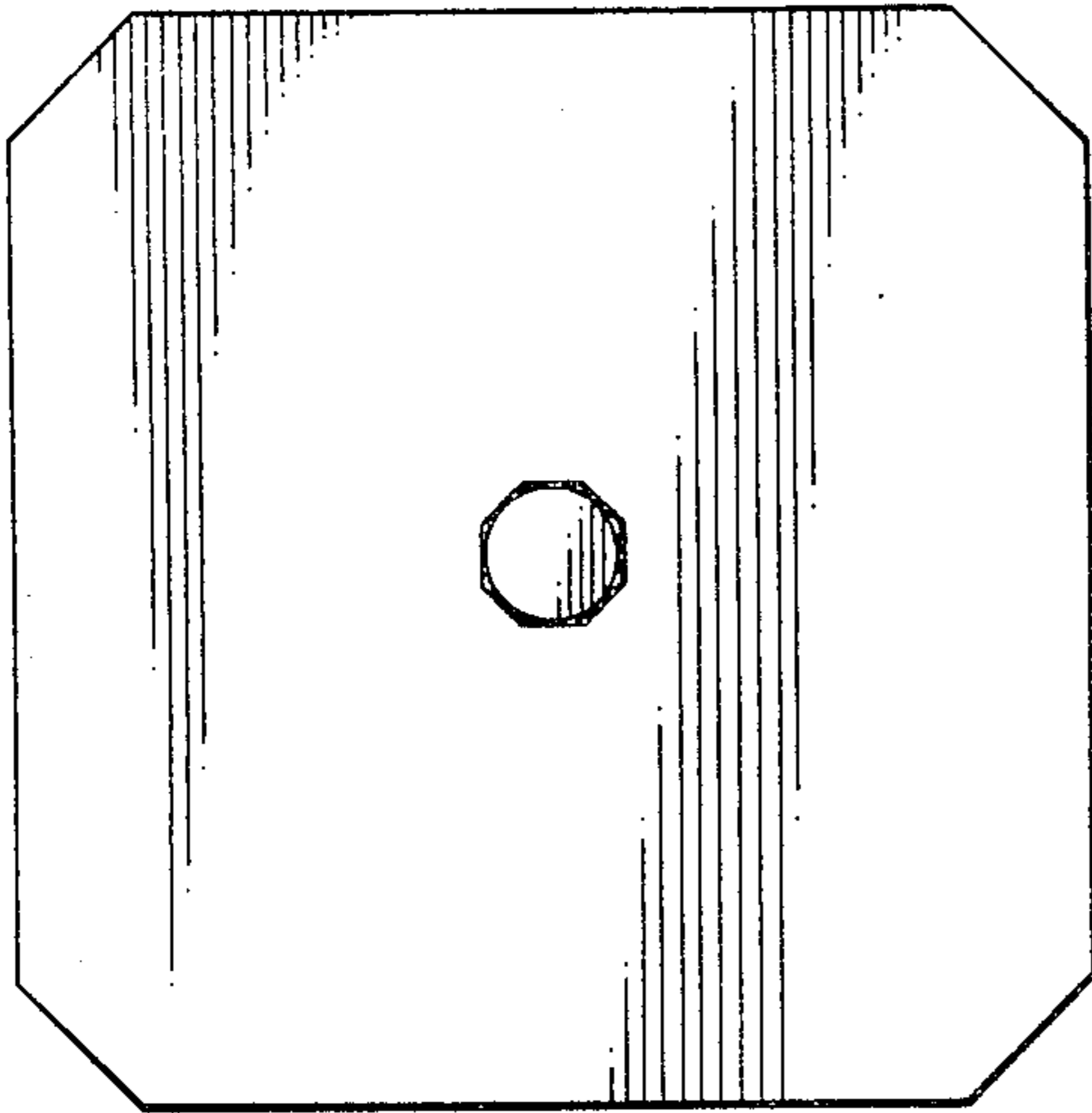
[56] References Cited

U.S. PATENT DOCUMENTS

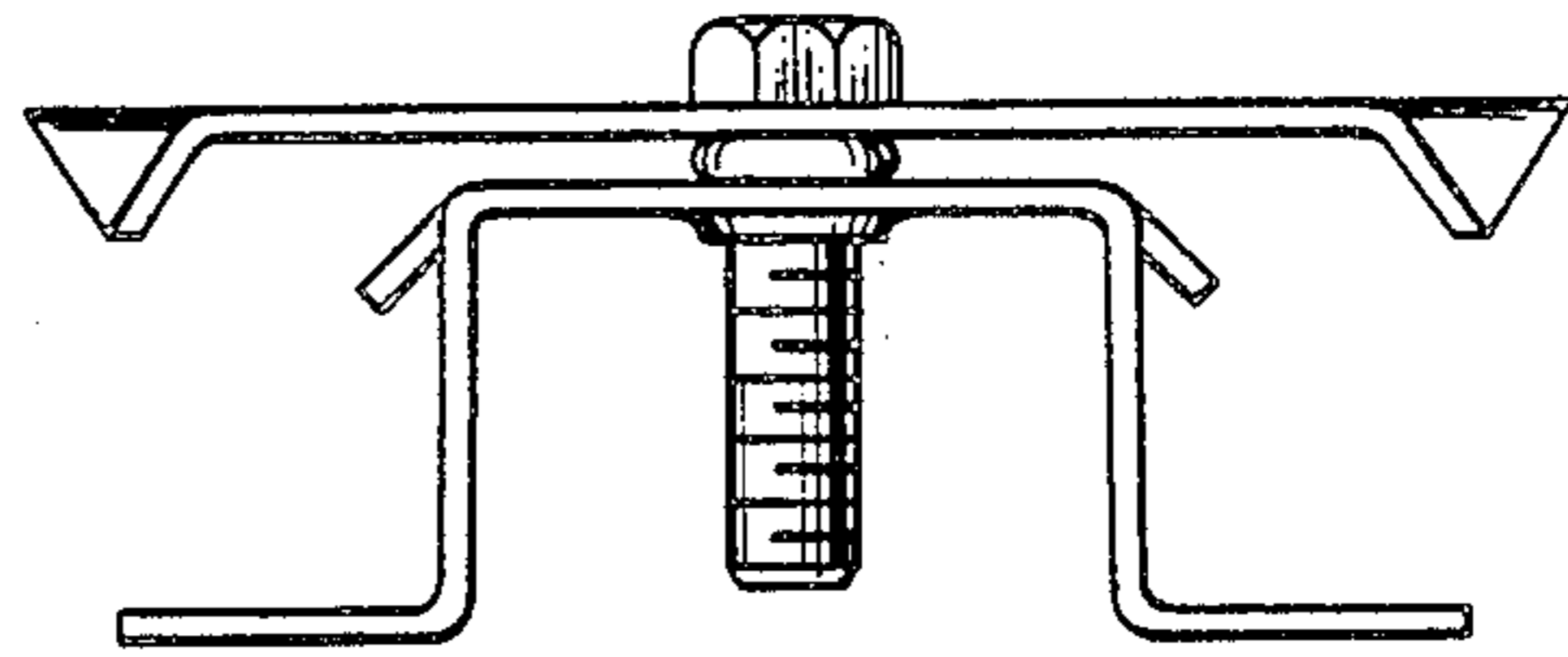
D. 265,792 8/1982 Winter et al. .... D8/394  
2,632,929 3/1953 Poupitch ..... 411/83  
3,088,560 5/1963 Preuss ..... 411/106

FIG. 1 is a top view of a fastener embodying our new design;  
FIG. 2 is a front view thereof;  
FIG. 3 is a bottom view thereof;  
FIG. 4 is a rear view thereof;  
FIG. 5 is a right side view thereof;  
FIG. 6 is a left side view thereof;  
FIG. 7 is a bottom perspective view thereof;

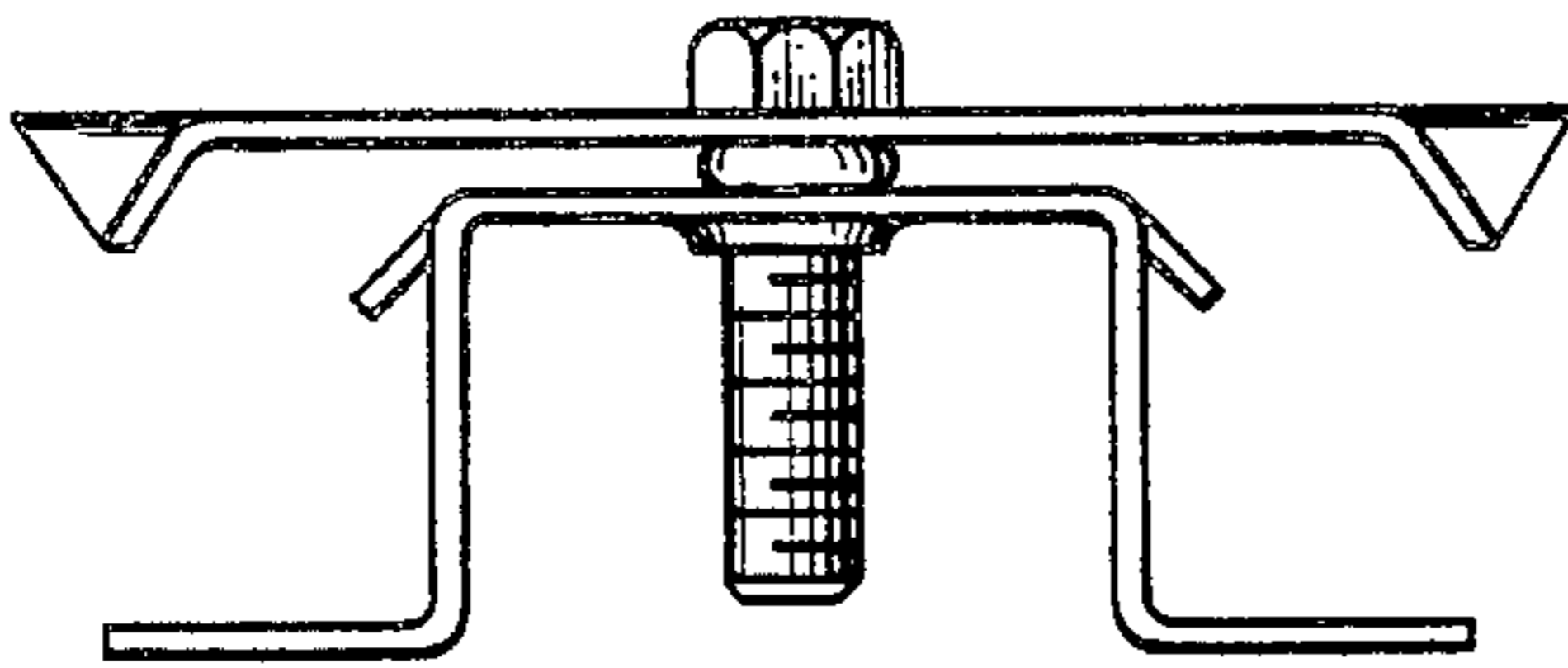




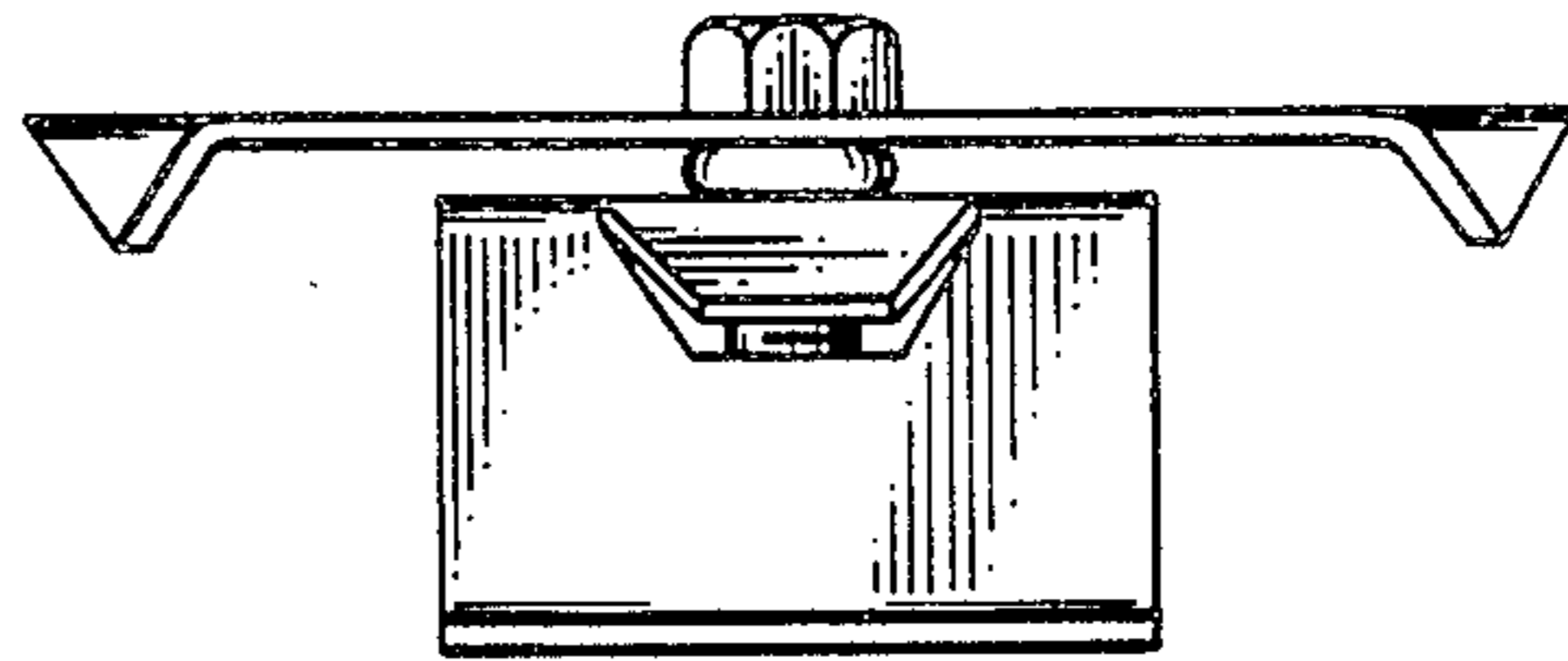
*Fig. 1.*



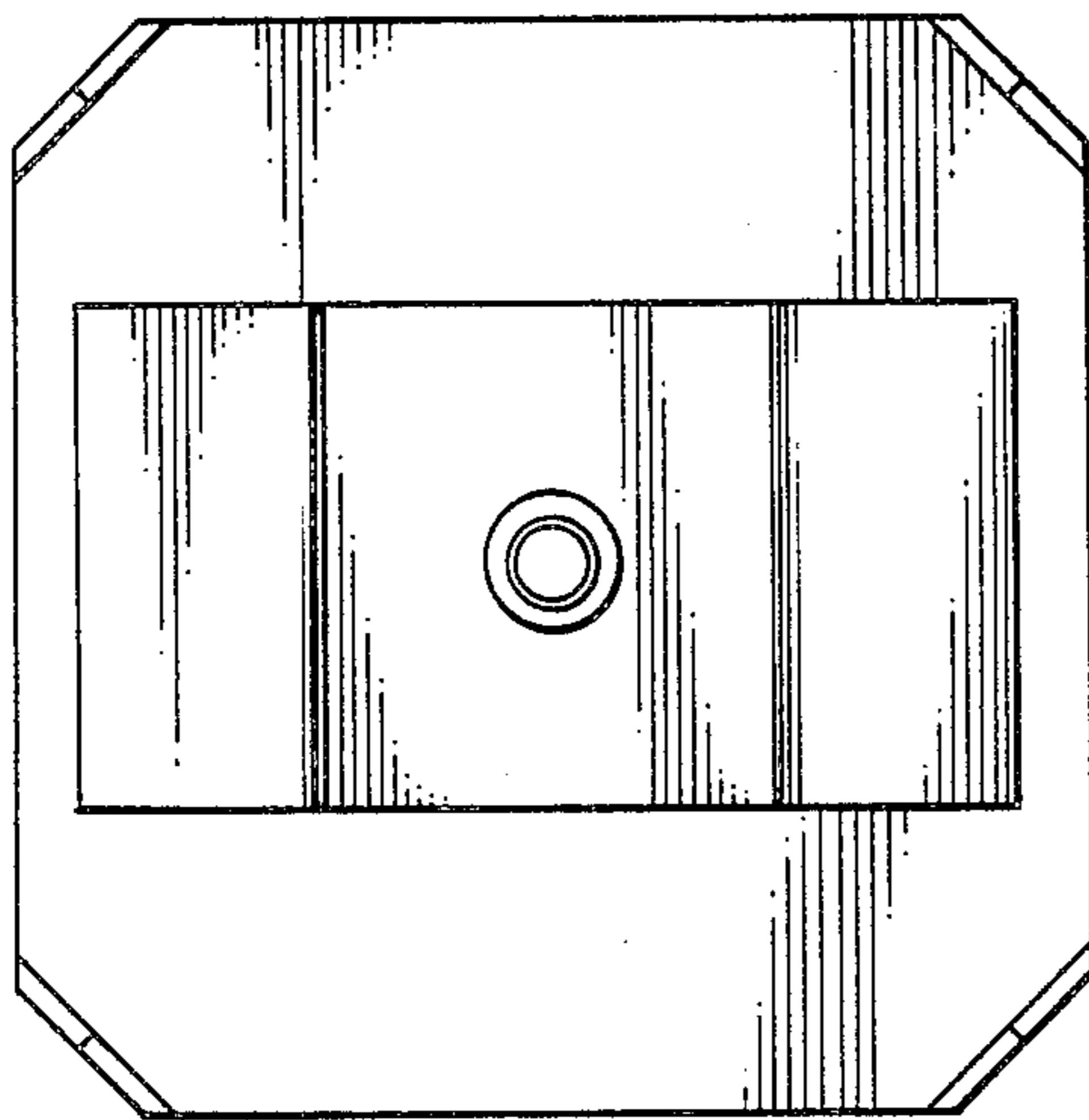
*Fig. 4.*



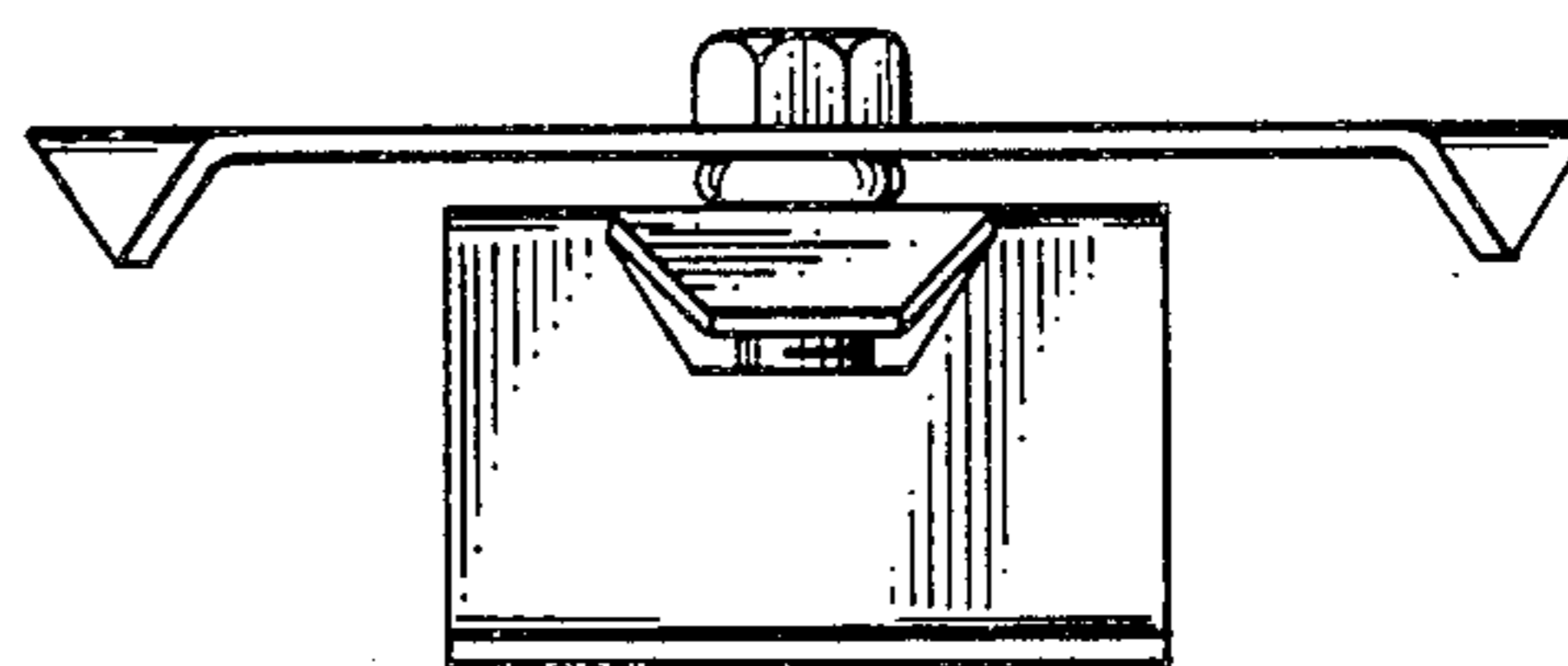
*Fig. 2.*



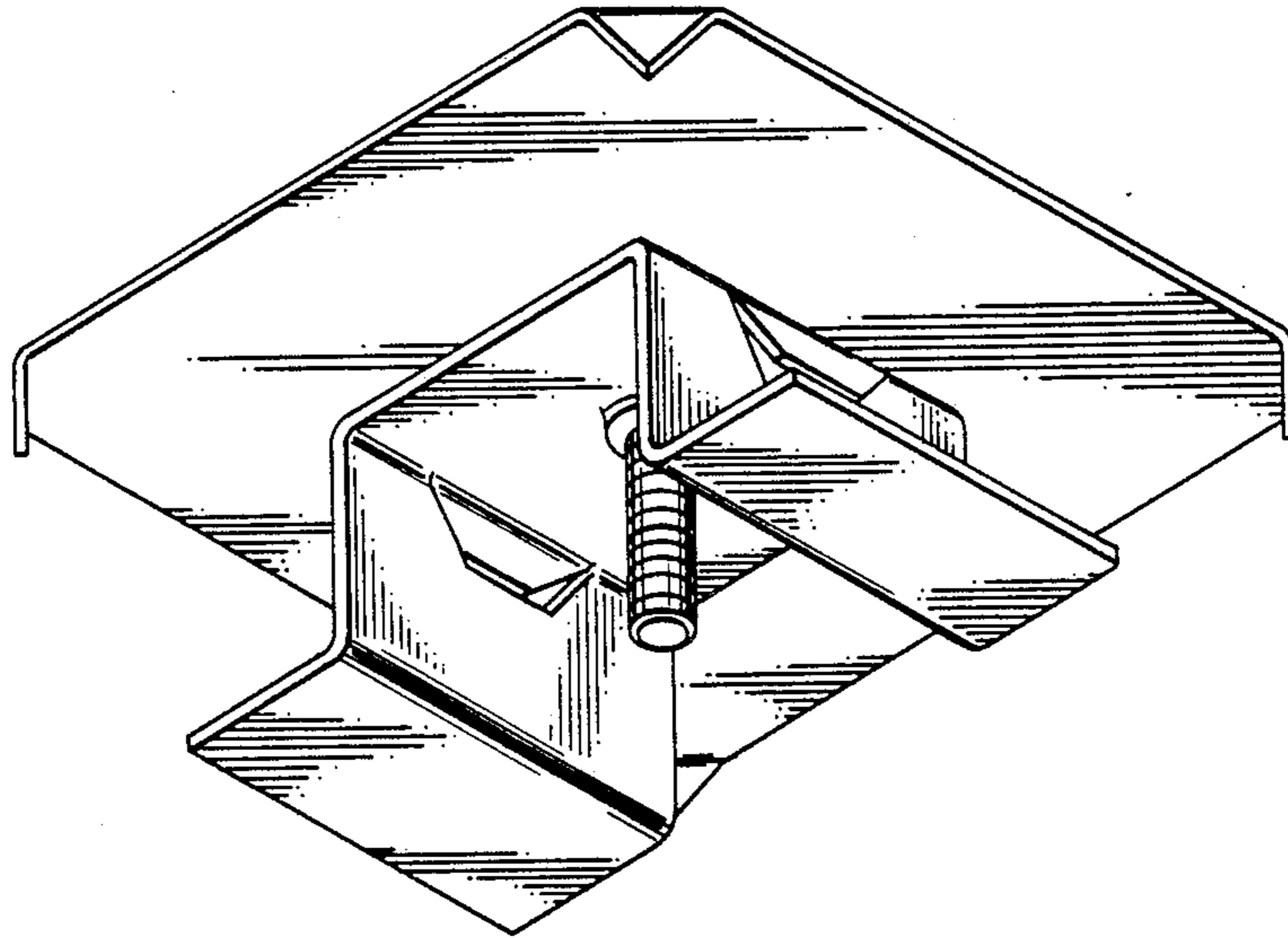
*Fig. 5.*



*Fig. 3.*



*Fig. 6.*



*Fig. 7.*