

[54] MICROWAVE OVEN

[75] Inventors: Katsutoshi Kido, Kyoto; Tomoyasu Hiratsuka; Kensuke Mizuma, both of Nara, all of Japan

[73] Assignee: Matsushita Electric Industrial Co., Ltd., Osaka, Japan

[**] Term: 14 Years

[21] Appl. No.: 785,130

[22] Filed: Oct. 7, 1985

[30] Foreign Application Priority Data

Apr. 8, 1985 [JP] Japan 60-14179

[52] U.S. Cl. D7/351

[58] Field of Search D7/350, 351; 219/10.55 R, 10.55 A, 10.55 B, 10.55 C, 10.55 D, 10.55 E, 10.55 M

[56] References Cited

U.S. PATENT DOCUMENTS

- D. 242,300 11/1976 Pitstick et al. D7/351
- D. 268,083 3/1983 Hirose et al. D7/351

- D. 268,161 3/1983 Yamamura et al. D7/351
- D. 269,840 7/1983 Tanaka et al. D7/351
- D. 275,546 9/1984 Tanaka et al. D7/351
- D. 285,891 9/1986 Miyane et al. D7/351

OTHER PUBLICATIONS

Restaurant and Institutions, vol. 90, 3/15/82, p. 59, "Sharp Microwave".

Primary Examiner—Susan J. Lucas
Assistant Examiner—Ruth Takemoto
Attorney, Agent, or Firm—Sughrue, Mion, Zinn, Macpeak, and Seas

[57] CLAIM

The ornamental design for a microwave oven, as shown.

DESCRIPTION

FIG. 1 is a front, top and right side perspective view of a microwave oven showing our new design; FIG. 2 is a rear, bottom and left side perspective view thereof; FIG. 3 is a top plan view thereof; and FIG. 4 is a right side elevational view thereof.

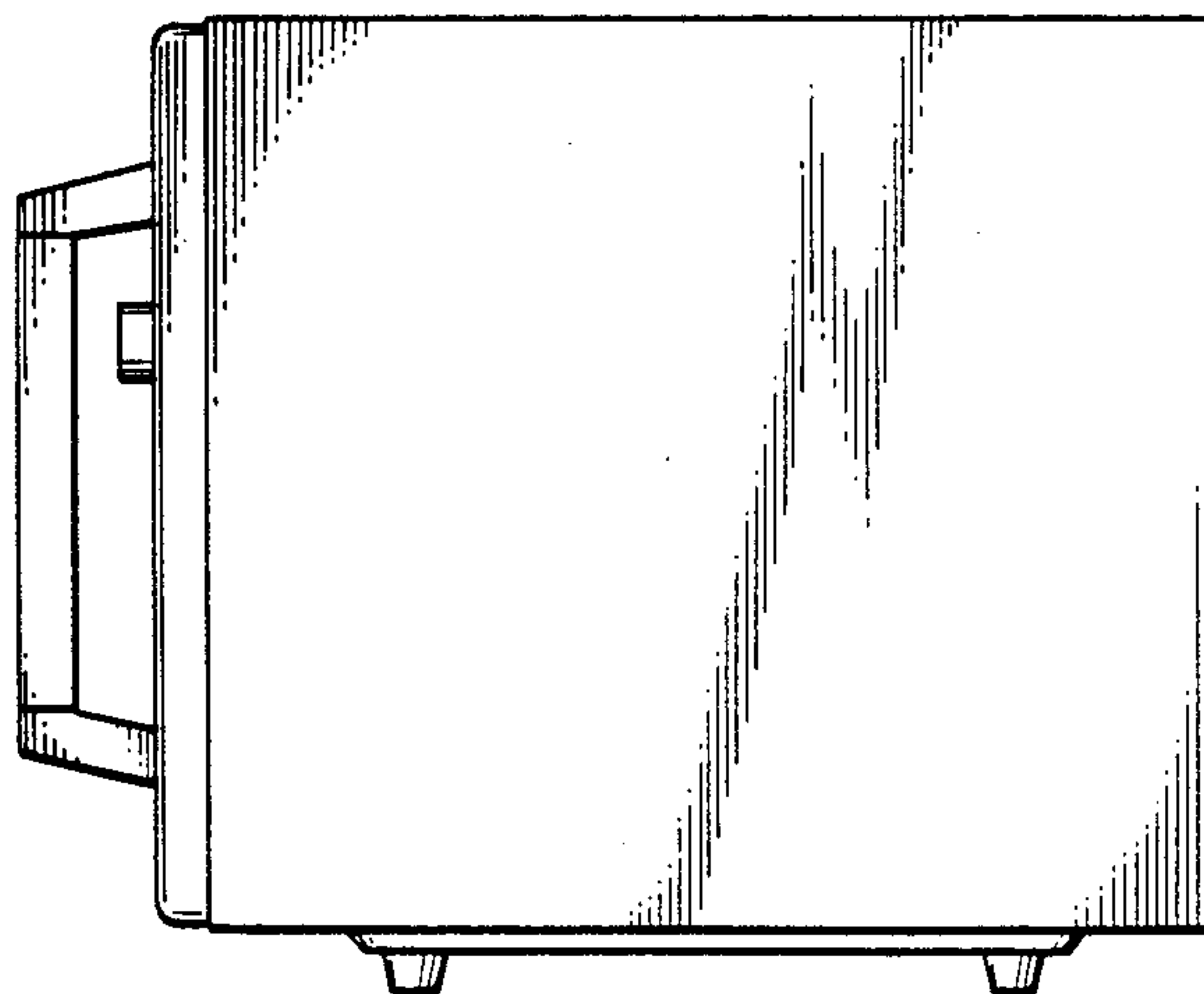
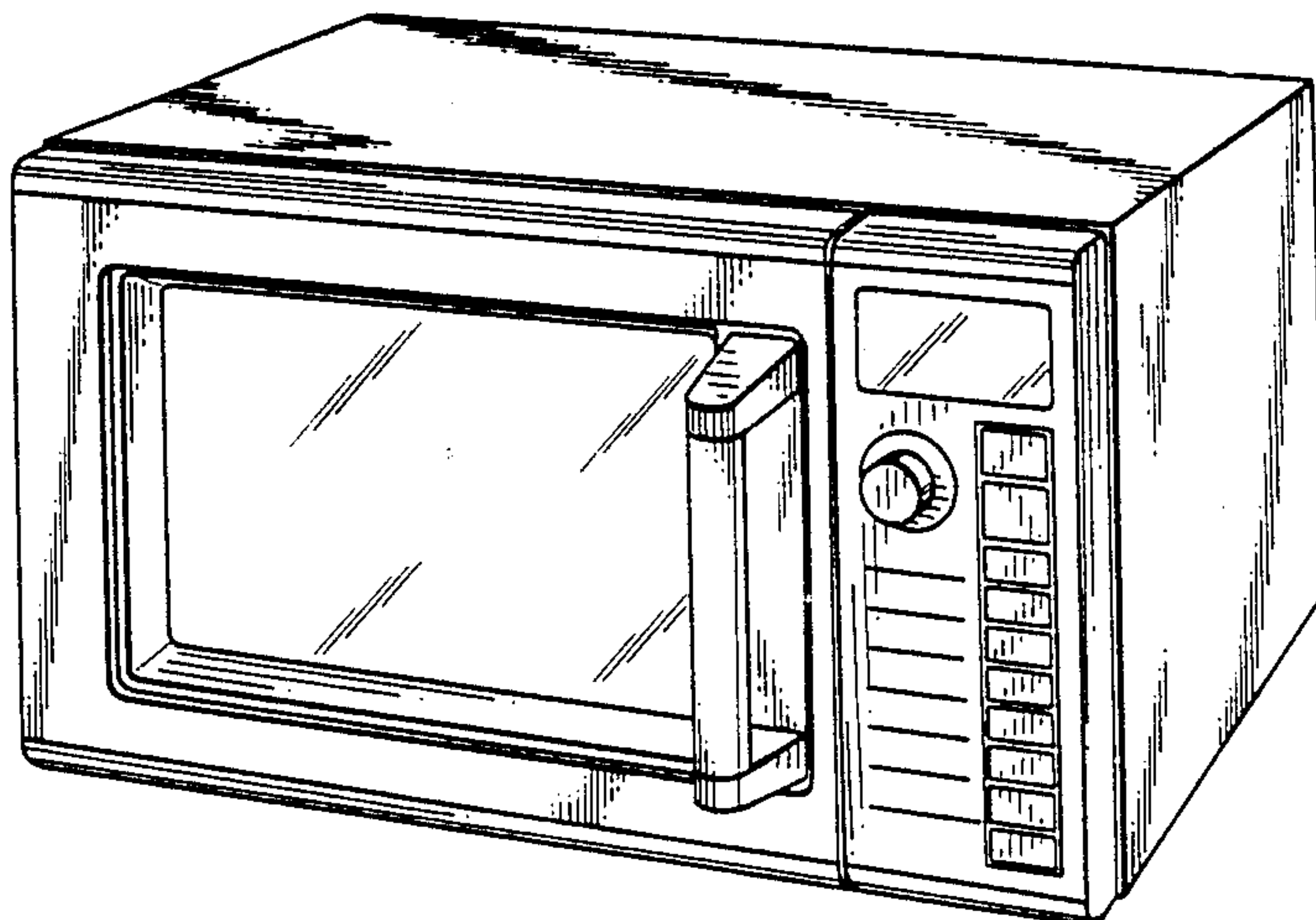


Fig. 1

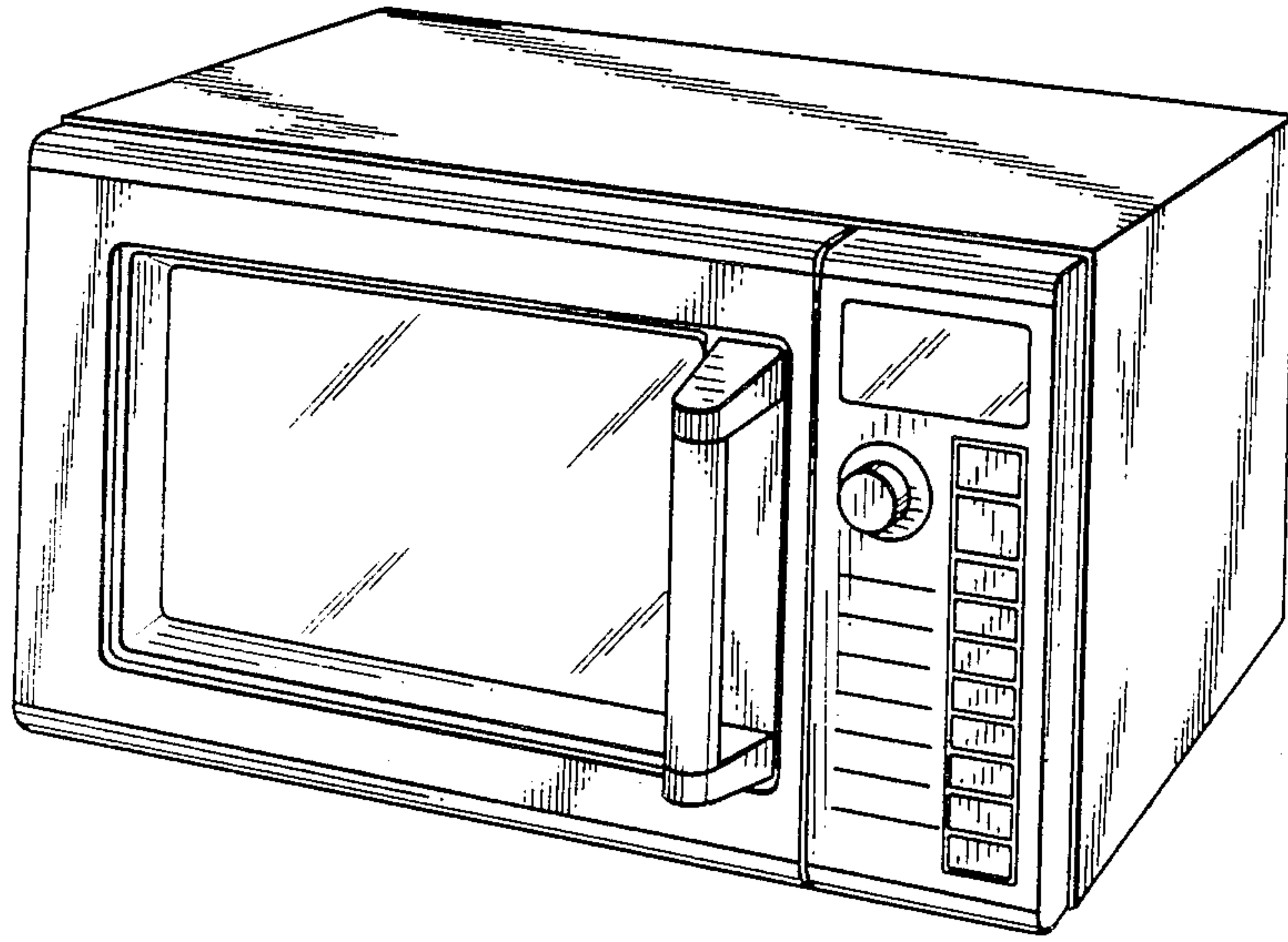


Fig. 2

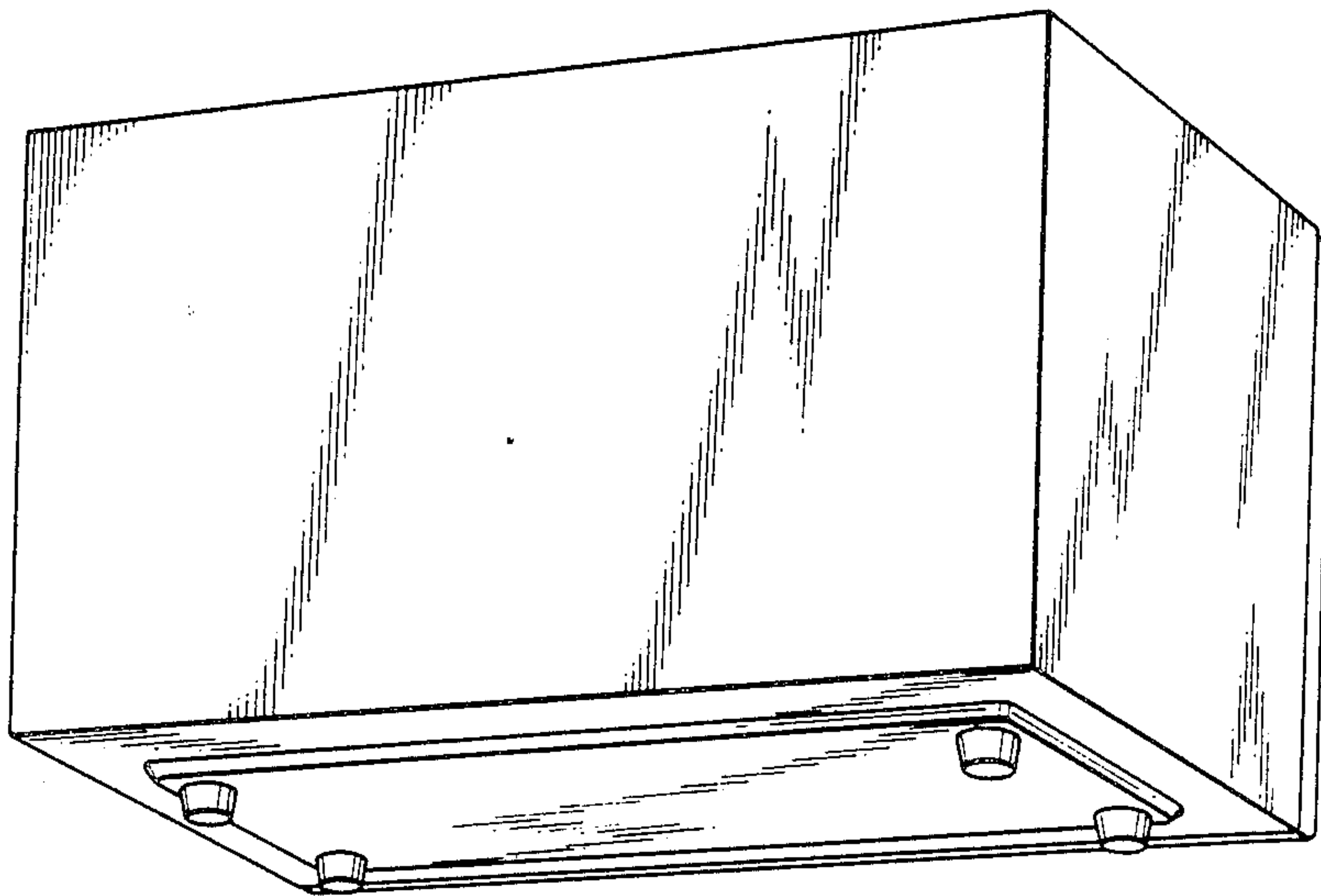


Fig. 3

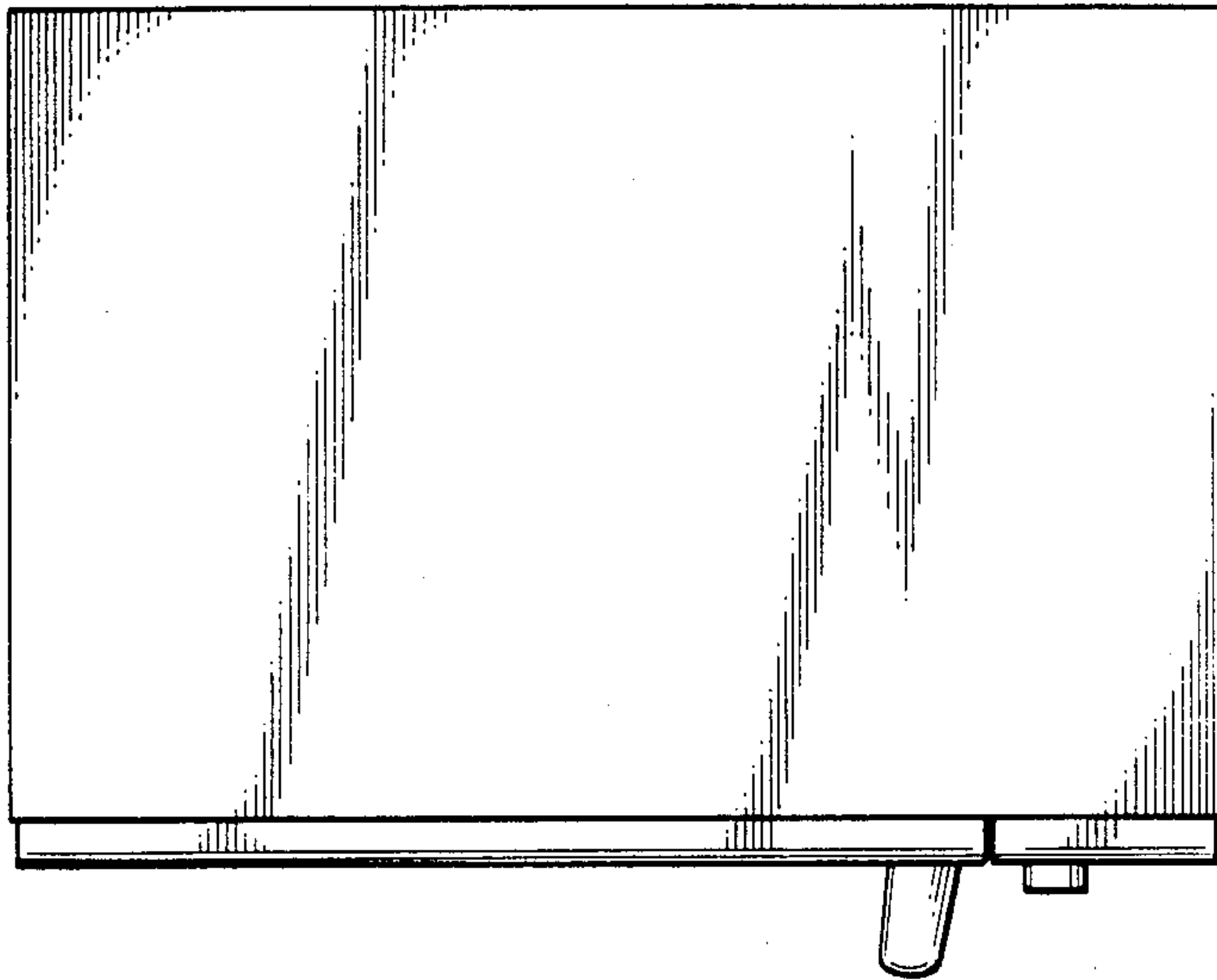


Fig. 4

