

[54] COFFEE AND ESPRESSO MAKER

[75] Inventors: Arthur Eugster, Romanshorn, Switzerland; Morris G. Grossman, Ft. Lee, N.J.; Alvin B. Finesman, New Canaan, Conn.; Carson E. Ahlman, Hackensack, N.J.

[73] Assignee: Salton, Inc., North Chicago, Ill.

[**] Term: 14 Years

[21] Appl. No.: 723,180

[22] Filed: Apr. 15, 1985

[52] U.S. Cl. D7/309; D7/312

[58] Field of Search D7/305, 308, 309, 311, D7/300, 312

1980, p. 54, top right—"Espresso-Cappucino Machine" from Rowoco.

Schoner Wohnen, Nov. 1982, p. 43sw, "Espresso-Kafee-Center" von Siemens.

Design 424, Apr. 1984, p. 39, panel #4 at bottom right, "Café Bar" designed by Carl Nielsen.

Primary Examiner—Winifred E. Herrmann

Attorney, Agent, or Firm—Ronald A. Sandler; Jerry A. Schulman; Timothy T. Patula

[57] CLAIM

The ornamental design for a coffee and espresso maker, as shown and described.

DESCRIPTION

FIG. 1 is a top plan view of a coffee and espresso maker showing our new design;

FIG. 2 is a front elevational view thereof;

FIG. 3 is a left side elevational view thereof; and

FIG. 4 is a right side elevational view thereof.

The back of the coffee and espresso maker is unornamented and the bottom of the coffee and espresso maker is flat and unornamented.

[56] References Cited

U.S. PATENT DOCUMENTS

D. 196,629	10/1963	Decarli	D7/309
D. 238,722	2/1976	Black	D7/309
D. 269,183	5/1983	van Asten	D7/309
D. 285,890	9/1986	Jack	D7/309

OTHER PUBLICATIONS

HFD-Retailing Home Furnishings, section one, Jun. 30,

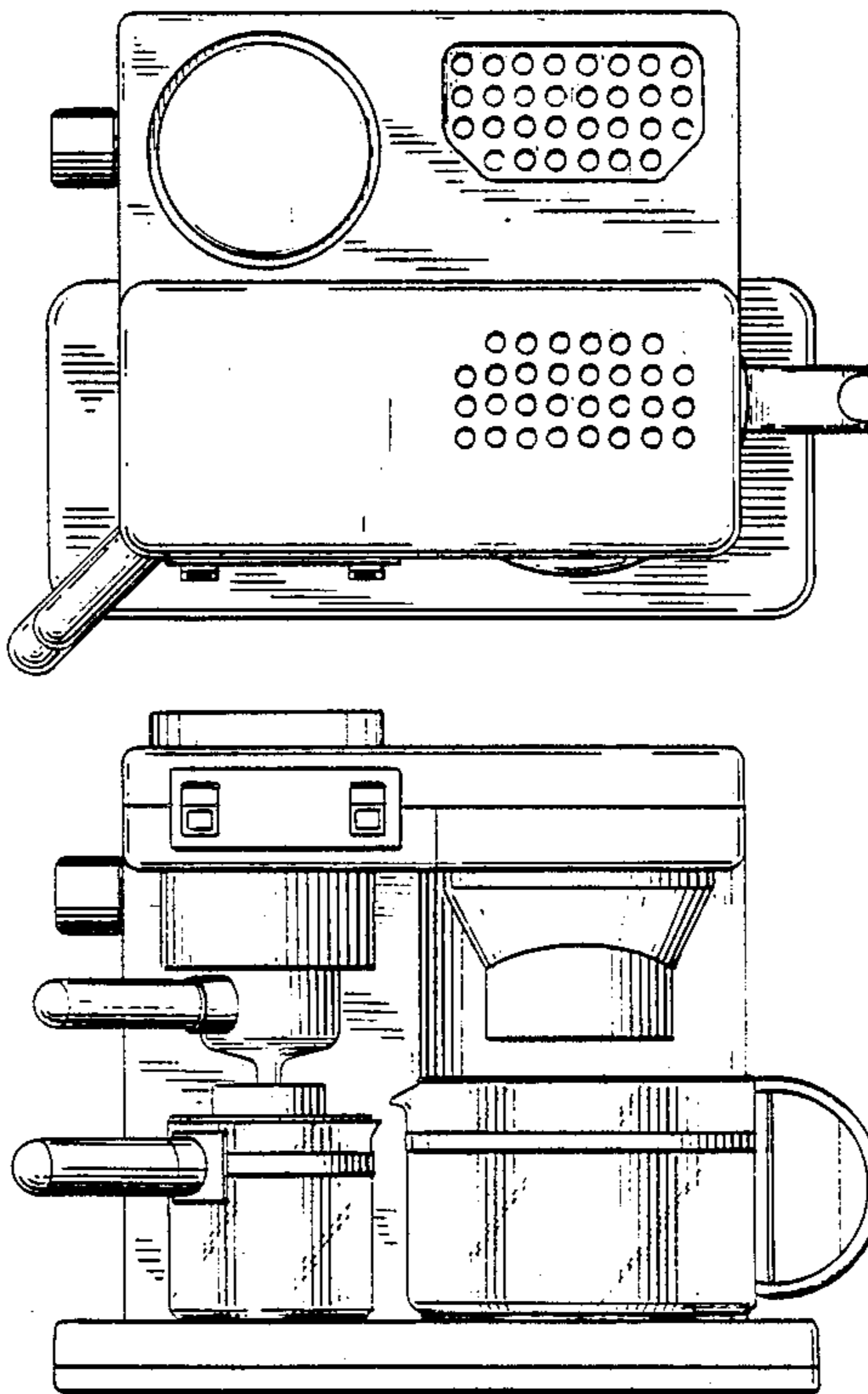


FIG. 1

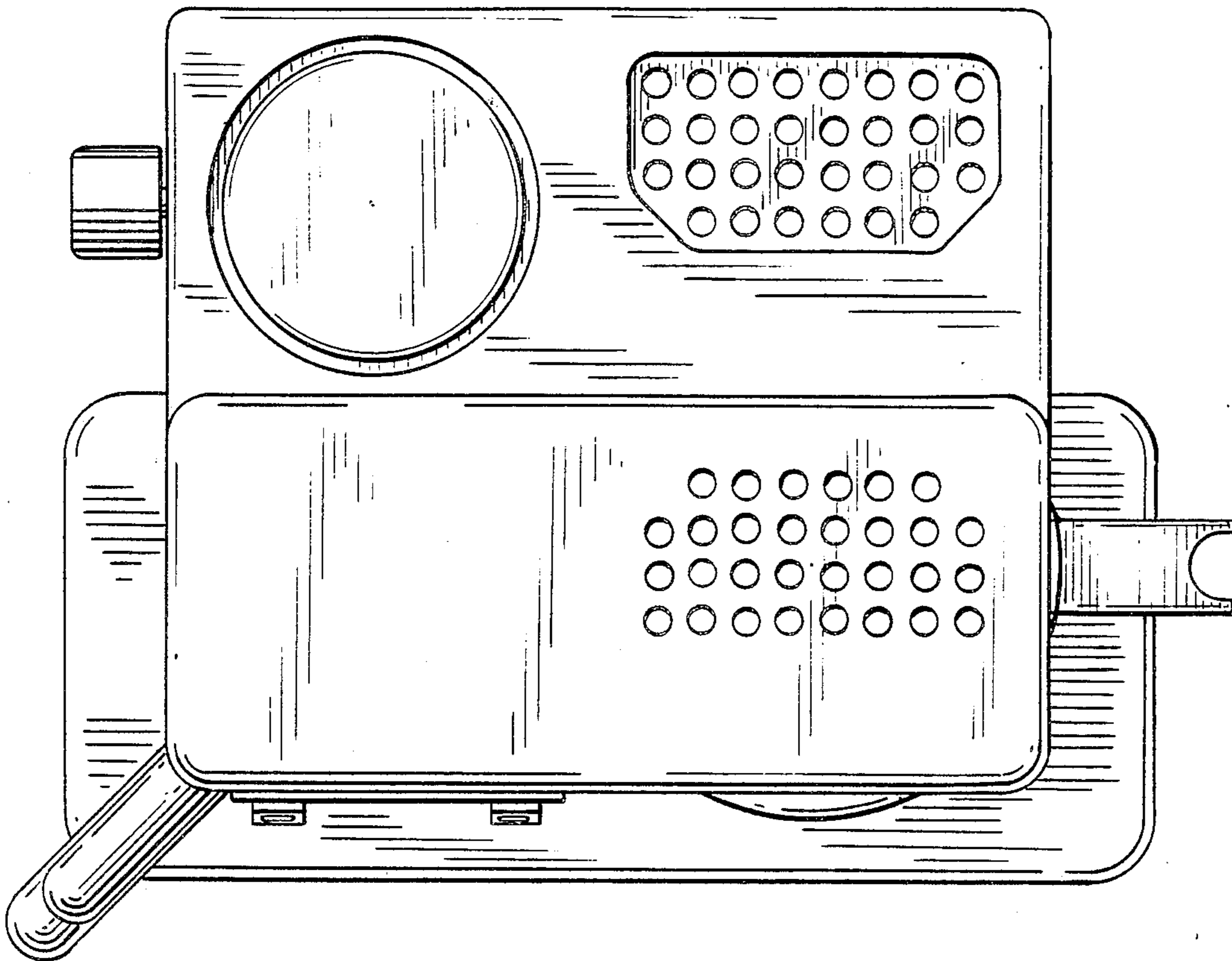


FIG. 2

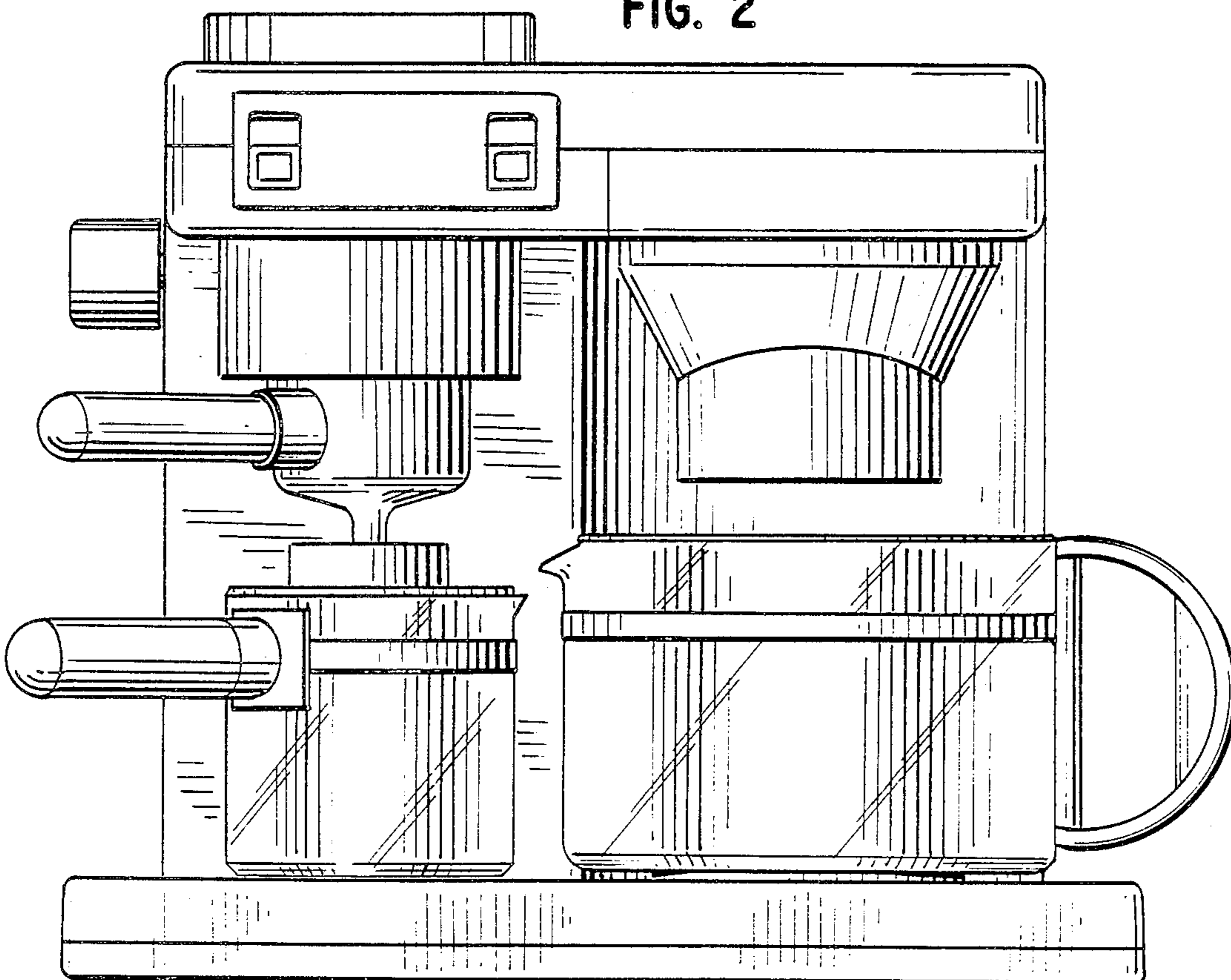


FIG. 3

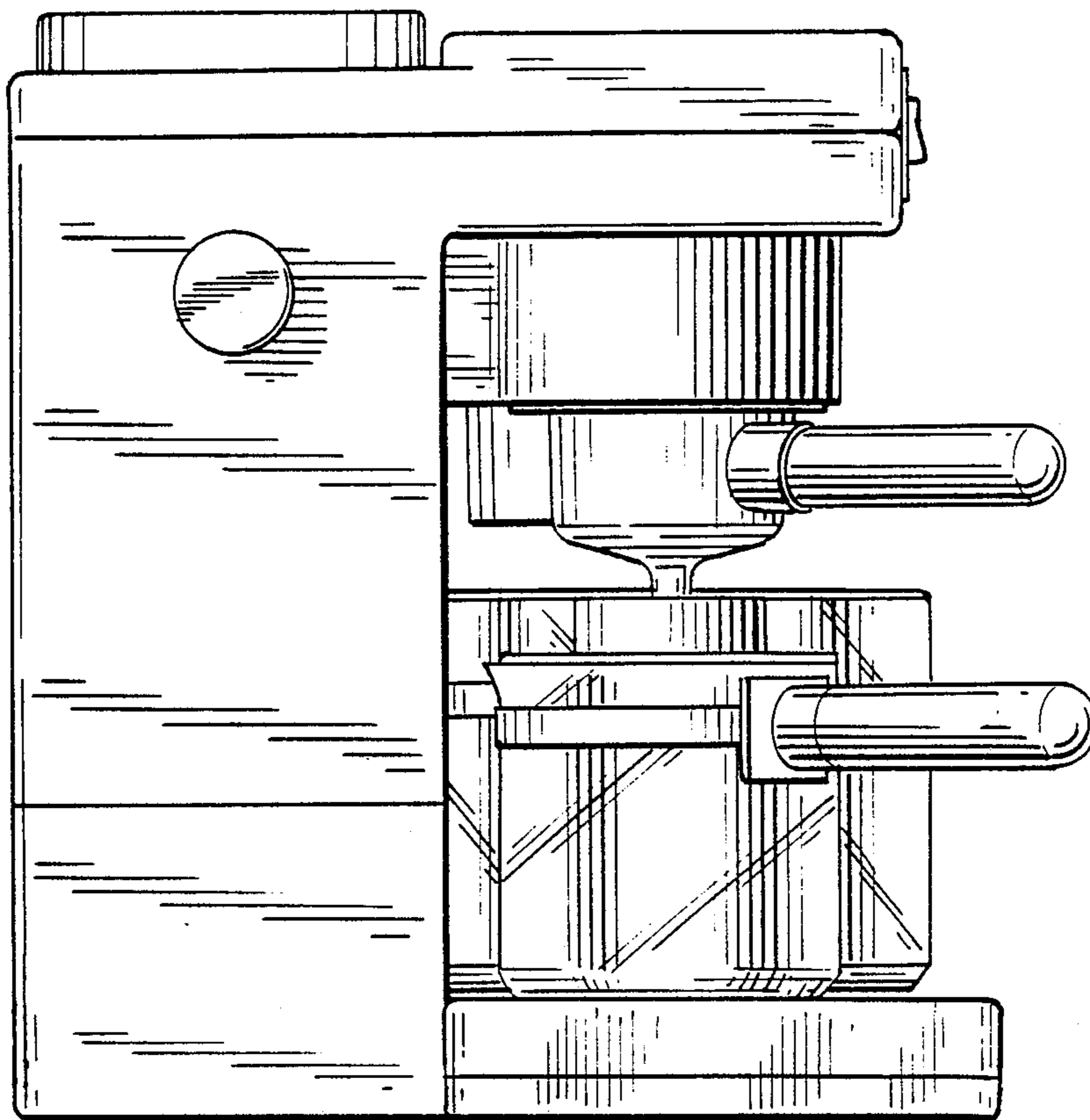


FIG. 4

