

# United States Patent [19]

Ferrin et al.

[11] Patent Number: Des. 295,485

[45] Date of Patent: \*\* May 3, 1988

[54] COMBINED CAKE CUTTER AND SERVER

[76] Inventors: Patricia A. Ferrin; Kenneth M. Ferrin, both of Gracy La., East Hampton, N.Y. 11937

[\*\*] Term: 14 Years

[21] Appl. No.: 737,508

[22] Filed: May 24, 1985

[52] U.S. Cl. .... D7/142; D7/106

[58] Field of Search ..... D7/142, 106, 105; 294/7, 99.1; 30/114, 124

[56] **References Cited**

**U.S. PATENT DOCUMENTS**

D. 248,271 6/1978 McGee, III ..... D7/142  
593,386 11/1897 Williams ..... 30/114 X  
2,264,486 12/1941 Smith et al. .... 30/114  
2,804,335 8/1957 Stillgebauer ..... D7/142 X

2,841,868 7/1958 O'Brien ..... D7/142 X  
4,553,325 11/1985 Allahverdian ..... 30/114

*Primary Examiner*—Winifred E. Herrmann  
*Attorney, Agent, or Firm*—Bauer & Schaffer

[57] **CLAIM**

The ornamental design for a combined cake cutter and server, as shown and described.

**DESCRIPTION**

FIG. 1 is a top, front, and right side perspective view of a combined cake cutter and server showing our new design;

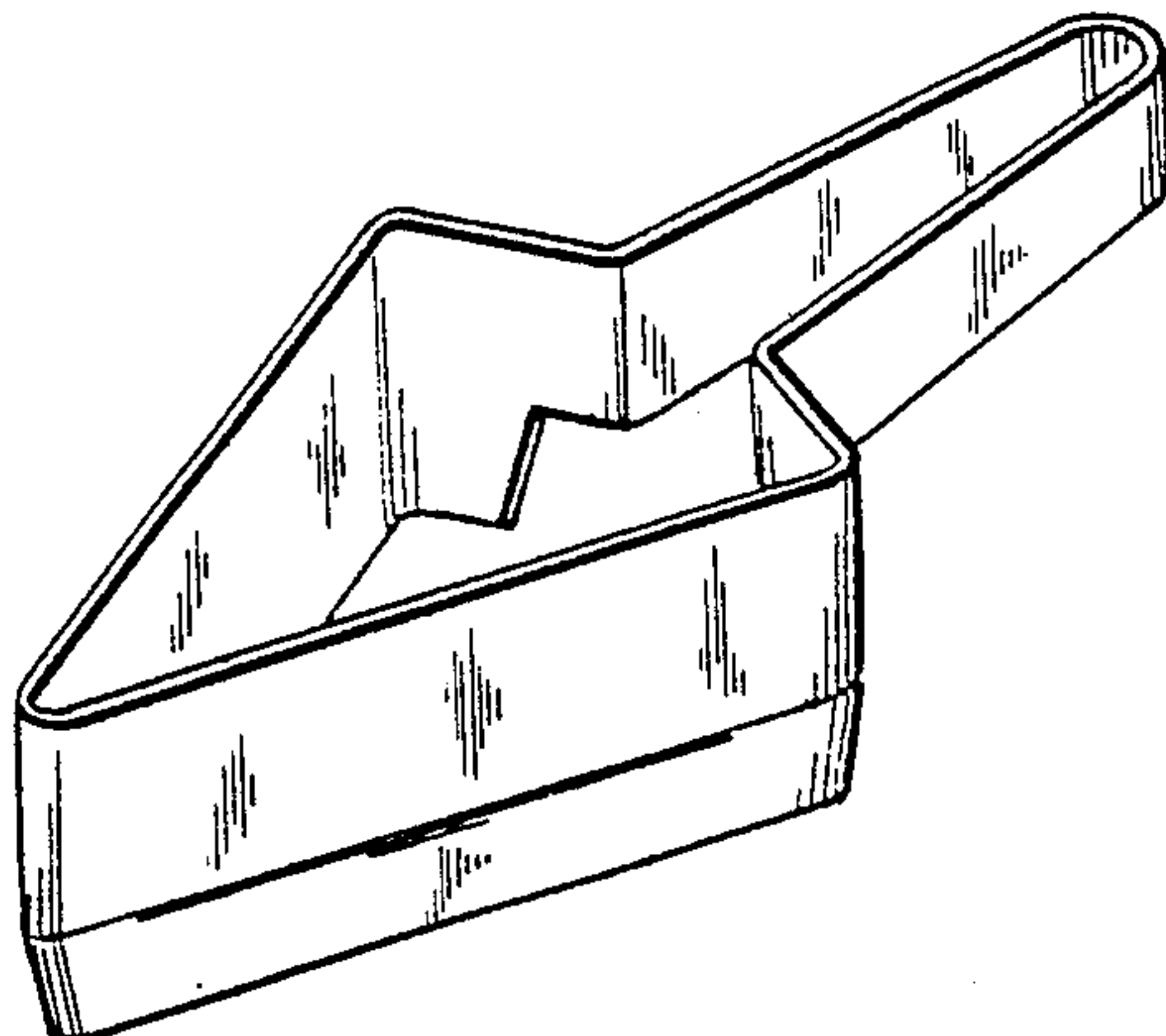
FIG. 2 is a top plan view thereof;

FIG. 3 is a front elevational view thereof;

FIG. 4 is a right side elevational view thereof, the side opposite is a mirror image thereof;

FIG. 5 is a rear elevational view thereof; and

FIG. 6 is a bottom plan view thereof.



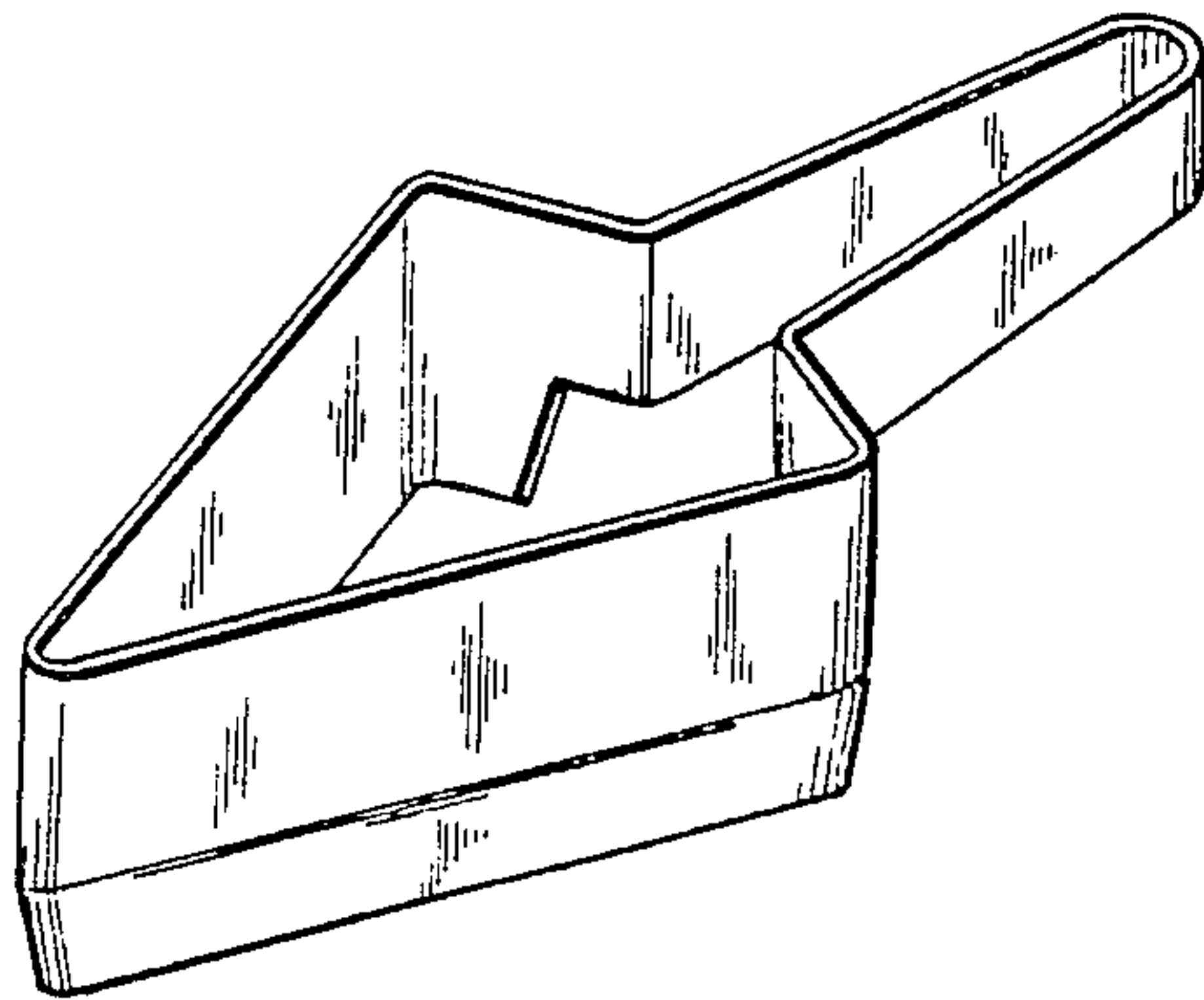


Fig. 1

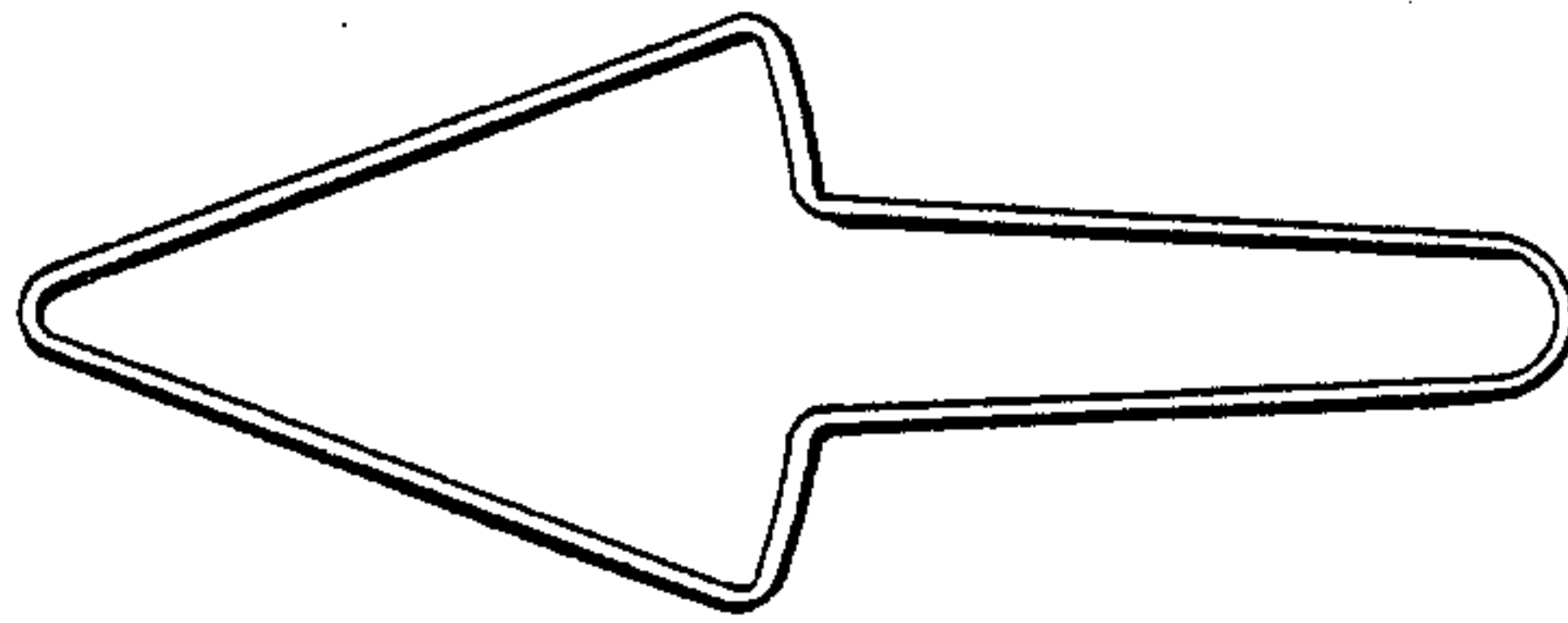


Fig. 2

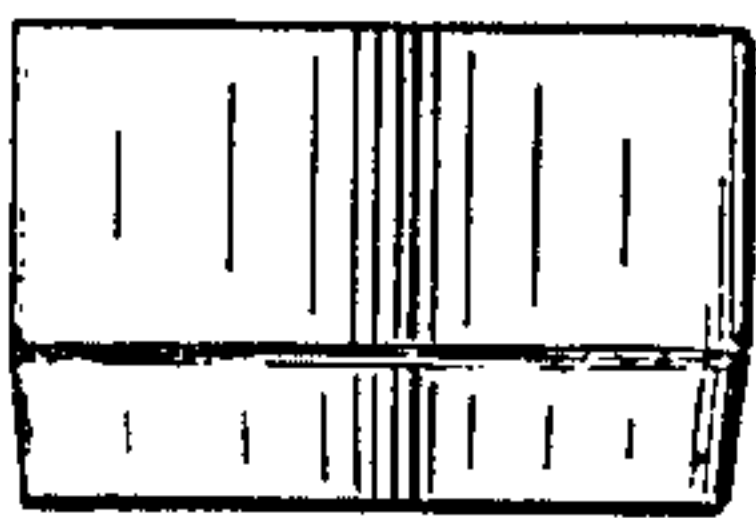


Fig. 3

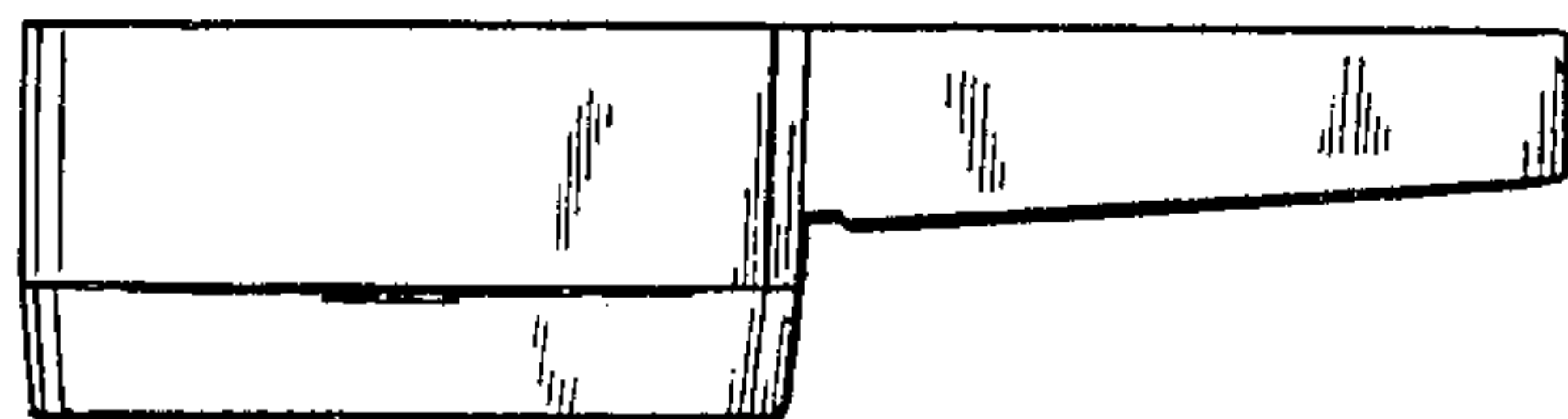


Fig. 4

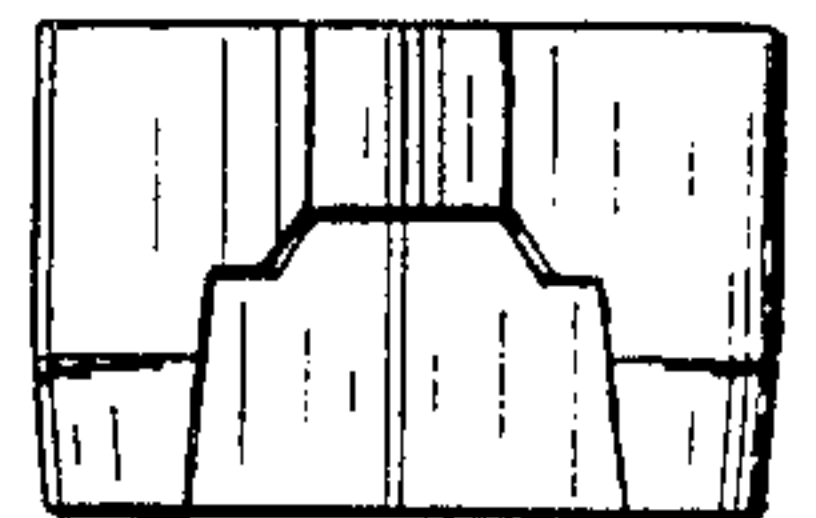


Fig. 5

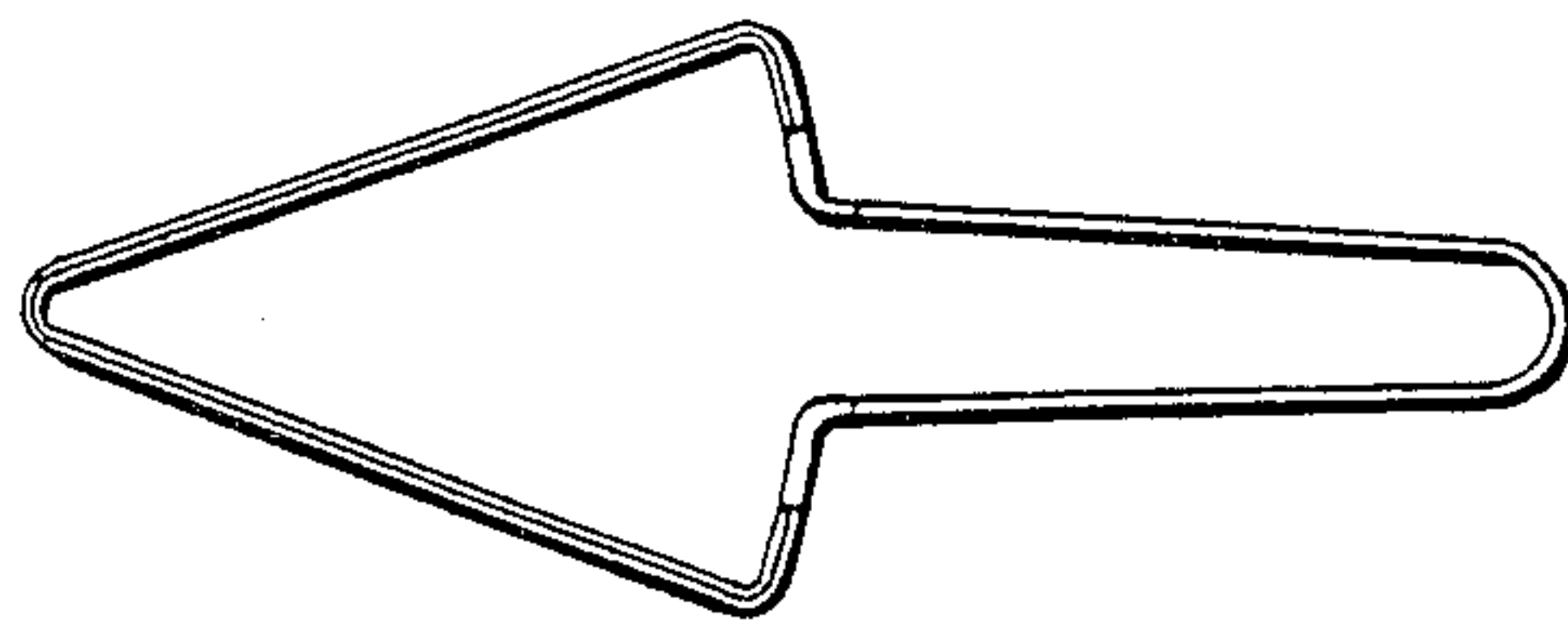


Fig. 6