

[54] CENTRIFUGAL FRUIT AND VEGETABLE JUICE EXTRACTOR

[75] Inventor: Salvador Biarnes Bulto, Barcelona, Spain

[73] Assignee: Moulinex, Societe Anonyme, Bagnolet, France

[**] Term: 14 Years

[21] Appl. No.: 749,404

[22] Filed: Jun. 27, 1985

[30] Foreign Application Priority Data

Jan. 24, 1985 [FR] France 850277

[52] U.S. Cl. D7/49

[58] Field of Search D7/48, 49, 300, 306; 99/485, 495, 501-506

[56] References Cited PUBLICATIONS

Home Furnishings Daily, 3/2/61, p. 19, Electric Juicer-ator.

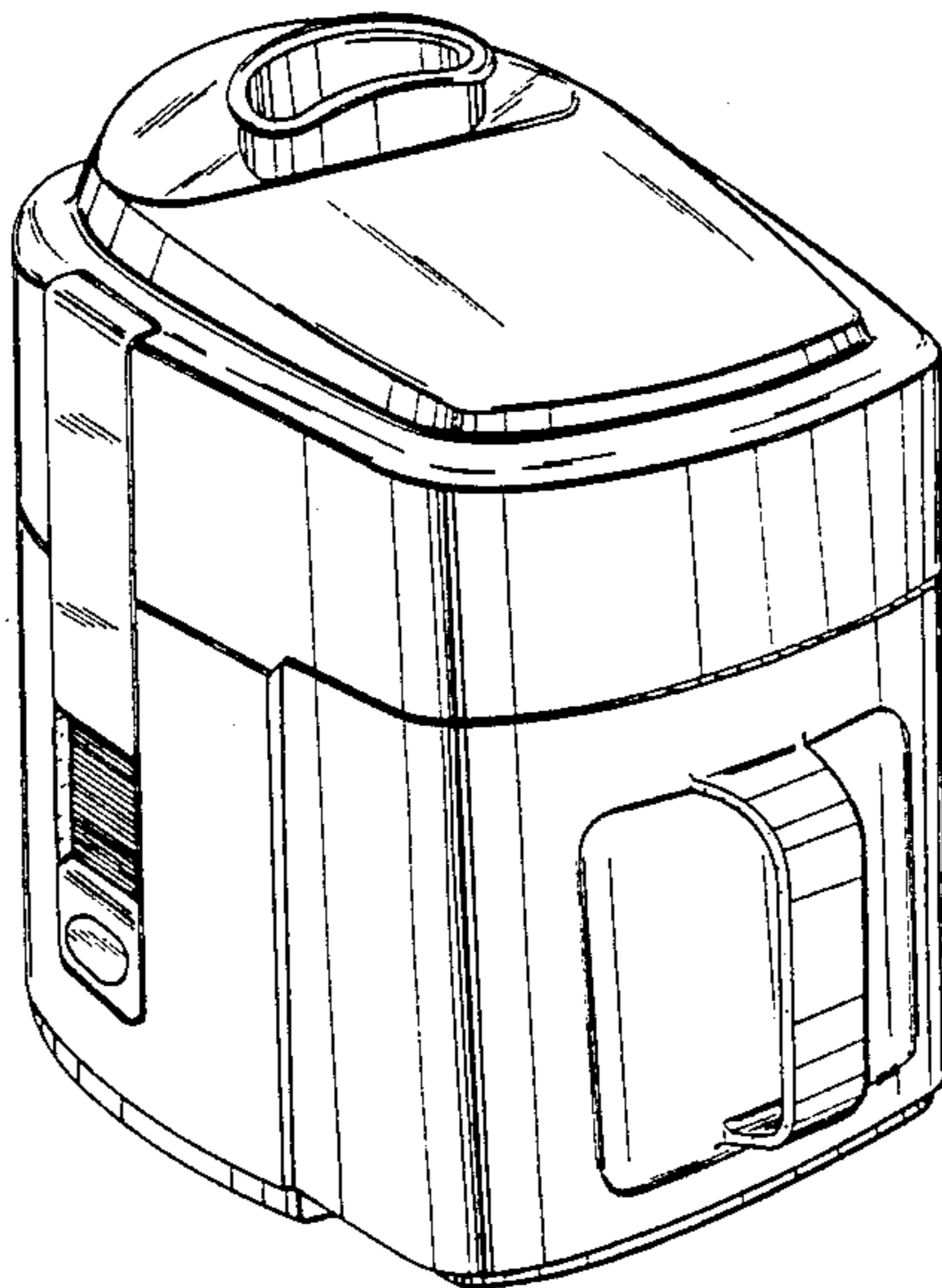
Primary Examiner—Bernard Ansher
Assistant Examiner—Terry Pfeffer
Attorney, Agent, or Firm—Young & Thompson

[57] CLAIM

The ornamental design for a centrifugal fruit and vegetable juice extractor, as shown.

DESCRIPTION

FIG. 1 is a perspective view of a centrifugal fruit and vegetable juice extractor showing my new design; FIG. 2 is a front elevational view thereof; FIG. 3 is a rear elevational view thereof; FIG. 4 is a left-side elevational view thereof; FIG. 5 is a right-side elevational view thereof; FIG. 6 is a top plan view thereof; and FIG. 7 is a bottom plan view thereof.



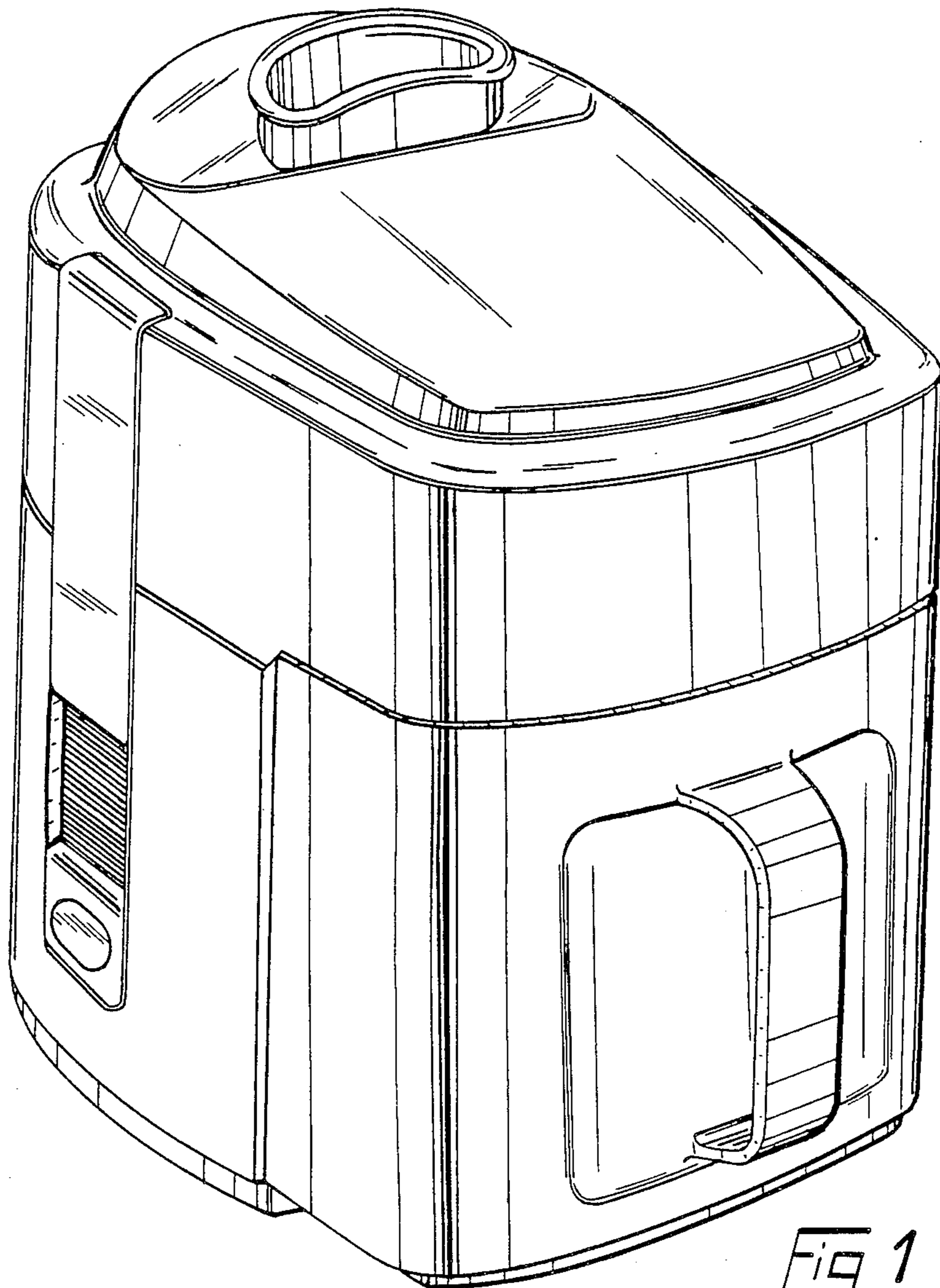


fig 1

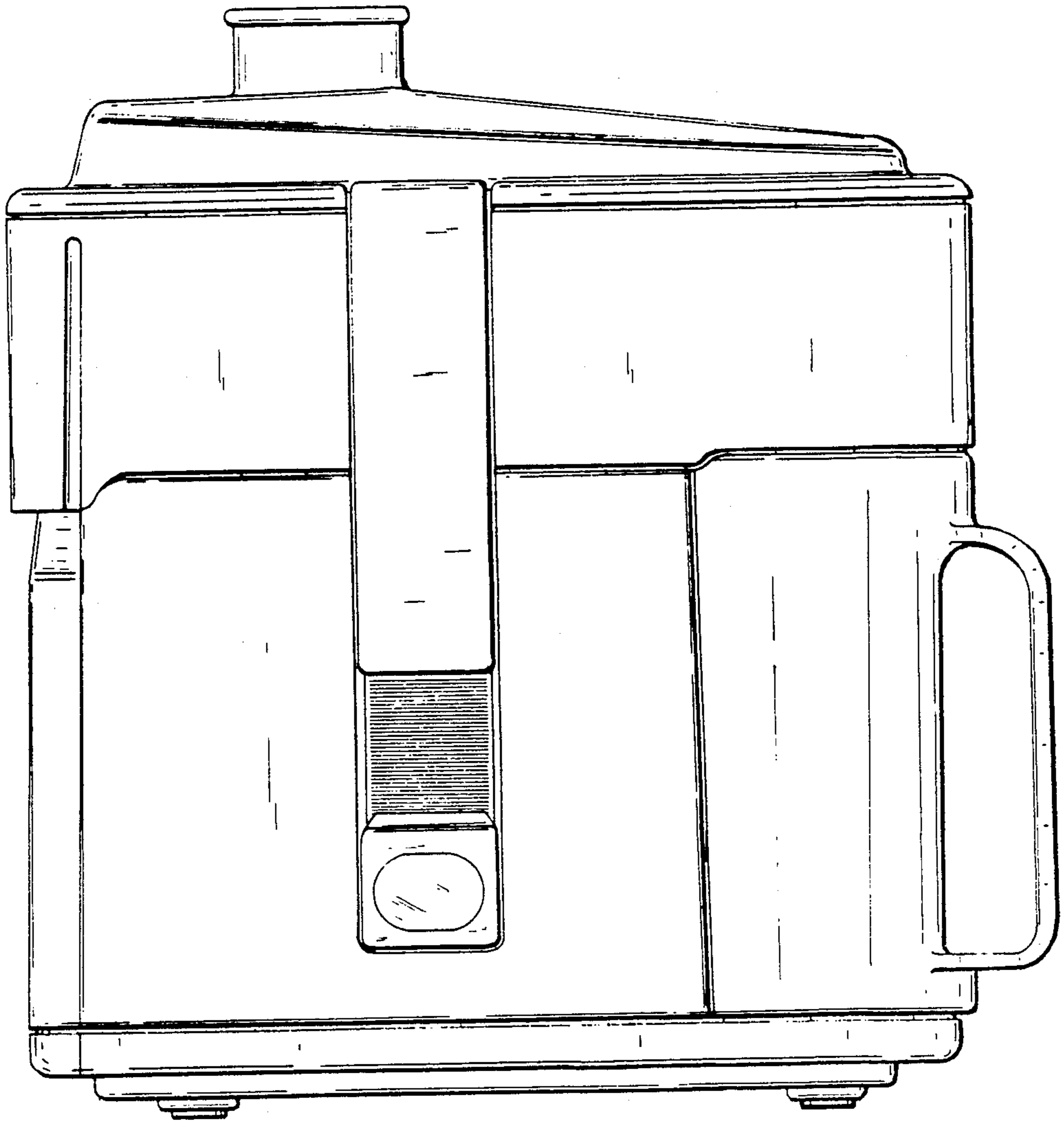


fig 2

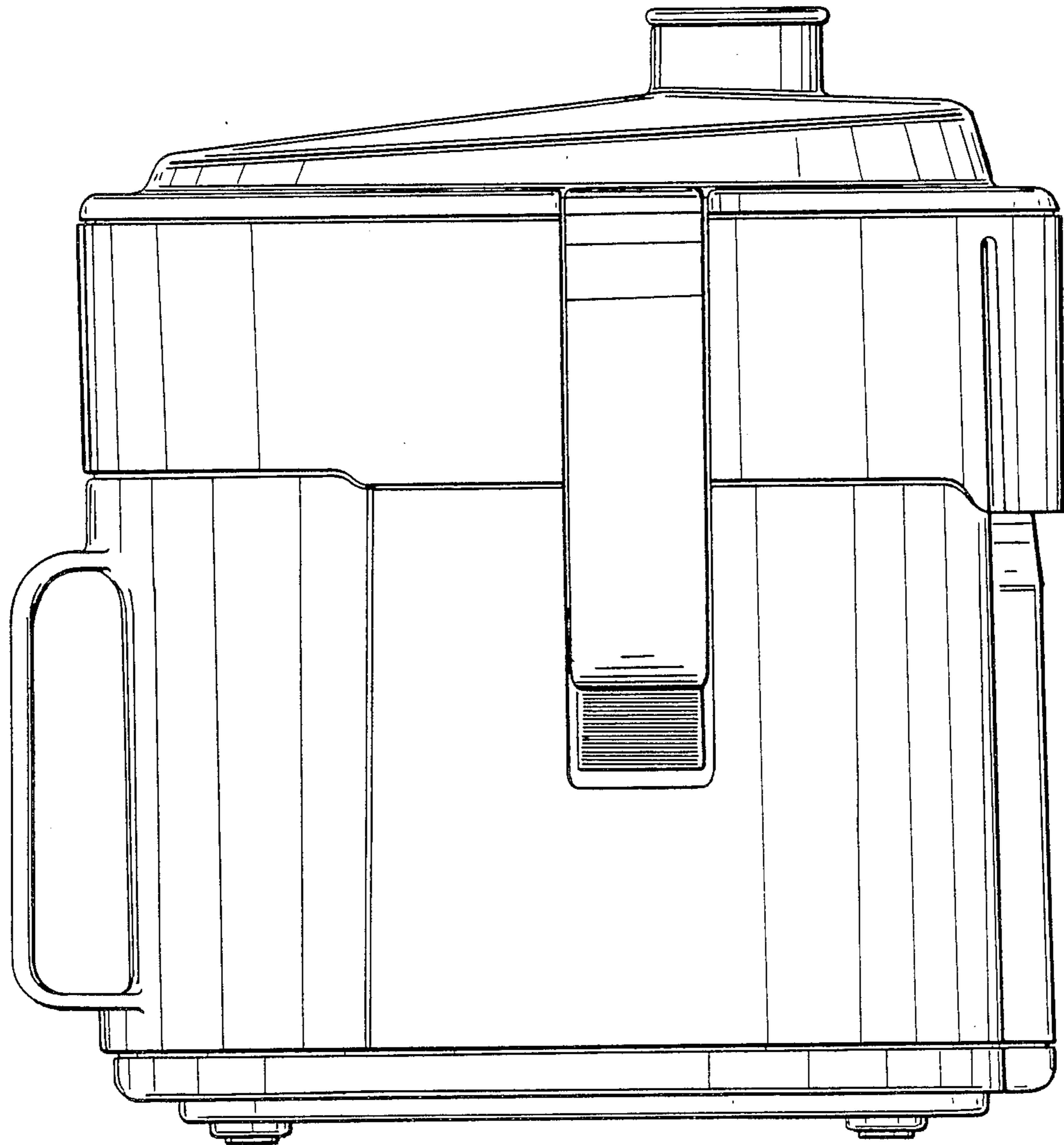


Fig 3

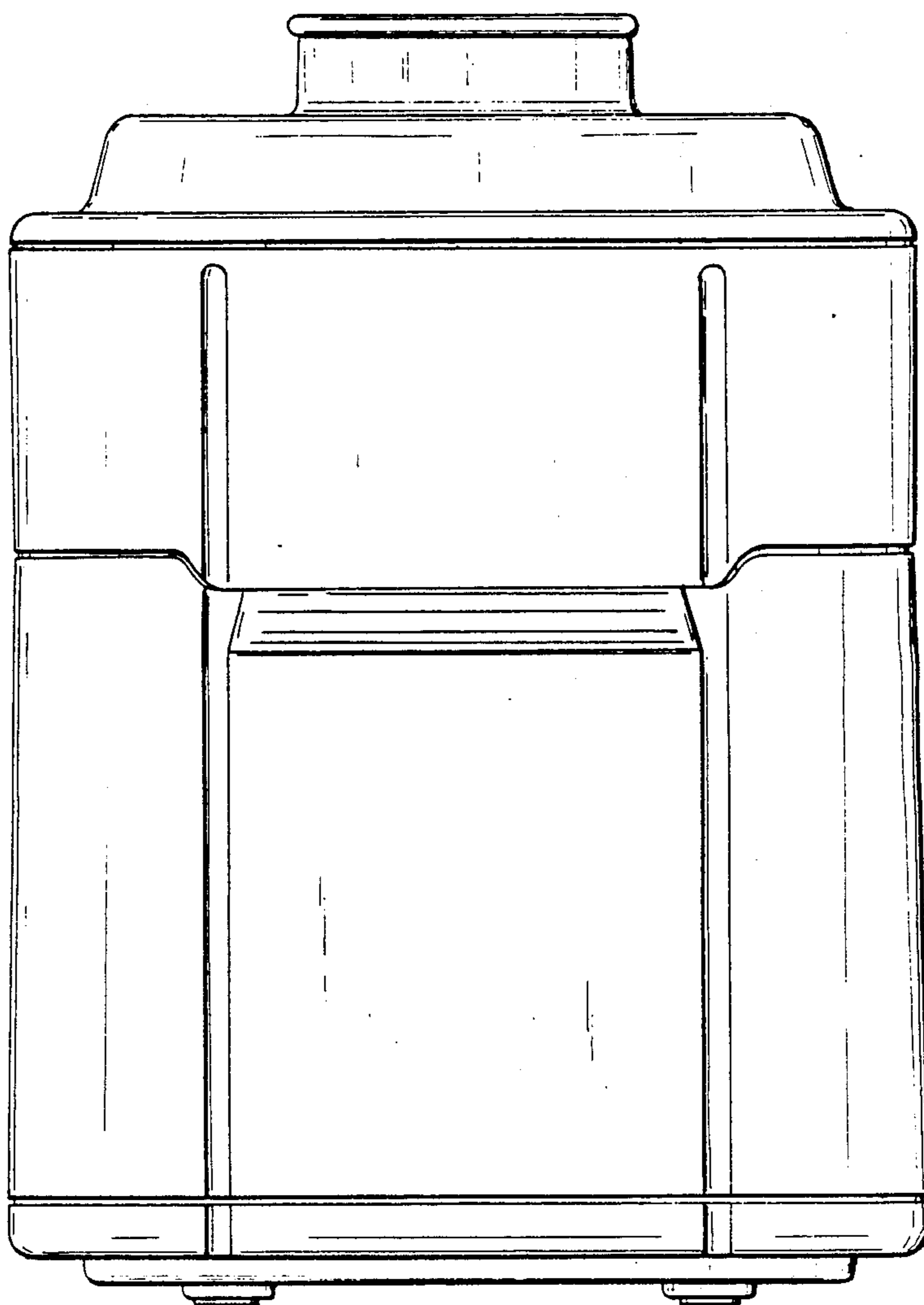


Fig 4

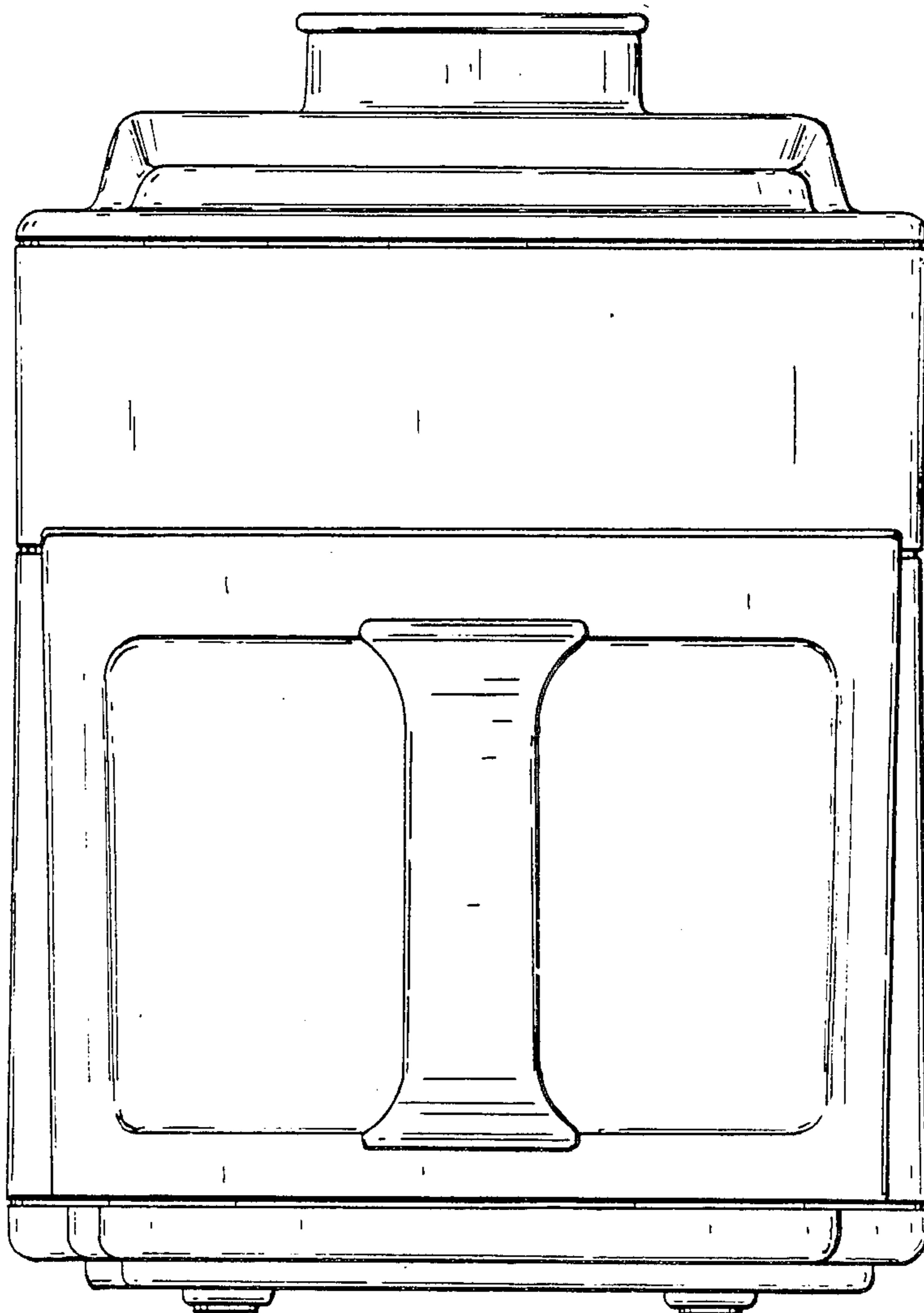


Fig 5

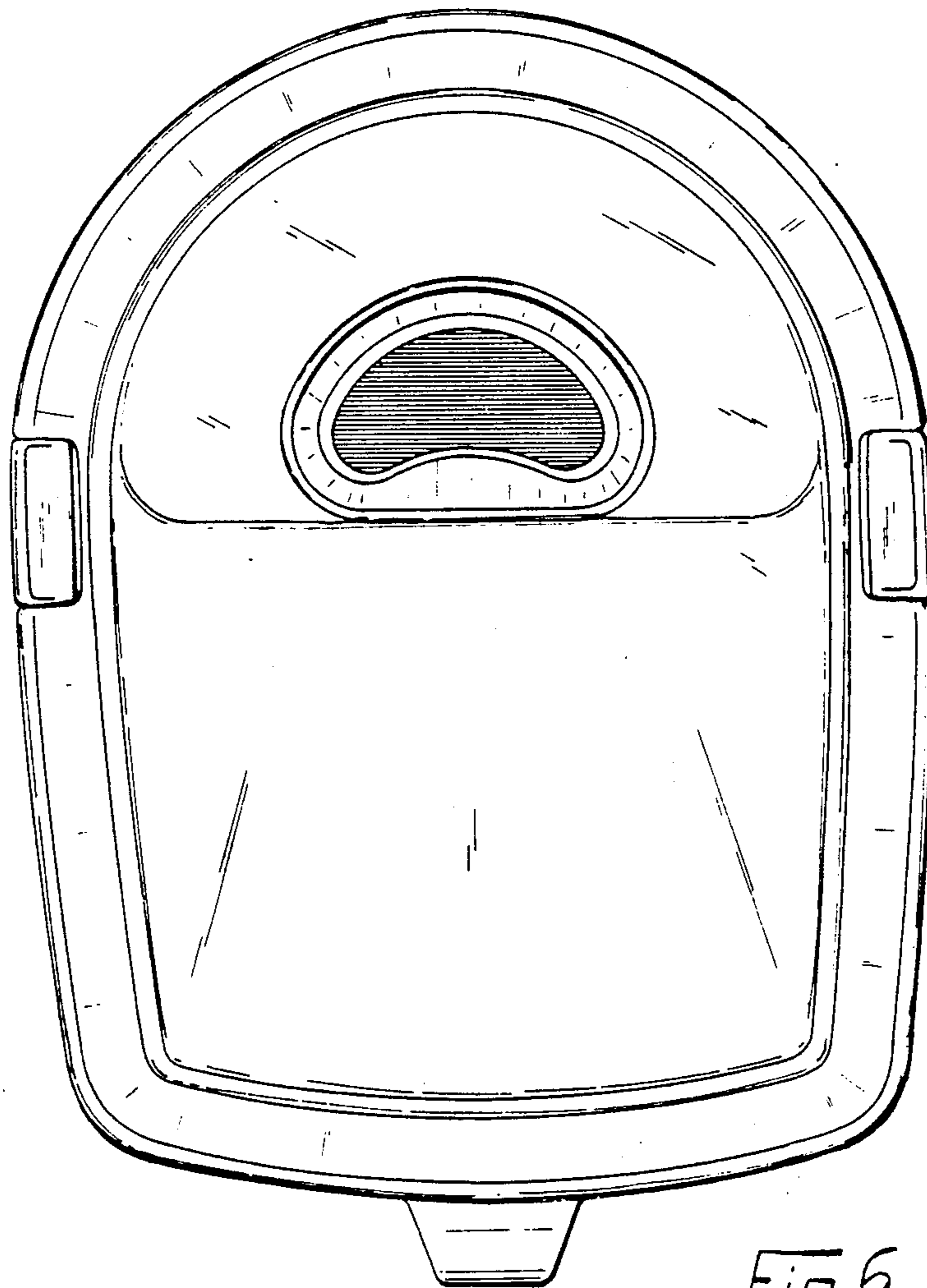


Fig 6

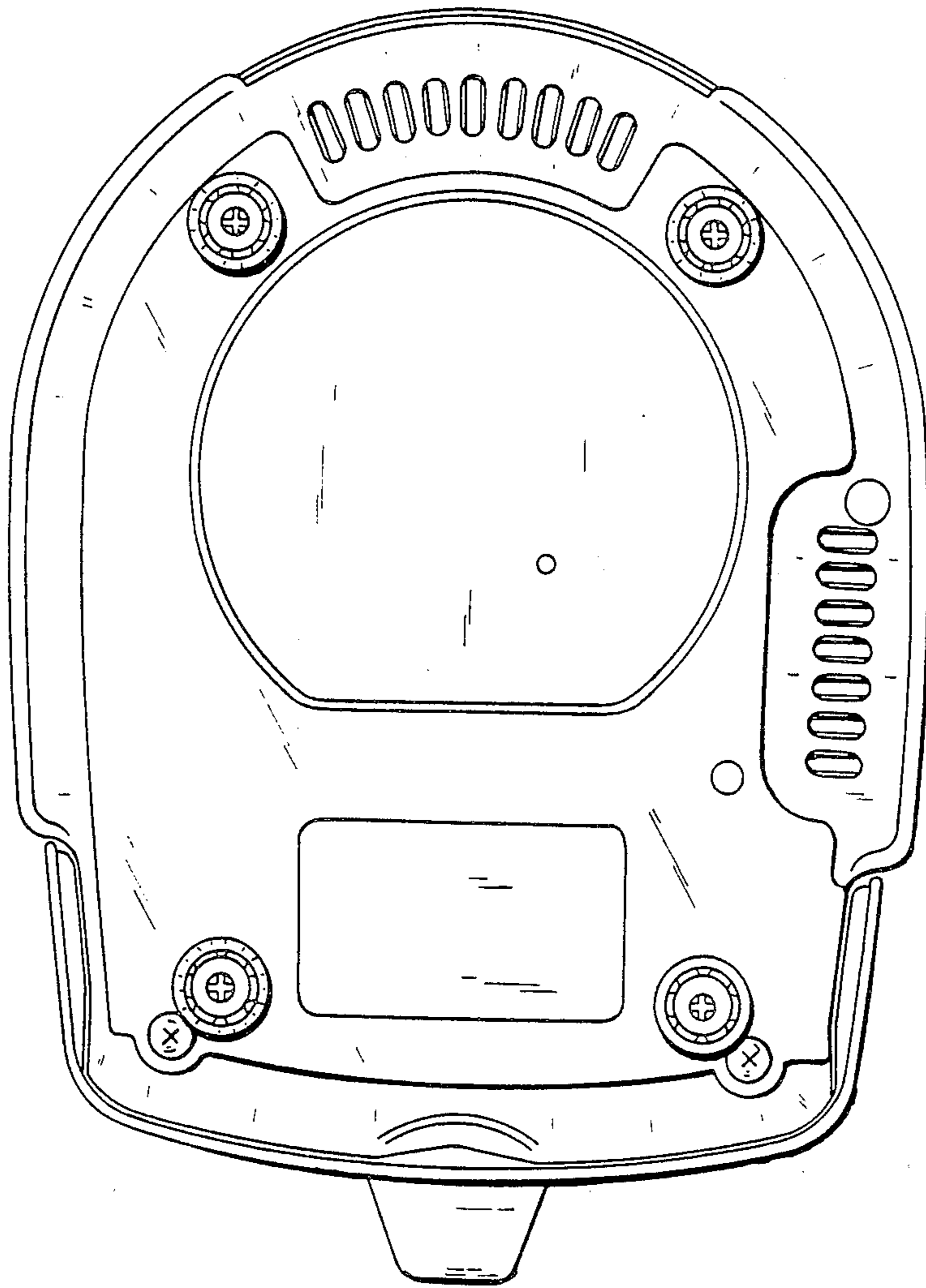


Fig 7