

[54] WALL MOUNTED SHELF FOR BEVERAGE SUPPLIES

[75] Inventor: Rudolf T. F. Plaut, Cardiff, Great Britain

[73] Assignee: Northmace Limited, Cardiff, Great Britain

[**] Term: 14 Years

[21] Appl. No.: 758,977

[22] Filed: Jul. 25, 1985

[30] Foreign Application Priority Data

Apr. 18, 1985 [GB] United Kingdom 1026261

[52] U.S. Cl. D6/574

[58] Field of Search D6/553, 567, 573, 574, D6/474; D7/75, 72, 70, 71, 38; 211/13

[56] References Cited

U.S. PATENT DOCUMENTS

D. 49,875 11/1916 Aulicino et al. D7/75

D. 146,551	4/1947	Adams	D7/52
D. 175,516	9/1955	Lively	D6/574
D. 210,478	3/1968	Fehn	D6/474
D. 232,285	8/1974	Fischer	D6/574
D. 281,041	10/1985	Plaut	D6/567
3,401,858	9/1968	White et al.	D7/38 X

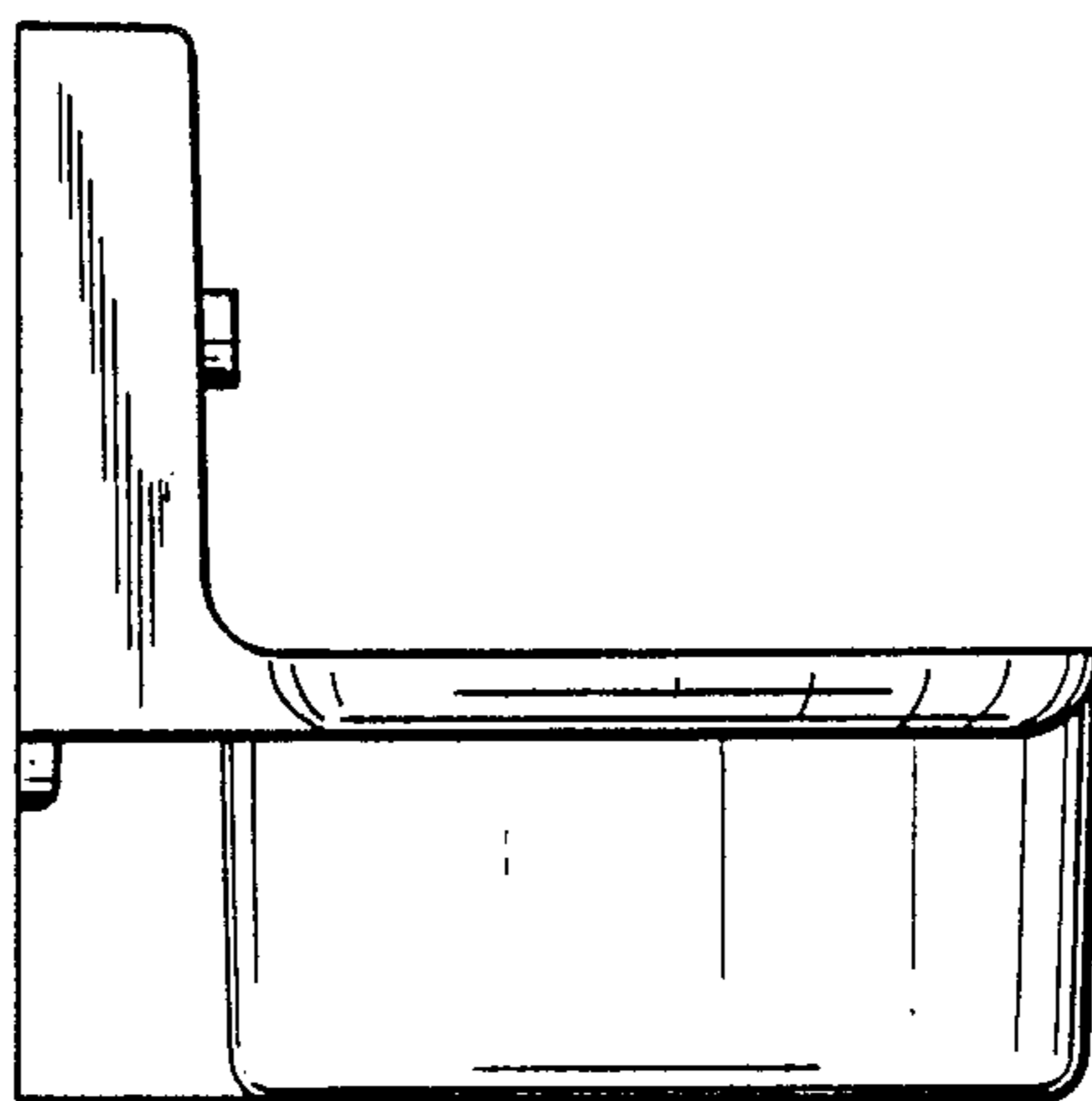
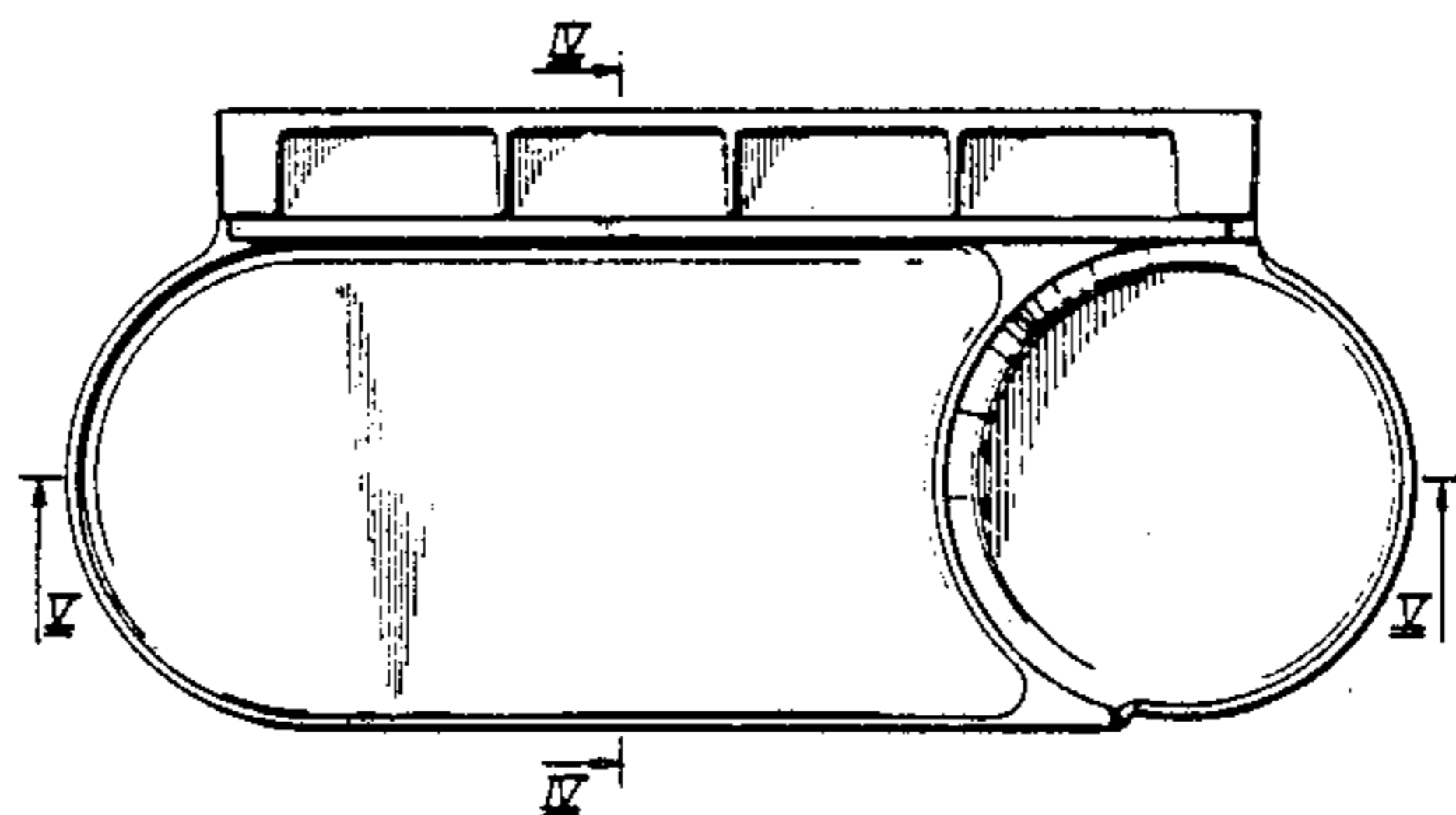
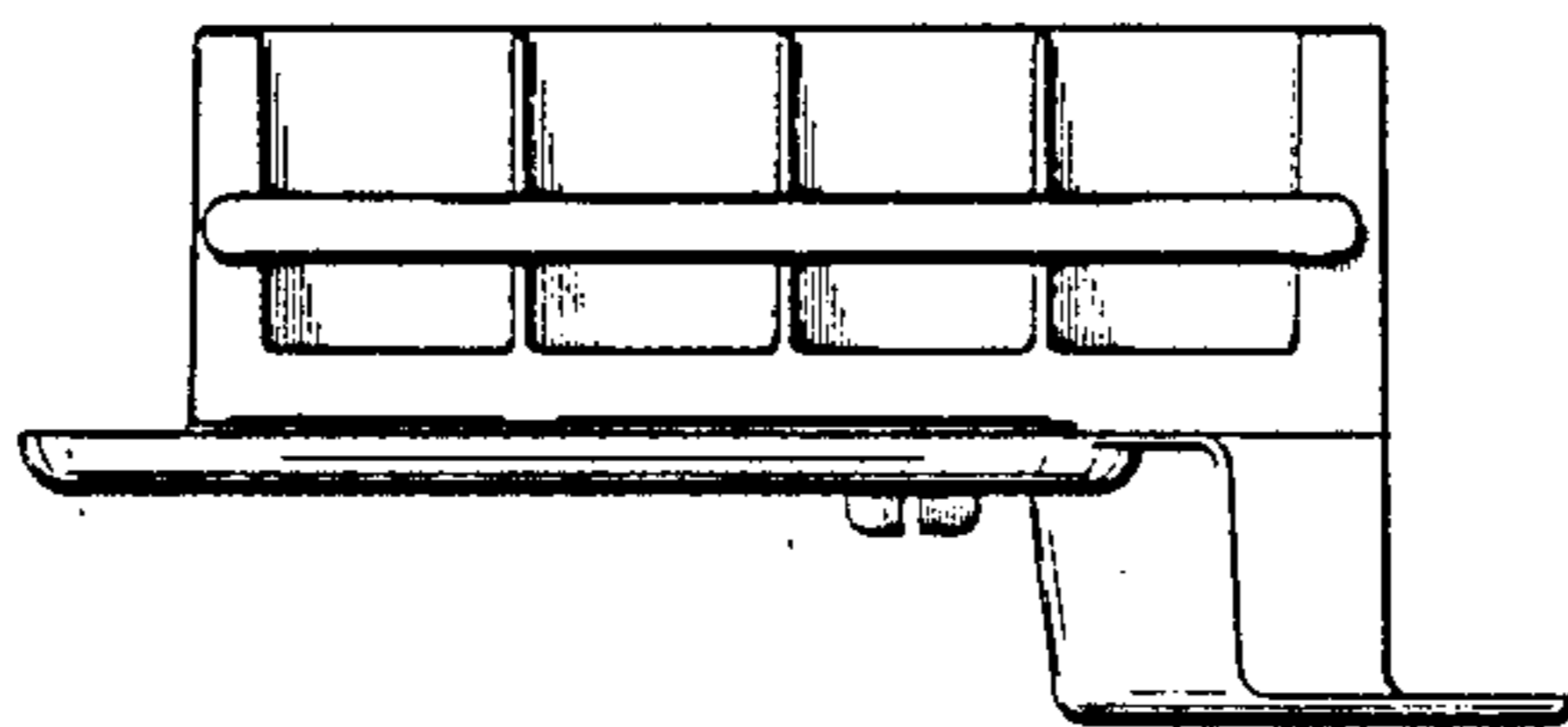
Primary Examiner—Carmen H. Vales
Attorney, Agent, or Firm—Young & Thompson

[57] CLAIM

The ornamental design for a wall mounted shelf for beverage supplies, as shown.

DESCRIPTION

FIG. 1 is a front elevational view of a wall mounted shelf for beverage supplies showing my new design; FIG. 2 is a top plan view thereof; FIG. 3 is a left side elevational view thereof; FIG. 4 is a cross sectional view taken along line IV—IV of FIG. 2; FIG. 5 is a longitudinal sectional view taken along line V—V of FIG. 2; and FIG. 6 is a rear elevational view thereof.



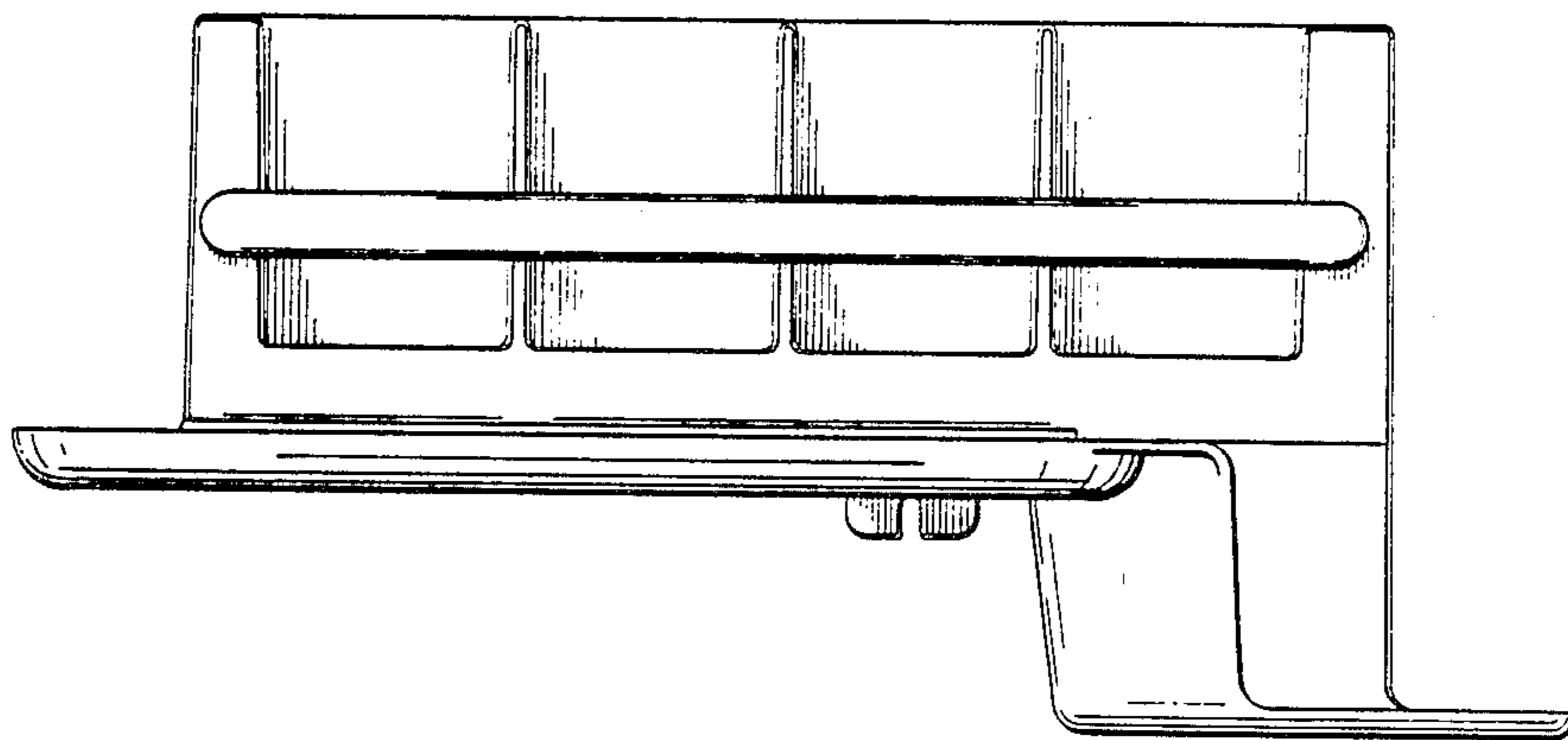


FIG. 1.

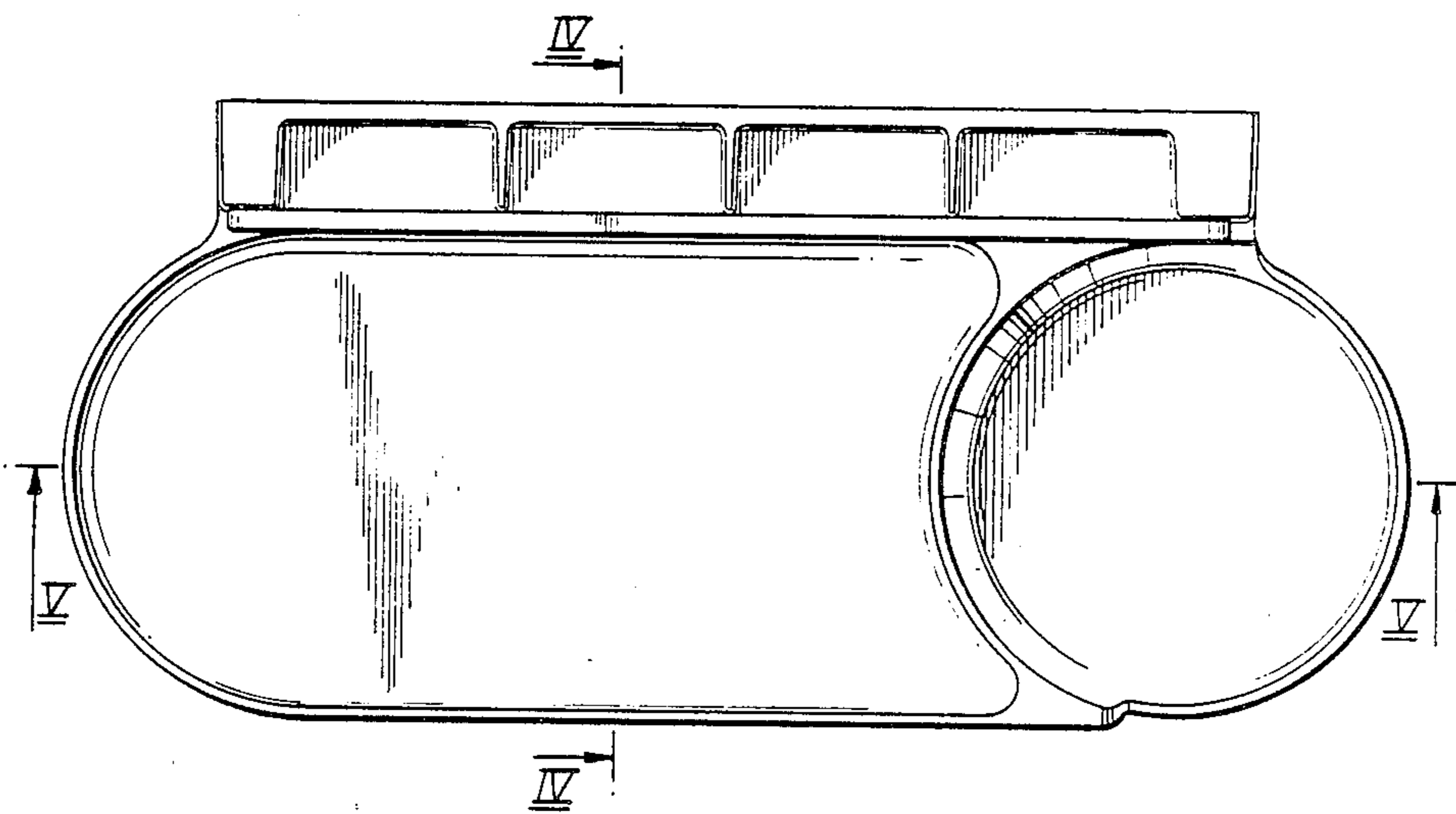


FIG. 2.

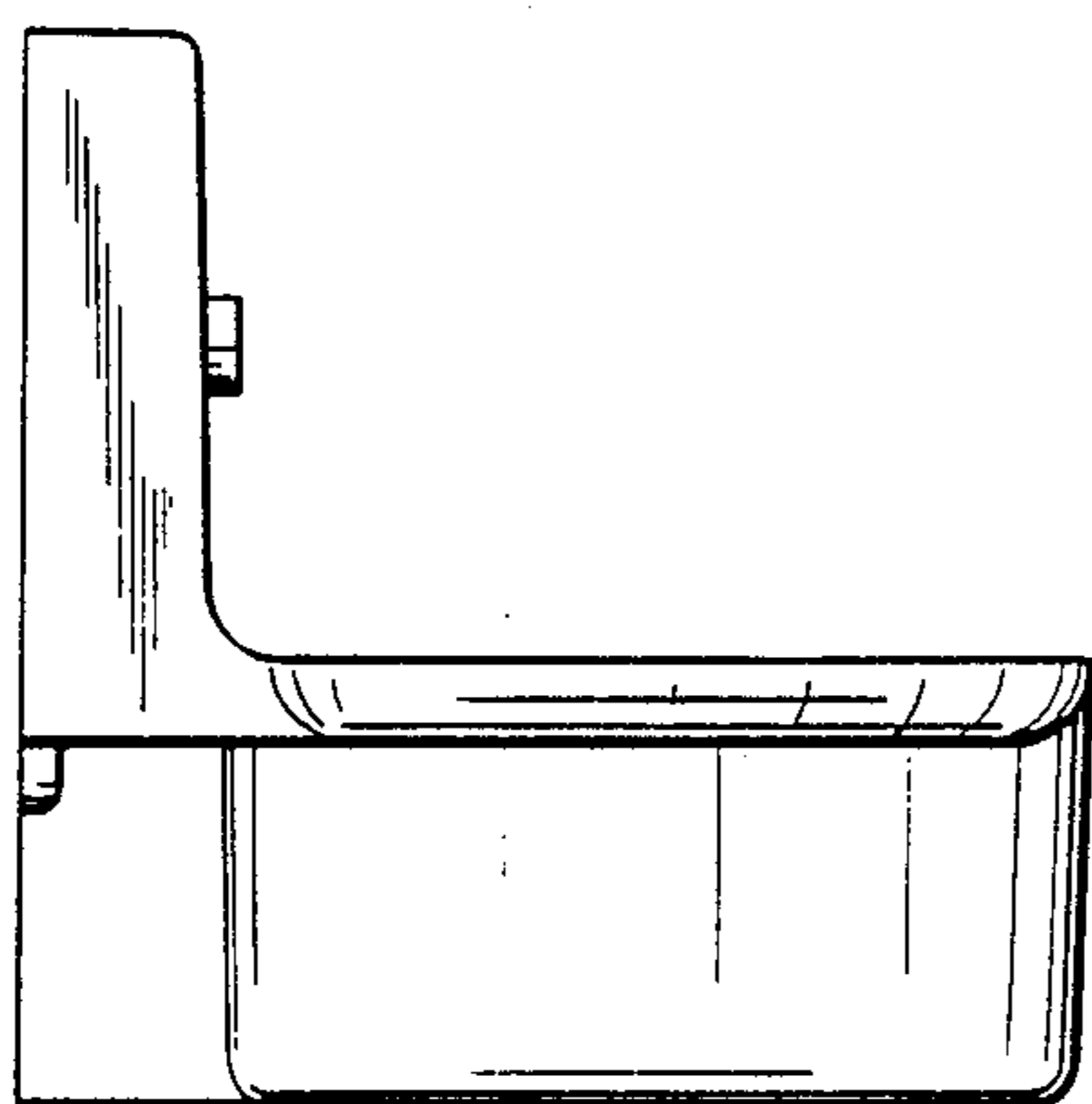


FIG. 3.

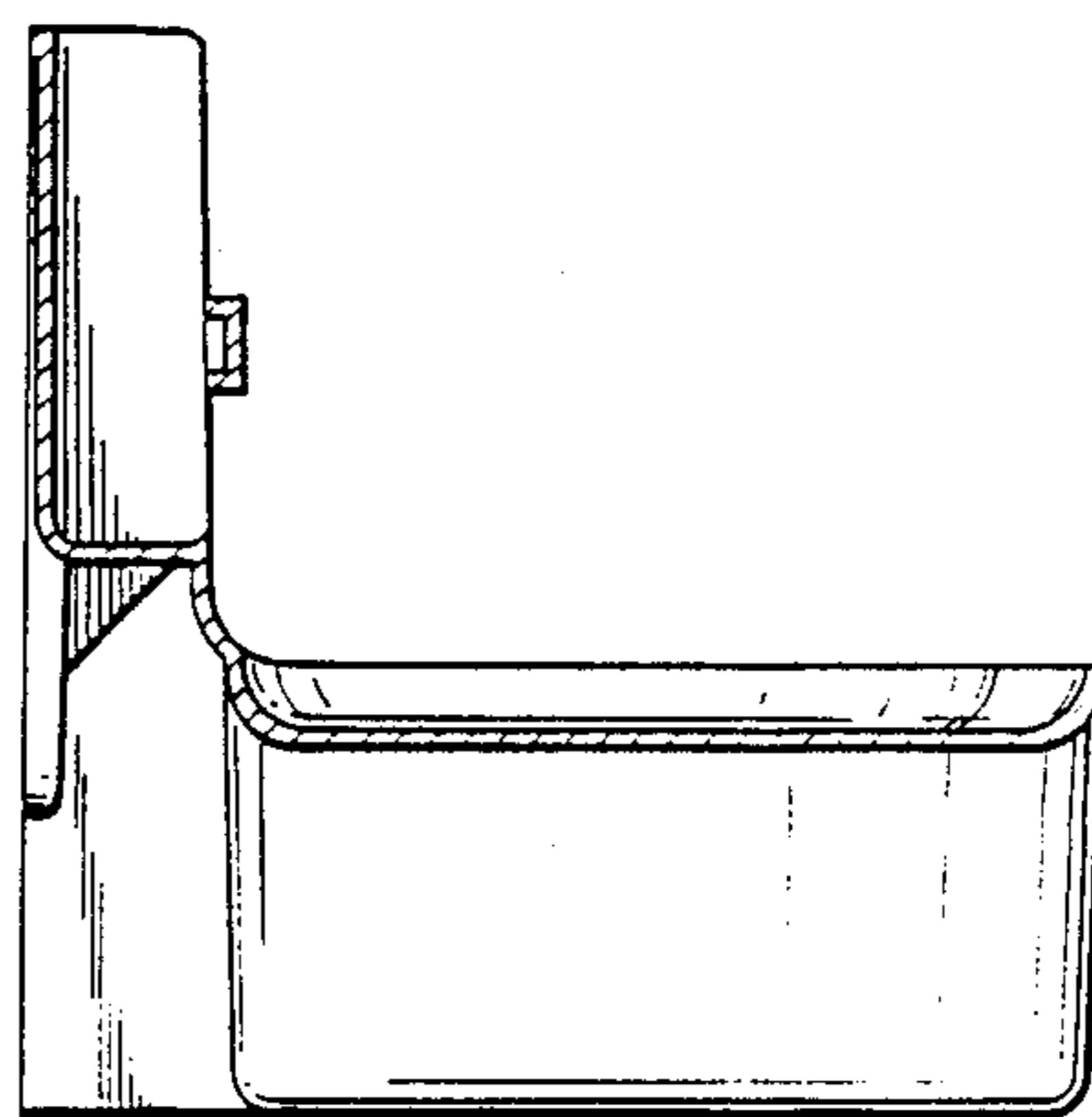


FIG. 4.

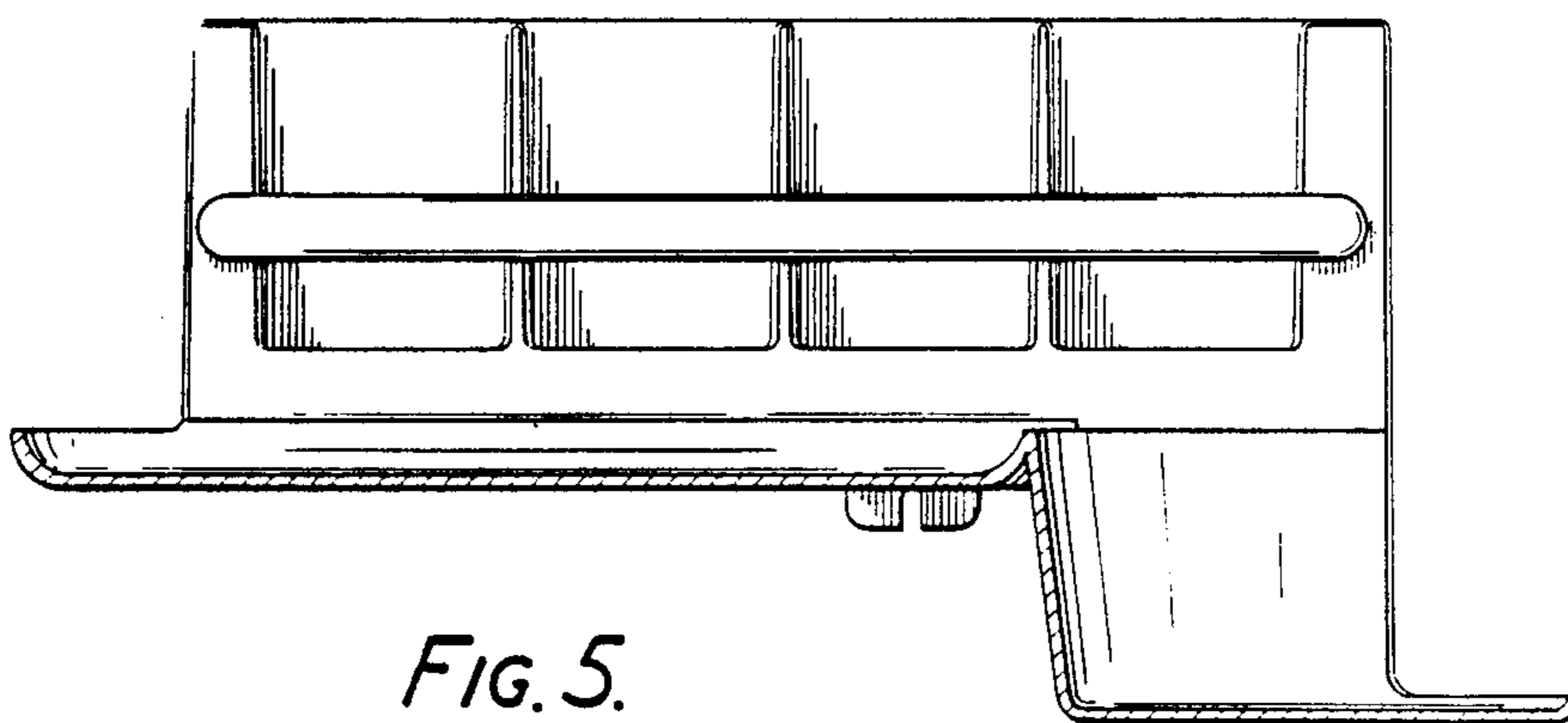


FIG. 5.

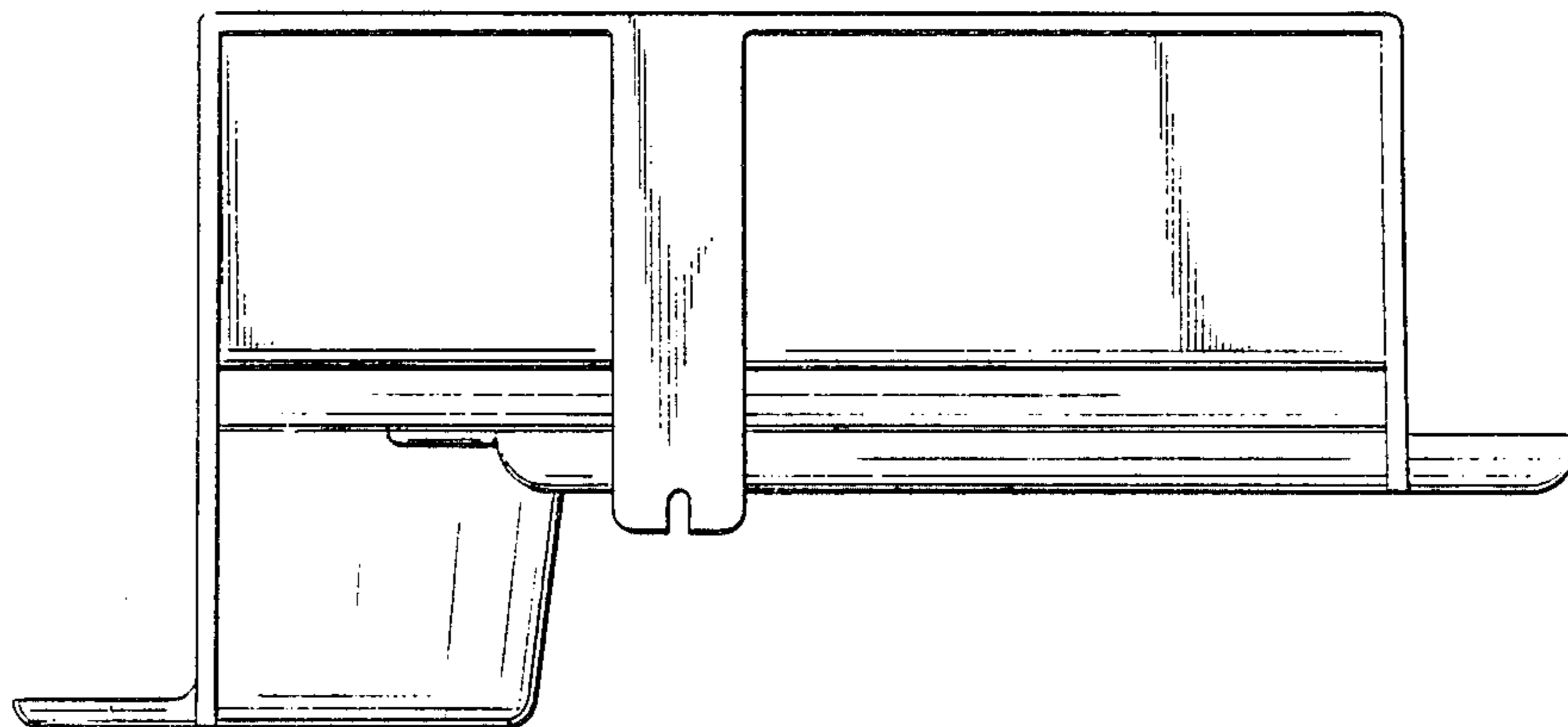


FIG. 6.