

[54] SEAT CUSHION FOR AN INFANT

3,120,406 2/1964 Shelton ..... D6/368 X  
4,068,889 1/1978 Pierce et al. .... D6/502 X

[76] Inventor: Deborah L. Halpain, 802 N. Broadway #9, Riverton, Wyo. 82501

Primary Examiner—Bruce W. Dunkins  
Attorney, Agent, or Firm—Dean P. Edmundson

[\*\*] Term: 14 Years

[21] Appl. No.: 845,028

[57] CLAIM

[22] Filed: Mar. 17, 1986

The ornamental design for a seat cushion for an infant, substantially as shown and described.

[52] U.S. Cl. .... D6/502; D6/333; D6/368

DESCRIPTION

[58] Field of Search ..... D6/333, 334, 367, 368, D6/370, 379, 380, 502; 297/134, 252, 453

FIG. 1 is a perspective view of a seat cushion for an infant;

[56] References Cited

U.S. PATENT DOCUMENTS

- D. 225,817 1/1973 Torrey ..... D6/502
- D. 274,108 6/1984 Trotman et al. .... D6/502
- D. 277,917 3/1985 Slakman ..... D6/502 X
- D. 284,144 6/1986 Pedersen ..... D6/502 X
- 2,200,247 5/1940 Haas ..... D6/502 X

FIG. 2 is a front elevational view of the infant cool seat of the invention;

FIG. 3 is a rear elevational view of the infant cool seat;

FIG. 4 is a side elevational view of the infant cool seat viewed from one side; the side elevational view of the infant cool seat from the opposite side is a mirror image;

FIG. 5 is a top view of the infant cool seat; and

FIG. 6 is a bottom view of the infant cool invention.

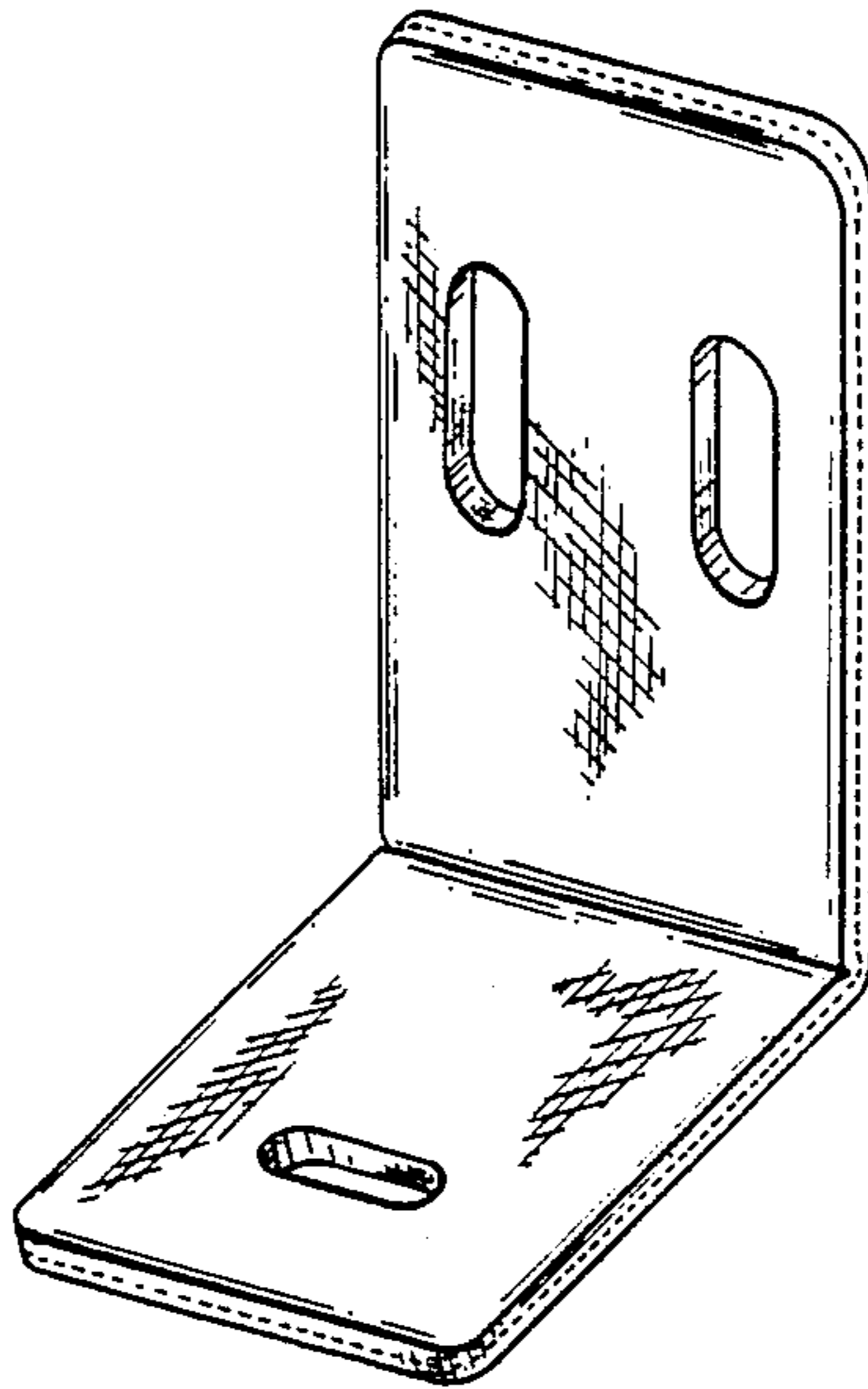


FIG. 1

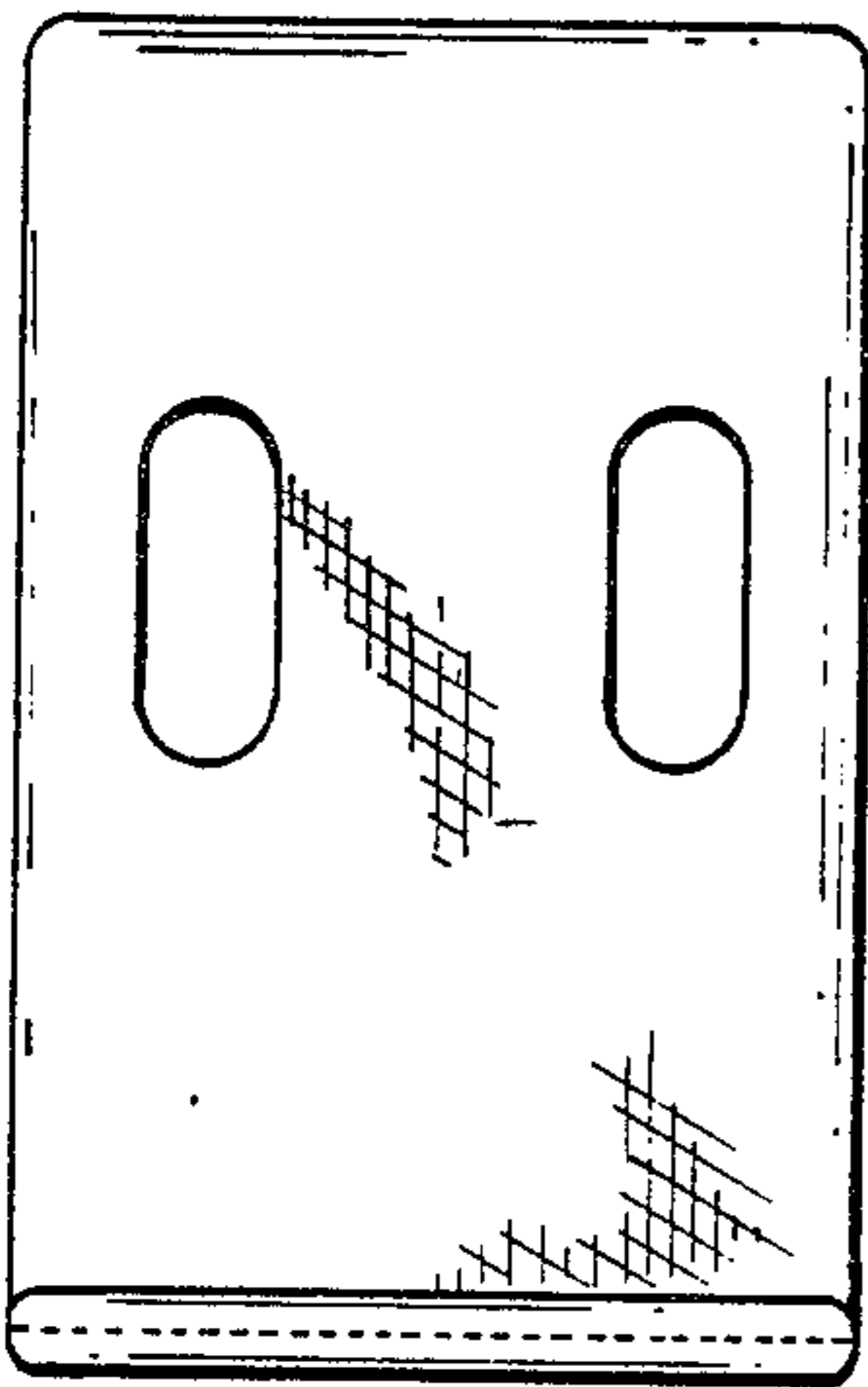
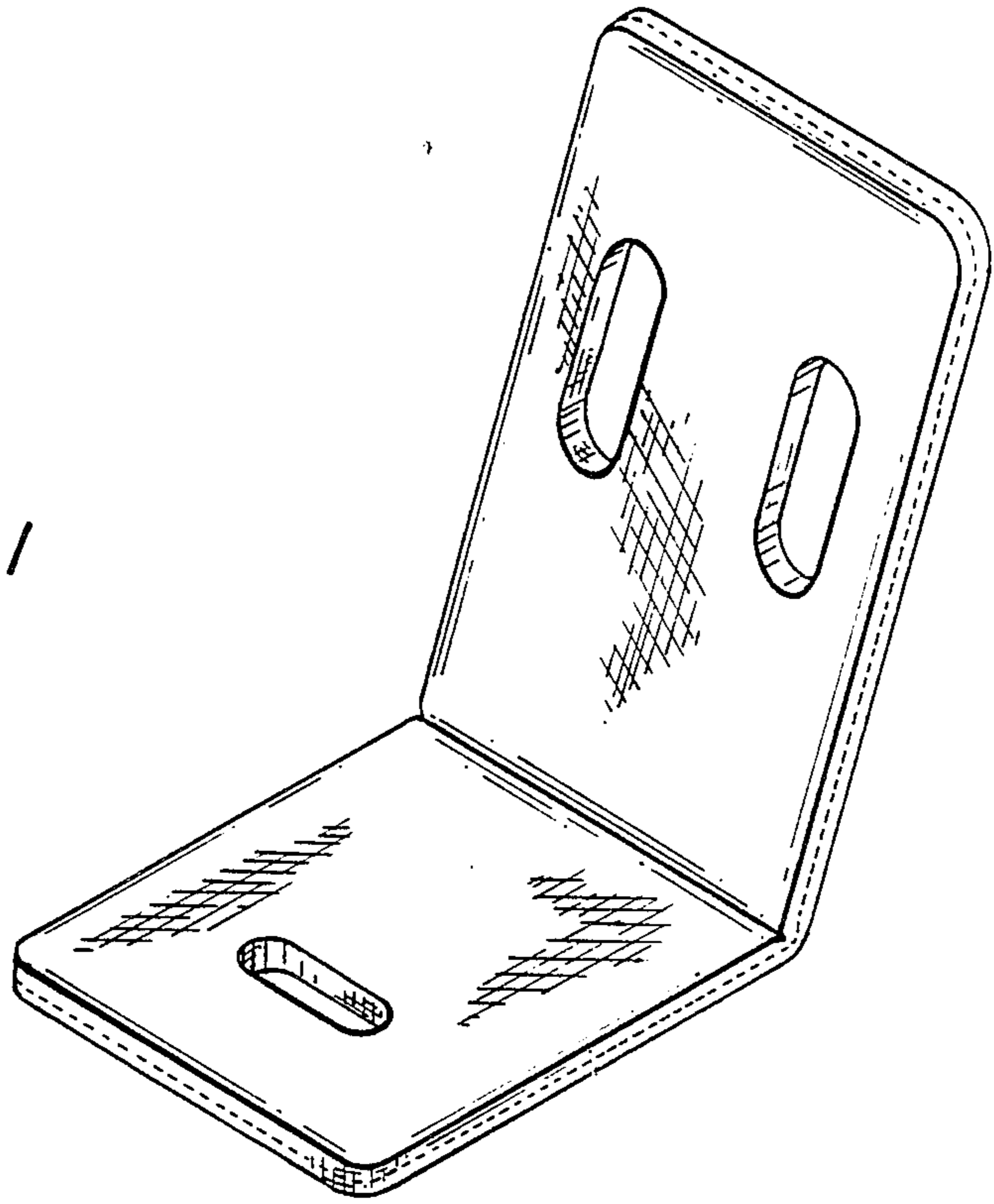


FIG. 2

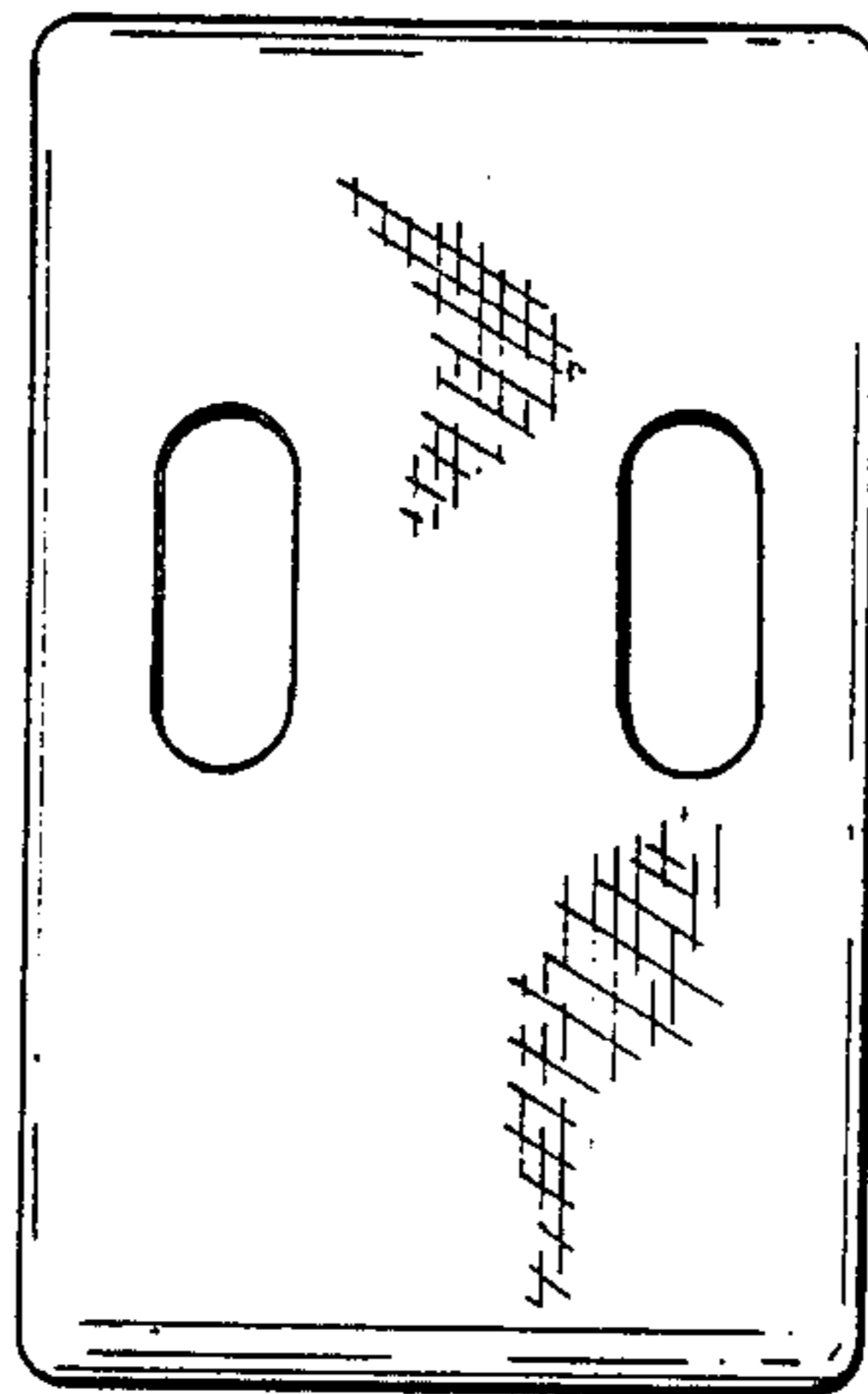


FIG. 3

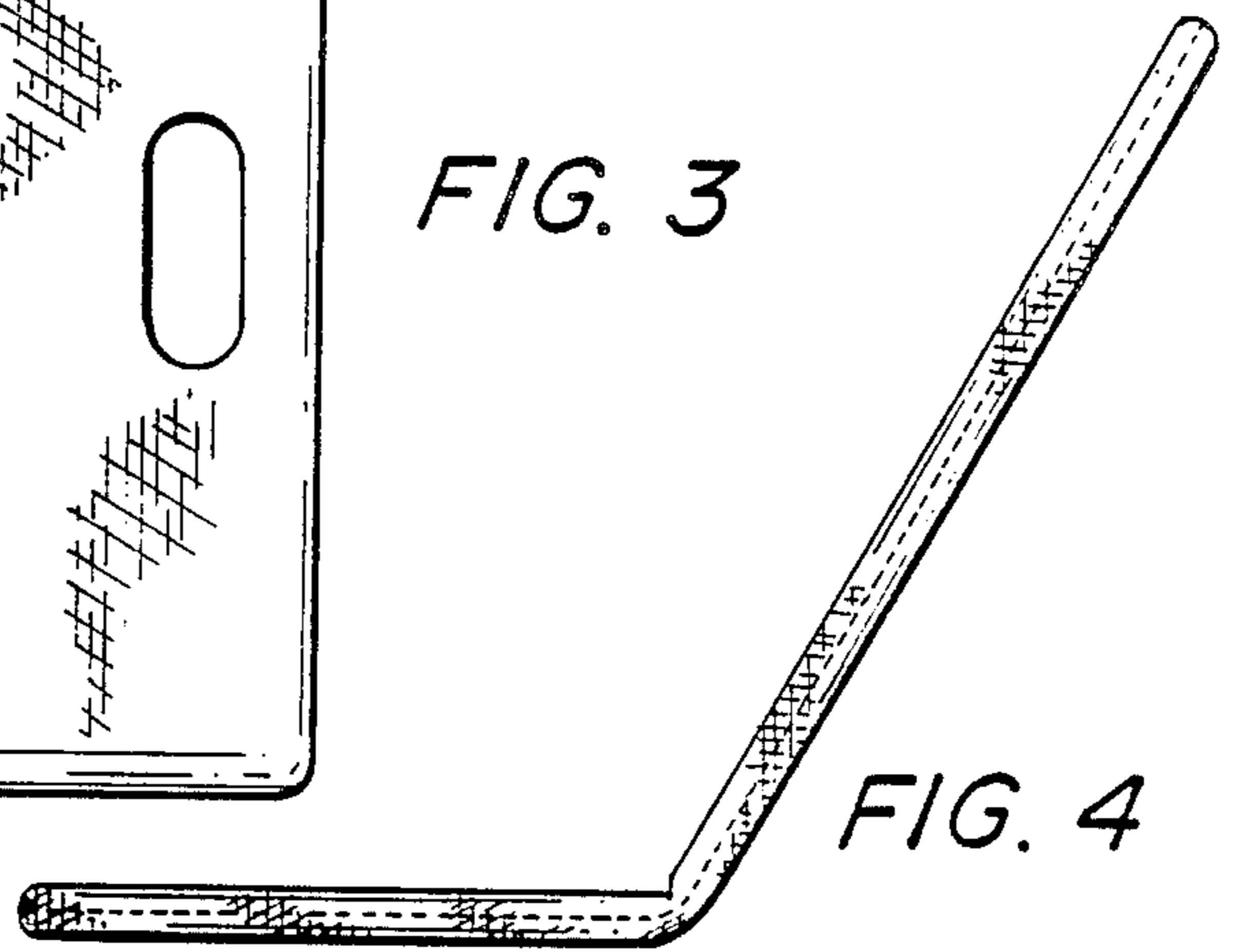


FIG. 4

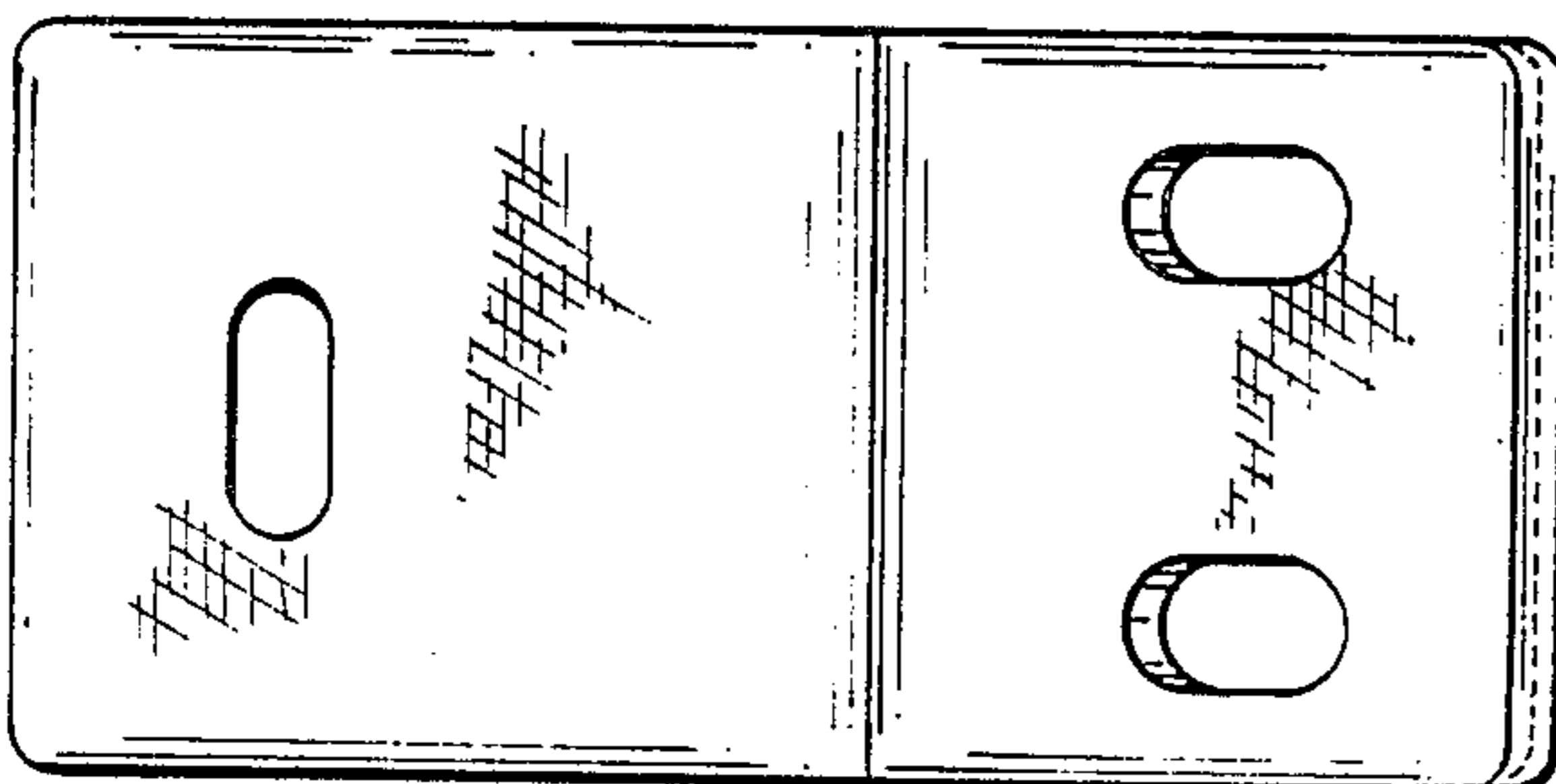


FIG. 5

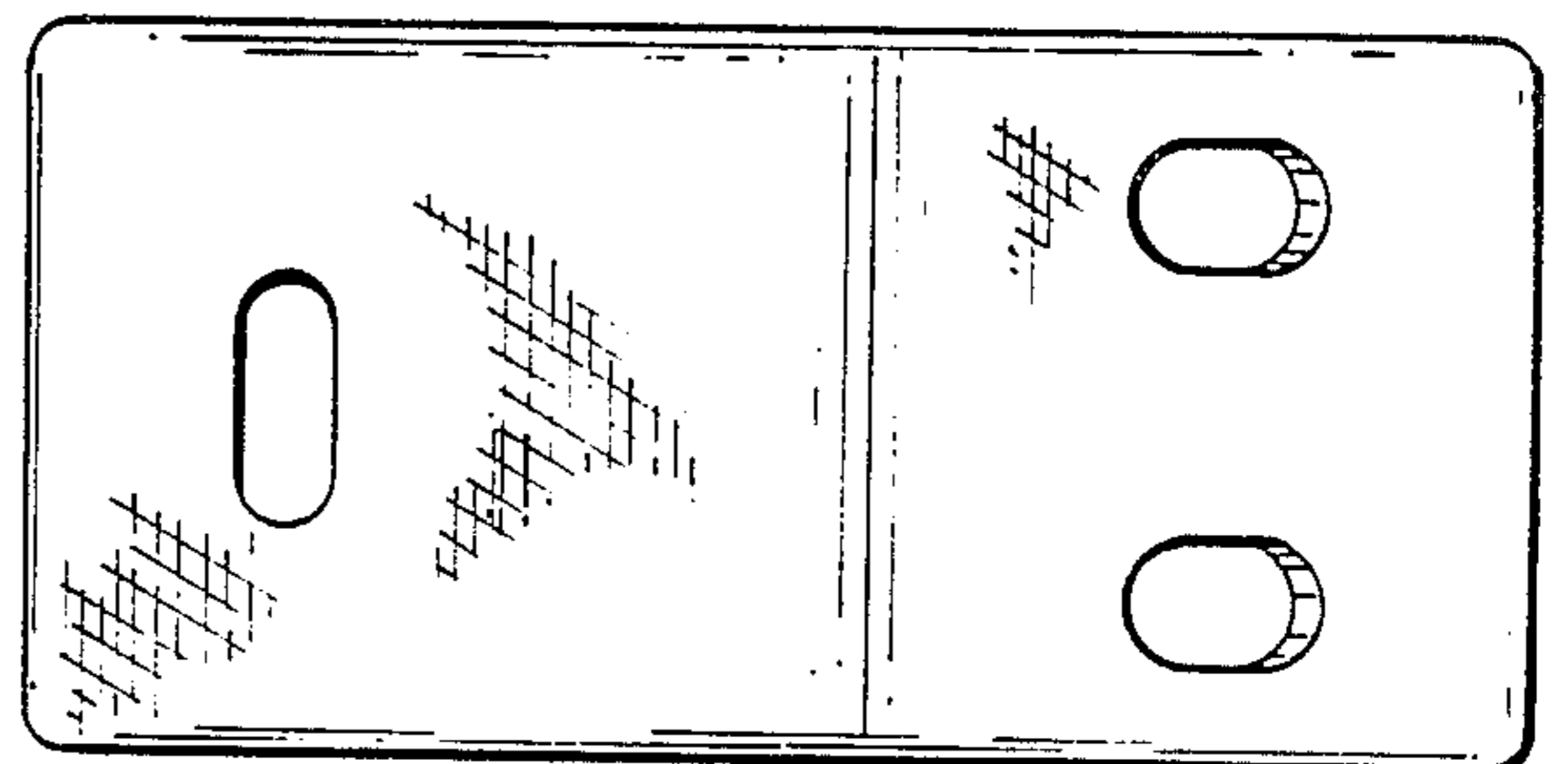


FIG. 6