

[54] OFFICE DESK

D. 278,108 3/1985 Lyman et al. D6/426
D. 281,297 11/1985 Esslinger D6/484

[75] Inventor: Klaus Uredat-Neuhoff,
Lindern/Oldenburg, Fed. Rep. of
Germany

Primary Examiner—Carmen H. Vales
Attorney, Agent, or Firm—Frank J. Jordan; C. Bruce
Hamburg; Manabu Kanesaka

[73] Assignee: Inaba Seisakusho Ltd., Tokyo, Japan

[57] CLAIM

[**] Term: 14 Years

The ornamental design for an office desk, substantially
as shown and described.

[21] Appl. No.: 807,058

DESCRIPTION

[22] Filed: Nov. 27, 1985

[30] Foreign Application Priority Data

Jun. 3, 1985 [JP] Japan 60-23036

[52] U.S. Cl. D6/484; D6/422;
D6/428; D6/431

[58] Field of Search D6/422, 423, 425-428,
D6/419, 420, 480, 484, 429, 430, 431; 312/194,
195, 196

FIG. 1 is a top perspective view of an office desk, show-
ing my new design;
FIG. 2 is a bottom perspective view in extended posi-
tion;
FIG. 3 is a front elevational view of FIG. 1;
FIG. 4 is a rear elevational view thereof;
FIG. 5 is a top plan view thereof;
FIG. 6 is a bottom plan view thereof;
FIG. 7 is a right side elevational view, the left side being
a mirror image thereof;
FIG. 8 is a cross-sectional view of FIG. 7;
FIG. 9 is a front elevational view of FIG. 2; and,
FIG. 10 is a right side elevational view, the left side
being a mirror image thereof.

[56] References Cited

U.S. PATENT DOCUMENTS

D. 251,167 2/1979 Isles D6/428 X
D. 277,056 1/1985 Nicholson D6/420

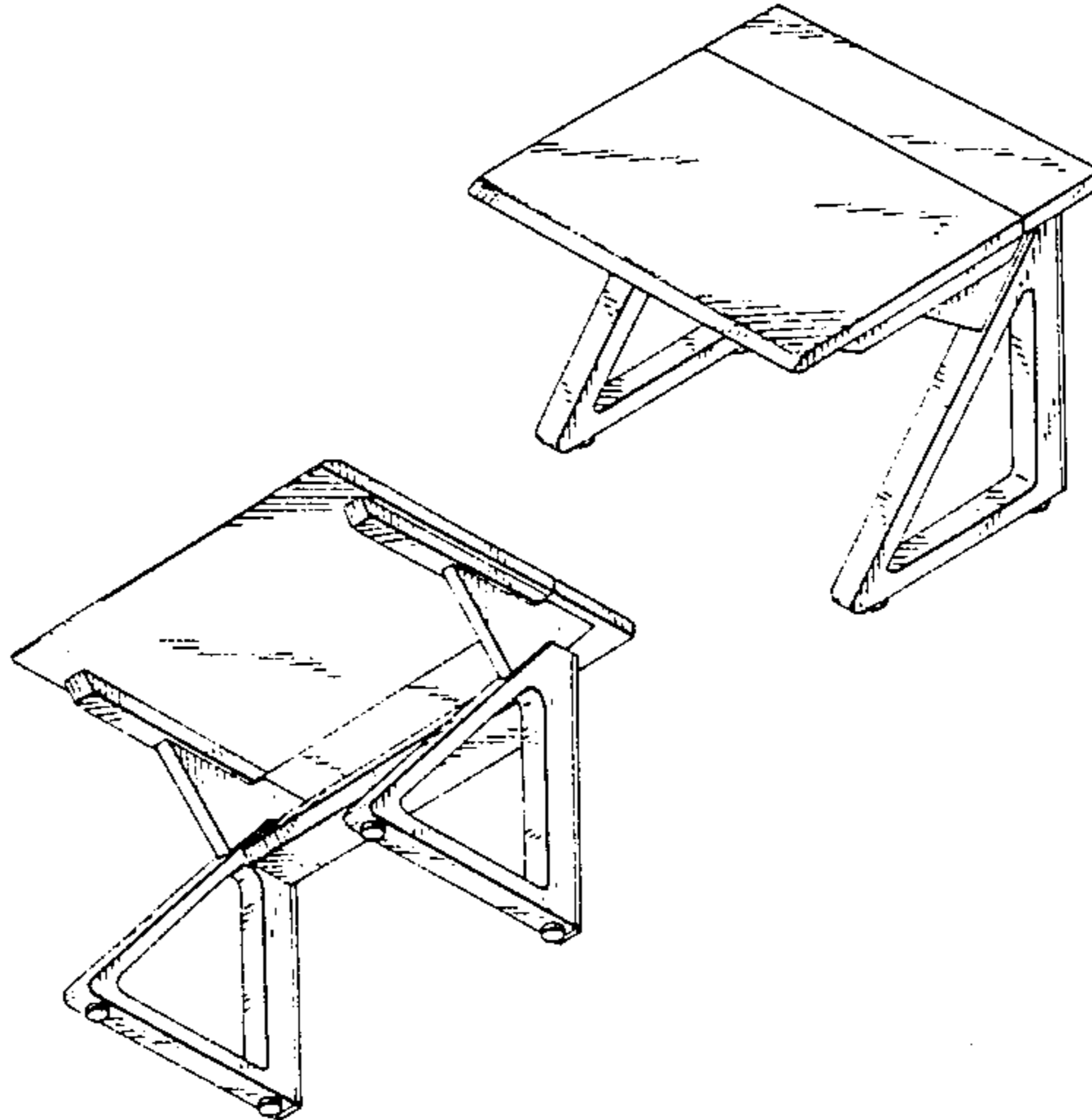


FIG. 1

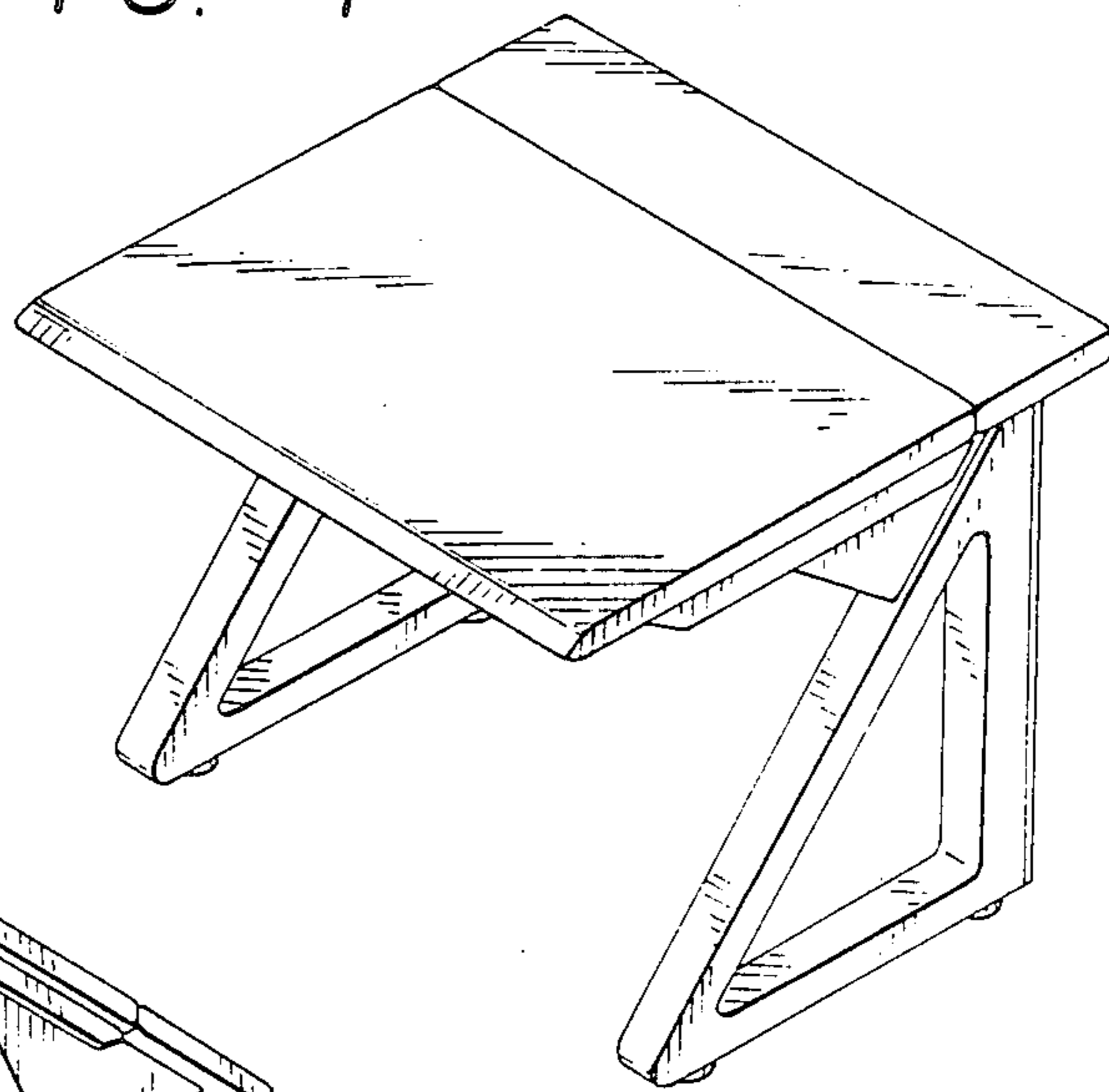


FIG. 2

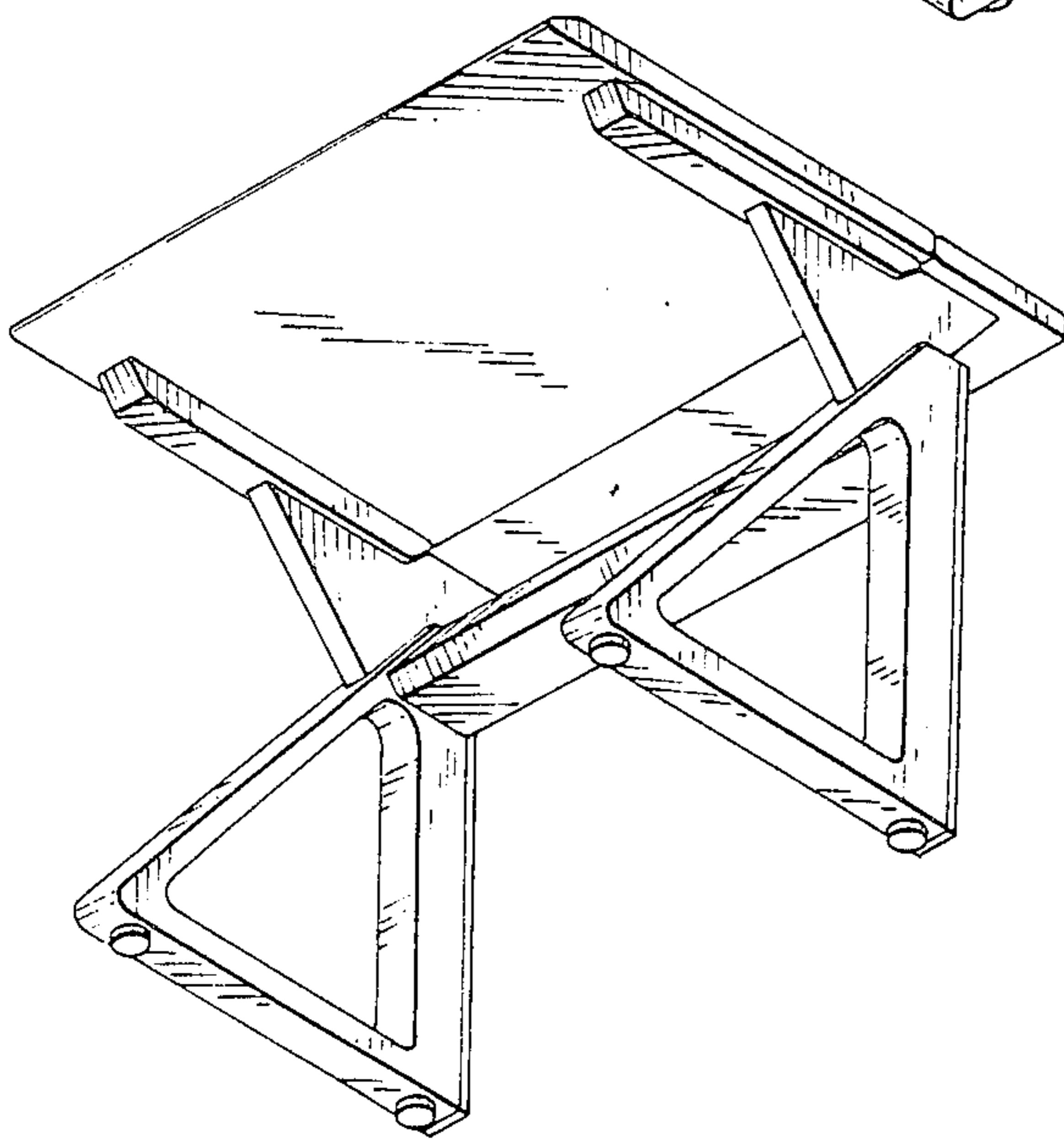


FIG. 3

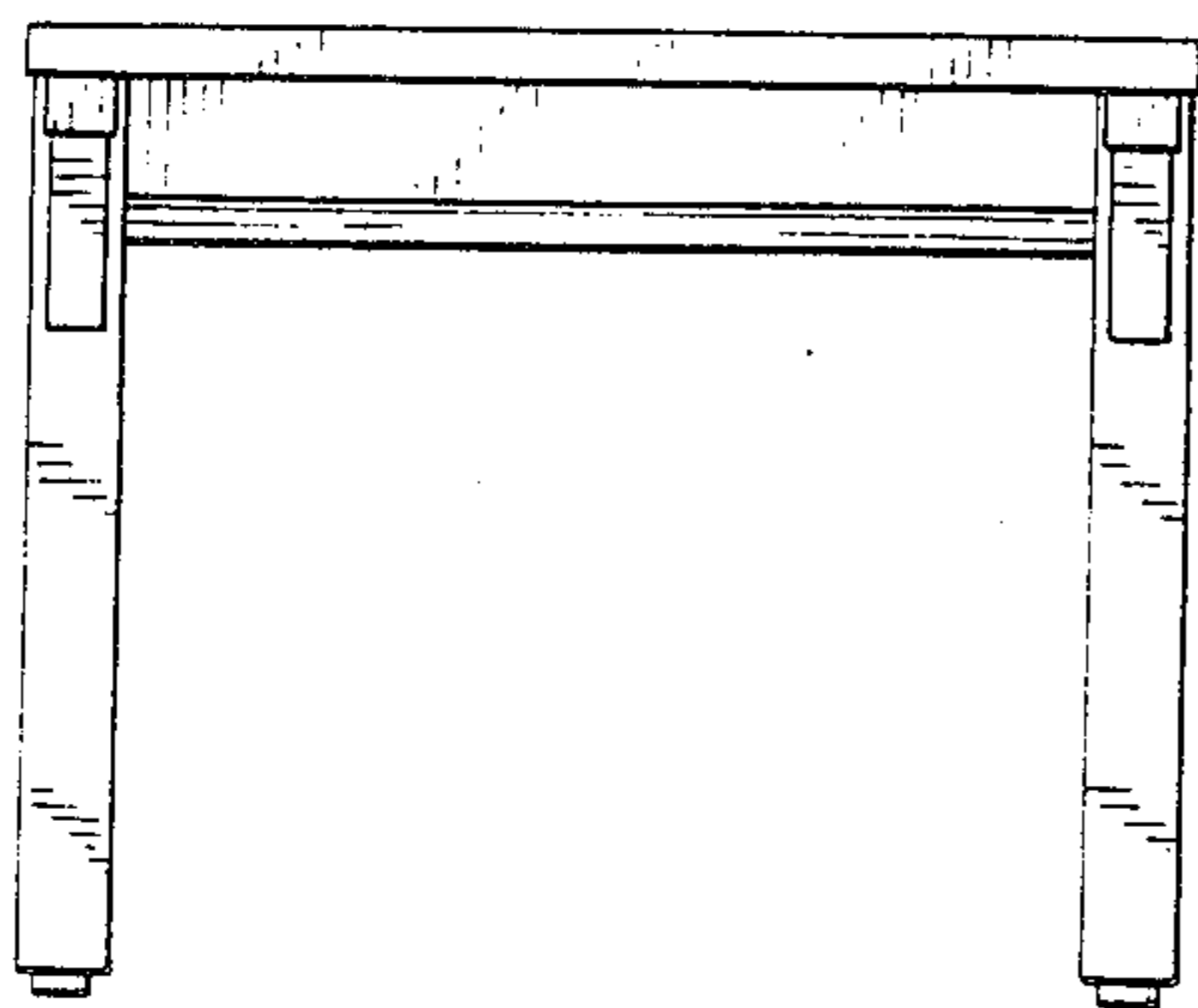


FIG. 4

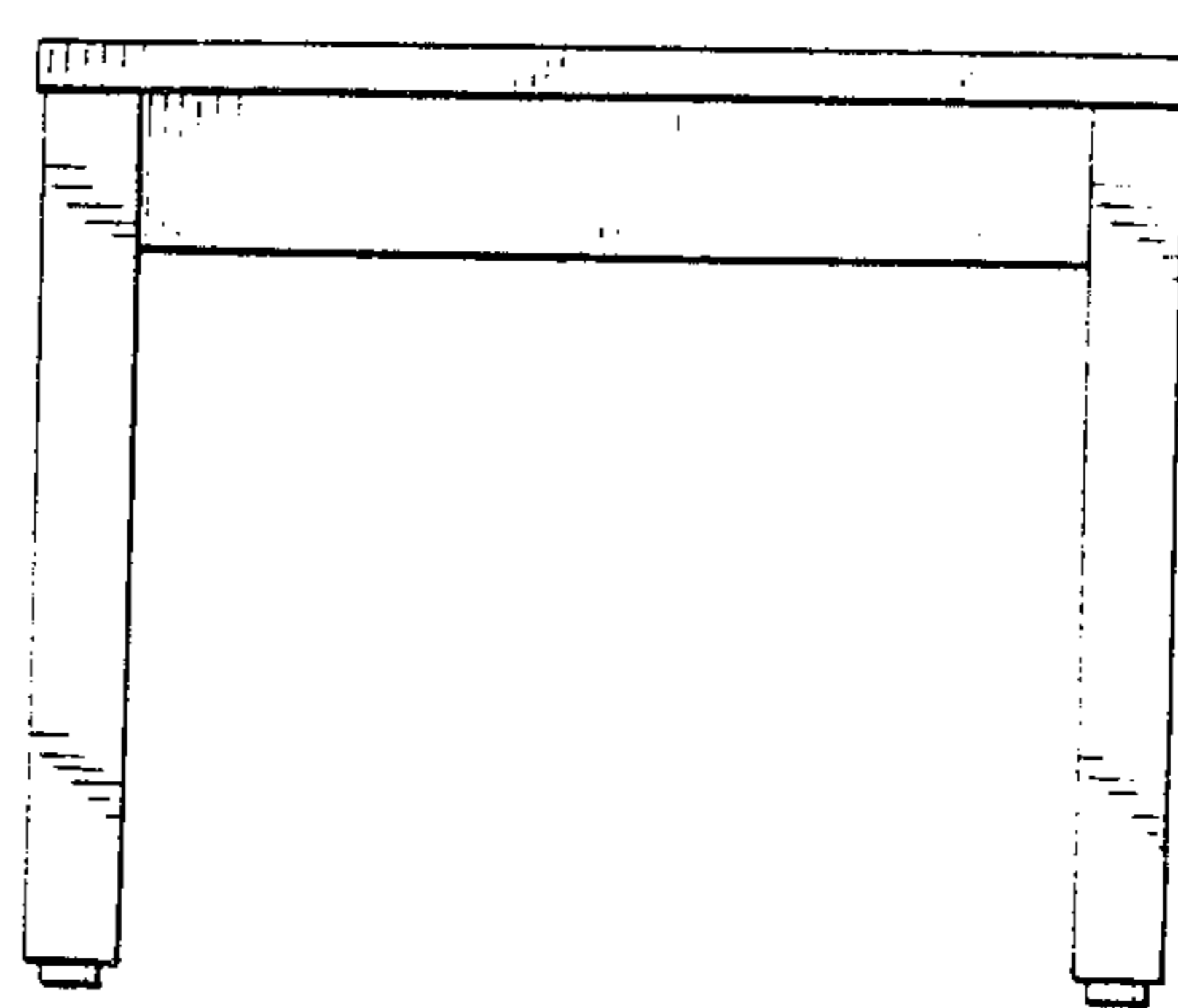


FIG. 5

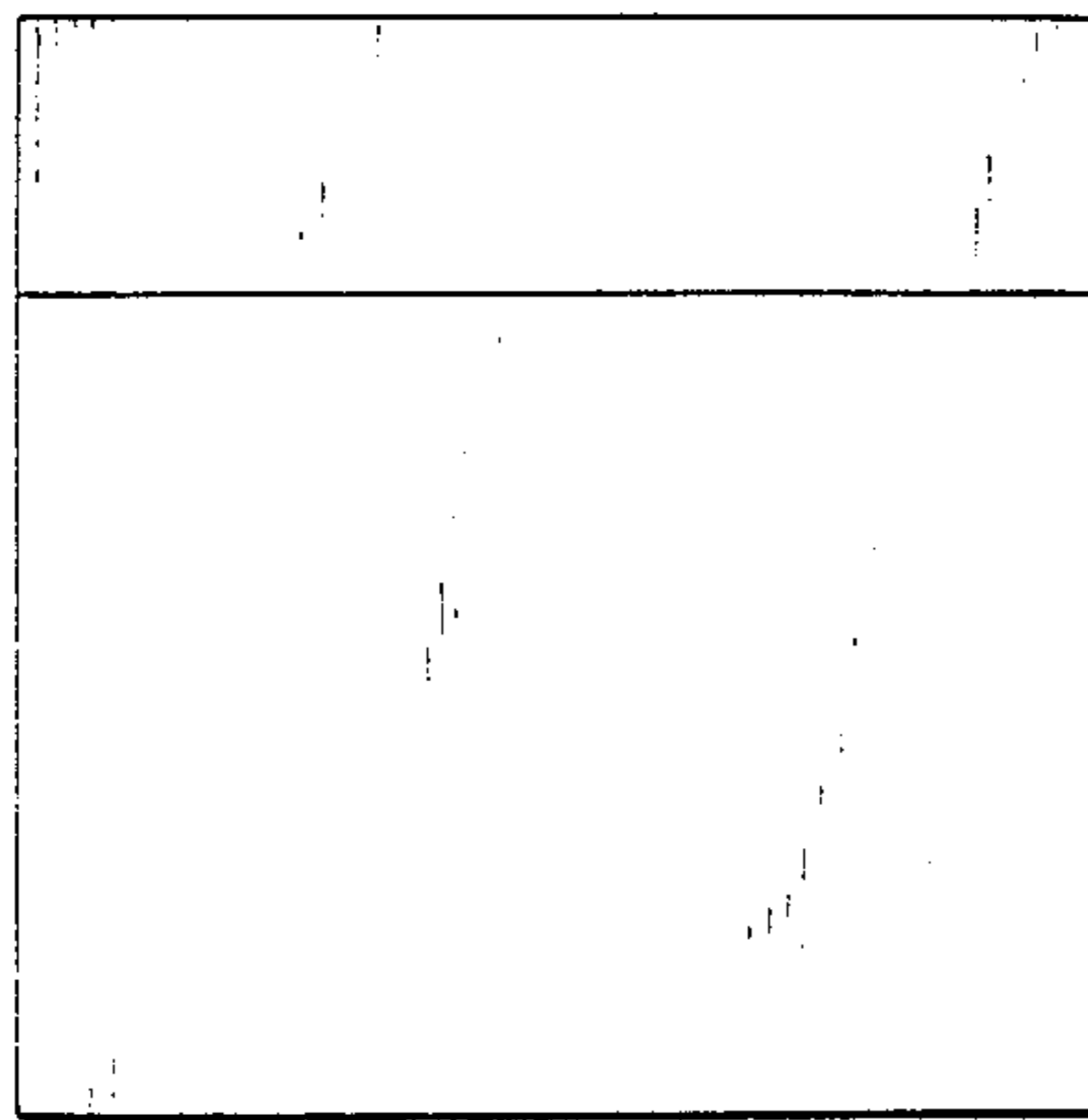


FIG. 6

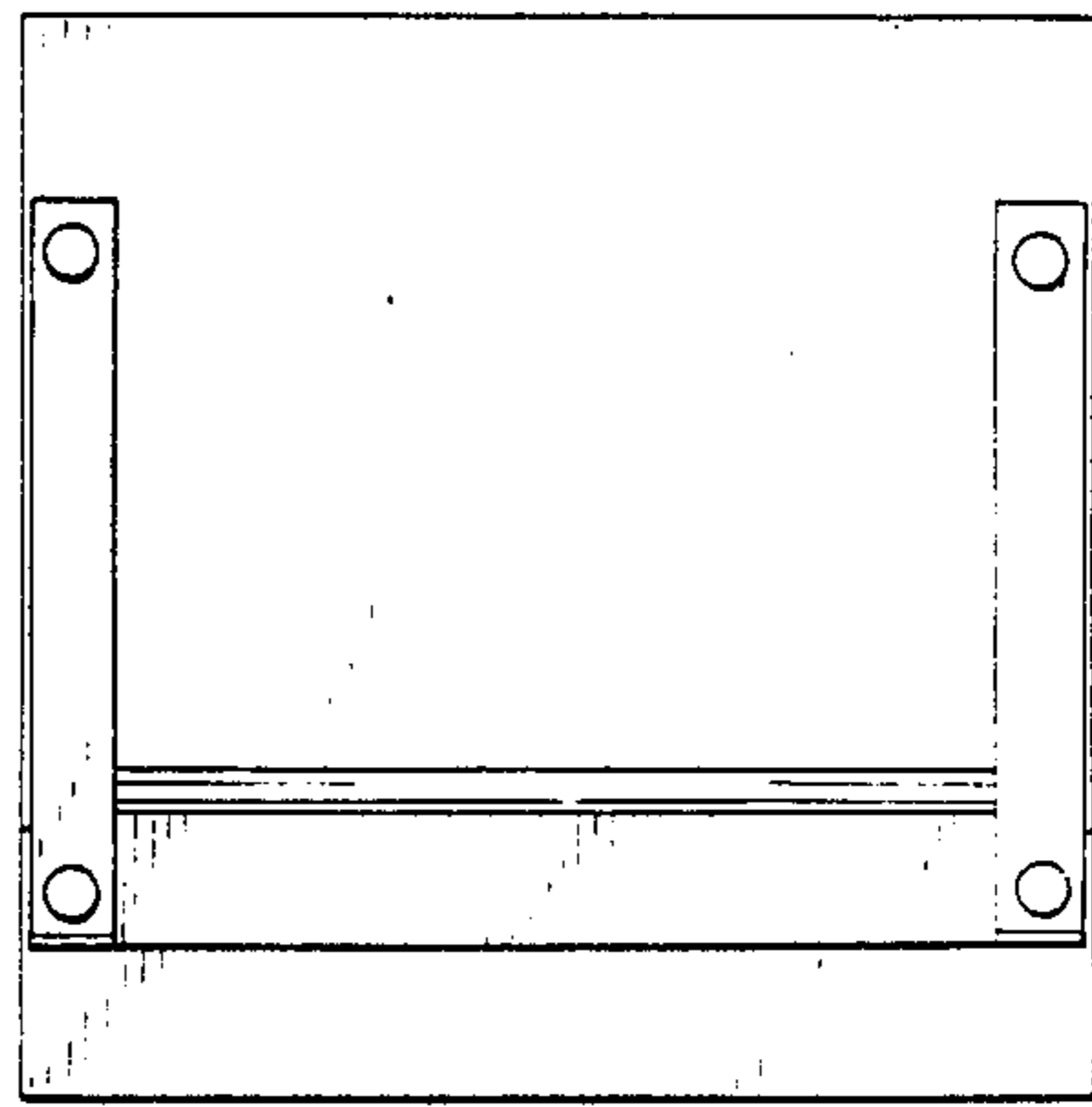


FIG. 7

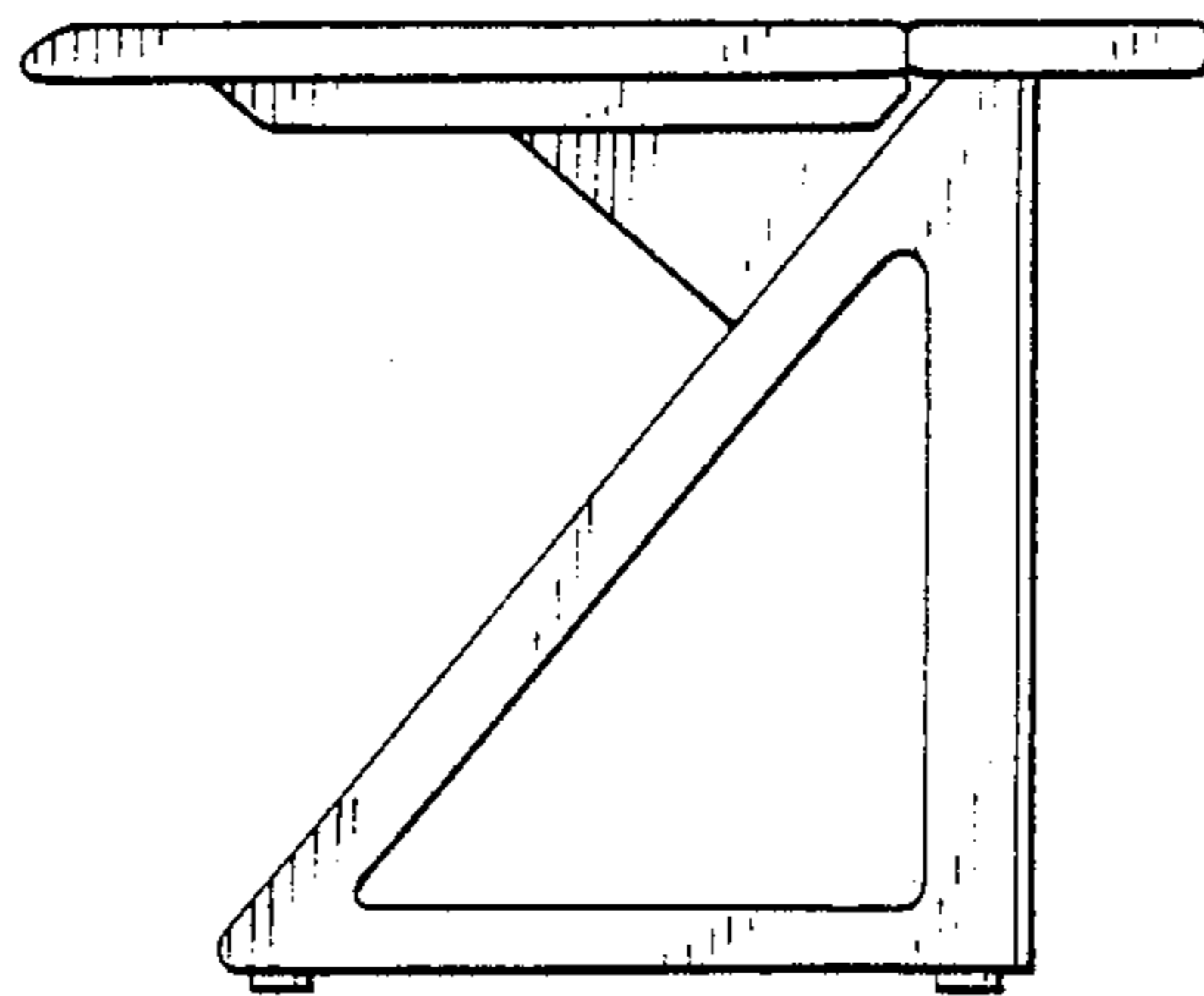


FIG. 8

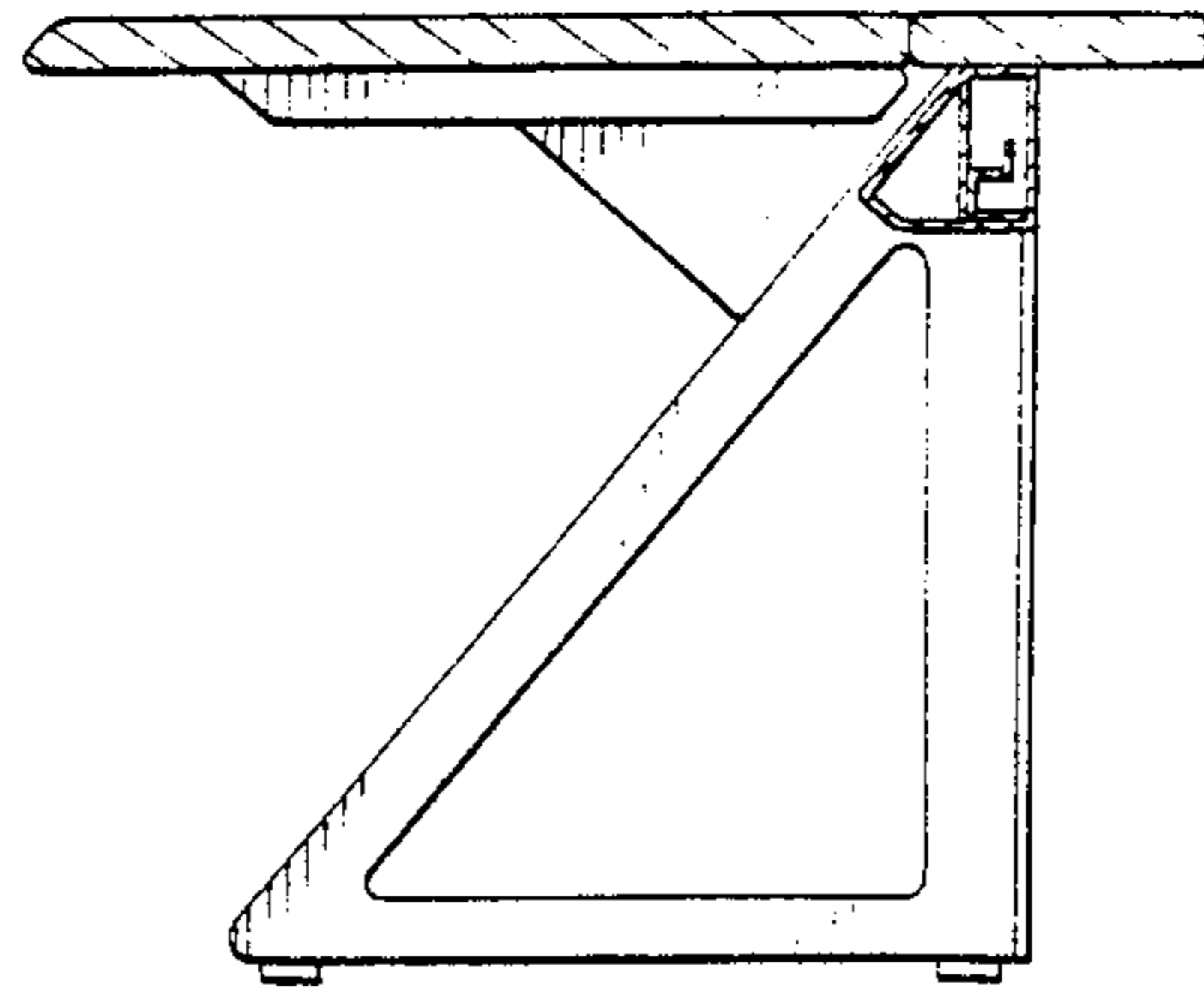


FIG. 9

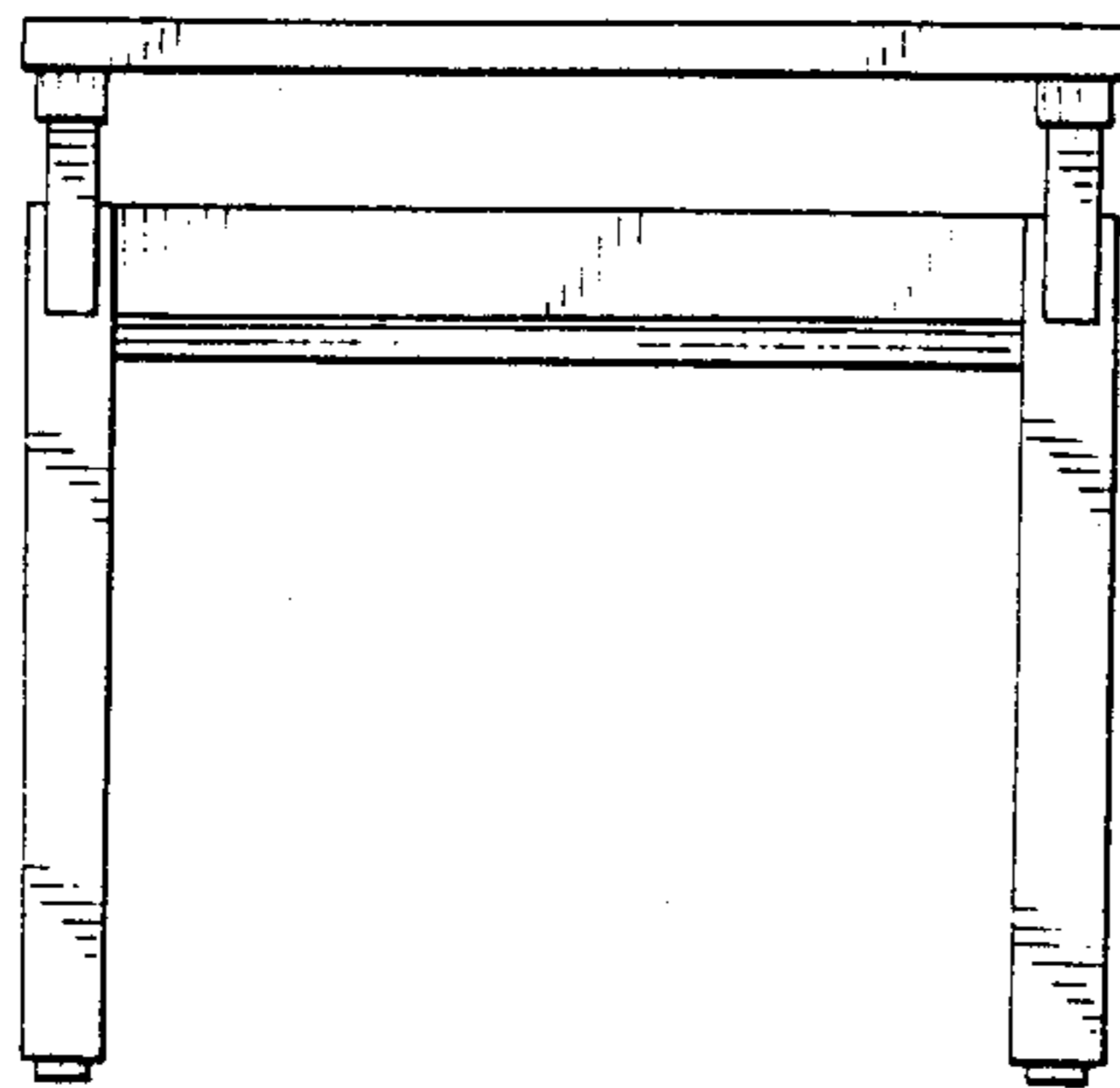


FIG. 10

