

United States Patent [19]

Donner

[11] Patent Number: Des. 295,473

[45] Date of Patent: ** May 3, 1988

[54] TABLE

[75] Inventor: Aaron J. Donner, Garrison, N.Y.

[73] Assignee: Schnadig Corporation, Chicago, Ill.

[**] Term: 14 Years

[21] Appl. No.: 840,714

[22] Filed: Feb. 28, 1986

[52] U.S. Cl. D6/480; D6/486

[58] Field of Search D6/480, 482, 484, 486,
D6/487, 488

[56] References Cited

U.S. PATENT DOCUMENTS

D. 225,935 1/1973 Kiene D6/486
D. 260,711 9/1981 Redmond D6/480
D. 287,680 1/1987 Lonngren D6/485

D. 288,642 3/1987 DeLuca D6/480

OTHER PUBLICATIONS

Interiors, Mar. 1974, p. 65, Table by Cumberland.

Primary Examiner—Bruce W. Dunkins

[57] CLAIM

The ornamental design for a table, substantially as shown and described.

DESCRIPTION

FIG. 1 is a perspective view of a table showing my design;

FIG. 2 is a top plan view;

FIG. 3 is a bottom plan view;

FIG. 4 is an elevational view showing one of the two identical sides; and,

FIG. 5 is an elevational view showing one of the two identical ends.

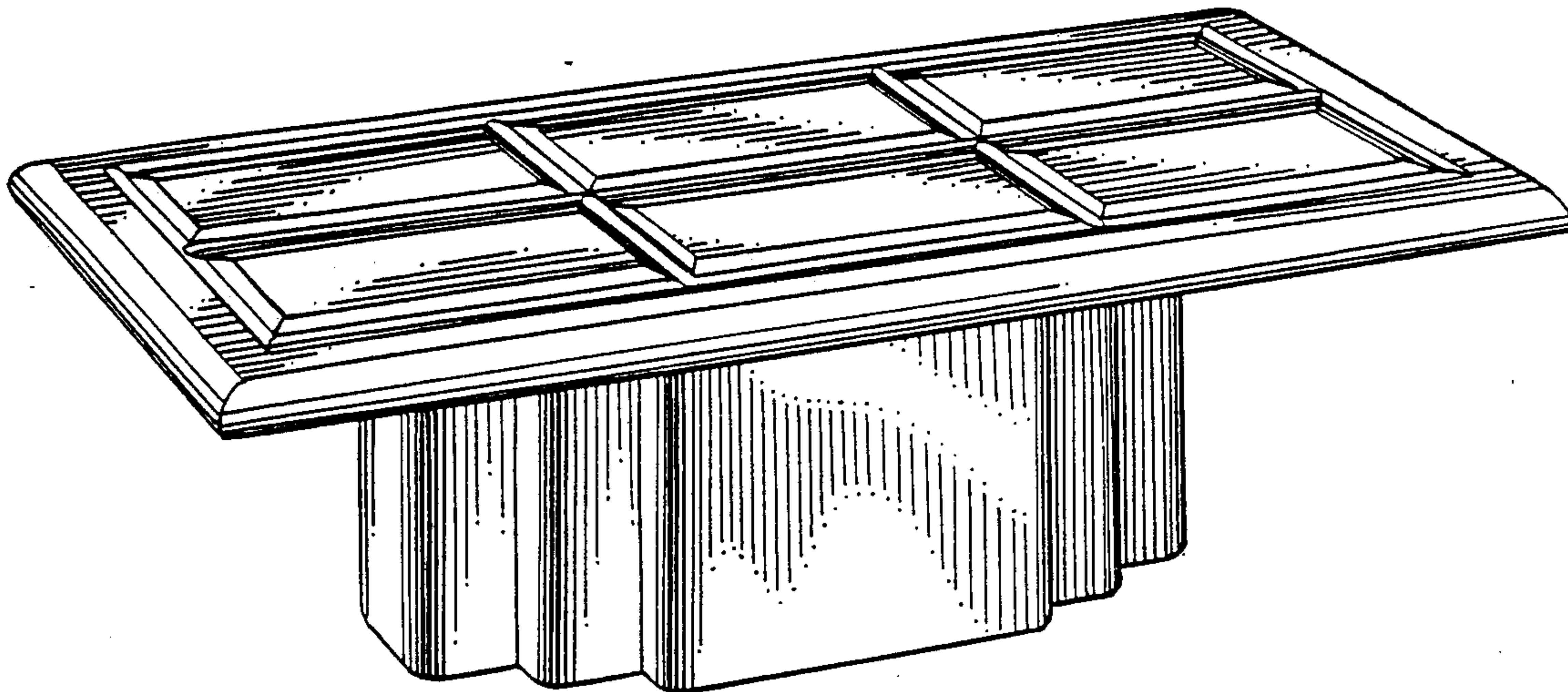


FIG. 1

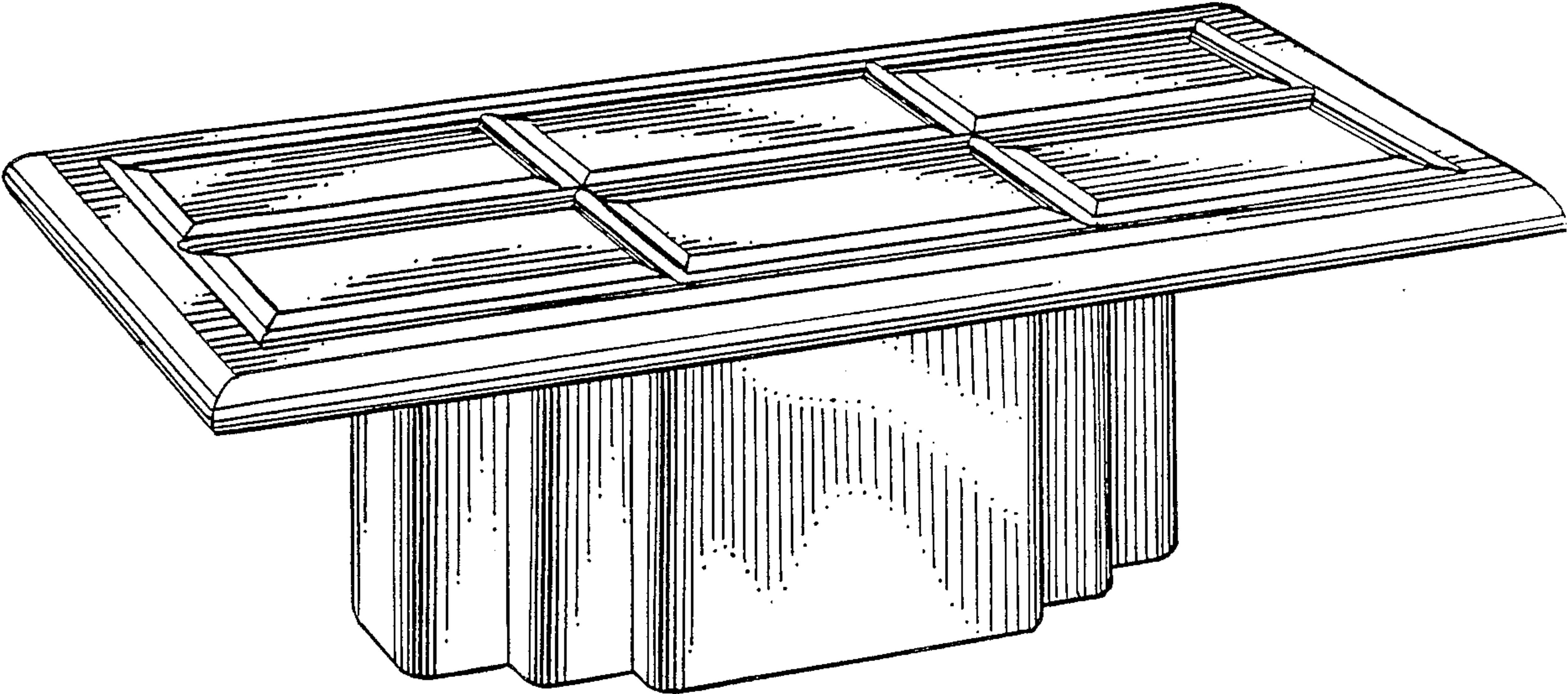


FIG. 2

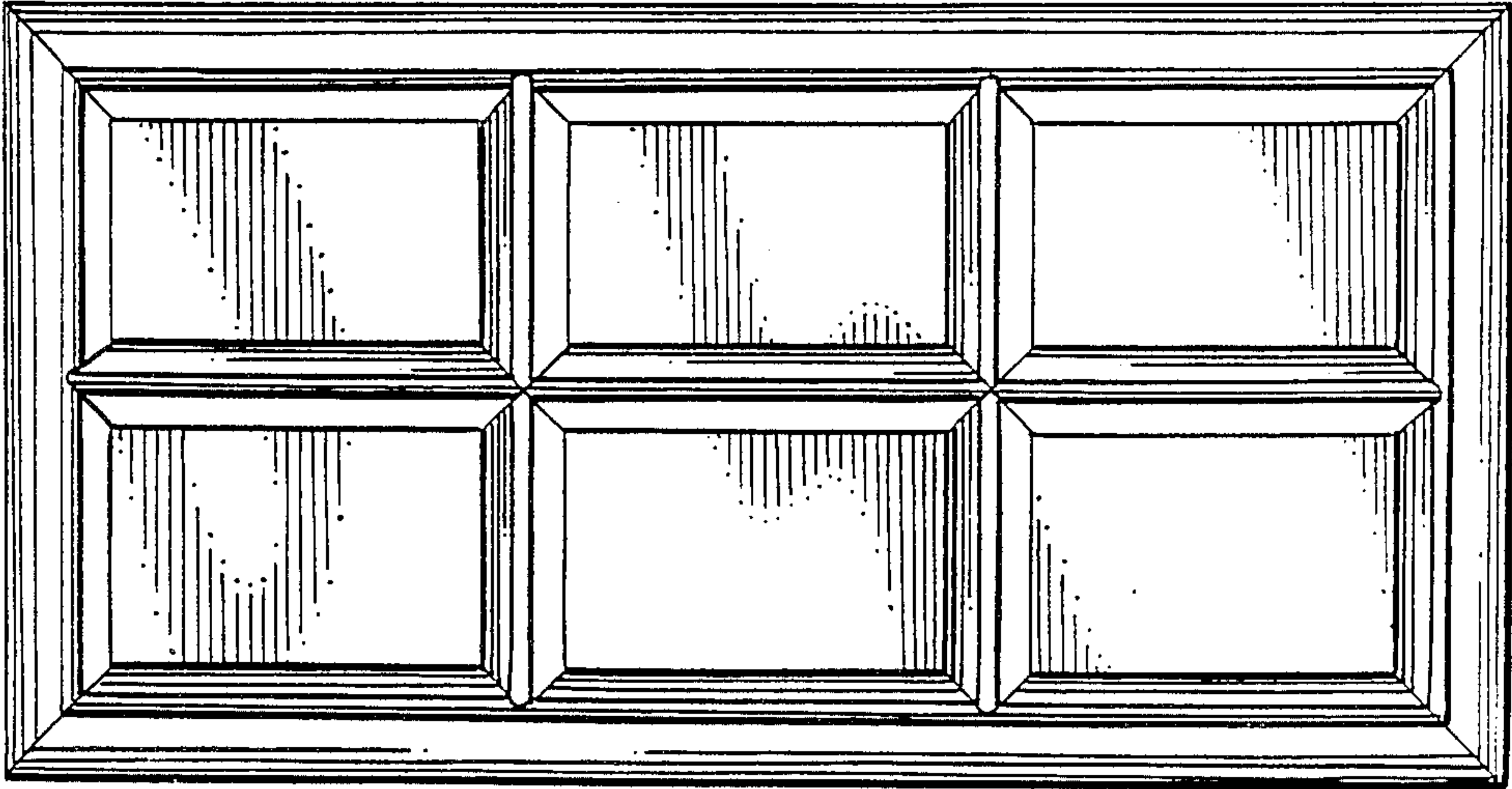


FIG. 3

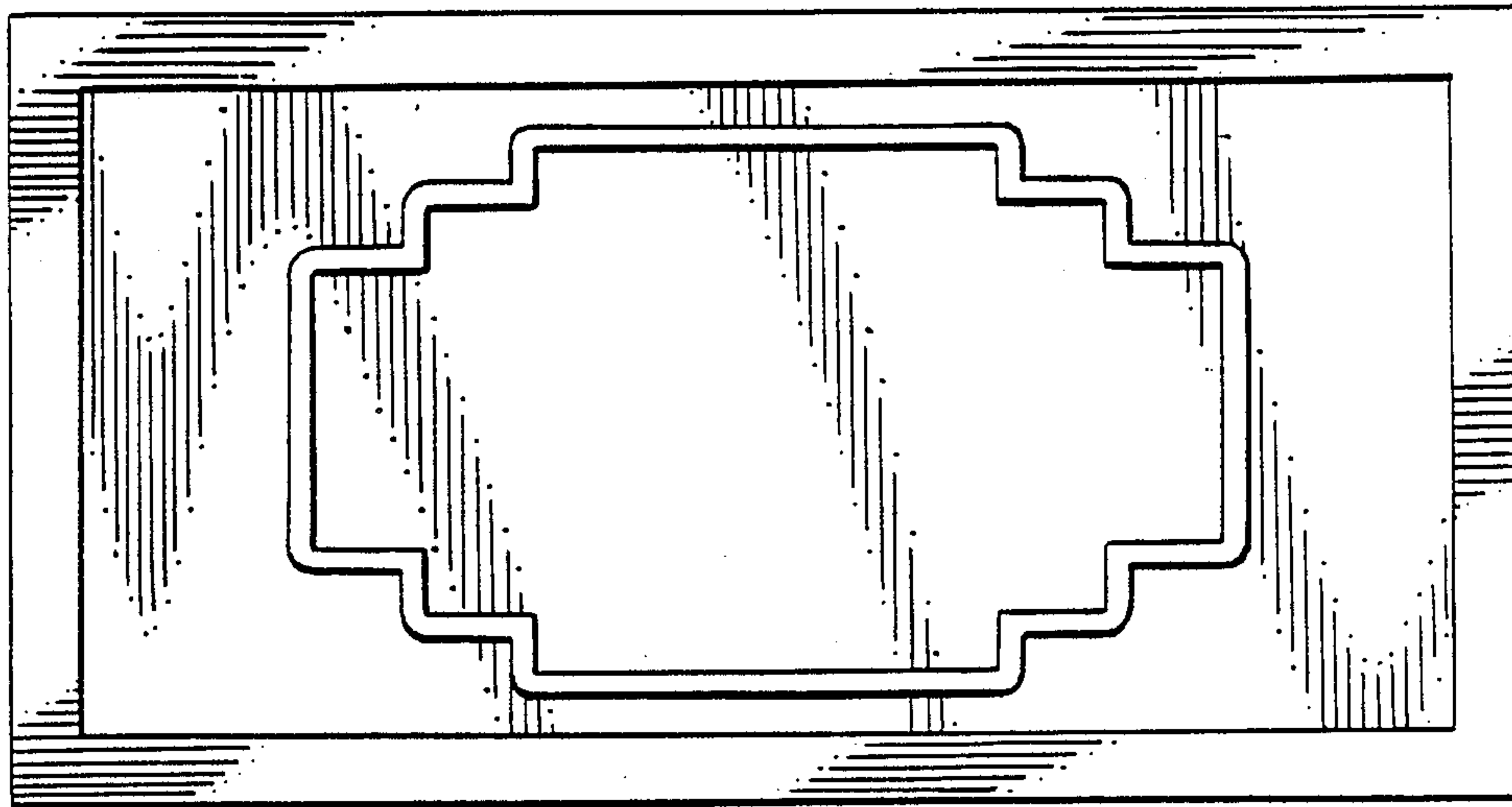


FIG. 4

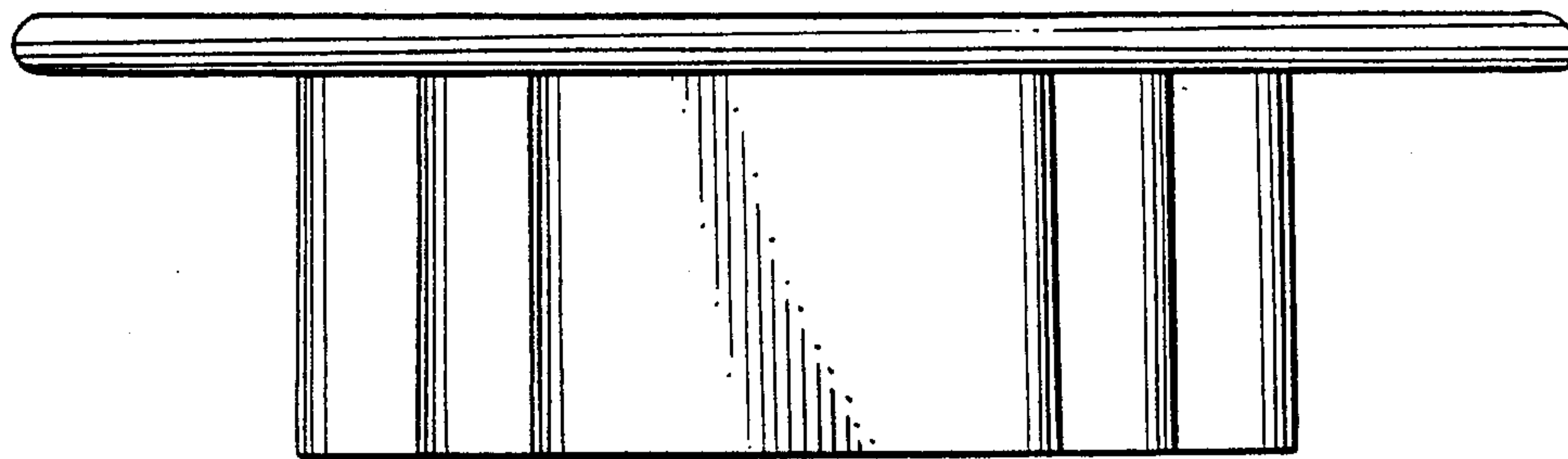


FIG. 5

