

[54] MUSICAL INSTRUMENT STAND

[75] Inventor: Jon L. Lindskog, Fort Collins, Colo.

[73] Assignee: Ultimate Support Systems, Inc., Fort Collins, Colo.

[**] Term: 14 Years

[21] Appl. No.: 782,475

[22] Filed: Oct. 1, 1985

[52] U.S. Cl. D6/462

[58] Field of Search 211/13, 195, 200; 84/441, 453, 385 A, 379, 421, 376 A; D6/462; 248/165, 121, 164, 125; D17/9

[56] References Cited

U.S. PATENT DOCUMENTS

1,565,464	12/1925	Kay	211/13
3,433,115	3/1969	Kjelstrom	84/421 X
3,893,363	7/1975	Cohen	84/421 X

3,945,291	3/1976	Zickos	84/421
4,036,462	7/1977	Sheftel	211/13 X
4,187,947	2/1980	Dunn et al.	211/13

Primary Examiner—Carmen H. Vales
Attorney, Agent, or Firm—Hugh H. Drake

[57] CLAIM

The ornamental design for a musical instrument stand, as shown and described.

DESCRIPTION

FIG. 1 is a perspective view of a musical instrument stand showing my new design, the broken lines indicating environmental structure and forming no part of the claimed design;

FIG. 2 is a top plan view thereof;

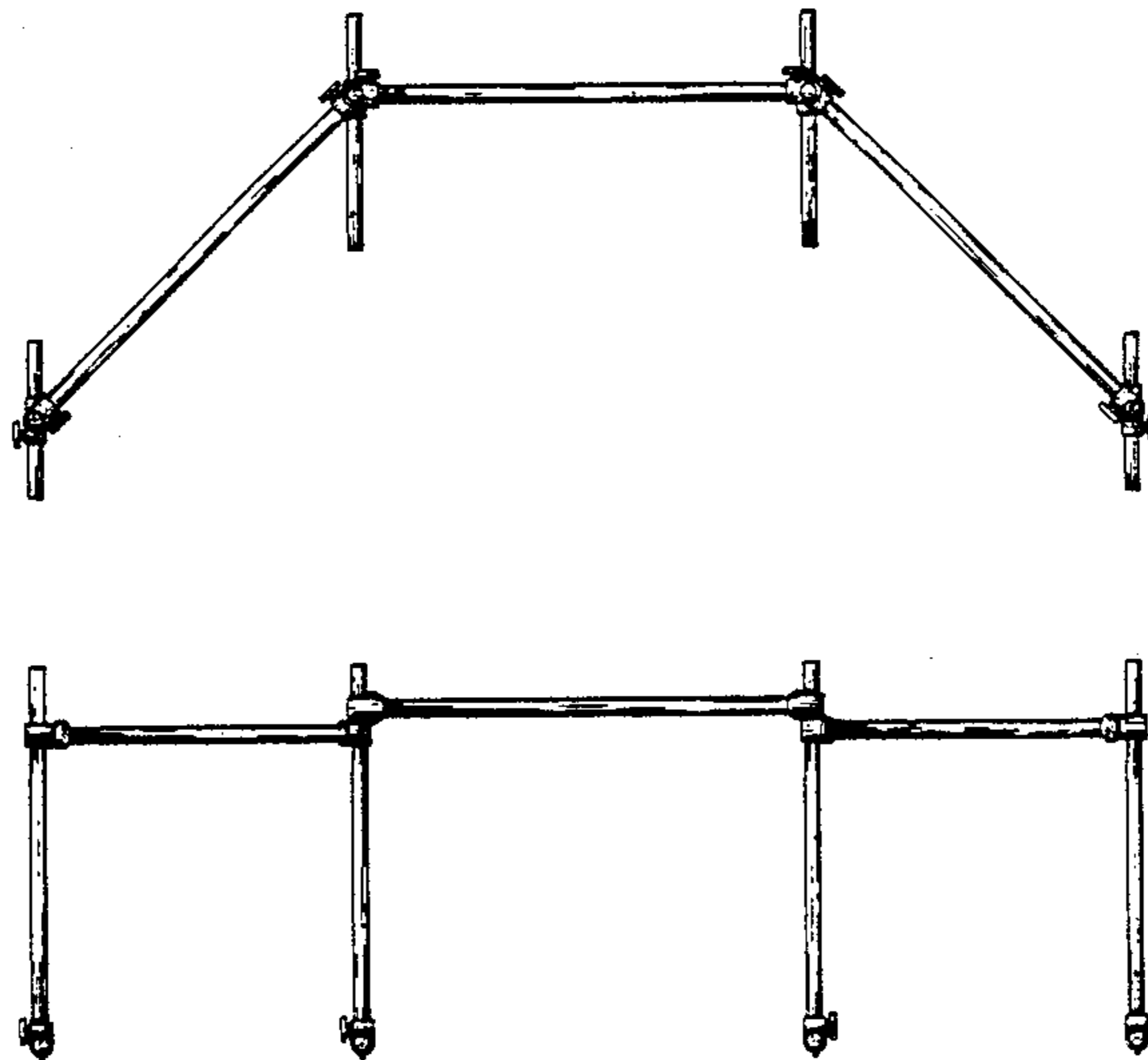
FIG. 3 is a front elevational view thereof;

FIG. 4 is a bottom plan view thereof;

FIG. 5 is a rear elevational view thereof;

FIG. 6 is a left side elevational view thereof; and

FIG. 7 is a right side elevational view thereof.



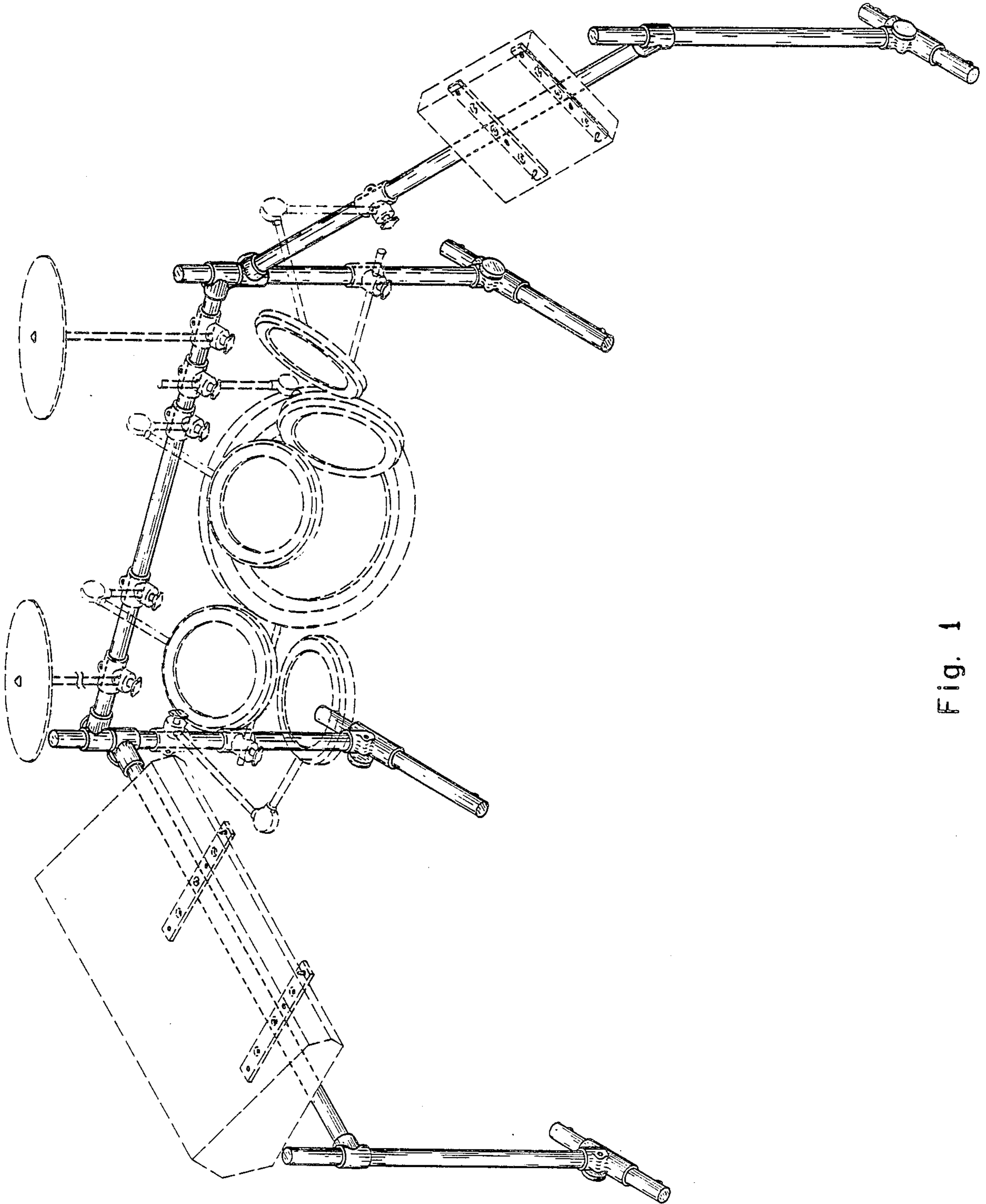


Fig. 1

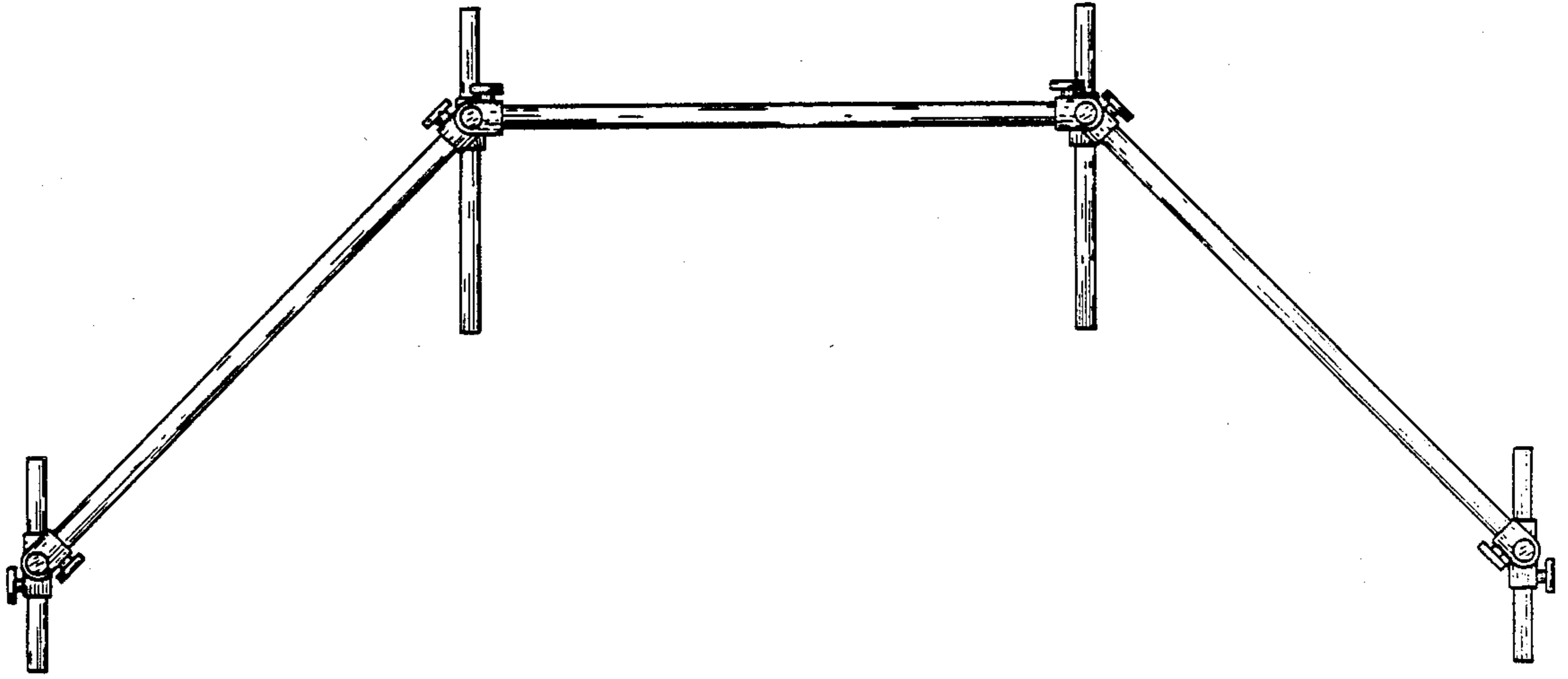


Fig. 2

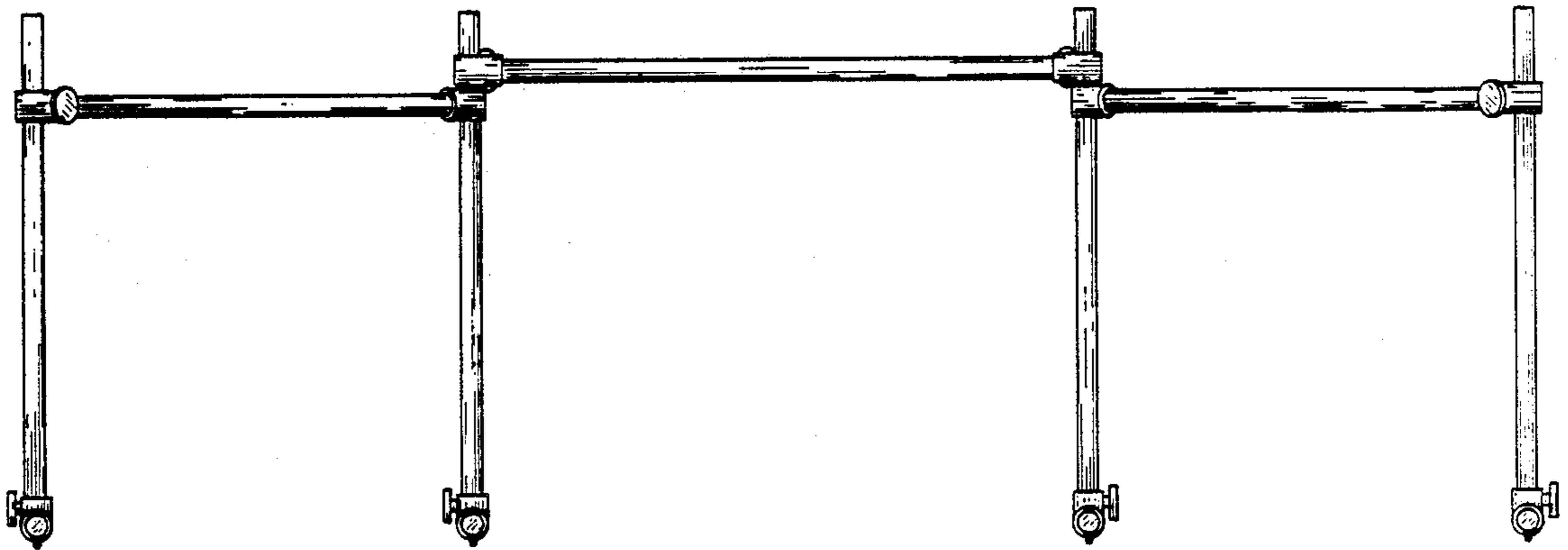


Fig. 3

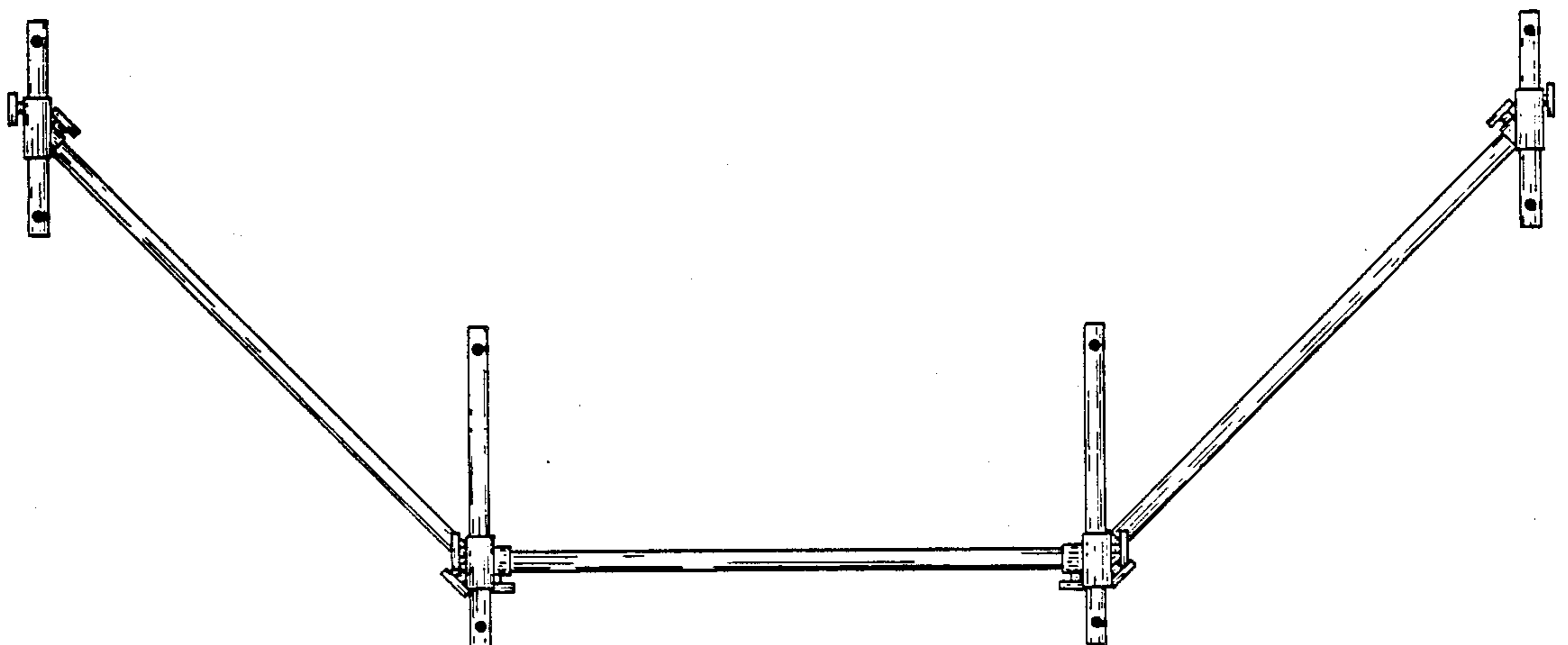


Fig. 4

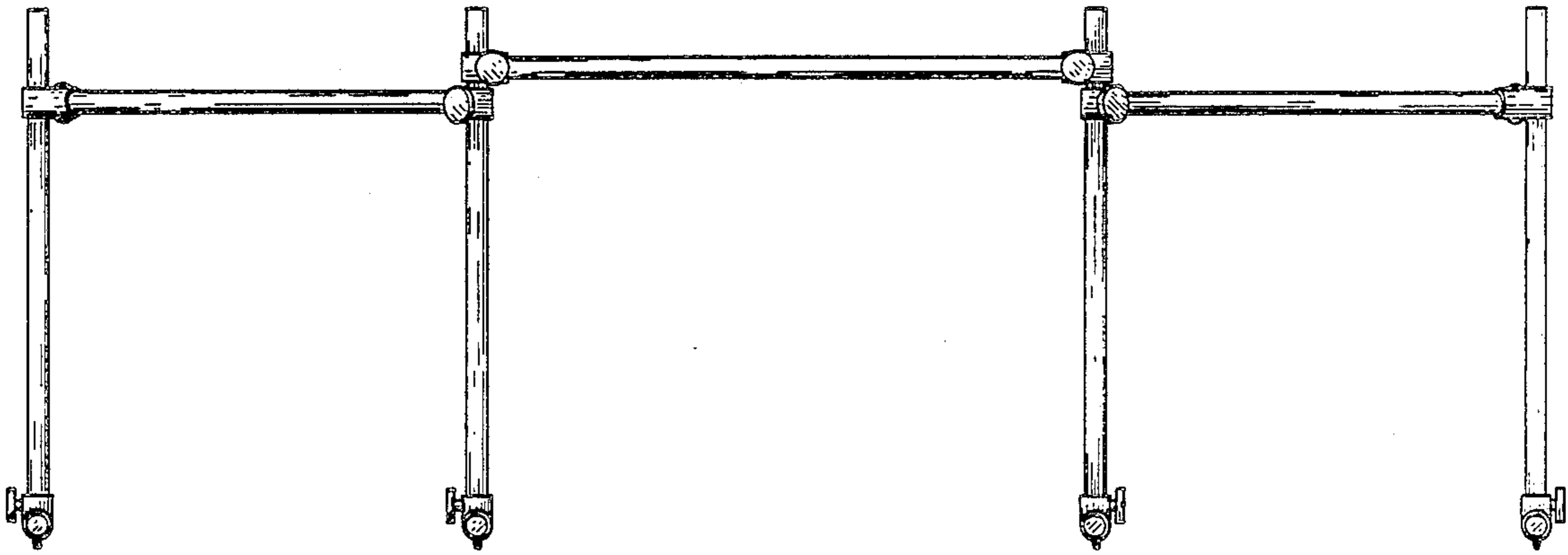


Fig. 5

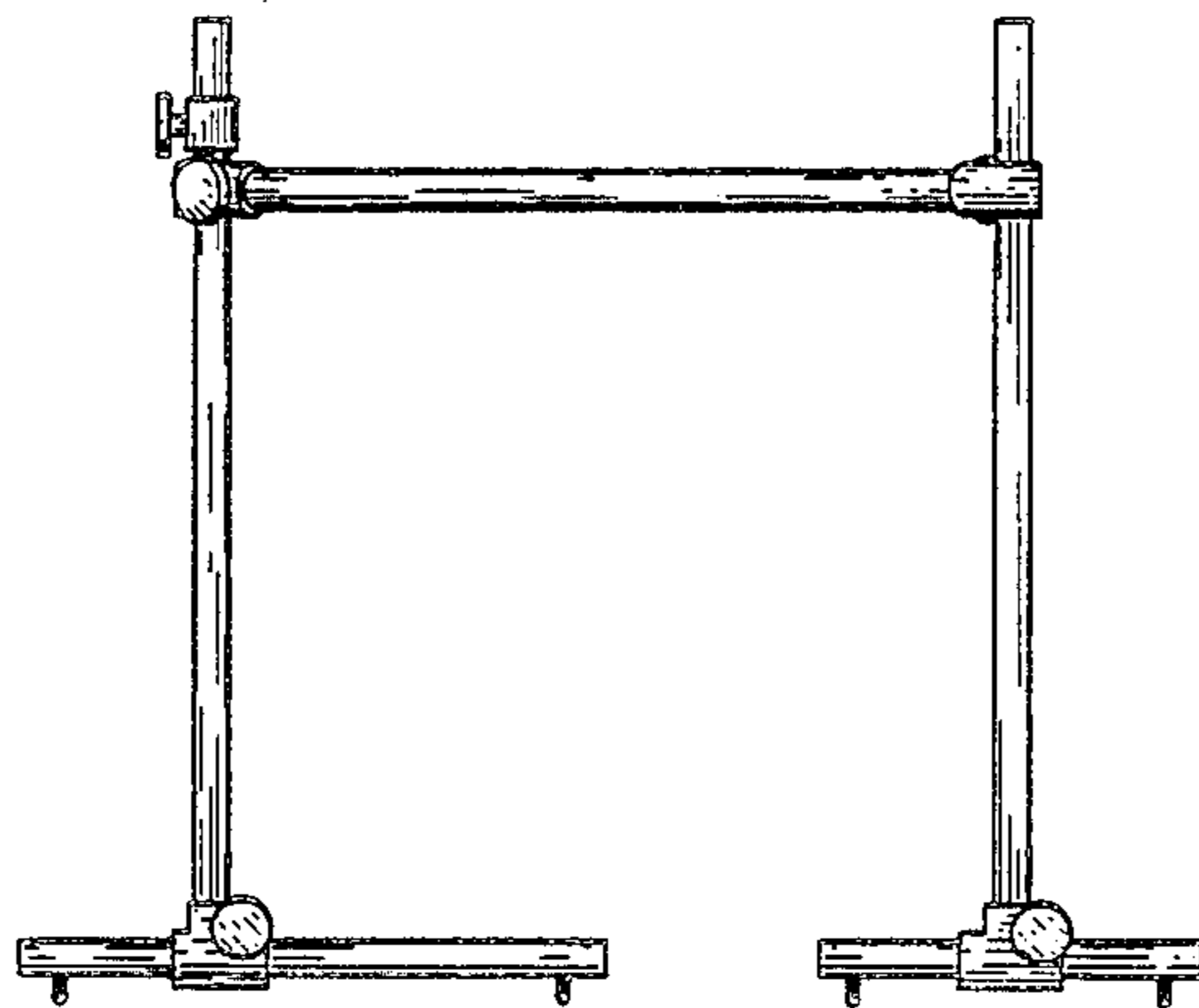


Fig. 6

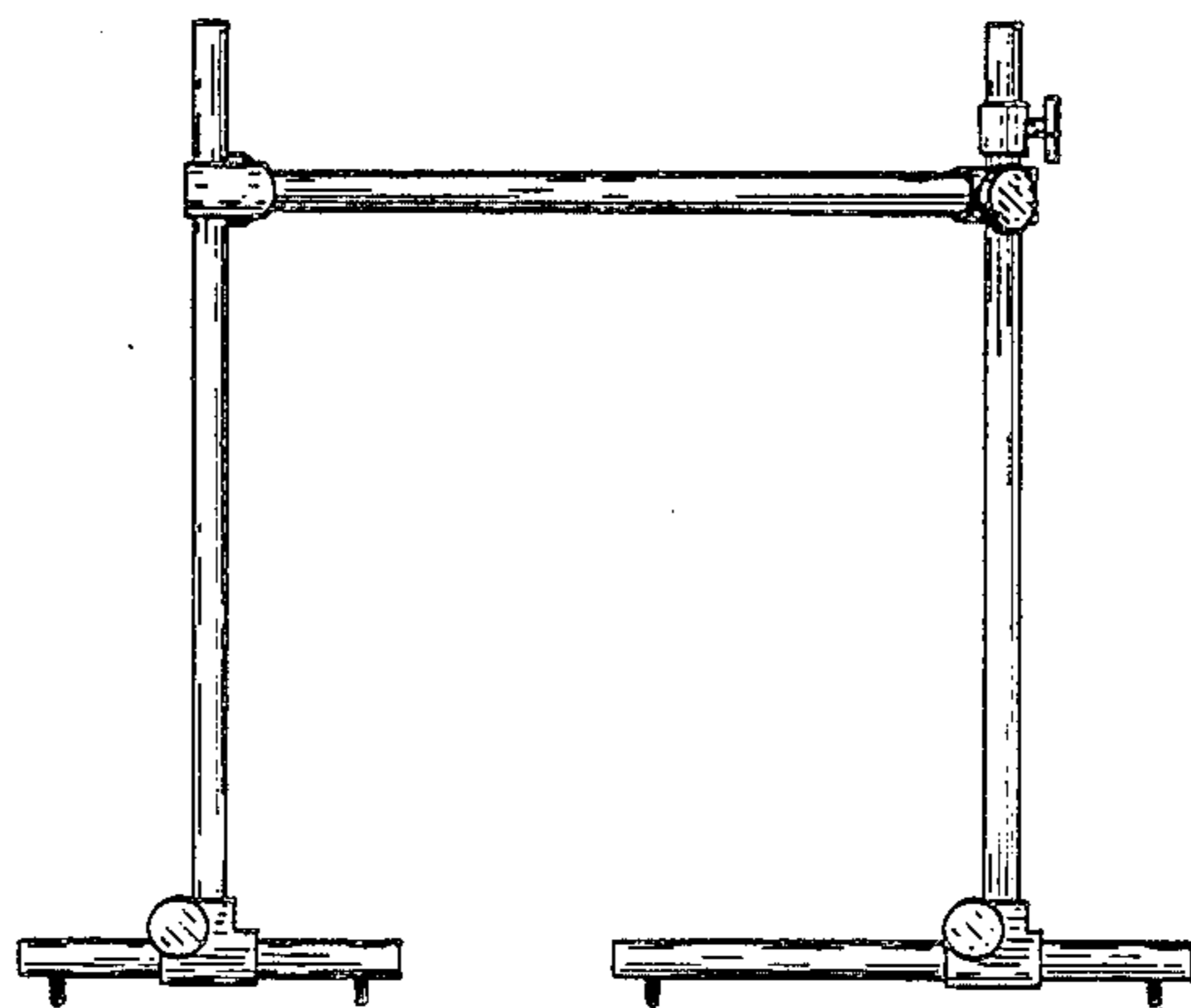


Fig. 7