

[54] MOBILE CABINET FOR OFFICE SUPPLIES

355,553 1/1887 Paget ..... D6/440 X  
3,036,722 5/1962 Sharaway ..... D34/17 X

[75] Inventor: Klaus Uredat-Neuhoff,  
Lindern/Oldenburg, Fed. Rep. of  
Germany

Primary Examiner—Carmen H. Vales  
Attorney, Agent, or Firm—Frank J. Jordan; C. Bruce  
Hamburg; Manabu Kanesaka

[73] Assignee: Inaba Seisakusho Ltd., Tokyo, Japan

[57] CLAIM

[\*\*] Term: 14 Years

The ornamental design for a mobile cabinet for office  
supplies, substantially as shown and described.

[21] Appl. No.: 807,054

DESCRIPTION

[22] Filed: Nov. 27, 1985

[30] Foreign Application Priority Data

Jun. 3, 1985 [JP] Japan ..... 60-23038

[52] U.S. Cl. .... D6/440; D6/448

[58] Field of Search ..... D6/432, 440, 448;  
D34/12, 17, 19; 312/114

FIG. 1 is a top perspective view of a mobile cabinet for  
office supplies, showing my new design;  
FIG. 2 is a bottom perspective view with the handle in  
extended condition;  
FIG. 3 is a front elevational of FIG. 1;  
FIG. 4 is a rear elevational view thereof;  
FIG. 5 is a top plan view thereof;  
FIG. 6 is a bottom plan view thereof;  
FIG. 7 is a side elevational view thereof;  
FIG. 8 is a vertical longitudinal cross-sectional side  
view thereof;  
FIG. 9 is a front elevational view of FIG. 2; and  
FIG. 10 is a side elevational view thereof.

[56] References Cited

U.S. PATENT DOCUMENTS

- D. 93,860 11/1934 Wolters ..... D6/440
- D. 195,855 8/1963 Schmitz ..... D6/440
- D. 242,197 11/1976 Herr et al. .... D6/448

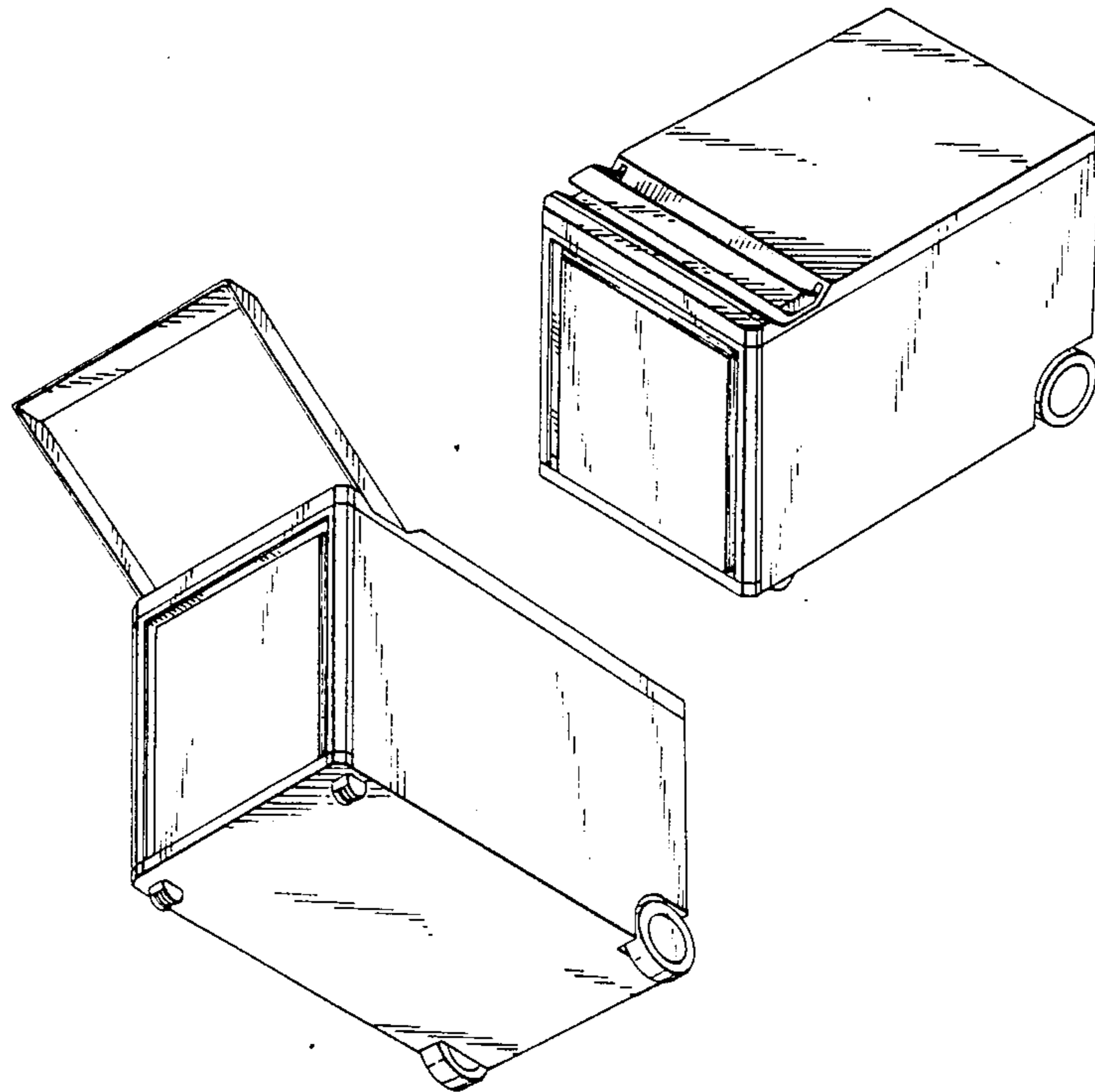


FIG. 1

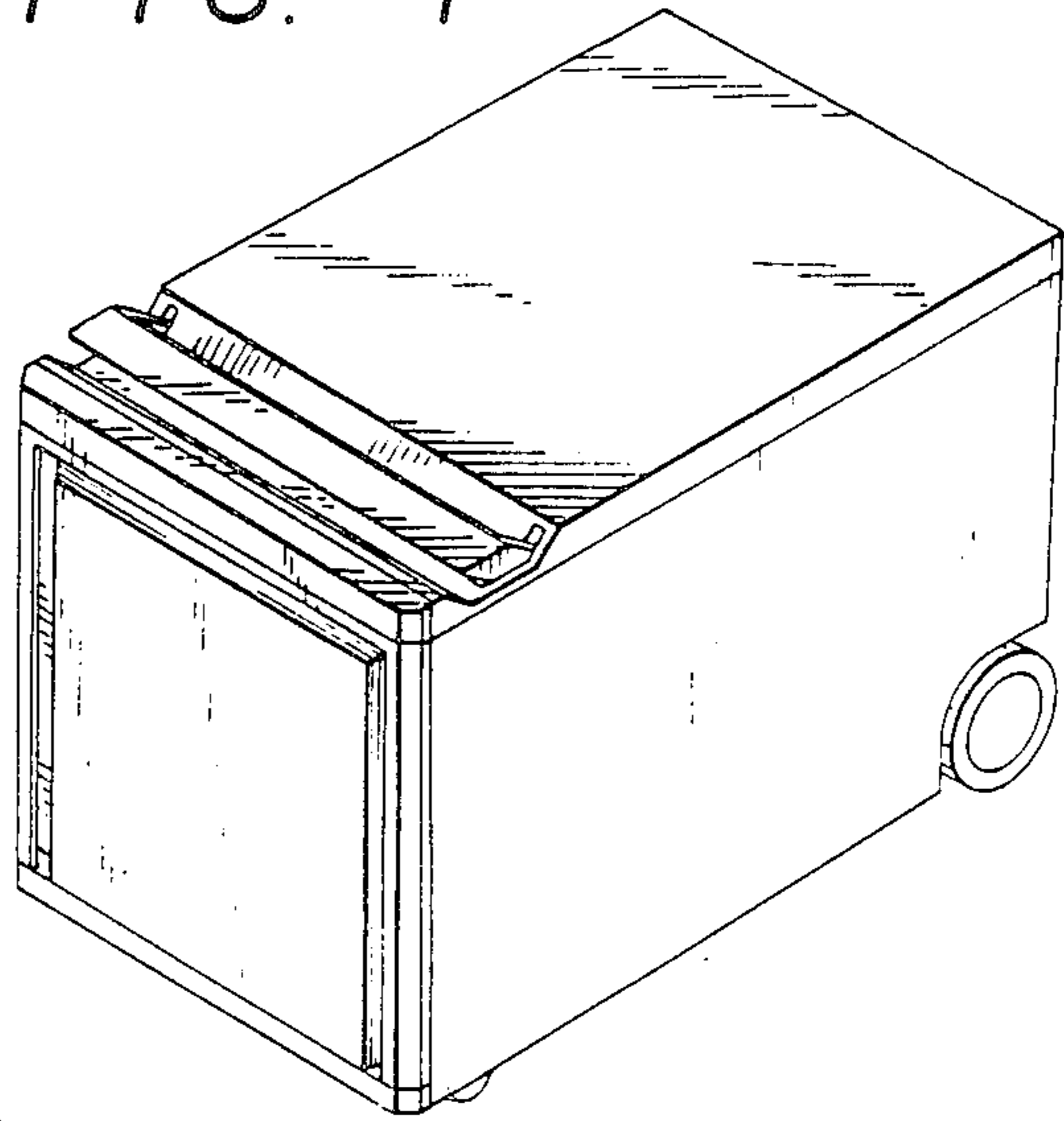


FIG. 2

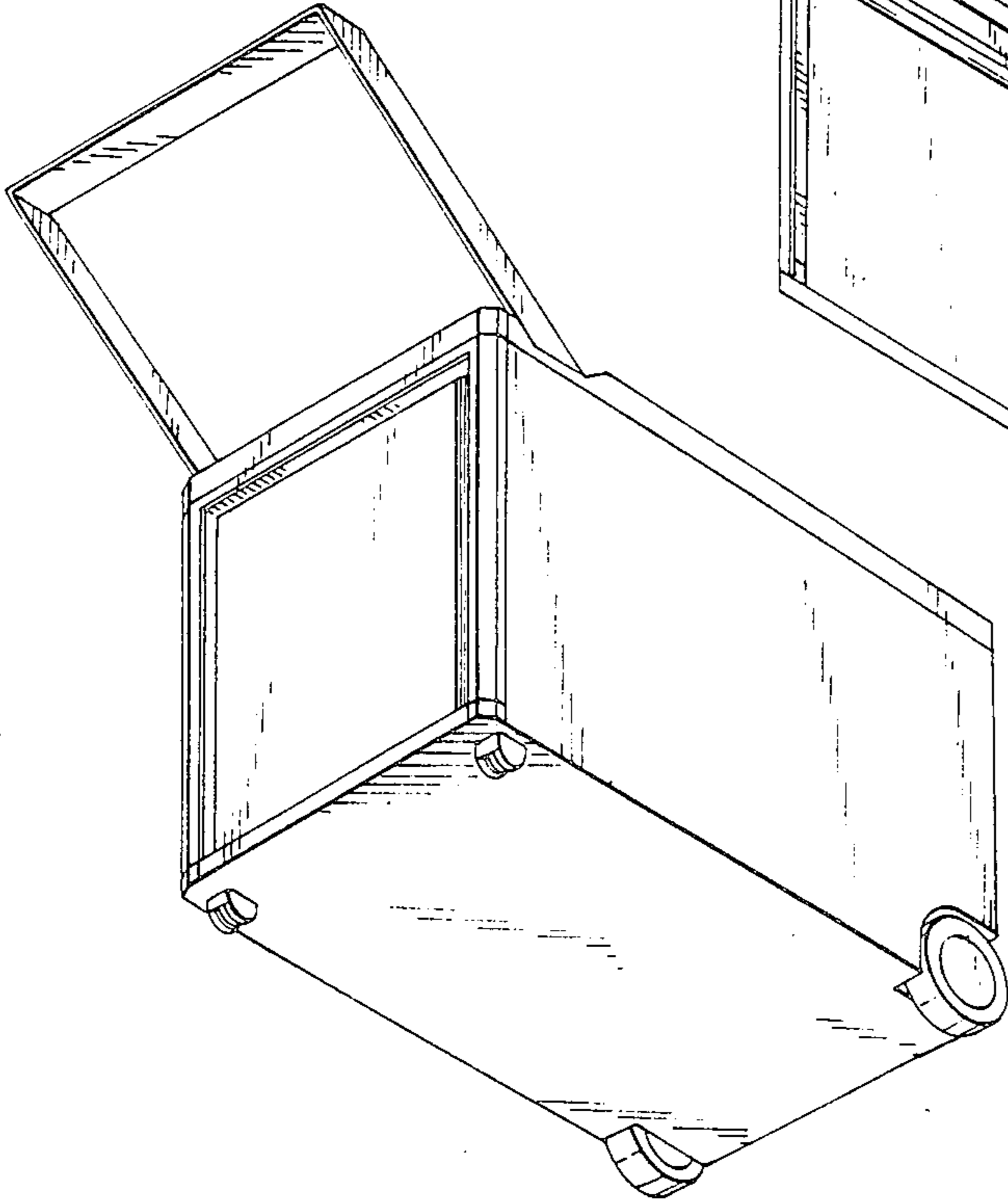


FIG. 3

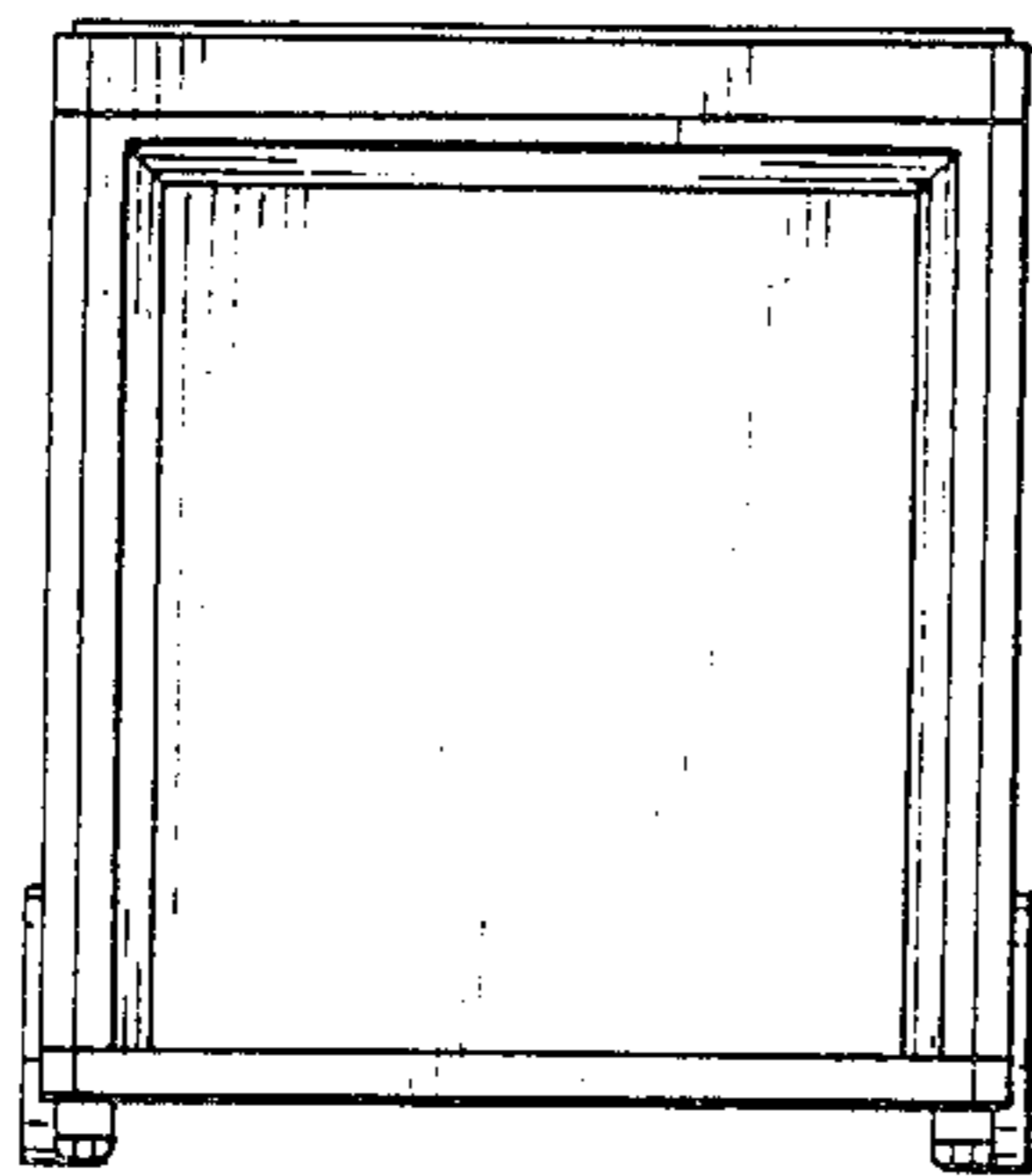


FIG. 4

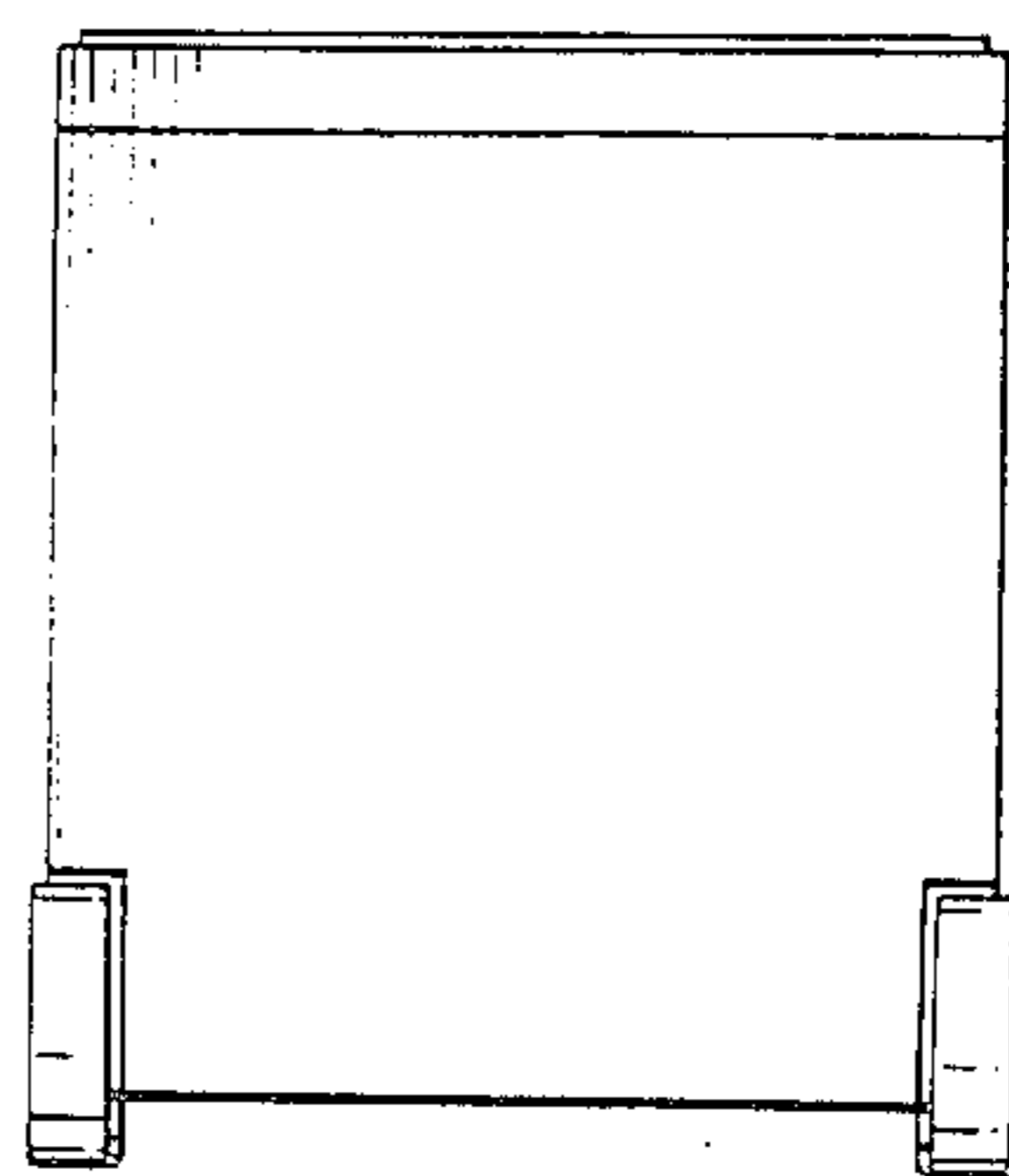


FIG. 5

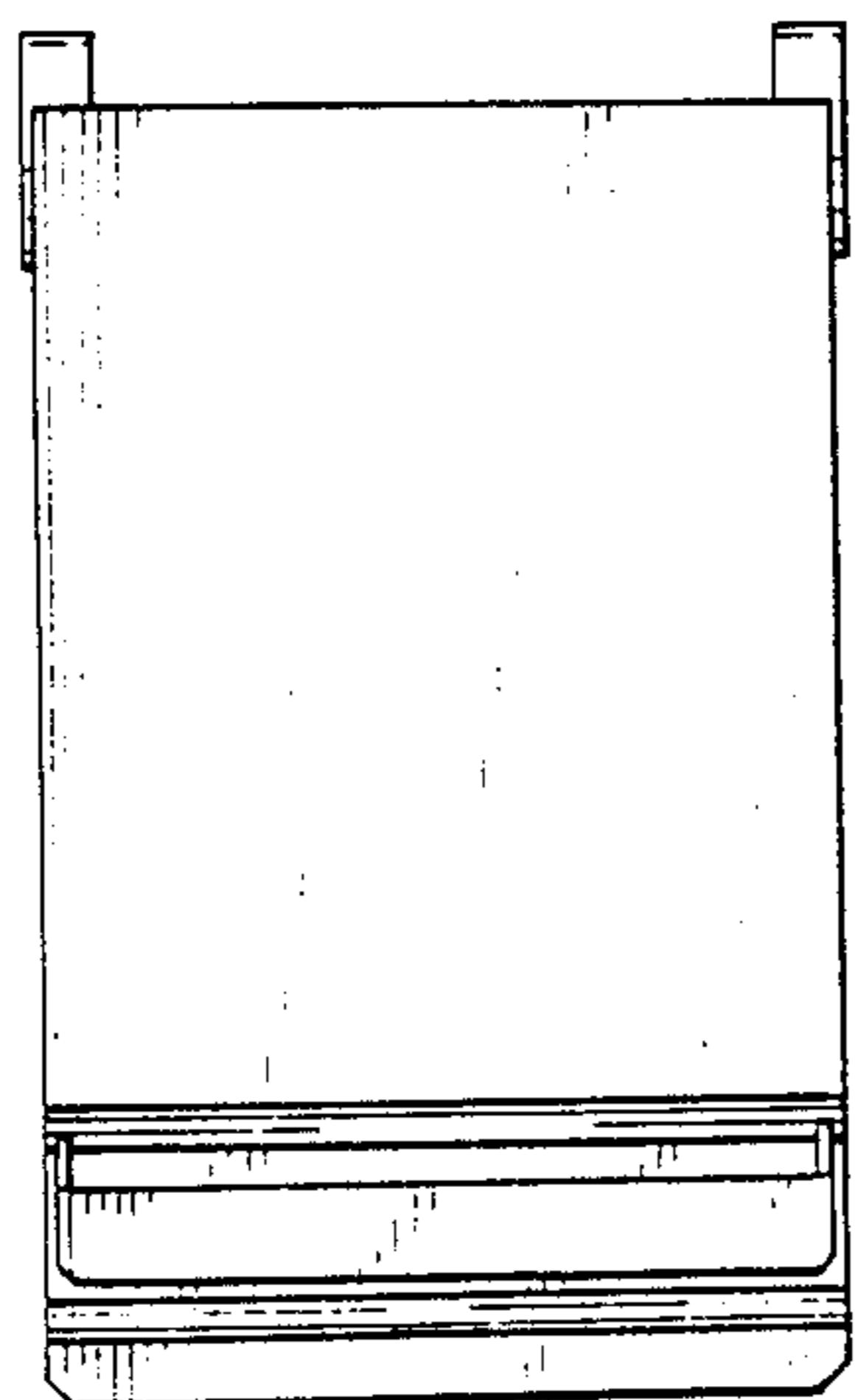


FIG. 6

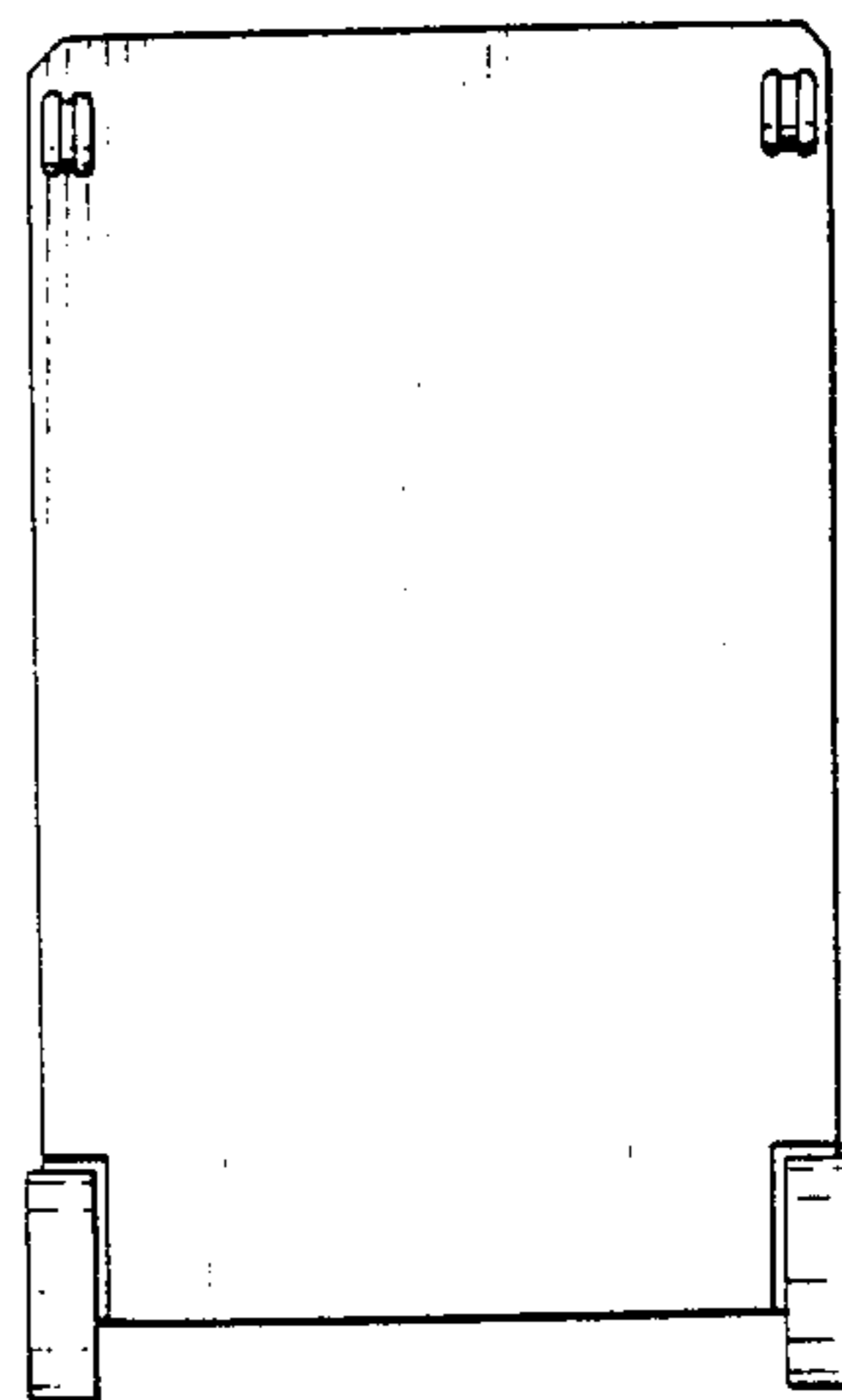


FIG. 7

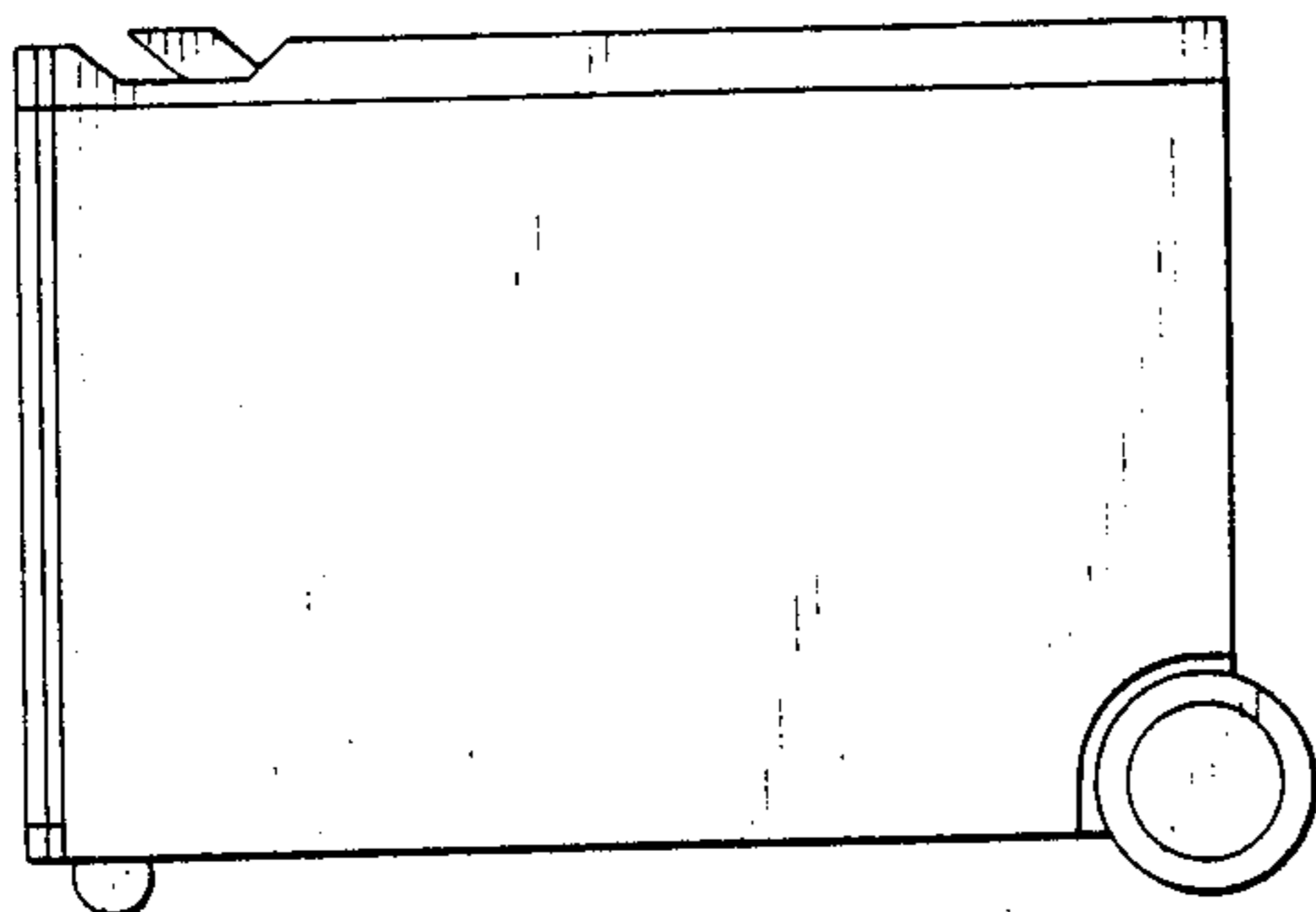


FIG. 8

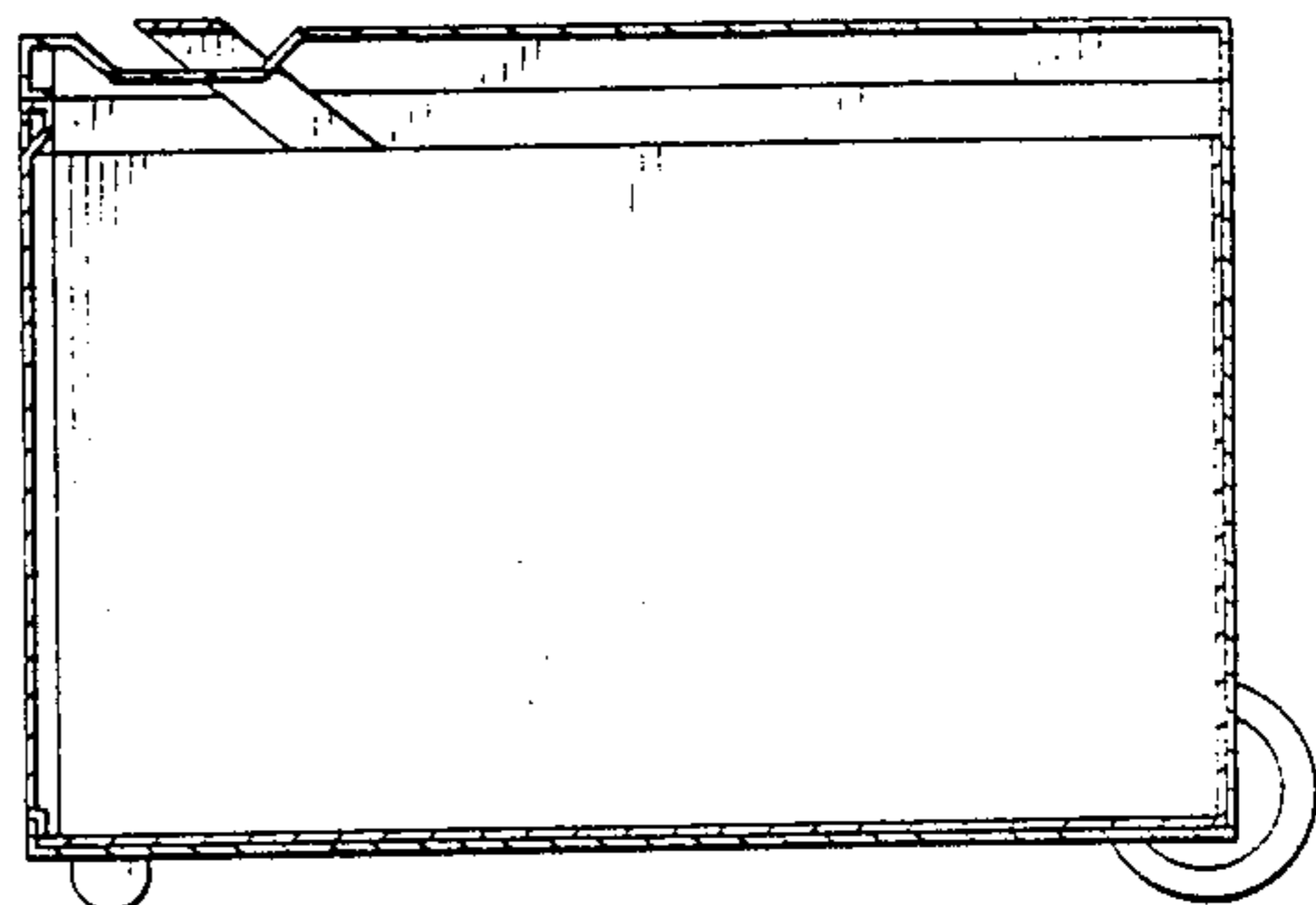


FIG. 9

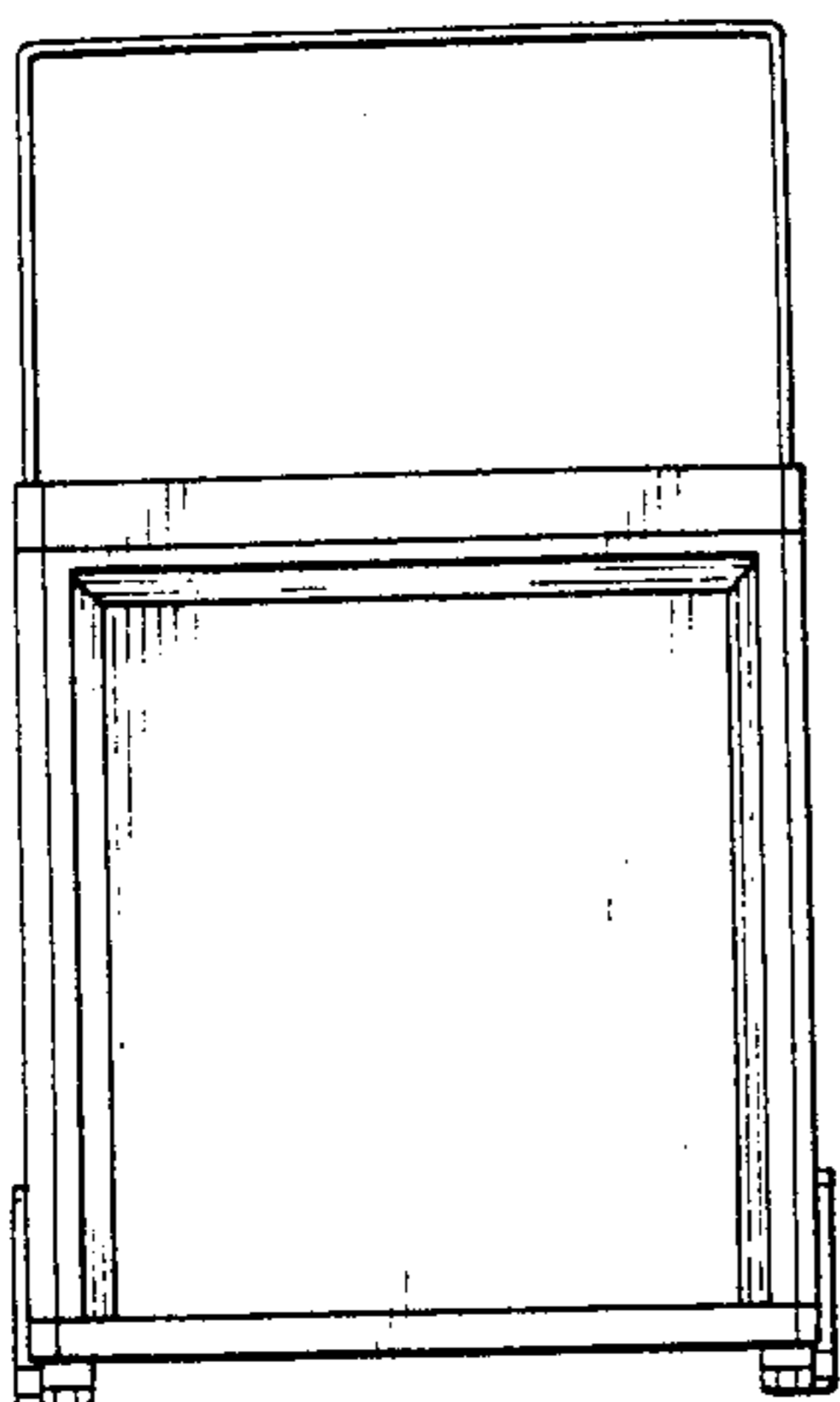


FIG. 10

