

[54] **REMOTE CONTROL TV TABLE**

[76] **Inventor: Bruce L. Green, 7001 Wolfin St., #2061, Amarillo, Tex. 79106**

[**] **Term: 14 Years**

[21] **Appl. No.: 787,480**

[22] **Filed: Oct. 15, 1985**

[52] **U.S. Cl. D6/436**

[58] **Field of Search D6/432, 396, 436, 397, D6/406, 448, 449, 480; 312/114; 248/349**

[56] **References Cited**

U.S. PATENT DOCUMENTS

- D. 55,884 7/1920 Poll D6/436
- D. 82,622 11/1930 Pauli D6/436

- D. 90,955 10/1933 Reagan D6/436
- D. 110,541 7/1938 Hickerson D6/436
- 2,470,165 5/1949 Hartzler 248/349 X

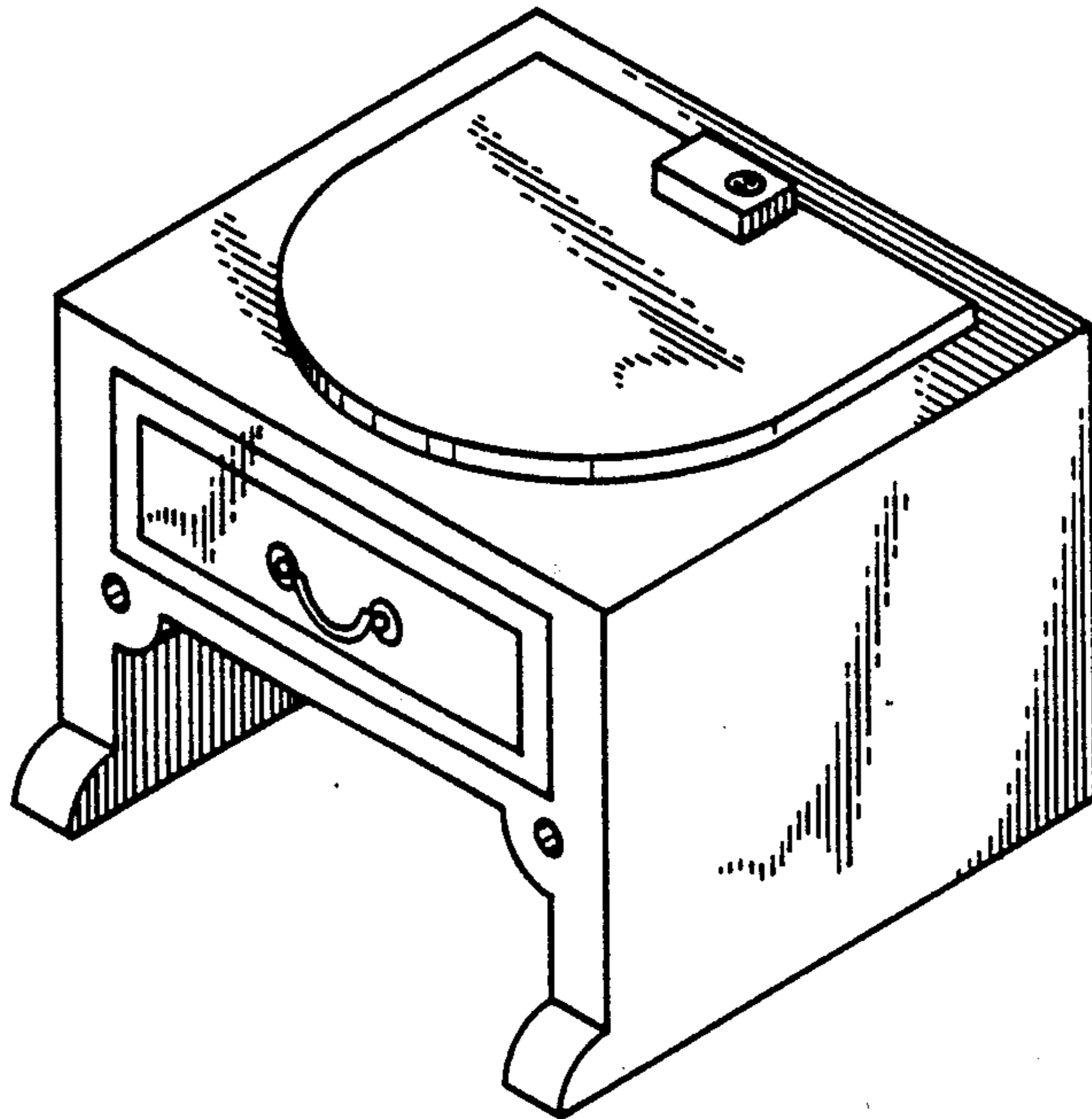
Primary Examiner—Carmen H. Vales
Attorney, Agent, or Firm—W. C. Tupman

[57] **CLAIM**

The ornamental design for a remote control TV table, substantially as shown and described.

DESCRIPTION

FIG. 1 is a perspective view of a remote control TV table showing my new design;
FIG. 2 is a right side elevational view, the left side being a mirror image thereof;
FIG. 3 is a top plan view thereof; and
FIG. 4 is a rear perspective view thereof.



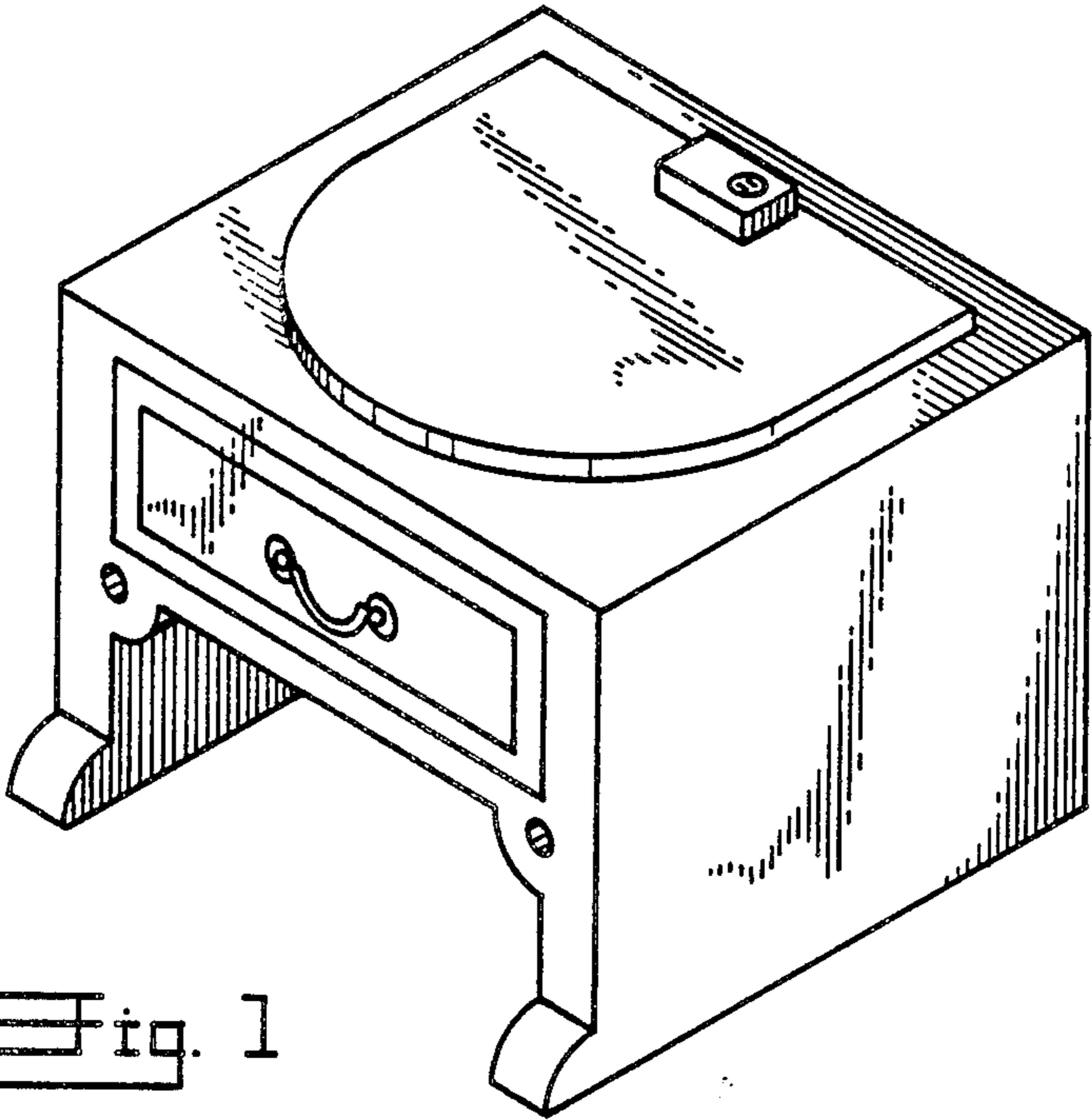


Fig. 1

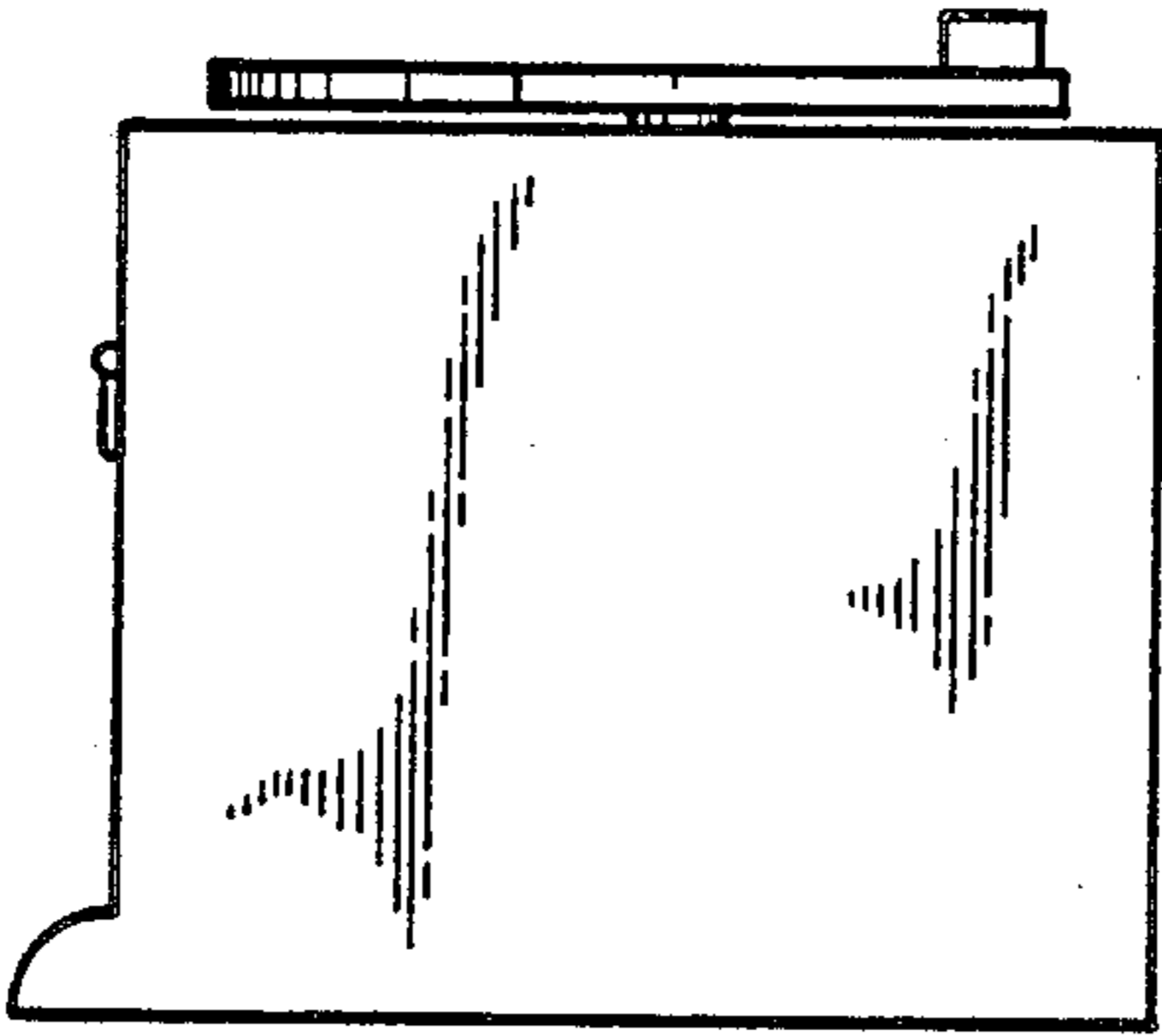


Fig. 2

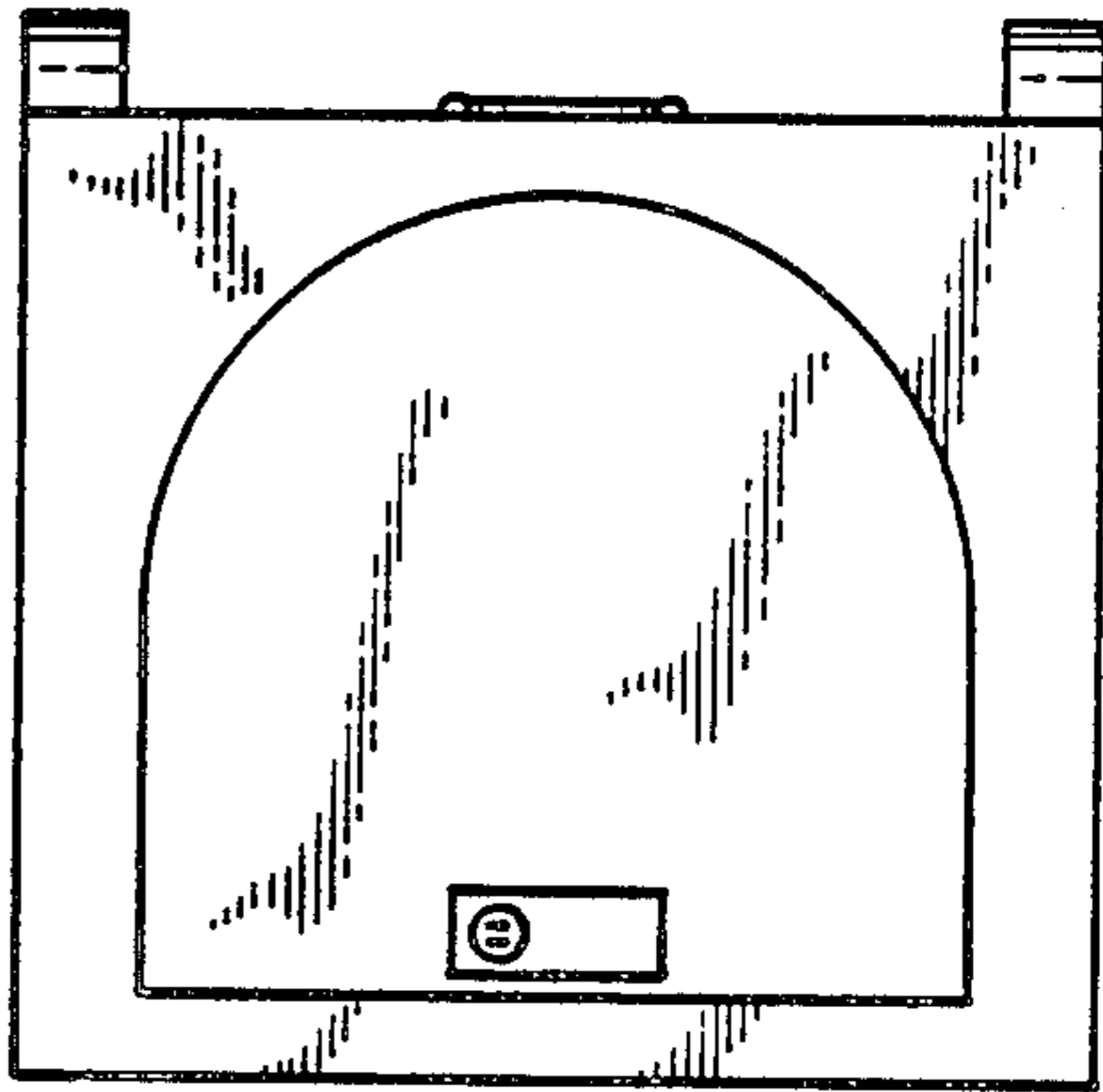


Fig. 3

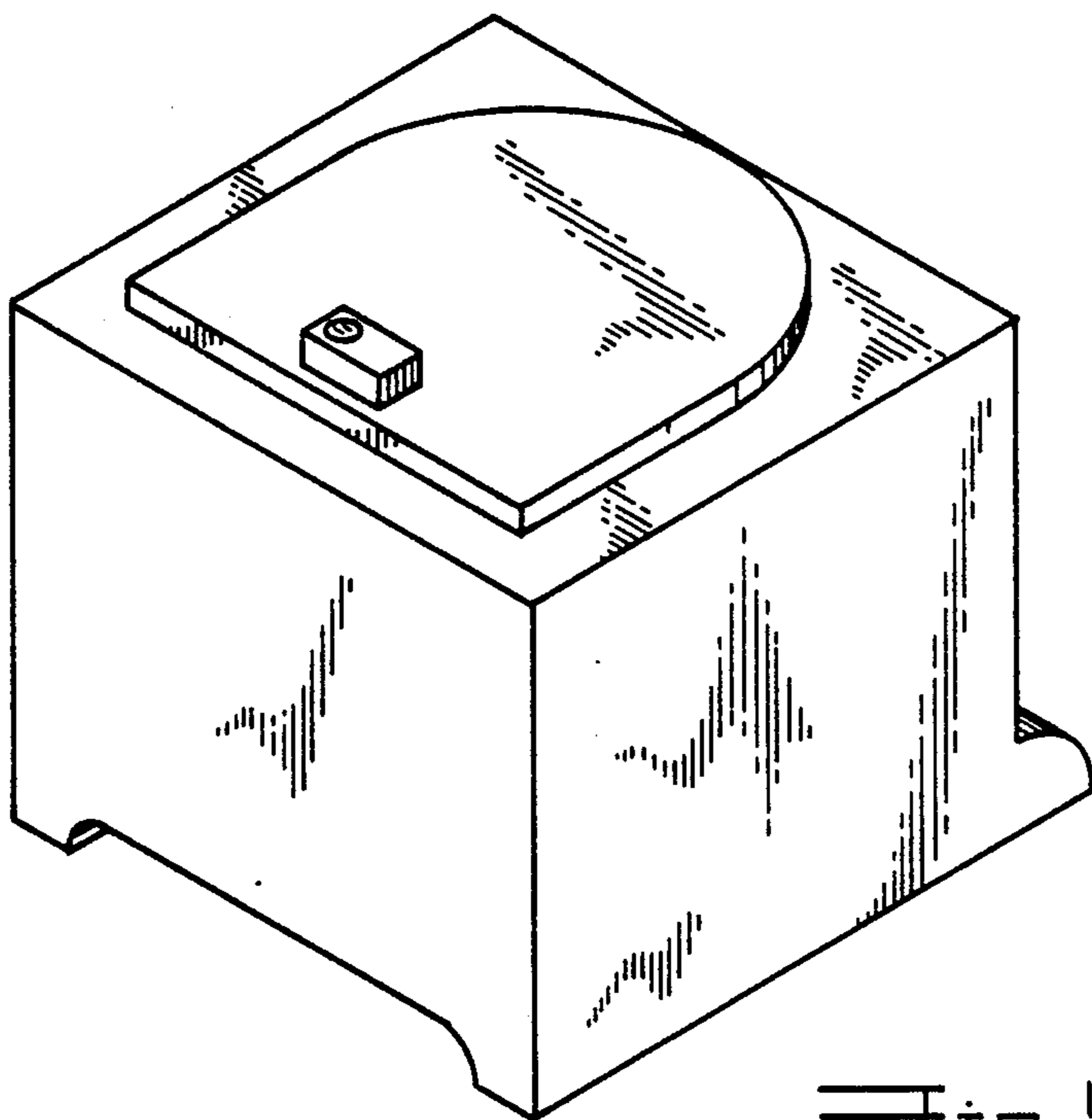


Fig. 4