

[54] **CHAIR**

[75] **Inventor: Mario Bellini, Milan, Italy**  
[73] **Assignee: Fehlbaum & Co., Switzerland**  
[\*] **Notice: The portion of the term of this patent subsequent to Jan. 5, 2002 has been disclaimed.**

[\*\*] **Term: 14 Years**

[21] **Appl. No.: 690,689**

[22] **Filed: Jan. 11, 1985**

[52] **U.S. Cl. .... D6/366**

[58] **Field of Search ..... D6/364, 365, 366, 375,  
D6/379, 380; 297/445**

[56] **References Cited**

**U.S. PATENT DOCUMENTS**

D. 267,680 1/1983 Leffler et al. .... D6/366  
D. 274,675 7/1984 Diffrient ..... D6/366  
D. 285,629 9/1986 Franck et al. .... D6/366

**OTHER PUBLICATIONS**

Interiors, Dec. 1978, p. 98, Chair top center.

Industrial Design, Nov./Dec., 1977, p. 44, Chair right center, by Norton.

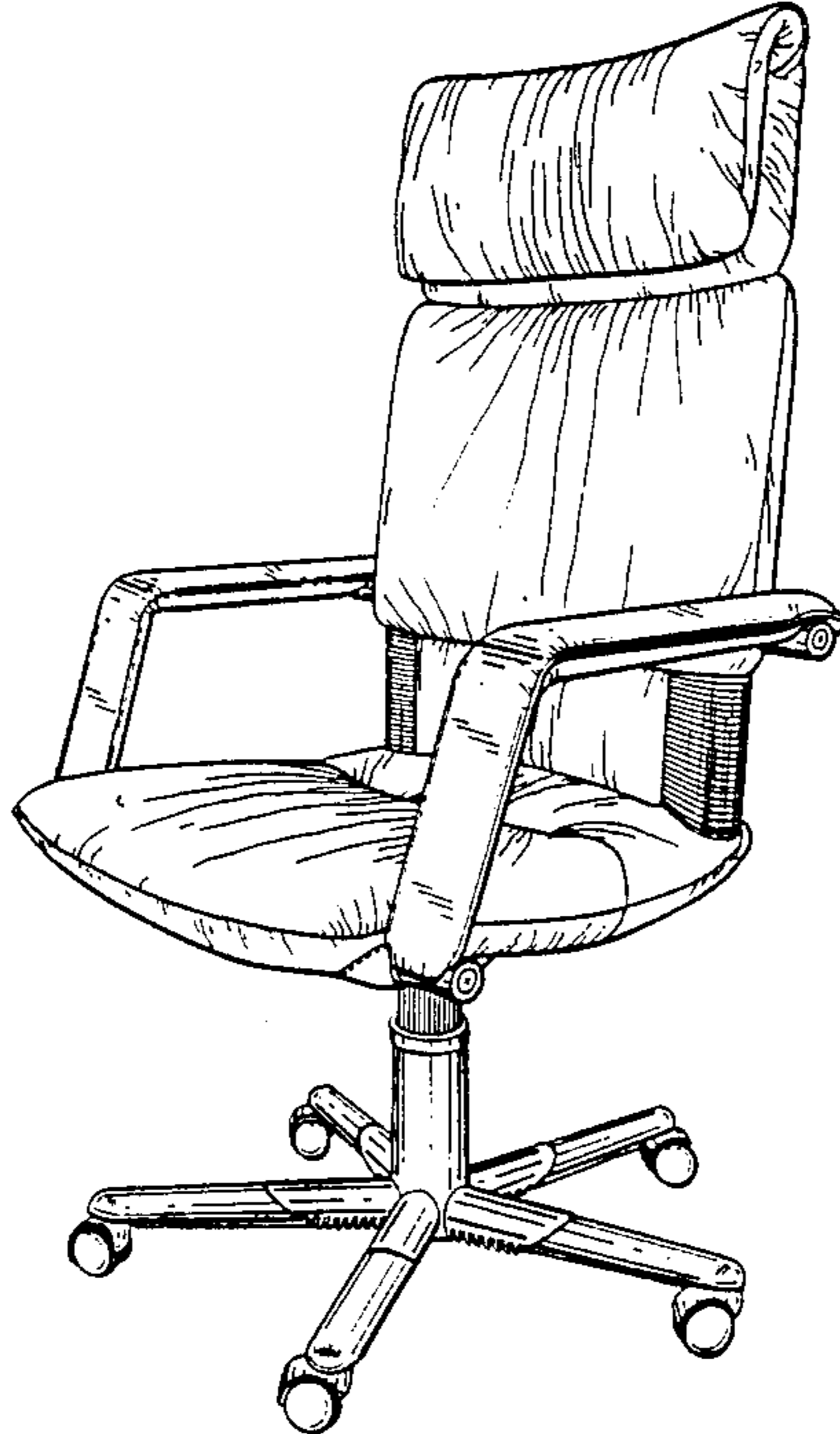
*Primary Examiner*—Bruce W. Dunkins  
*Attorney, Agent, or Firm*—Ladas & Parry

[57] **CLAIM**

The ornamental design for a chair, as shown.

**DESCRIPTION**

FIG. 1 is a front perspective view showing a chair according to my new design;  
FIG. 2 is a front elevational view thereof;  
FIG. 3 is a side elevational view thereof;  
FIG. 4 is a rear perspective view thereof;  
FIG. 5 is a rear elevational view thereof;  
FIG. 6 is a fragmentary view of the top portion thereof on a larger scale;  
FIG. 7 is a fragmentary view of a side portion thereof on a larger scale;  
FIG. 8 is a fragmentary view of another side portion thereof on a larger scale;  
FIG. 9 is a rear fragmentary view of a lower portion thereof on a larger scale;  
FIG. 10 is a fragmentary view of a portion of the armrest thereof on a larger scale;  
FIG. 11 is a bottom fragmentary plan view thereof on a larger scale.



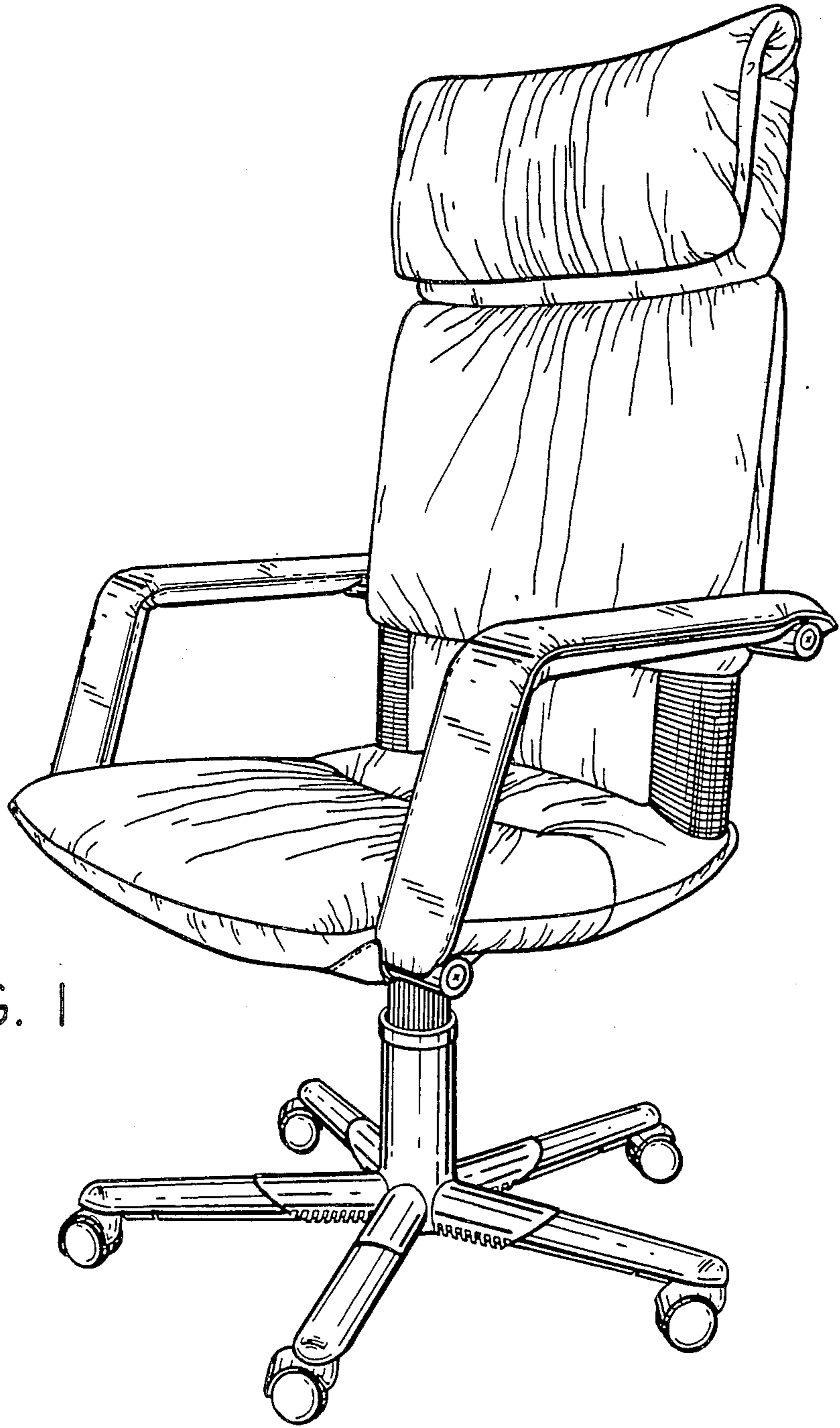


FIG. 1

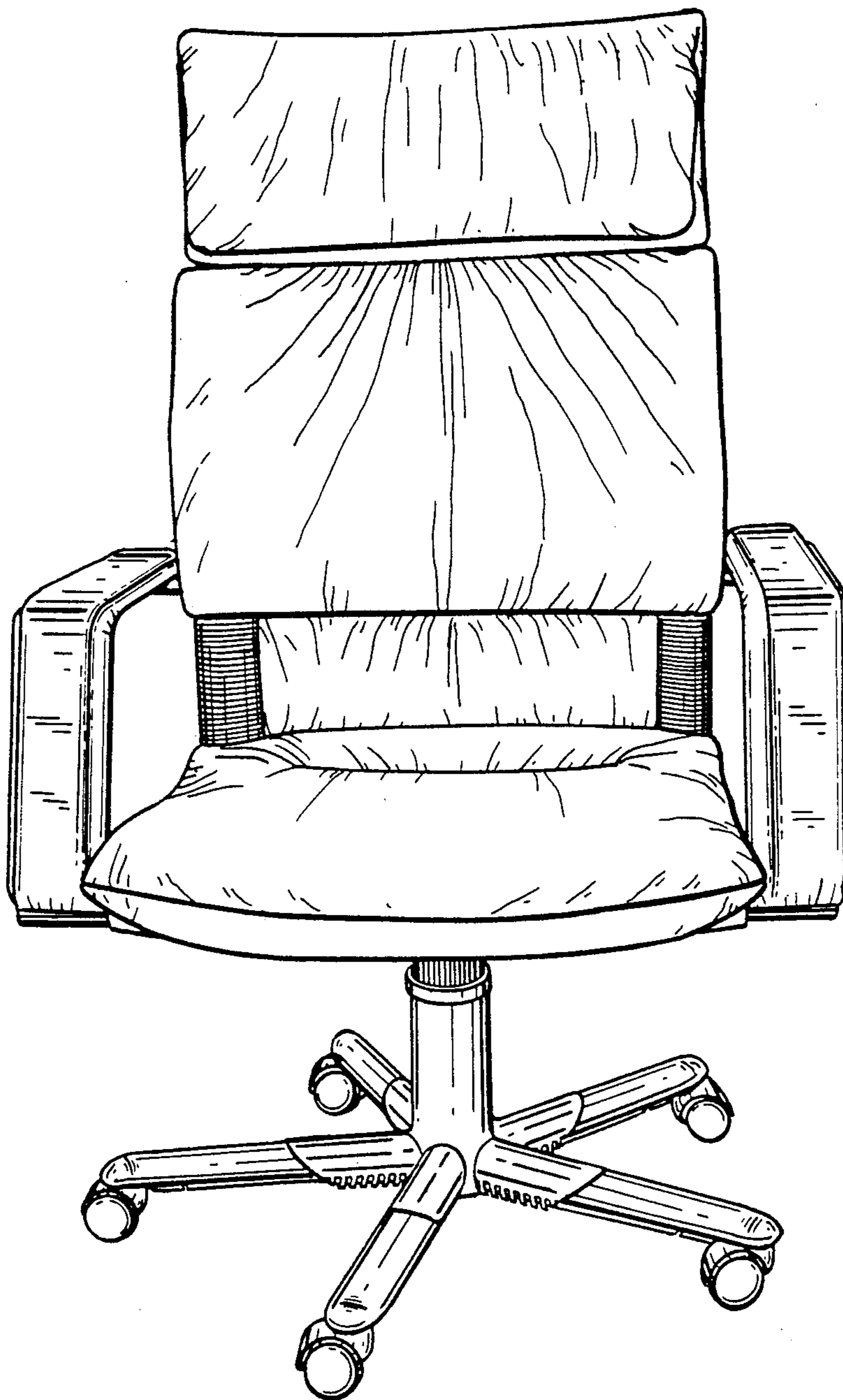


FIG. 2

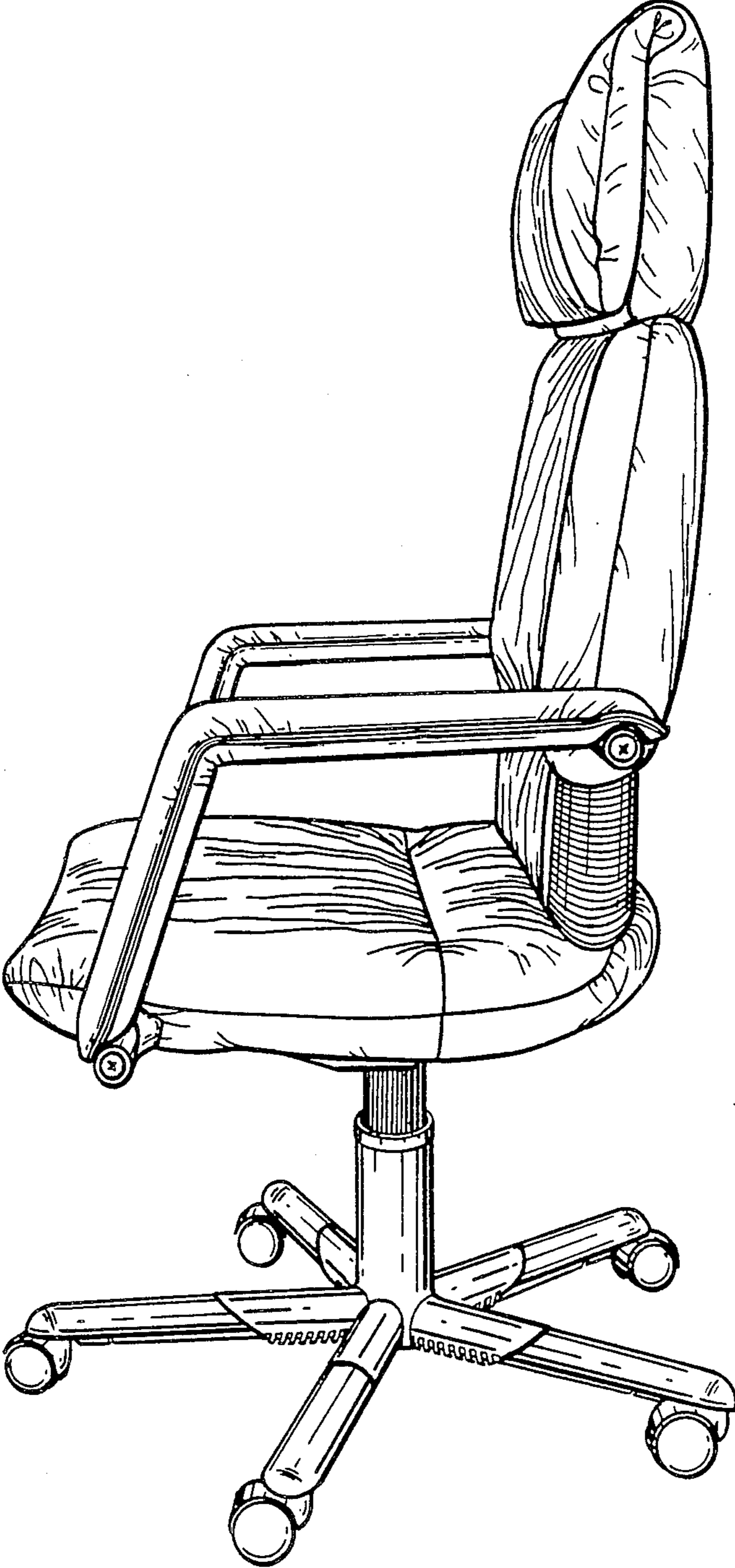


FIG. 3



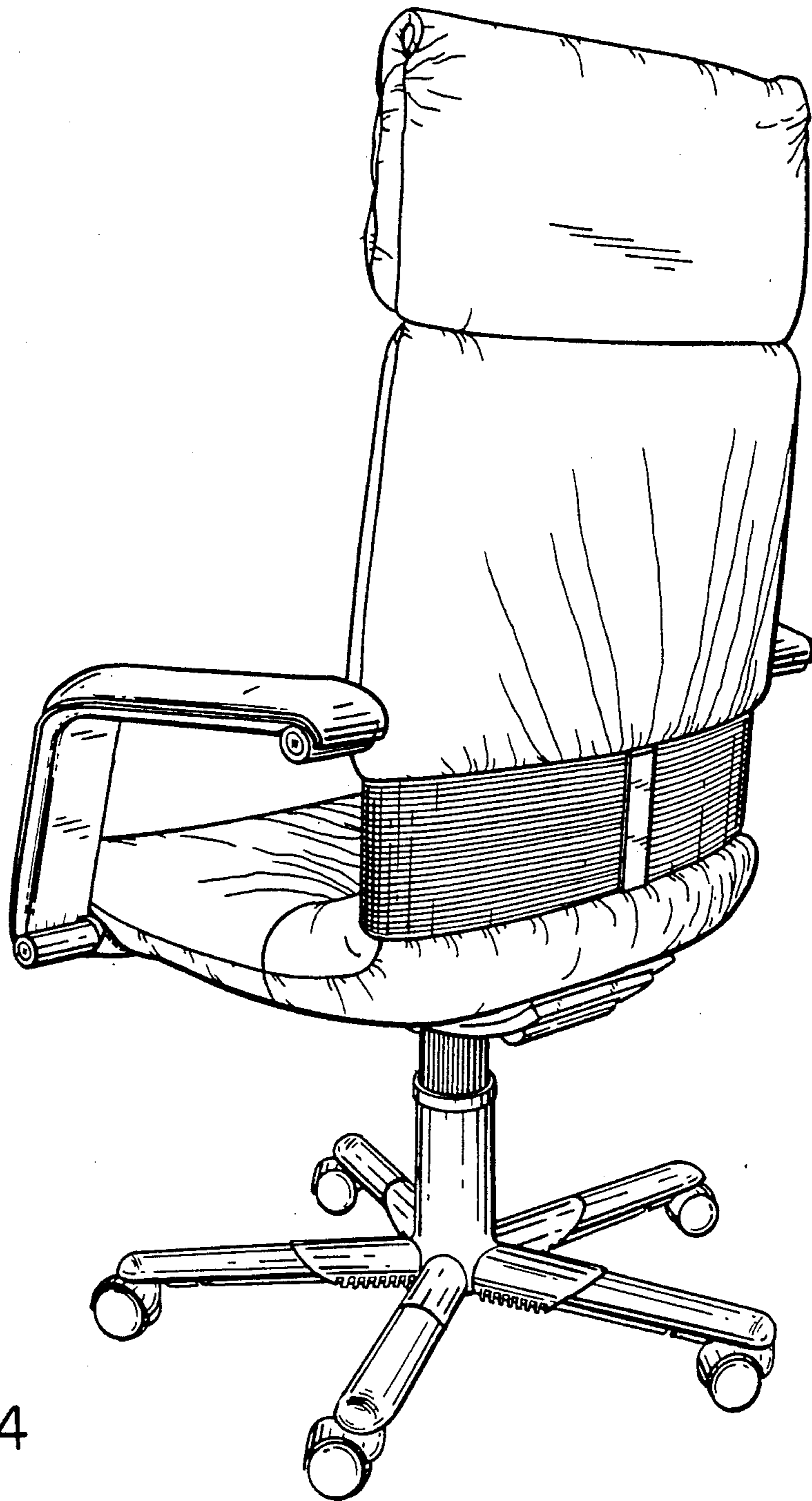


FIG. 4

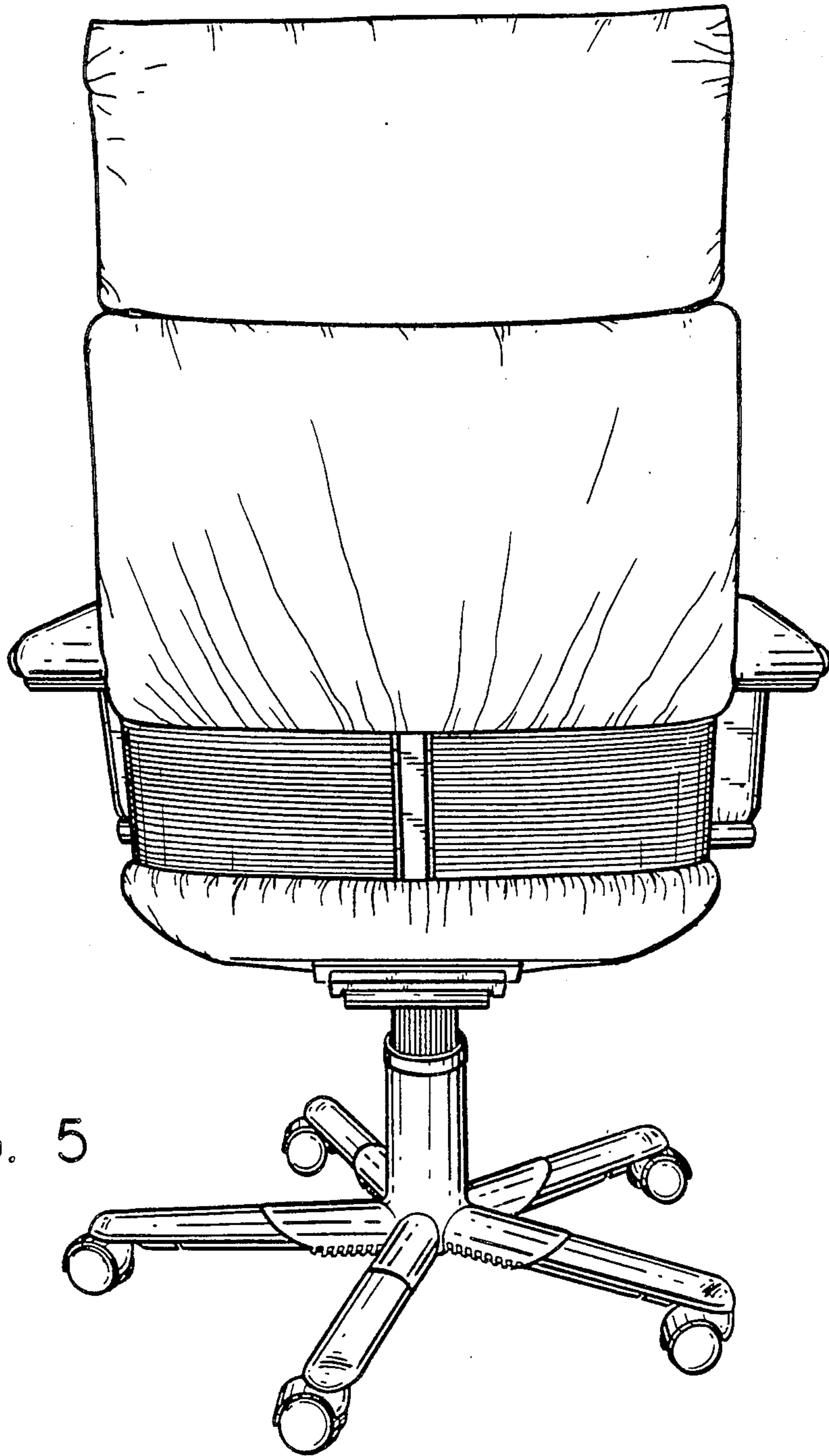


FIG. 5

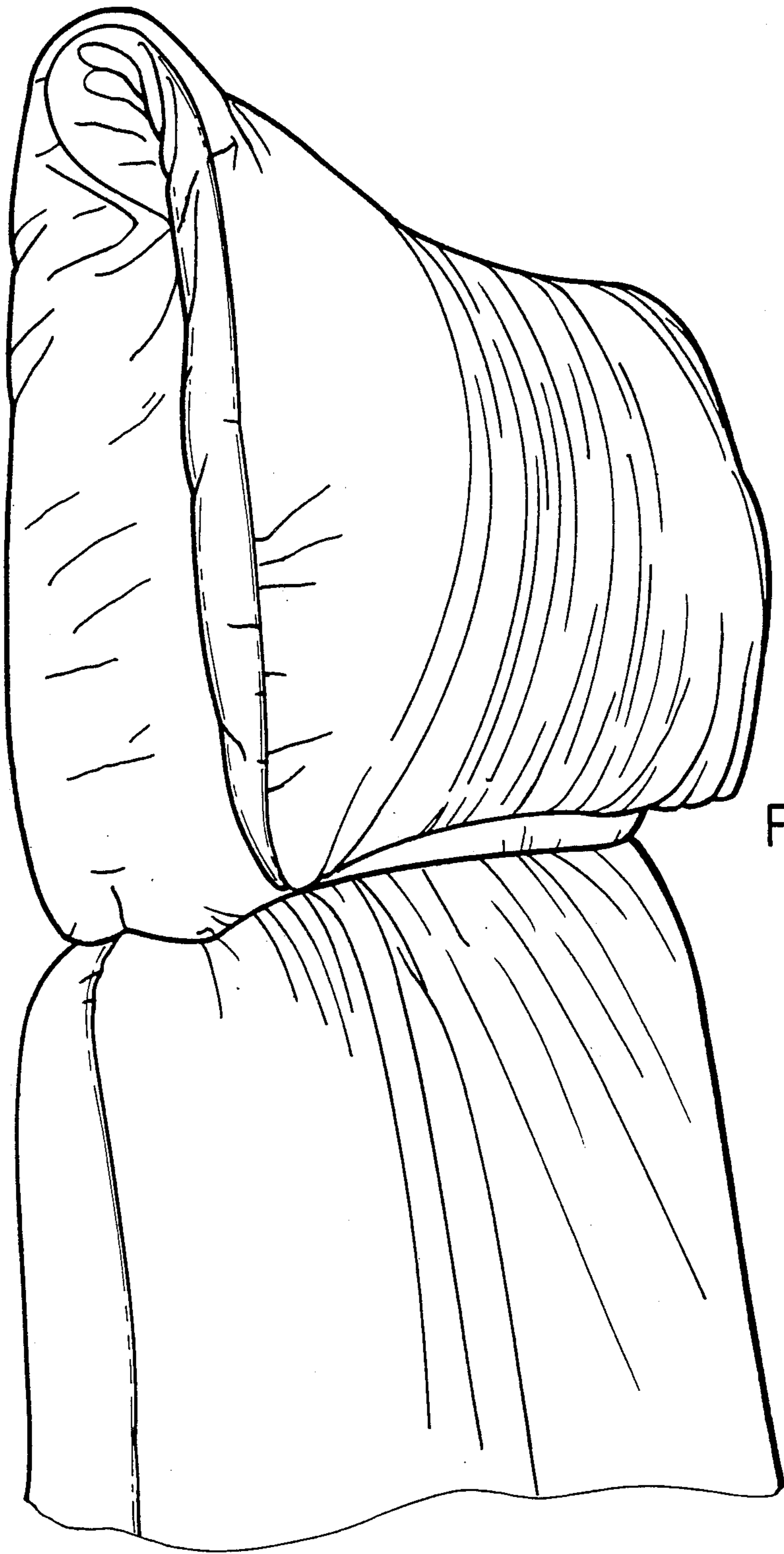


FIG. 6

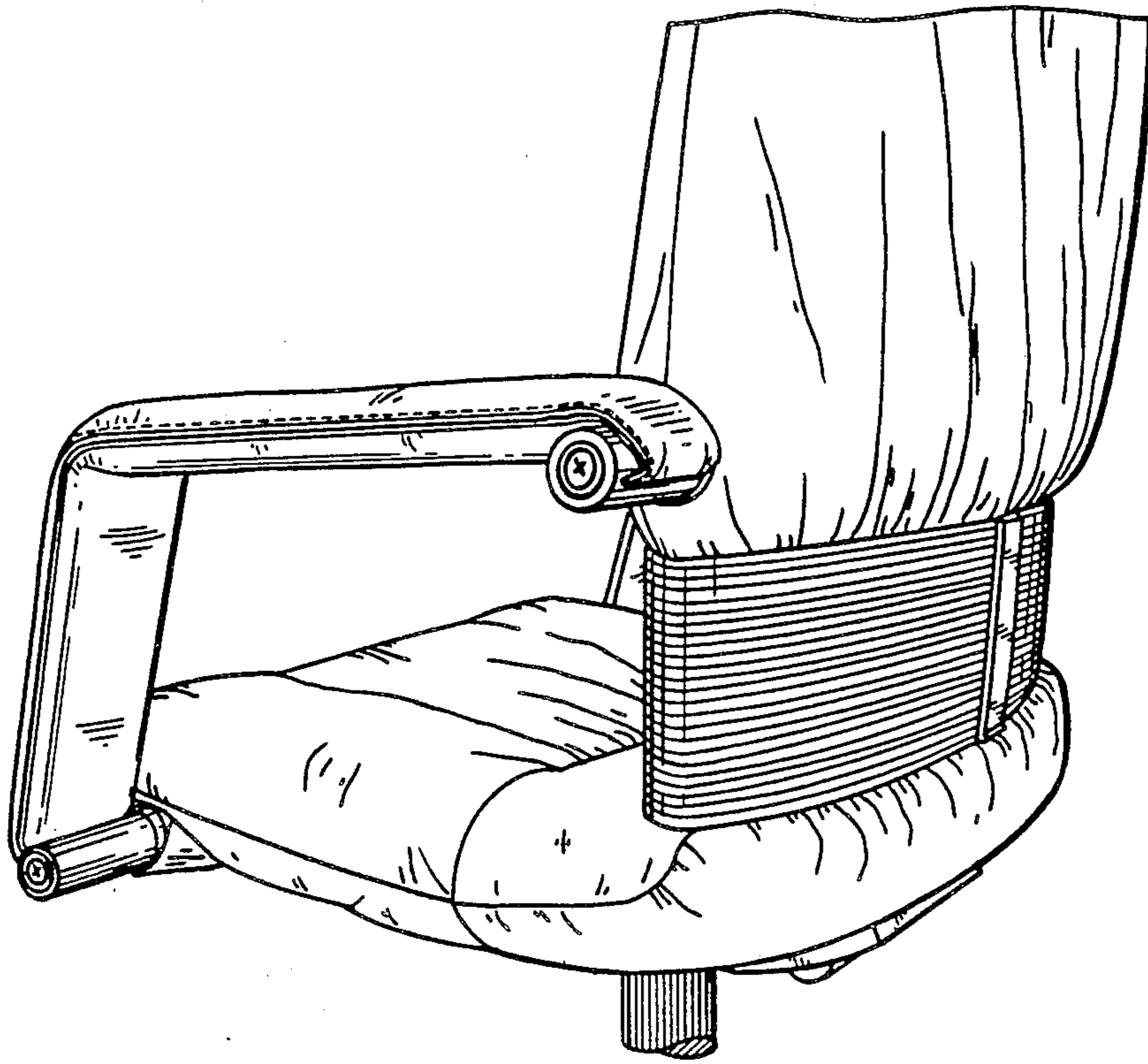


Fig. 7



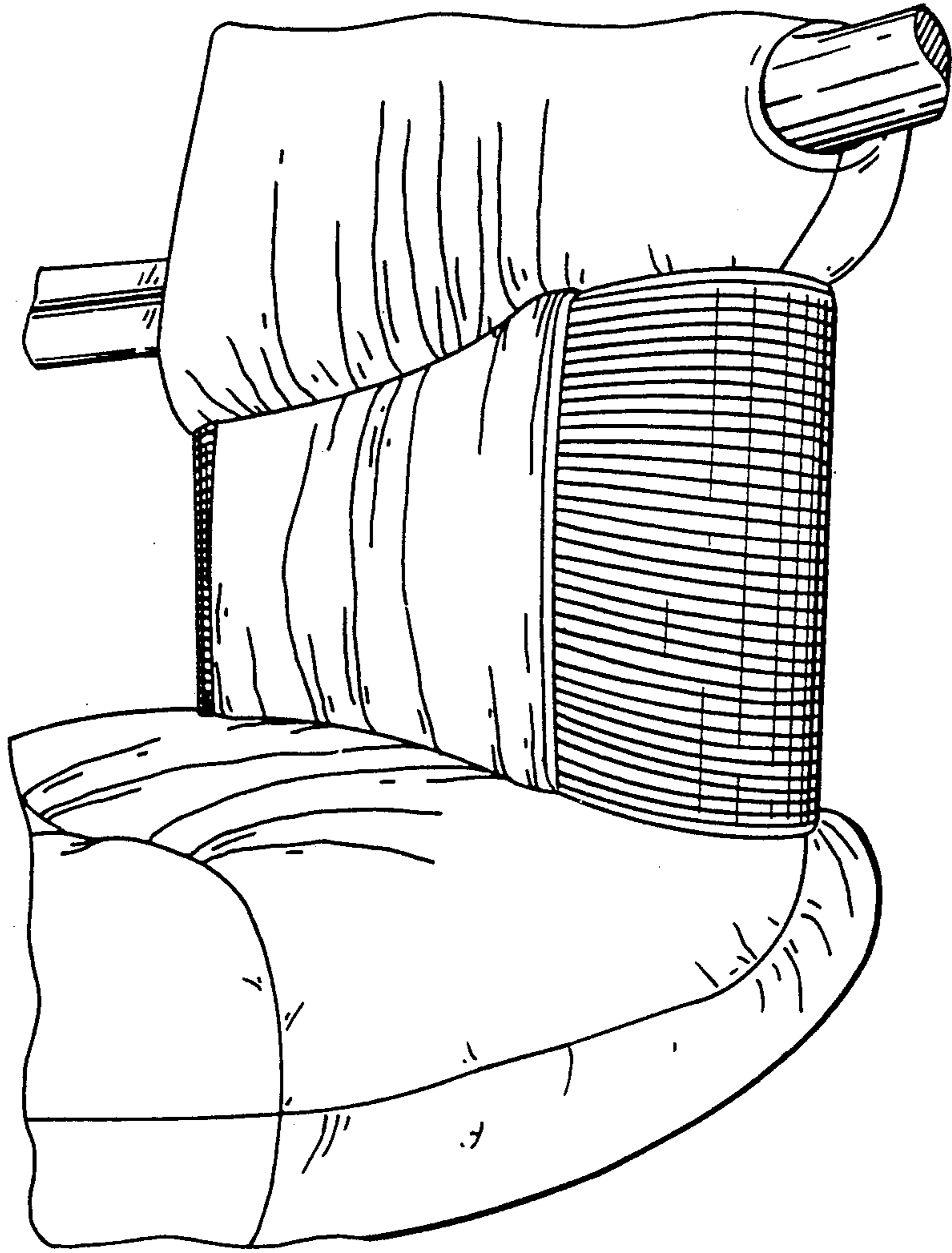


Fig. 8

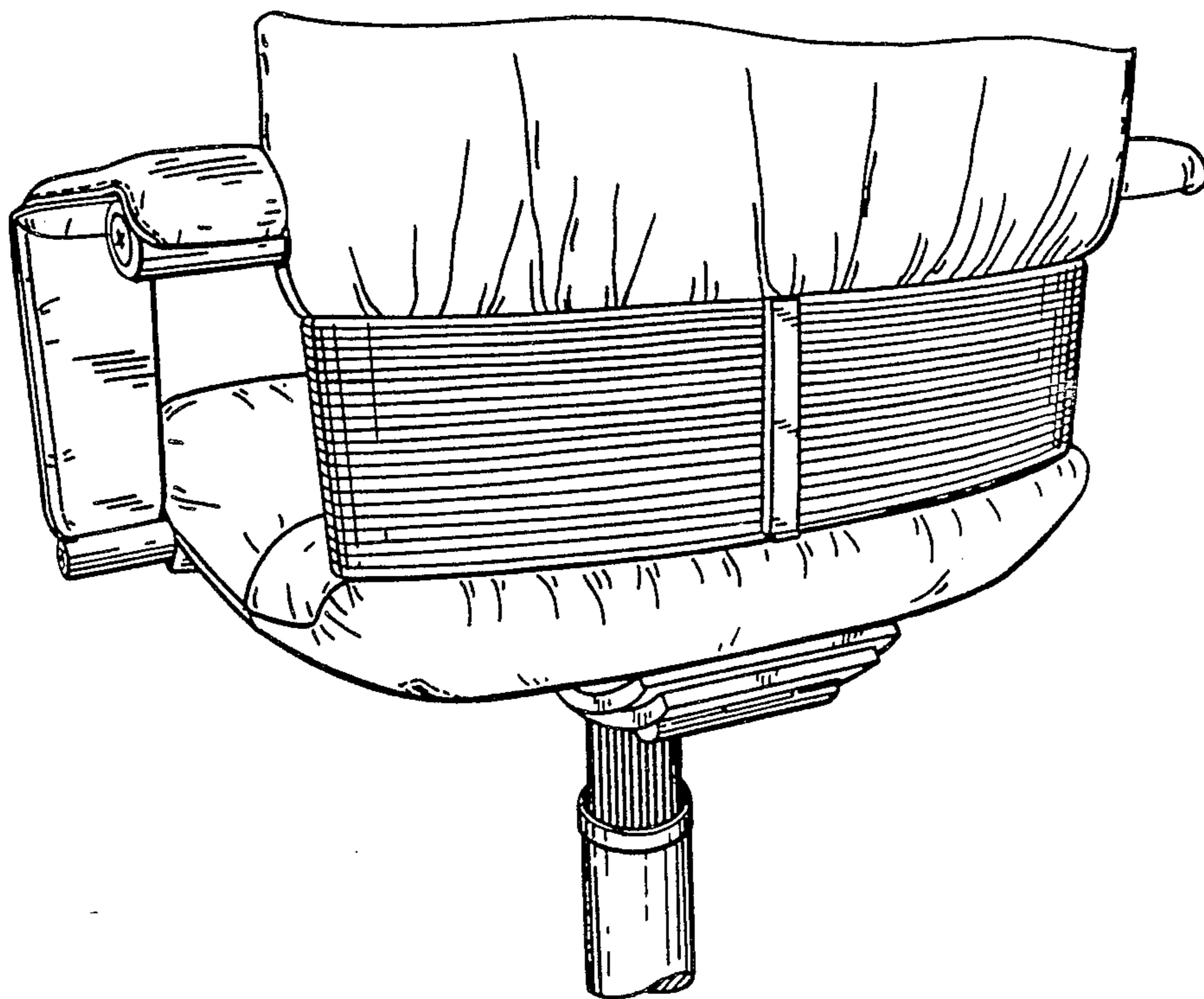


Fig. 9

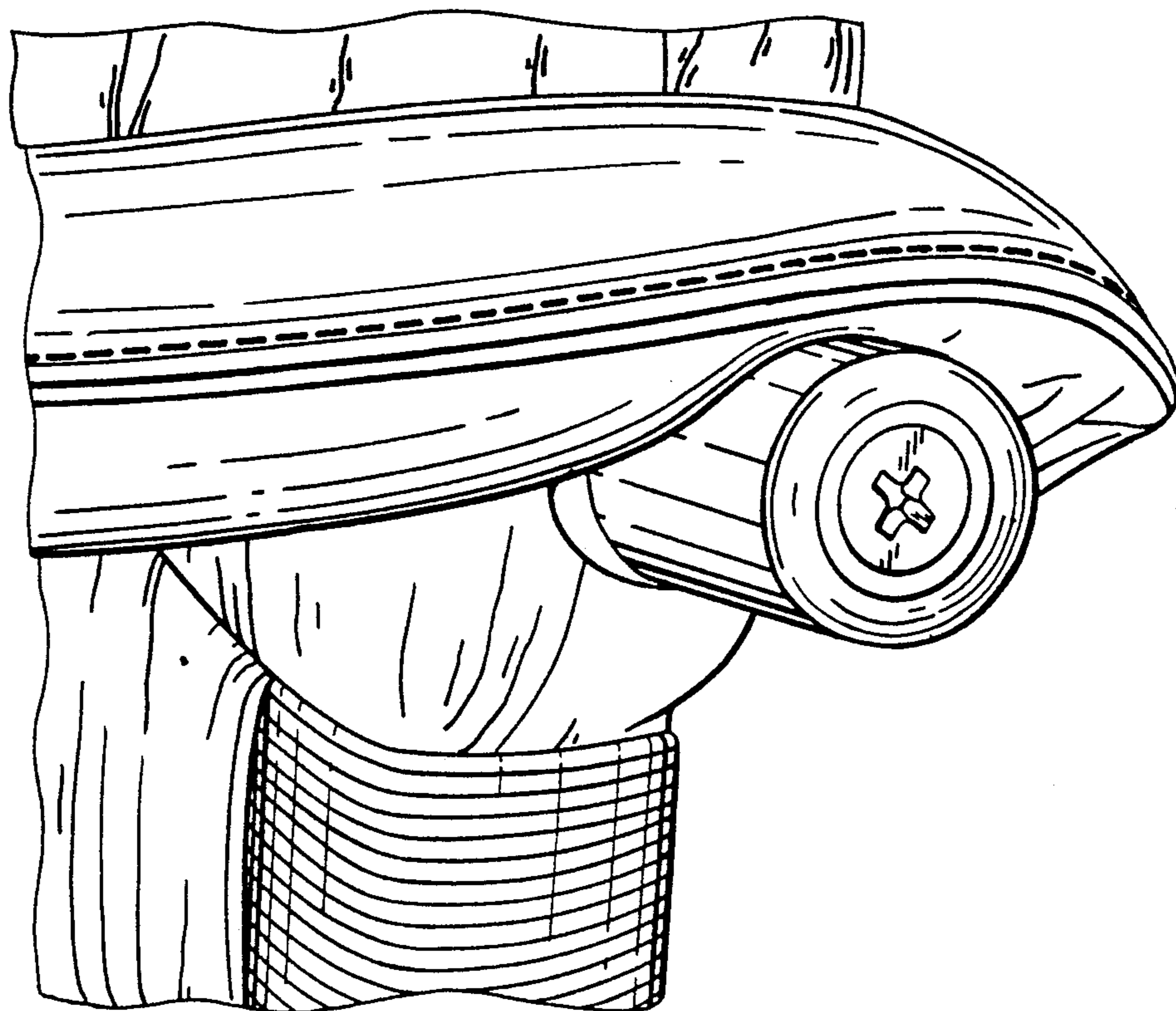


Fig. 10

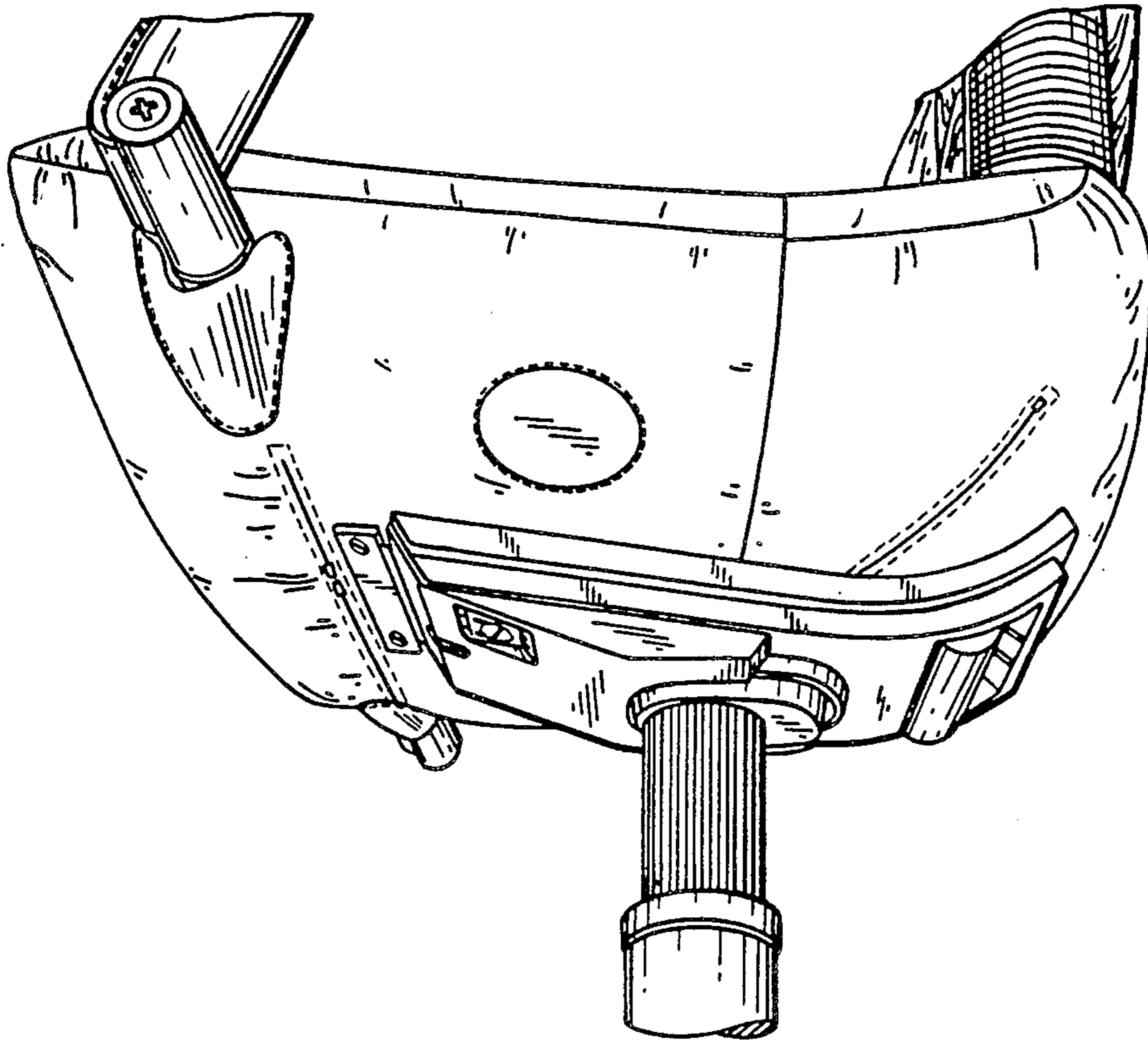


Fig. 11