

[54] **CHAIR**

[75] **Inventor: Mario Bellini, Milan, Italy**

[73] **Assignee: Fehlbaum & Co., Riehen, Switzerland**

[*] **Notice: The portion of the term of this patent subsequent to Jan. 5, 2002 has been disclaimed.**

[**] **Term: 14 Years**

[21] **Appl. No.: 690,690**

[22] **Filed: Jan. 11, 1985**

[30] **Foreign Application Priority Data**

Jul. 13, 1984 [XH] Hague 74 205

[52] **U.S. Cl. D6/366**

[58] **Field of Search D6/364, 365, 366, 375, D6/379, 380**

[56] **References Cited**

U.S. PATENT DOCUMENTS

D. 267,680 1/1983 Leffler et al. D6/366
D. 274,675 7/1984 Diffrient D6/366
D. 285,629 9/1986 Franck et al. D6/366

OTHER PUBLICATIONS

Interiors, Dec. 1978, p. 98, Chair top center.
Industrial Design, Nov./Dec. 1977, p. 44, Chair right center by Norton.

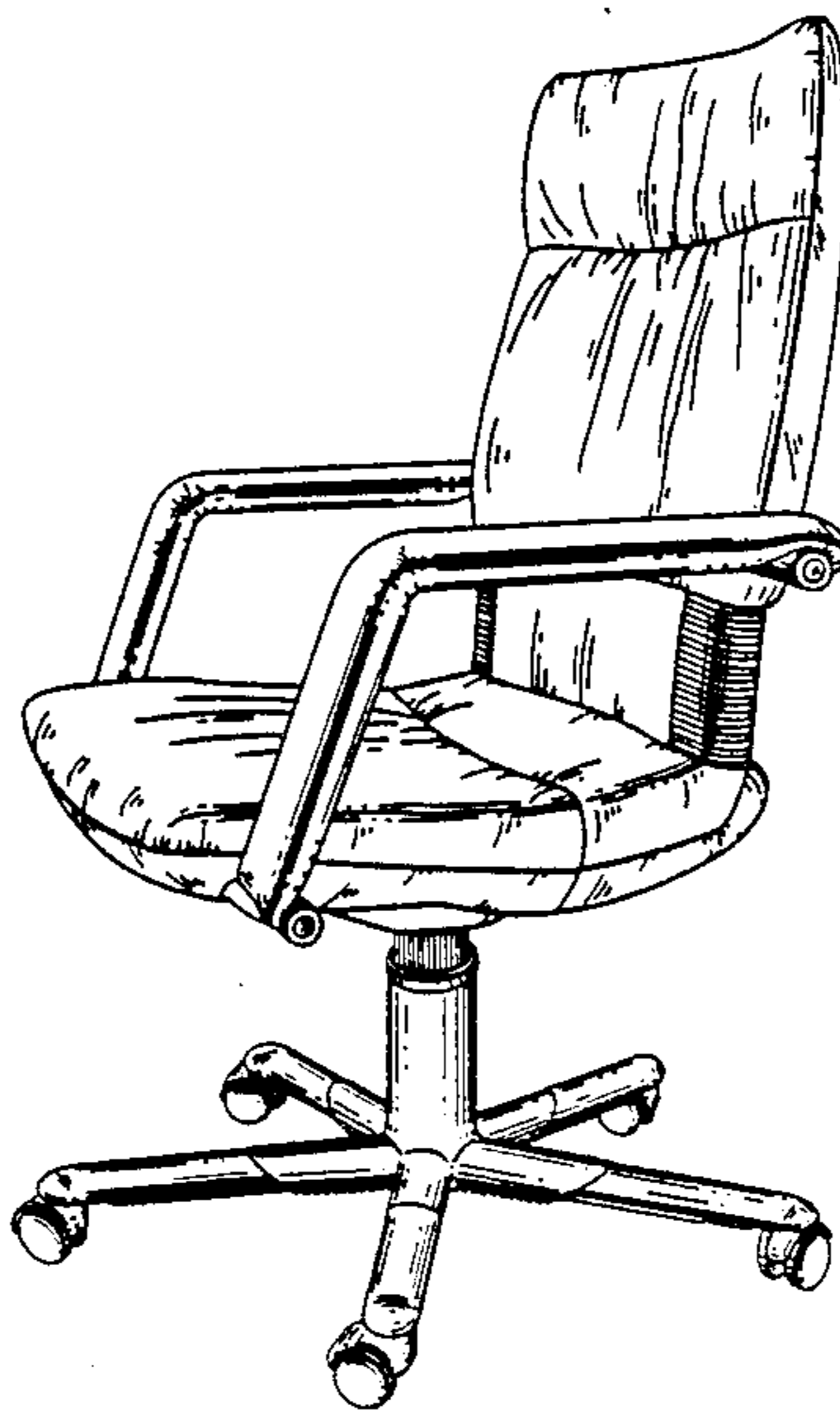
Primary Examiner—Bruce W. Dunkins
Attorney, Agent, or Firm—Ladas & Parry

[57] **CLAIM**

The ornamental design for a chair, as shown.

DESCRIPTION

FIG. 1 is a front perspective view of a chair showing my design;
FIG. 2 is a front elevational view thereof;
FIG. 3 is a side elevational view thereof;
FIG. 4 is a rear elevational view thereof;
FIG. 5 is a fragmental view of a side portion thereof on a larger scale;
FIG. 6 is a fragmental view of another side portion thereof on a larger scale;
FIG. 7 is a rear fragmental view of a lower portion thereof on a larger scale;
FIG. 8 is a fragmented view of a portion of the armrest thereof on a larger scale;
FIG. 9 is a bottom fragmented plan view thereof on a larger scale.



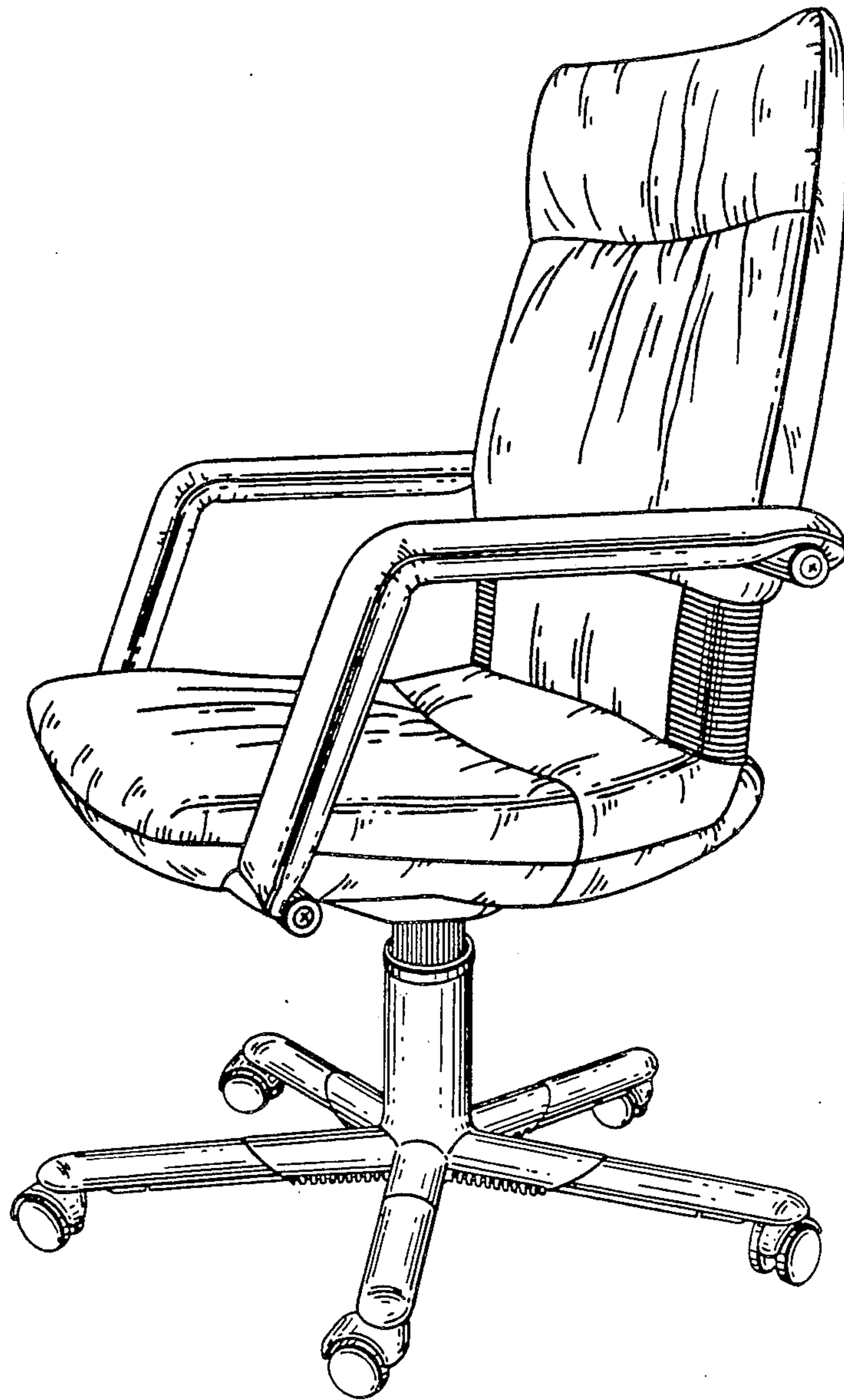


FIG. 1

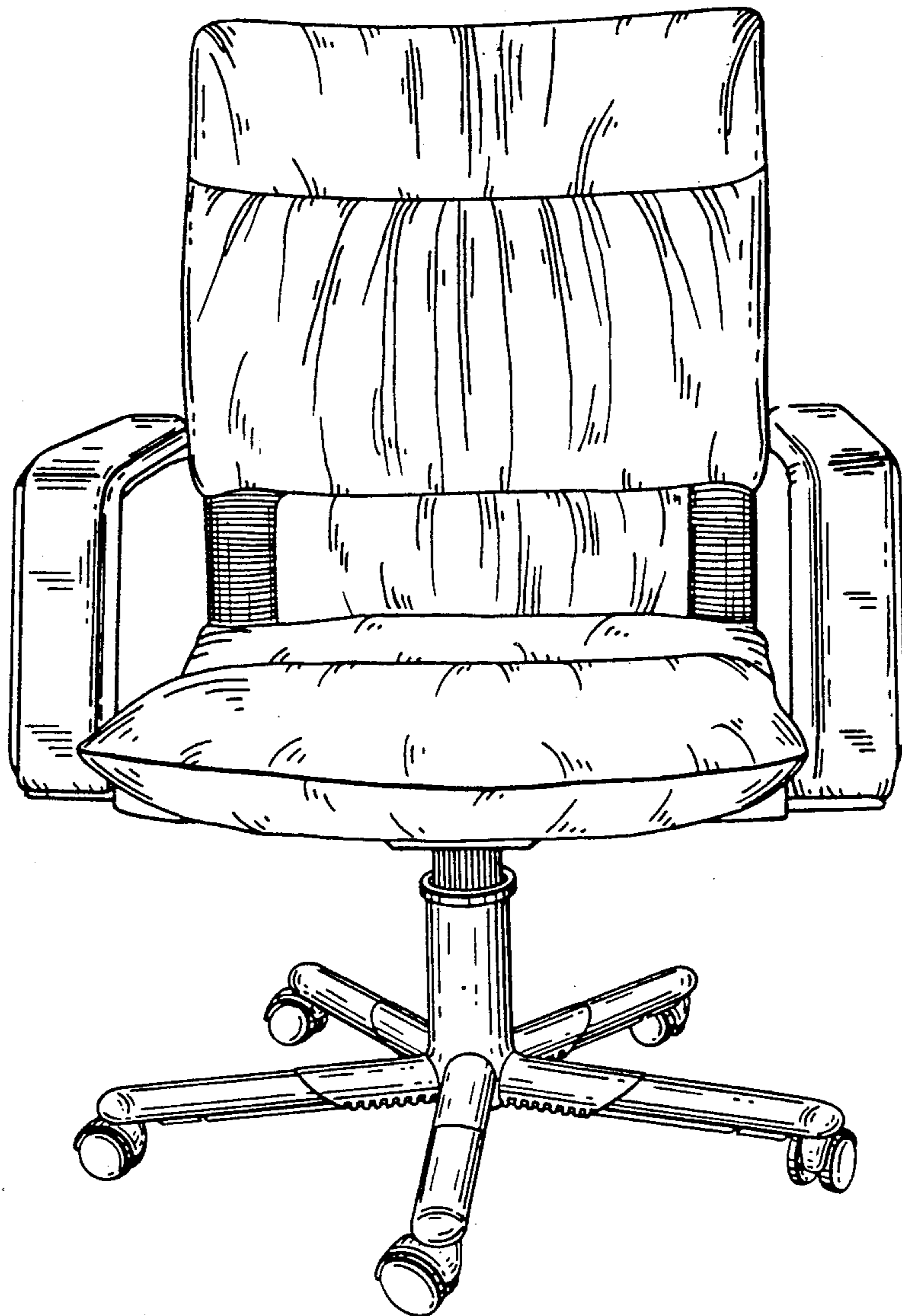


FIG. 2

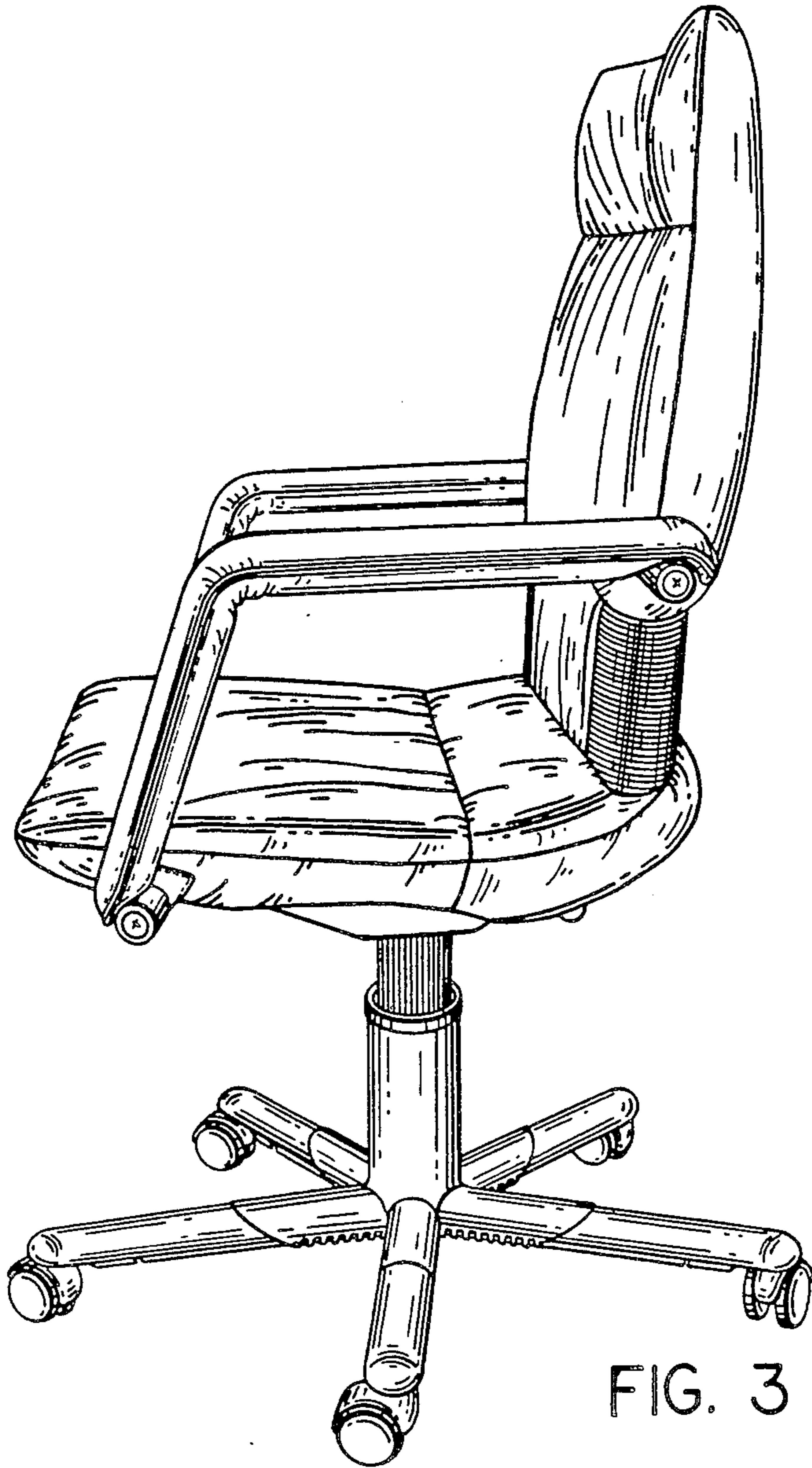


FIG. 3

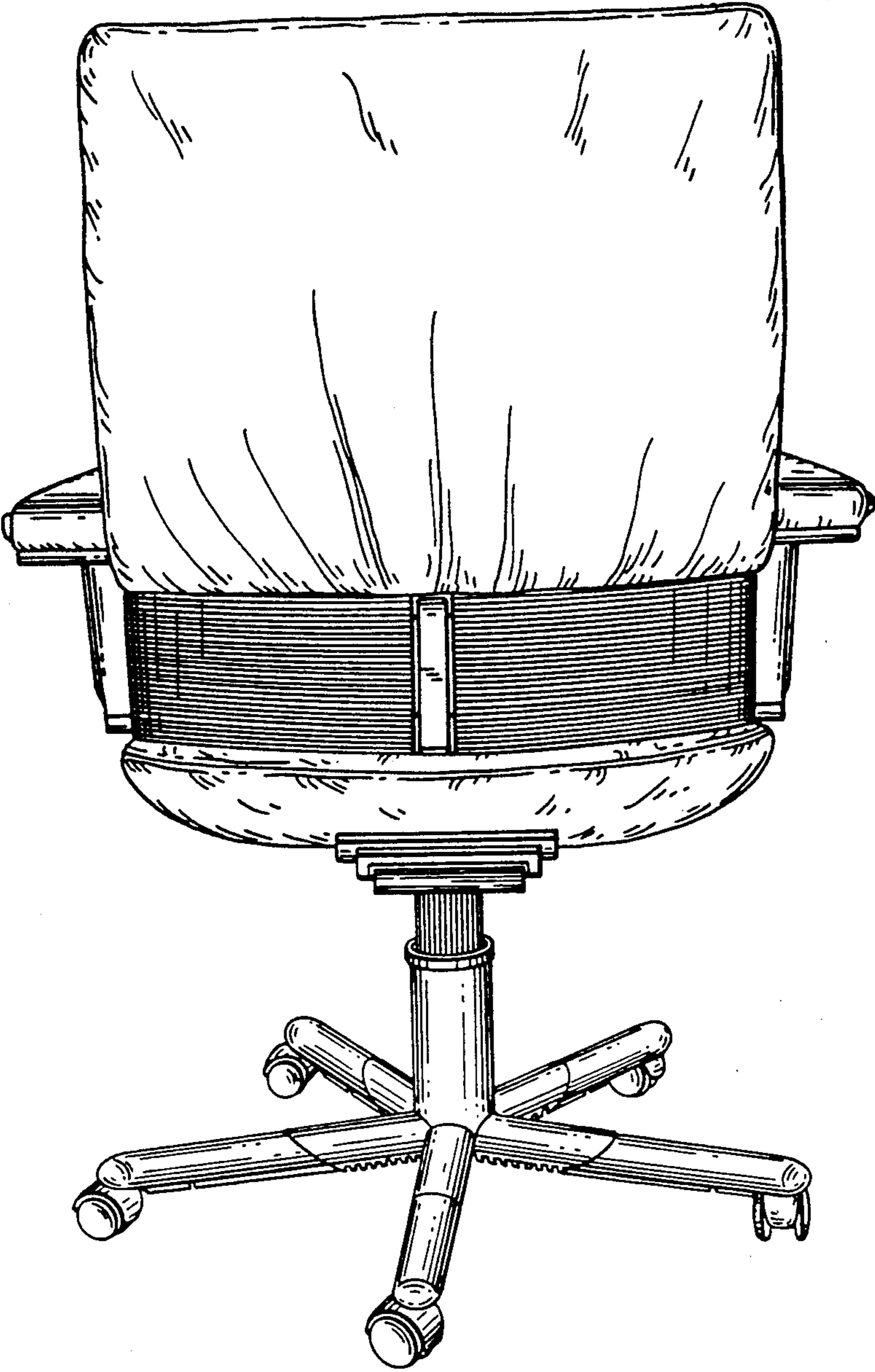


Fig. 4

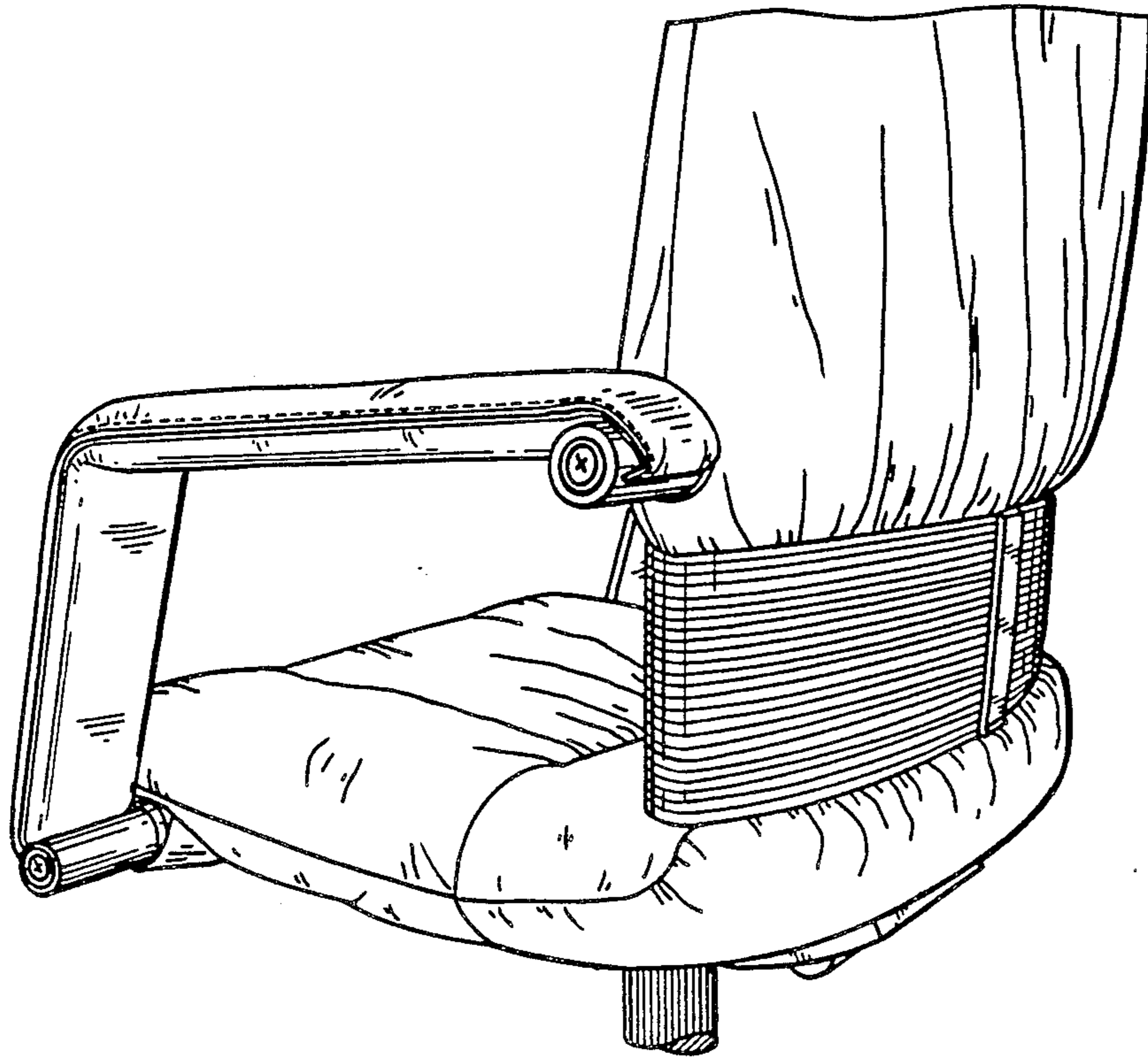


Fig. 5

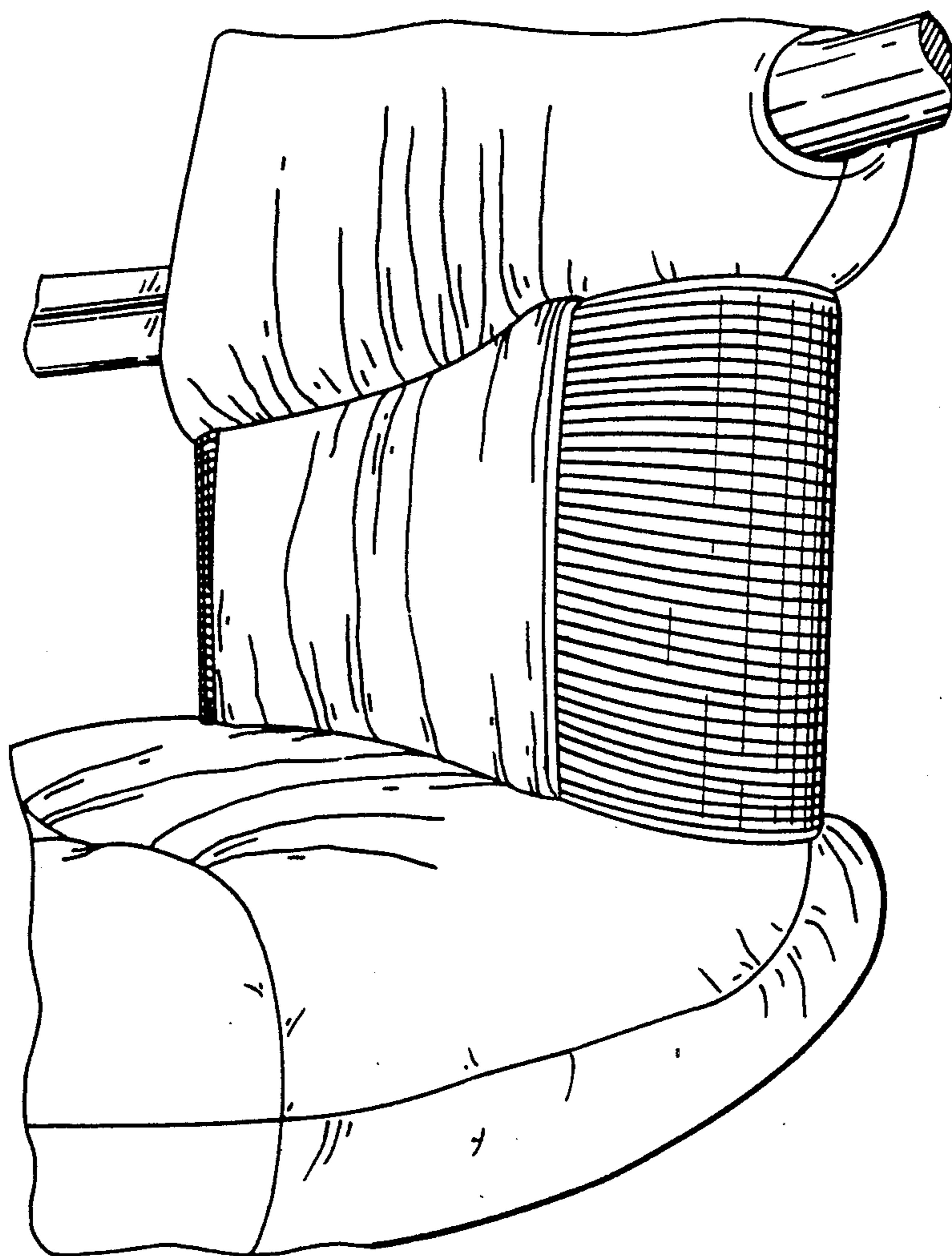


Fig. 6

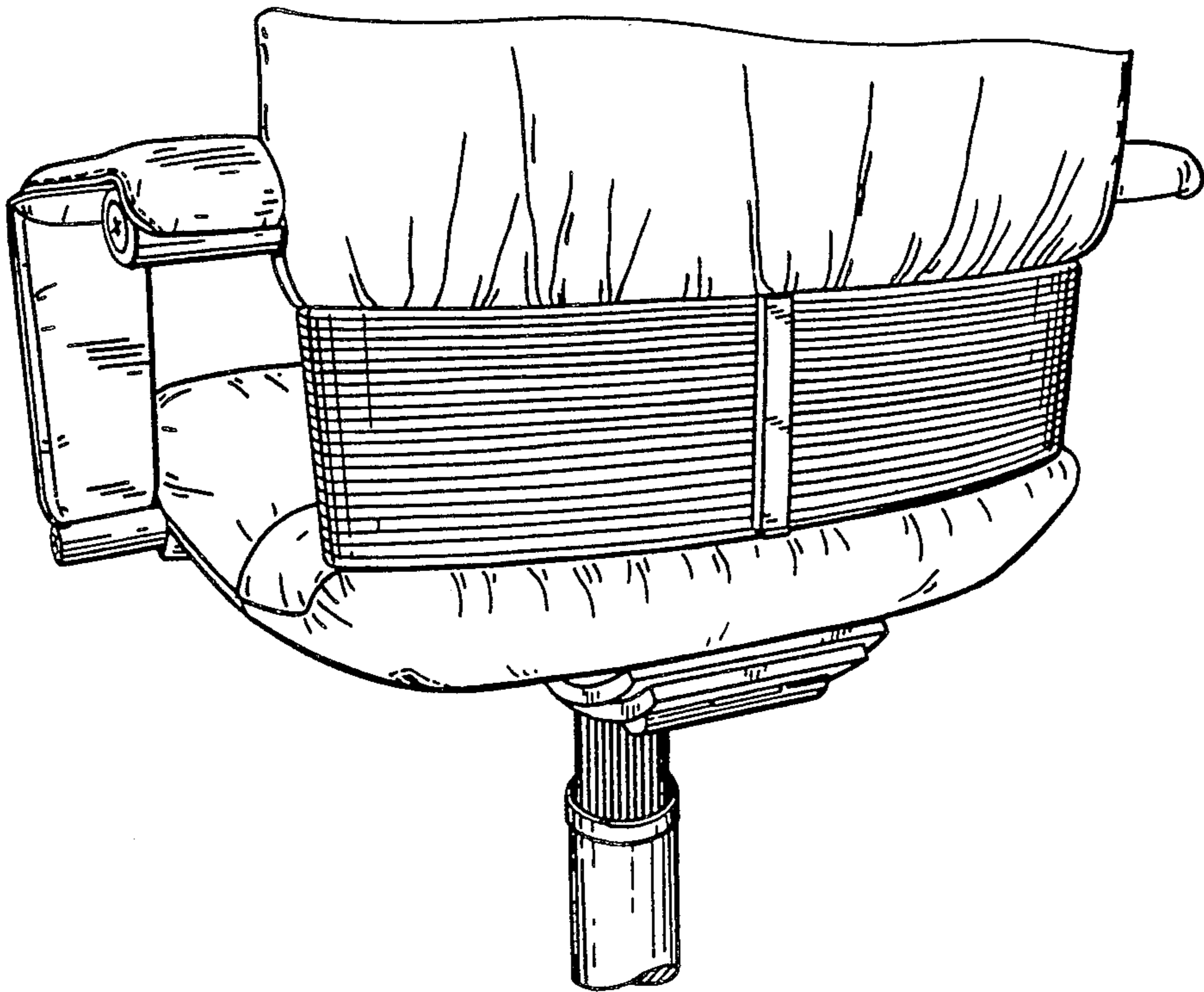


Fig. 7

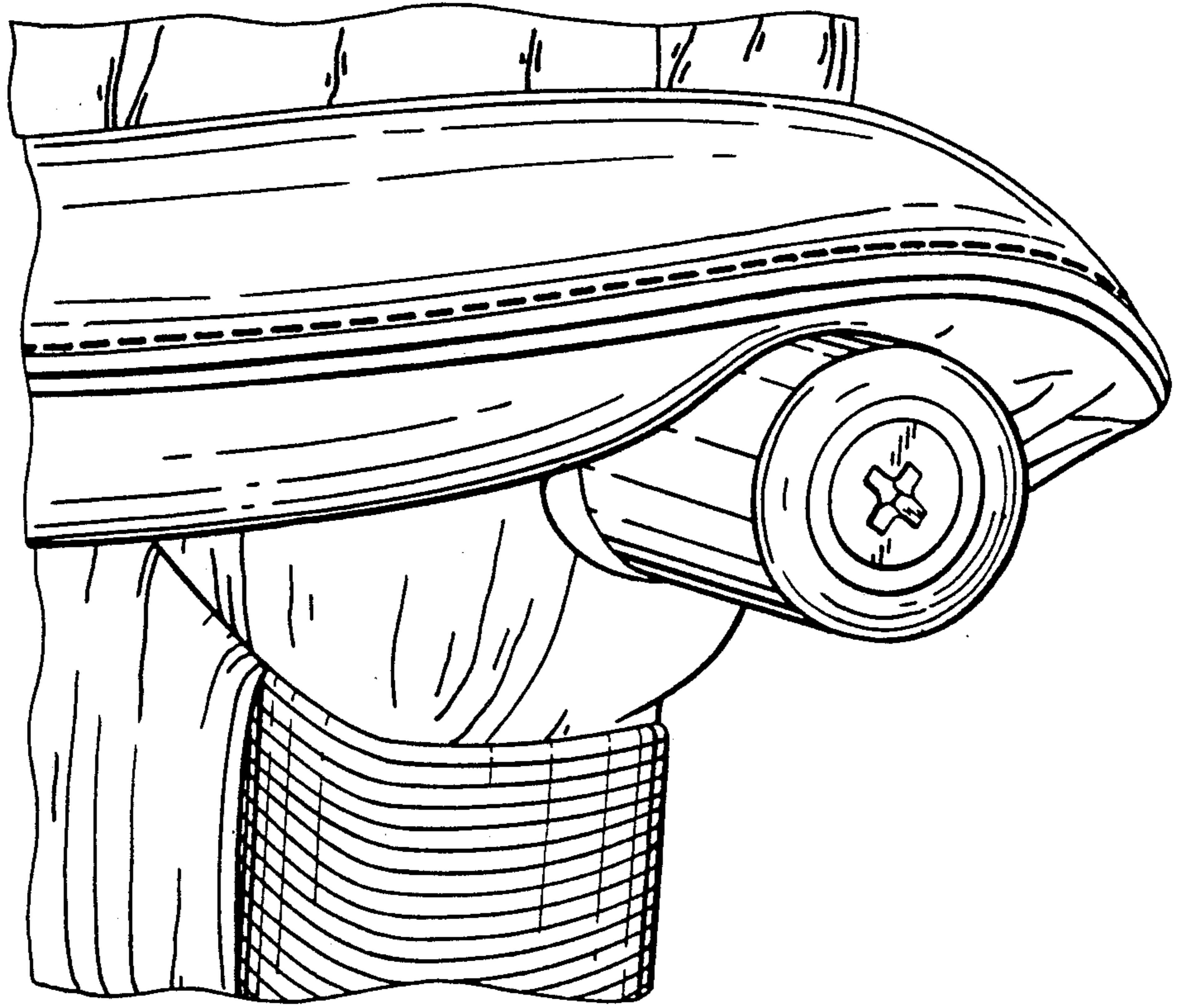


Fig. 8

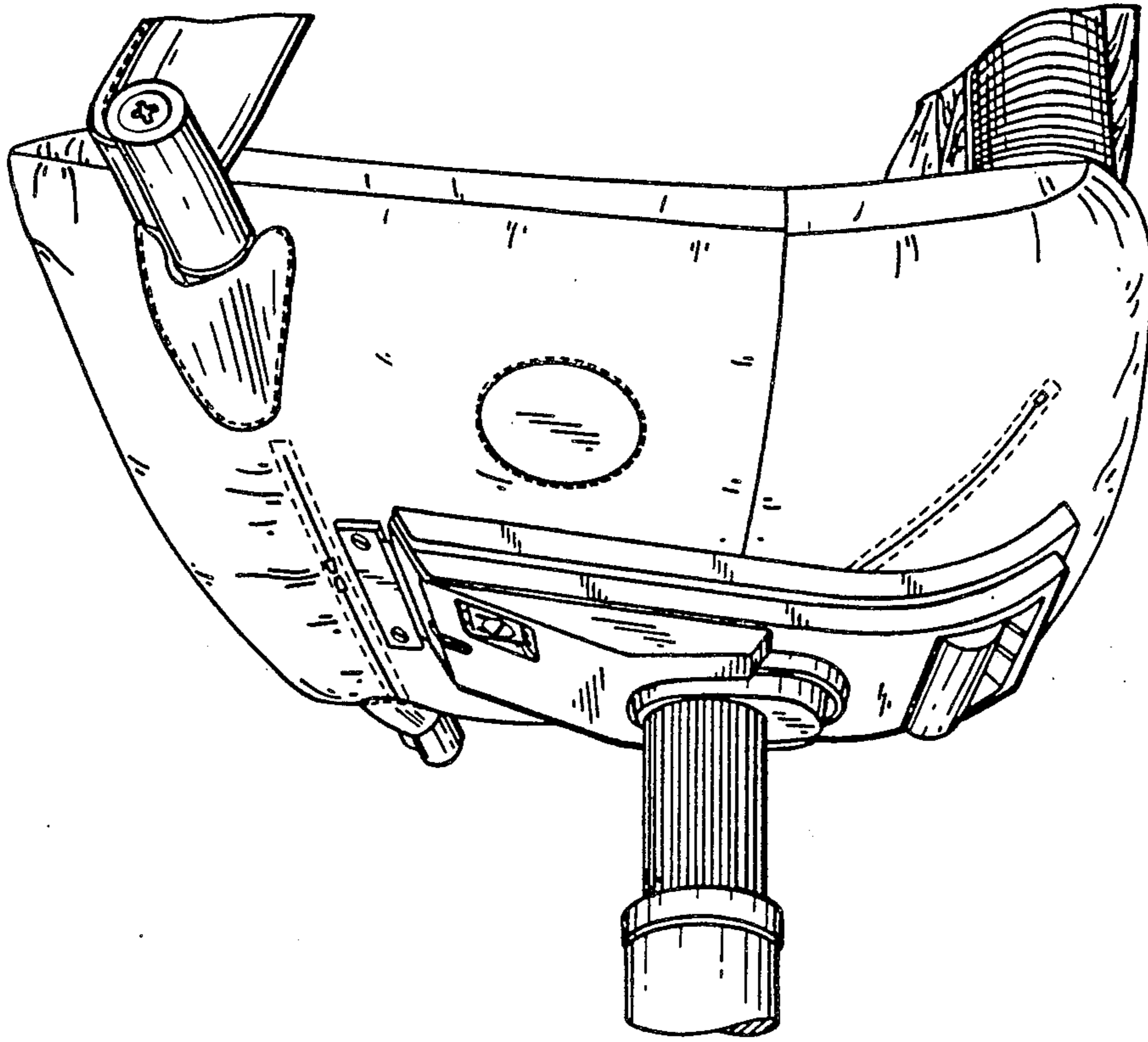


Fig. 9