

[54] CARRYING CASE

3,661,318 5/1972 Miller 206/320
4,008,790 2/1977 Eiteljorg 206/316

[76] Inventor: Trevor I. Baptiste, 383 Grand Ave.,
Brooklyn, N.Y. 11238

Primary Examiner—Charles A. Rademaker

[**] Term: 14 Years

[57] CLAIM

[21] Appl. No.: 701,031

The ornamental design for a carrying case, substantially
as shown and described.

[22] Filed: Feb. 12, 1985

[52] U.S. Cl. D3/77

[58] Field of Search D3/30.1, 33, 35, 70,
D3/74, 76, 77; 190/26, 27; 150/52 E, 52 F;
206/442, 487, 316, 320, 334

DESCRIPTION

[56] References Cited

U.S. PATENT DOCUMENTS

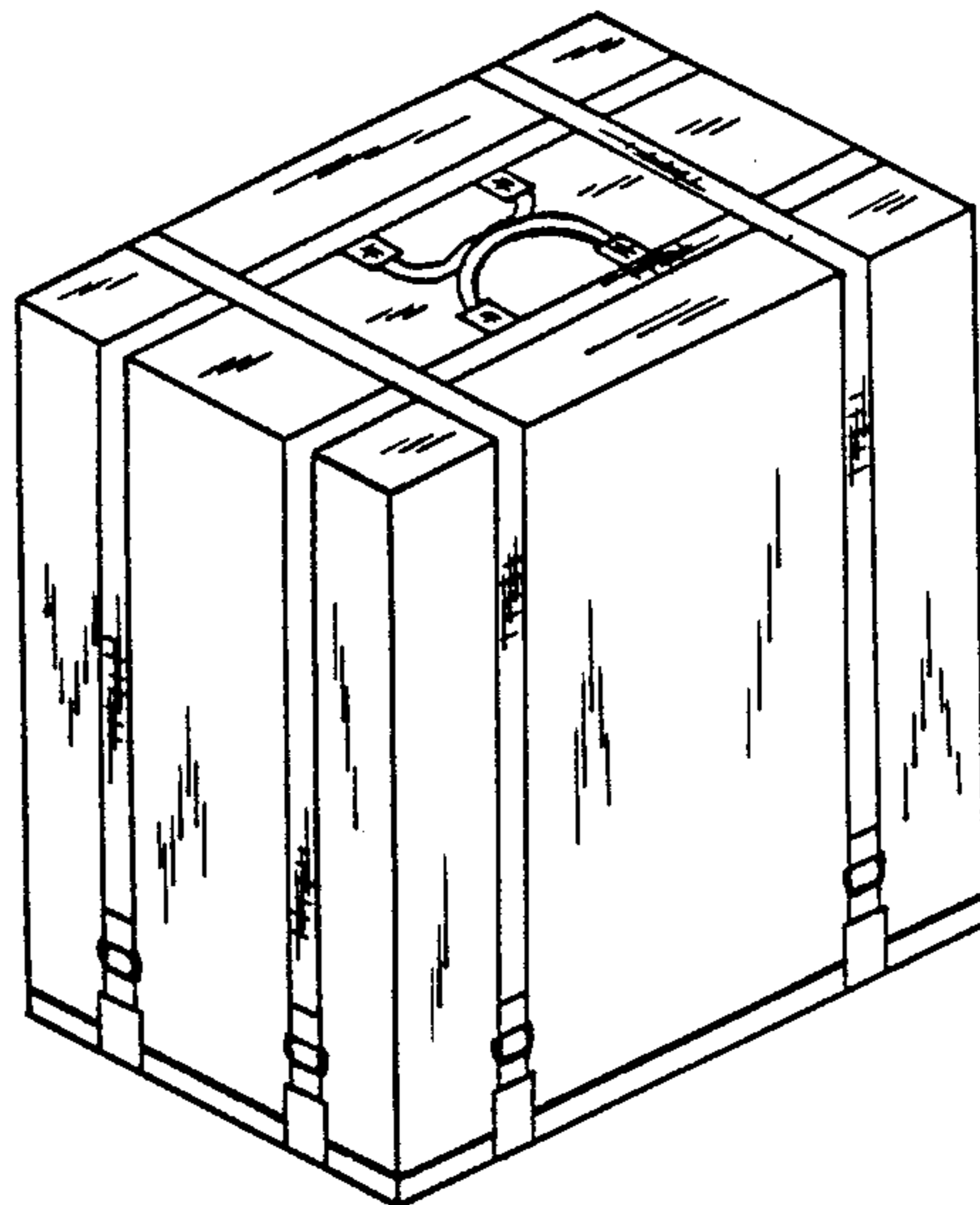
D. 284,333 6/1986 Huston D3/77
941,969 11/1909 Williams D3/70

FIG. 1 is a perspective view of a carrying case showing
my new design, the side opposite being substantially a
mirror image;

FIG. 2 is a perspective view of the bottom portion
thereof; and,

FIG. 3 is a perspective view of that shown in FIG. 1,
with the bottom portion removed.

The unknown bottom of the claimed design is substan-
tially flat, plain and unornamented.



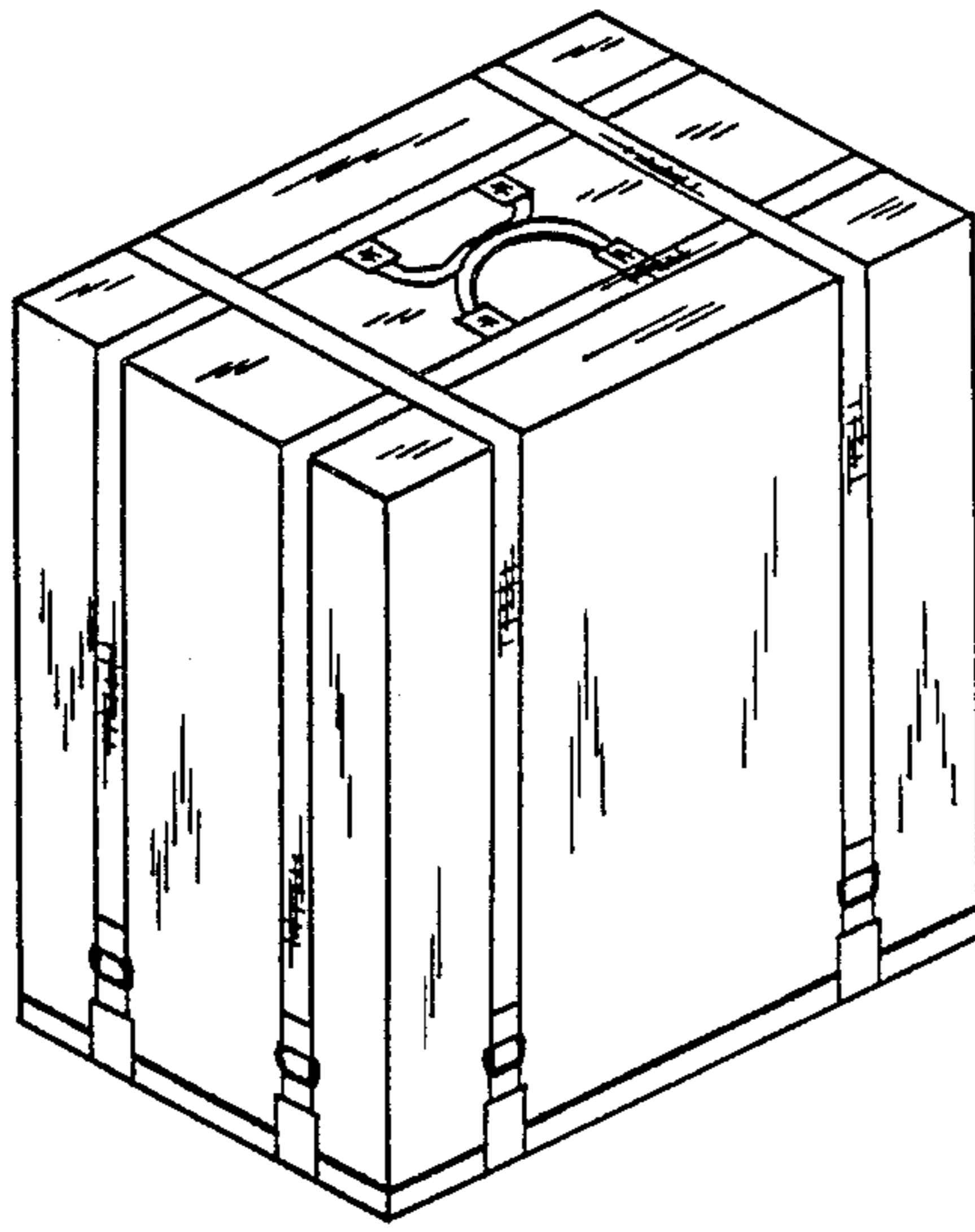


Fig. 1

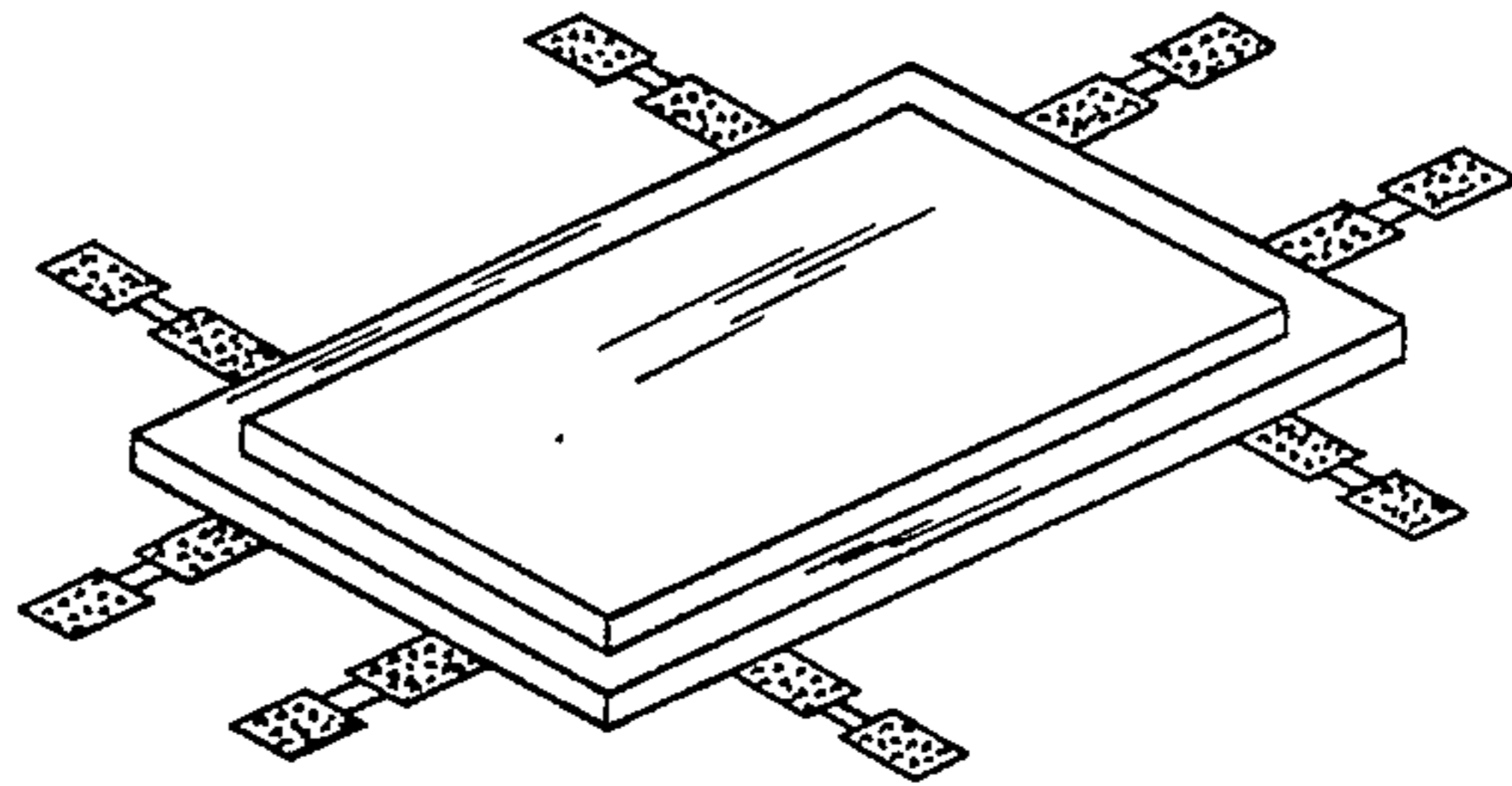


Fig. 2

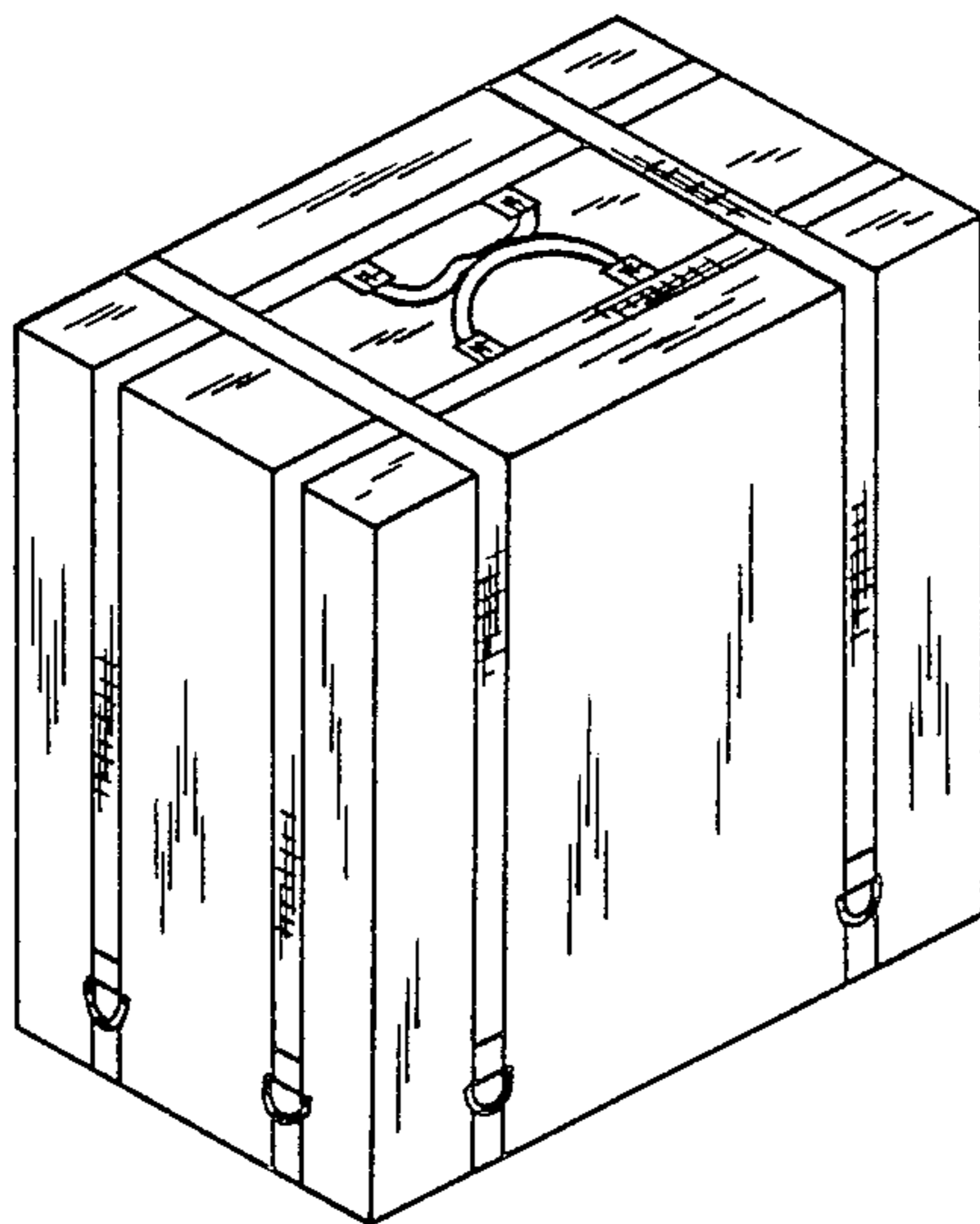


Fig. 3