

[54] ILLUMINATED ASH TRAY WITH THERMOMETER, CLOCK AND COMPASS FOR AN AUTOMOBILE DASH

[76] Inventor: Marc R. Iacovelli, Miami, Fla.

[**] Term: 14 Years

[21] Appl. No.: 864,120

[22] Filed: May 16, 1986

[52] U.S. Cl. D27/14; D27/15; D3/40; D10/2; D10/4; D10/57; D10/68

[58] Field of Search D10/1-5, D10/57, 68; D3/30.1, 40; D19/78, 86, 92; D27/8-29; D12/192; 131/231, 235.1, 238, 240.1, 241, 242

[56] References Cited

U.S. PATENT DOCUMENTS

- D. 100,362 7/1936 Brown D12/192 X
D. 102,468 12/1936 McCoy D19/78 X
D. 103,631 3/1937 Elwert D12/192
D. 168,117 11/1952 Pace 131/238 X
D. 168,480 12/1952 Shaeffer D27/14 X
D. 195,783 7/1963 Woods D12/192 X
D. 198,538 6/1964 Stricklin D3/40
D. 239,574 4/1976 Shanklin D3/40
D. 251,921 5/1979 Farrell D27/29
D. 256,562 8/1980 Cooper D10/53
D. 258,941 4/1981 Henkels D10/57 X

- D. 279,523 7/1985 Seltzer et al. D3/40
D. 279,719 7/1985 Tanaka D27/14
D. 279,720 7/1985 Tanaka D27/14
D. 285,998 10/1986 Langensiepen D3/40
D. 287,943 1/1987 Tanaka D10/68 X
2,023,719 12/1935 Arrison .

FOREIGN PATENT DOCUMENTS

- 488661 12/1952 Canada 131/242

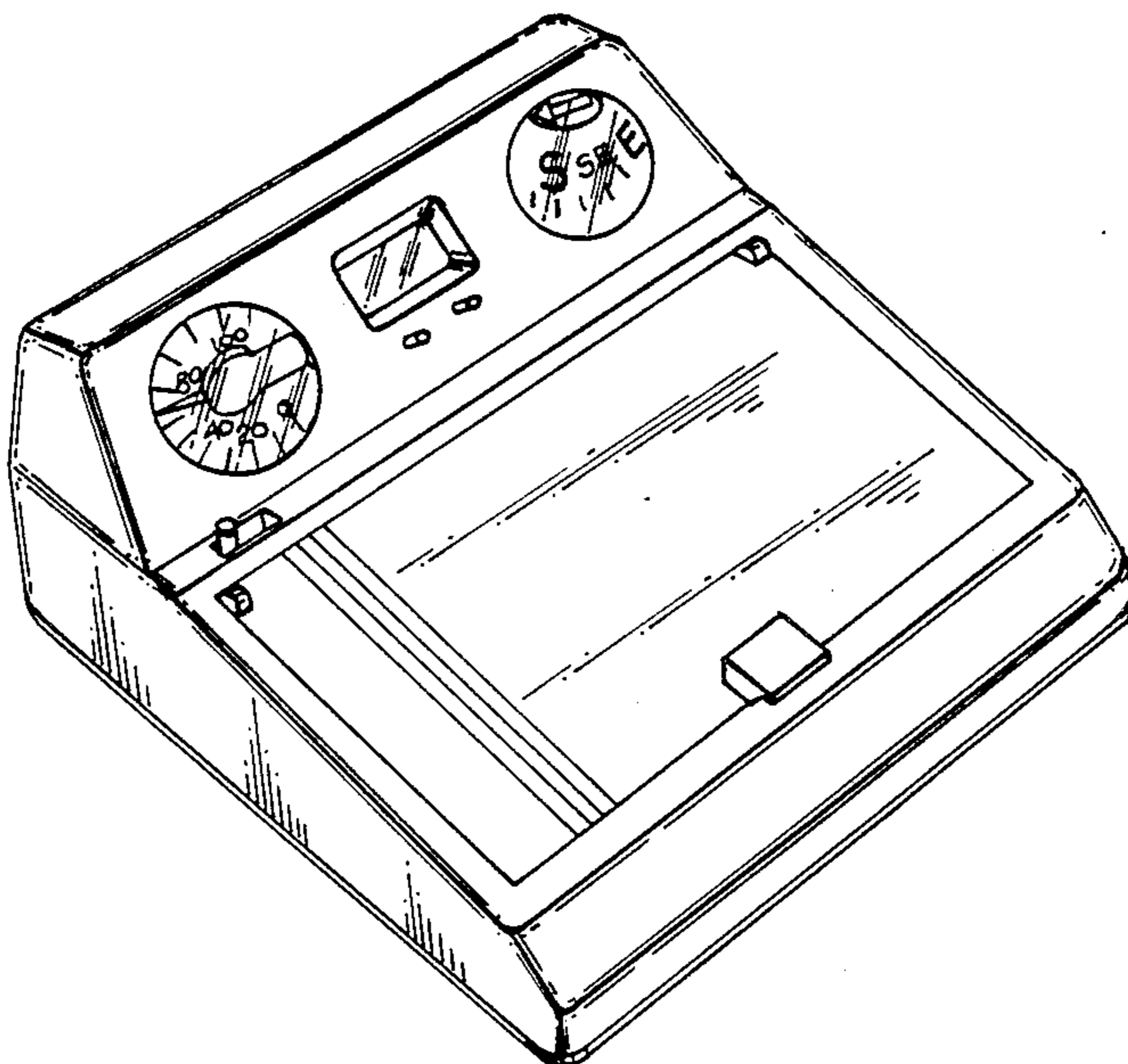
Primary Examiner—Catherine E. Kemper
Attorney, Agent, or Firm—Gilbert L. Wells

[57] CLAIM

The ornamental design for an illuminated ash tray with thermometer, clock and compass for an automobile dash, as shown and described.

DESCRIPTION

FIG. 1 is a right front perspective view of an illuminated ash tray with thermometer, clock and compass for an automobile dash, showing my new design with the ash tray lid closed;
FIG. 2 is a right front perspective view of FIG. 1 with the ash tray lid open;
FIG. 3 is a top view of FIG. 1;
FIG. 4 is a right side view of FIG. 1;
FIG. 5 is a rear view of FIG. 1;
FIG. 6 is a front view of FIG. 1; and
FIG. 7 is a bottom view of FIG. 1.



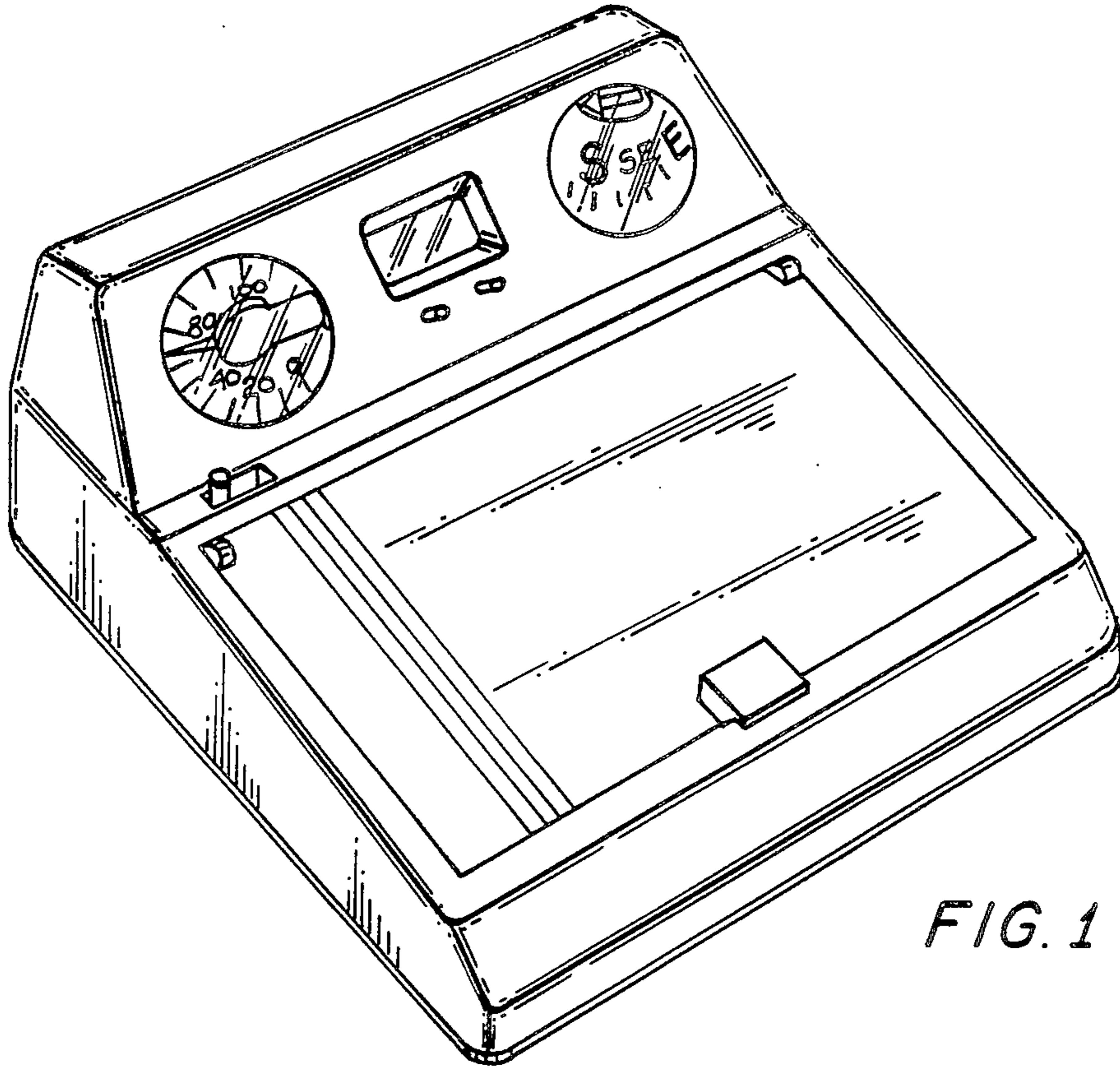


FIG. 1

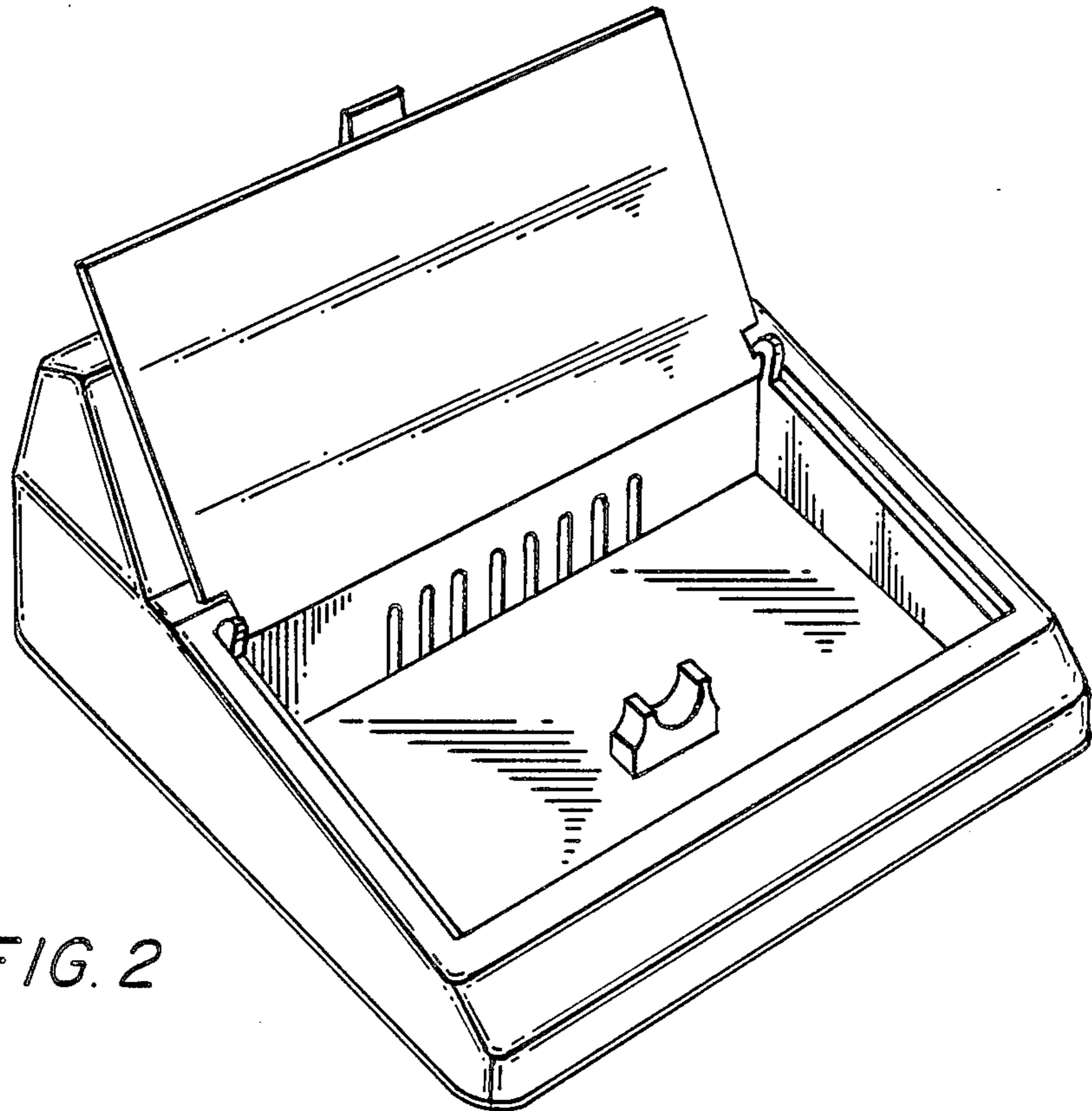


FIG. 2

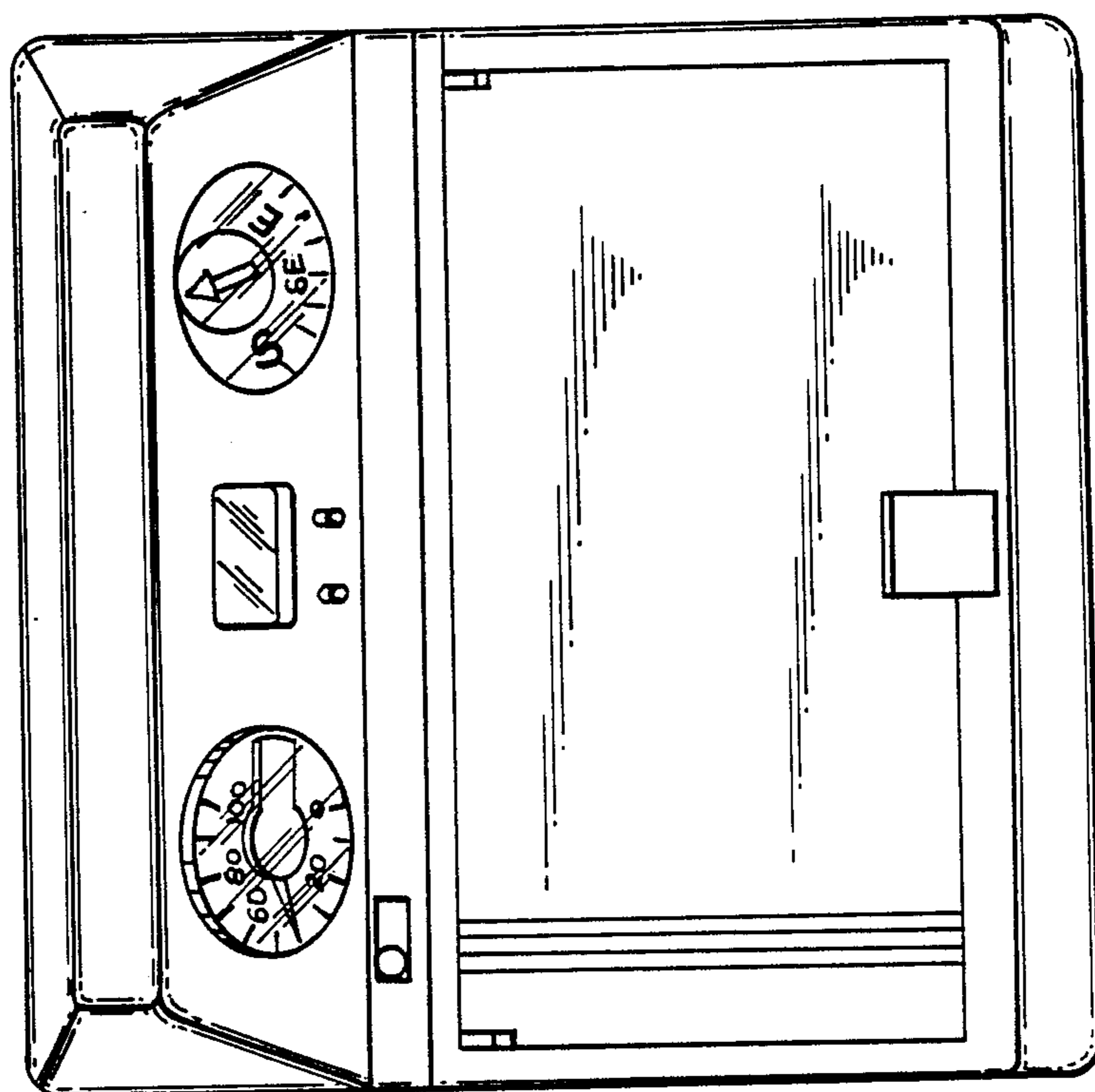


FIG. 3

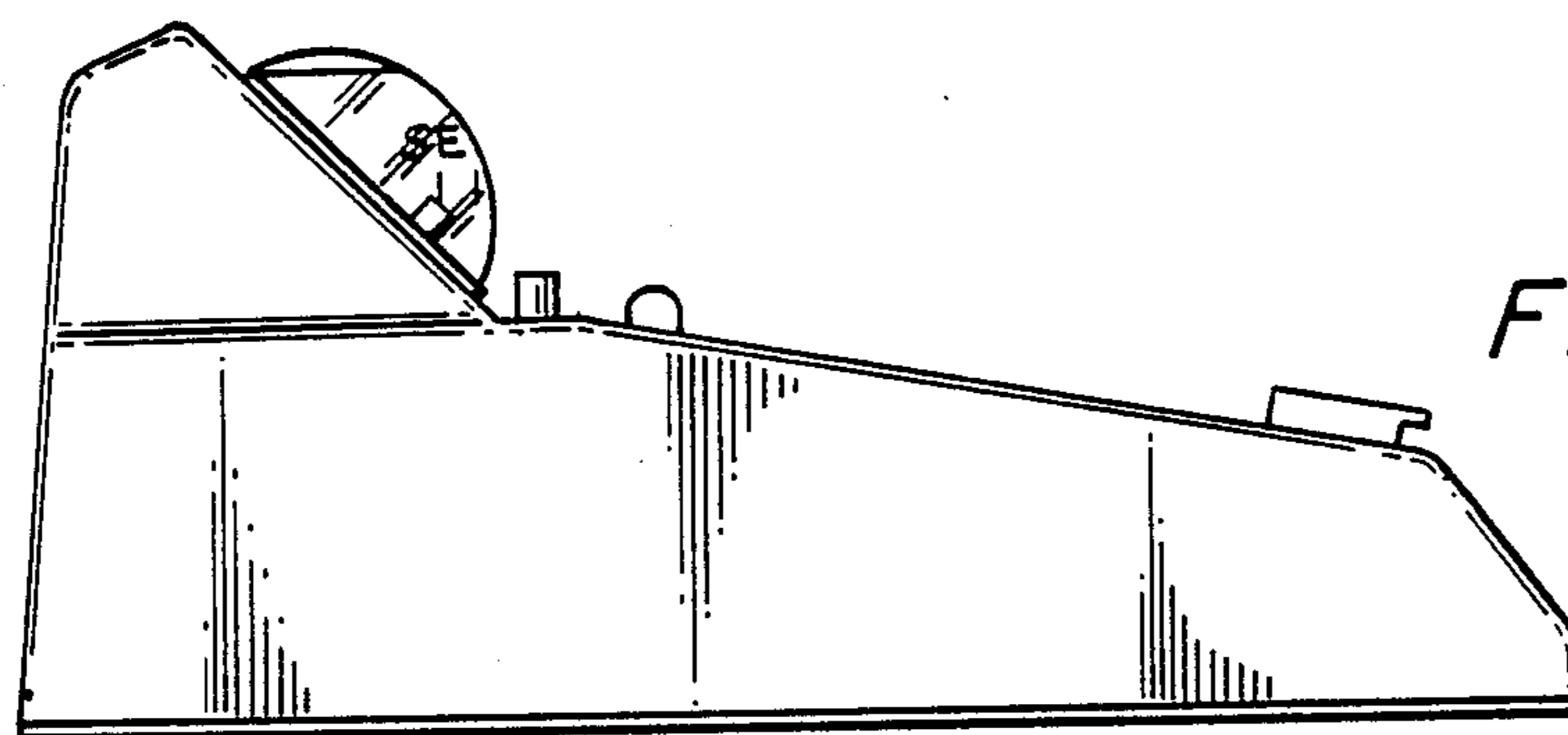


FIG. 4

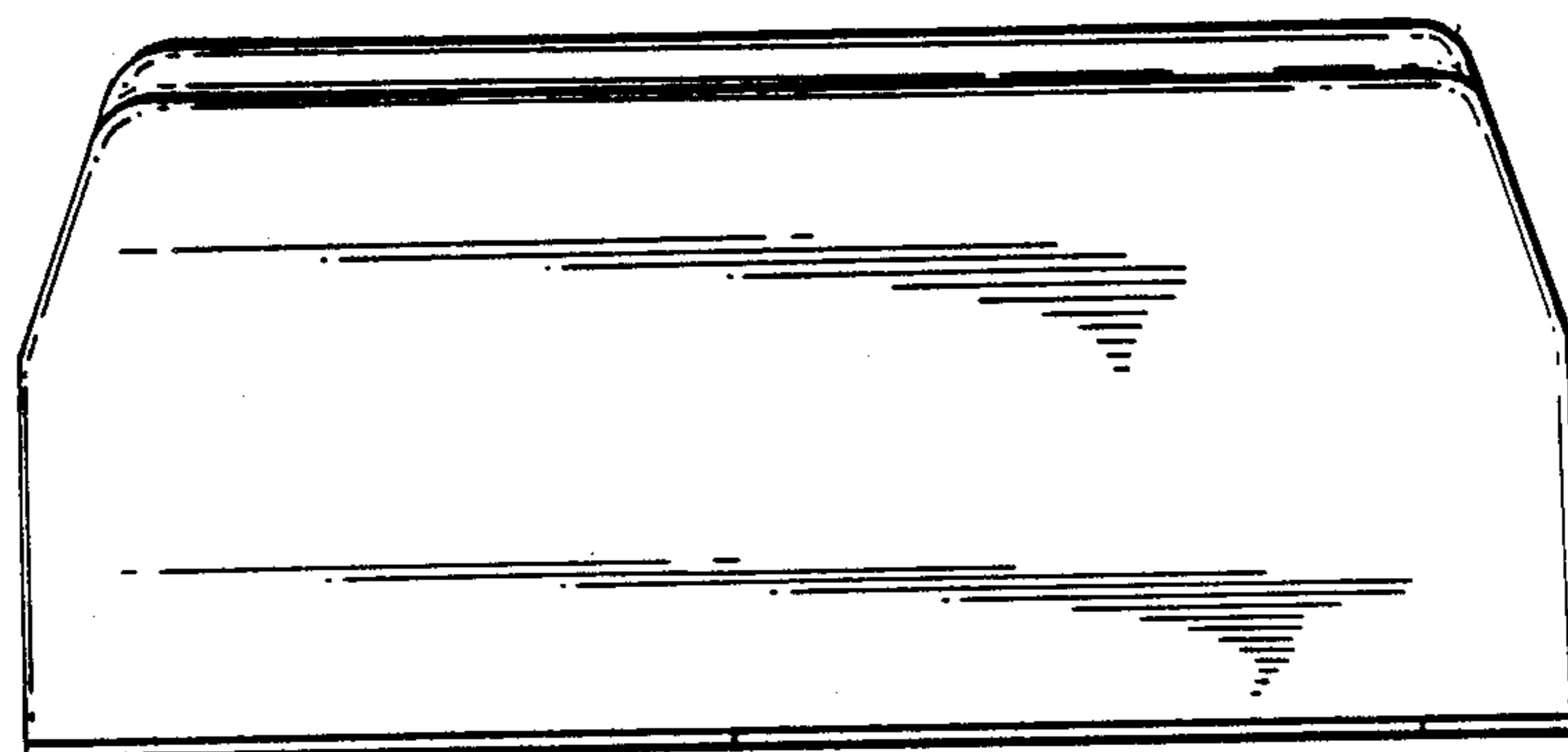


FIG. 5

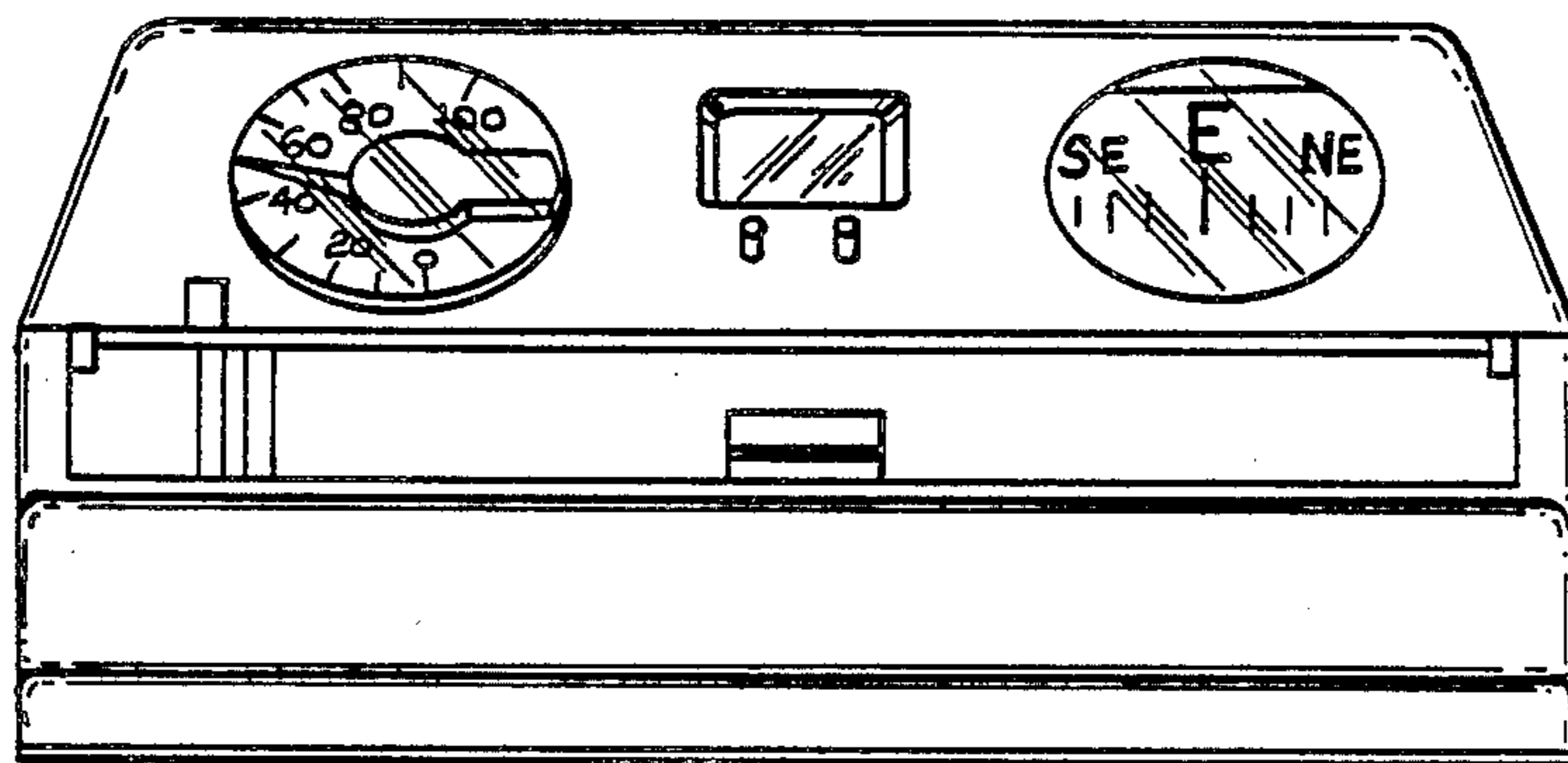


FIG. 6

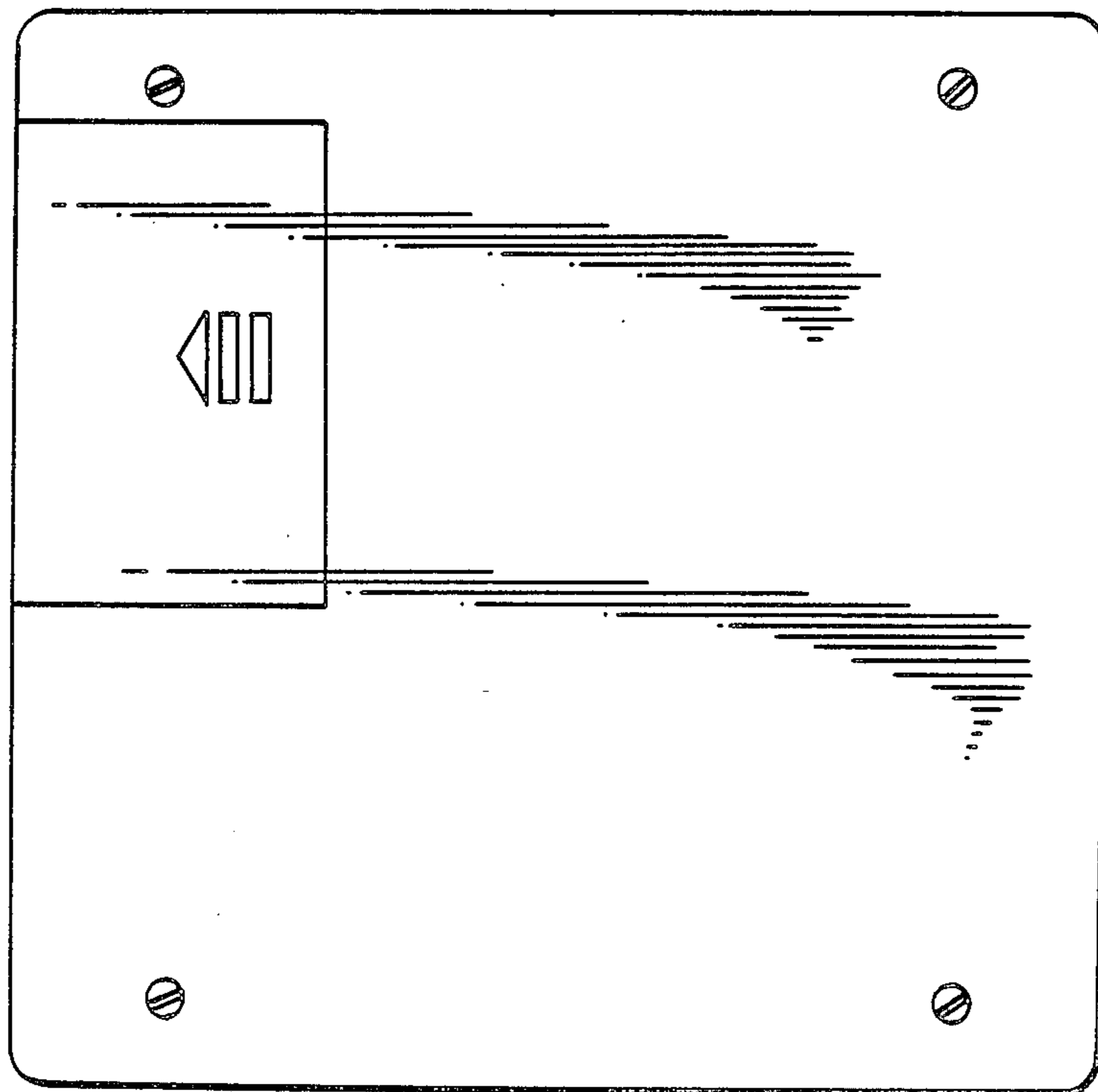


FIG. 7