

[54] **COVER FOR AN AUTOMOTIVE AIR FILTER HOUSING**

[75] **Inventor: Tommy Sundqvist, Gothenburg, Sweden**

[73] **Assignee: Aktiebolaget Volvo, Gothenburg, Sweden**

[\*\*] **Term: 14 Years**

[21] **Appl. No.: 933,543**

[22] **Filed: Nov. 21, 1986**

[30] **Foreign Application Priority Data**

May 21, 1986 [SE] Sweden ..... 86-1259

[52] **U.S. Cl. .... D23/356; D15/5; D15/6**

[58] **Field of Search .... D15/1, 5; D13/2; 55/252, 490, 492, 508, 510, DIG. 31; D23/149**

[56]

**References Cited**

**U.S. PATENT DOCUMENTS**

D. 208,818	10/1967	Hodgson .....	D23/149
D. 225,738	1/1973	Schwartz .....	D23/149
D. 247,177	2/1978	Stevens .....	D15/1
D. 283,913	5/1986	Tomlinson .....	D13/2 X
3,849,094	11/1974	Holland .....	D15/5 X
4,093,897	6/1978	Fujita et al. ....	D13/2 X

*Primary Examiner*—Wallace R. Burke  
*Assistant Examiner*—Brian N. Vinson  
*Attorney, Agent, or Firm*—Young & Thompson

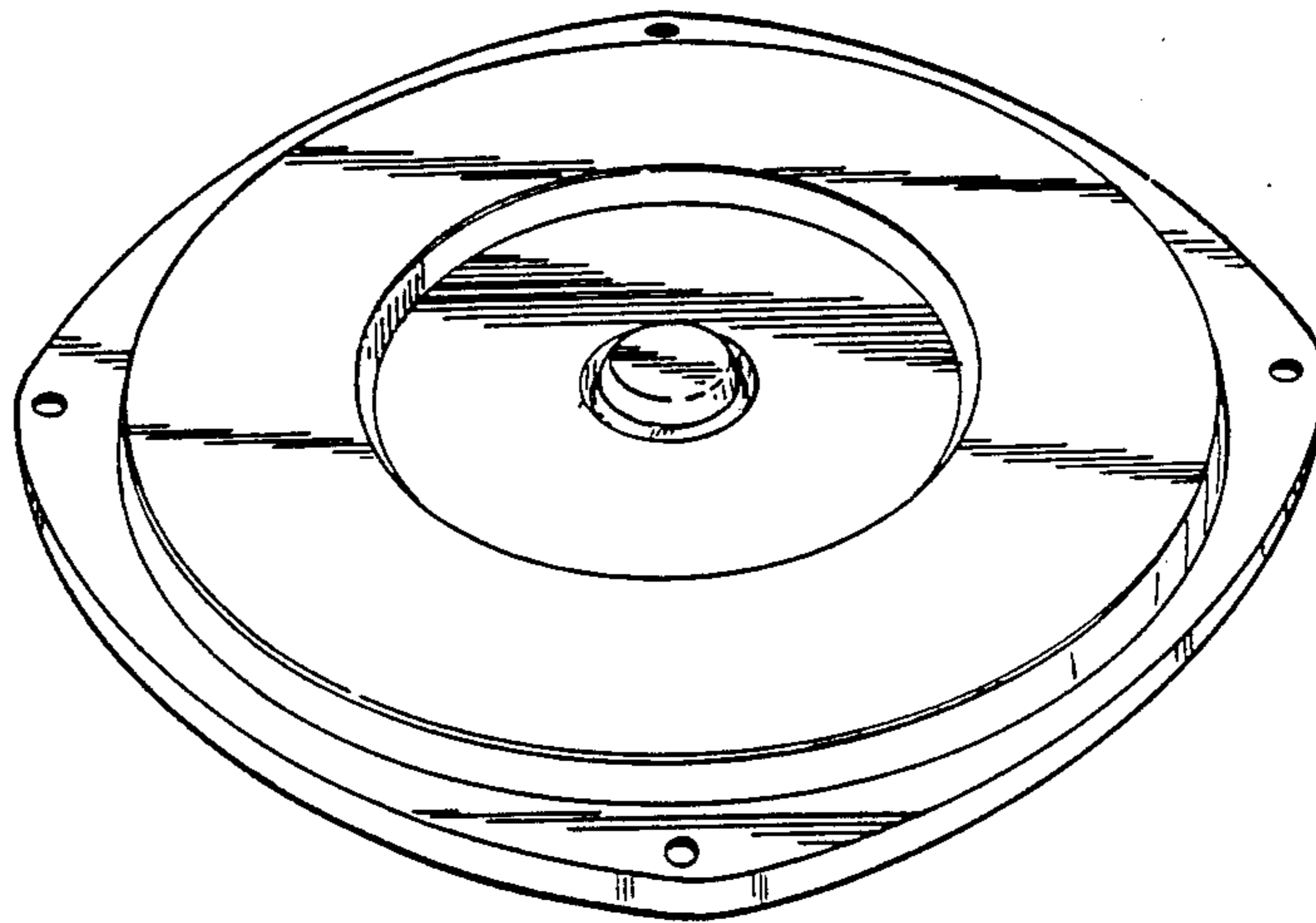
[57]

**CLAIM**

The ornamental design for a cover for an automotive air filter housing, as shown and described.

**DESCRIPTION**

FIG. 1 is a top and side perspective view of a cover for an automotive air filter housing showing my new design; FIG. 2 is a bottom plan view thereof; and FIG. 3 is a side elevational view thereof, the sides opposite and adjacent being identical in appearance.



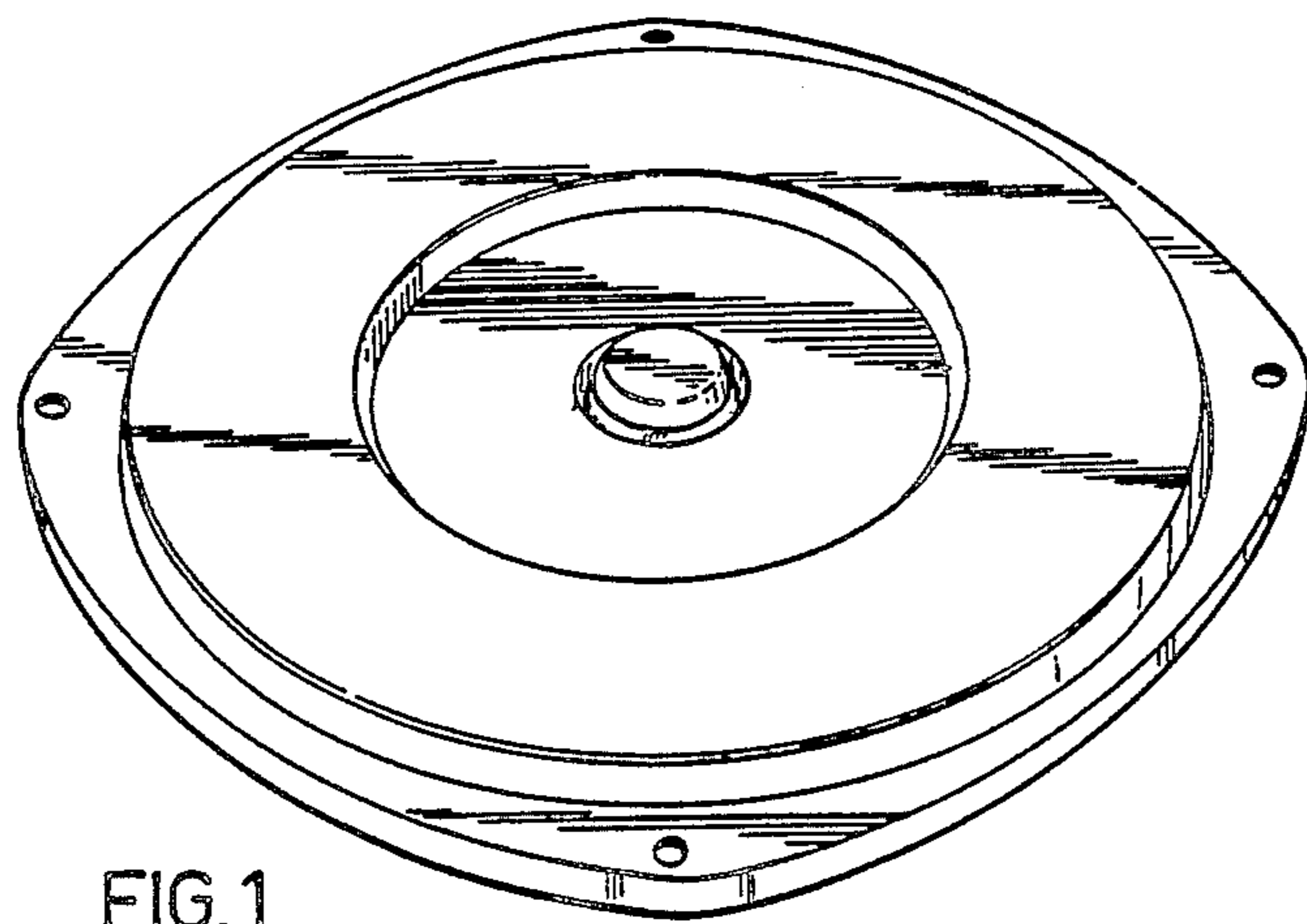


FIG. 1

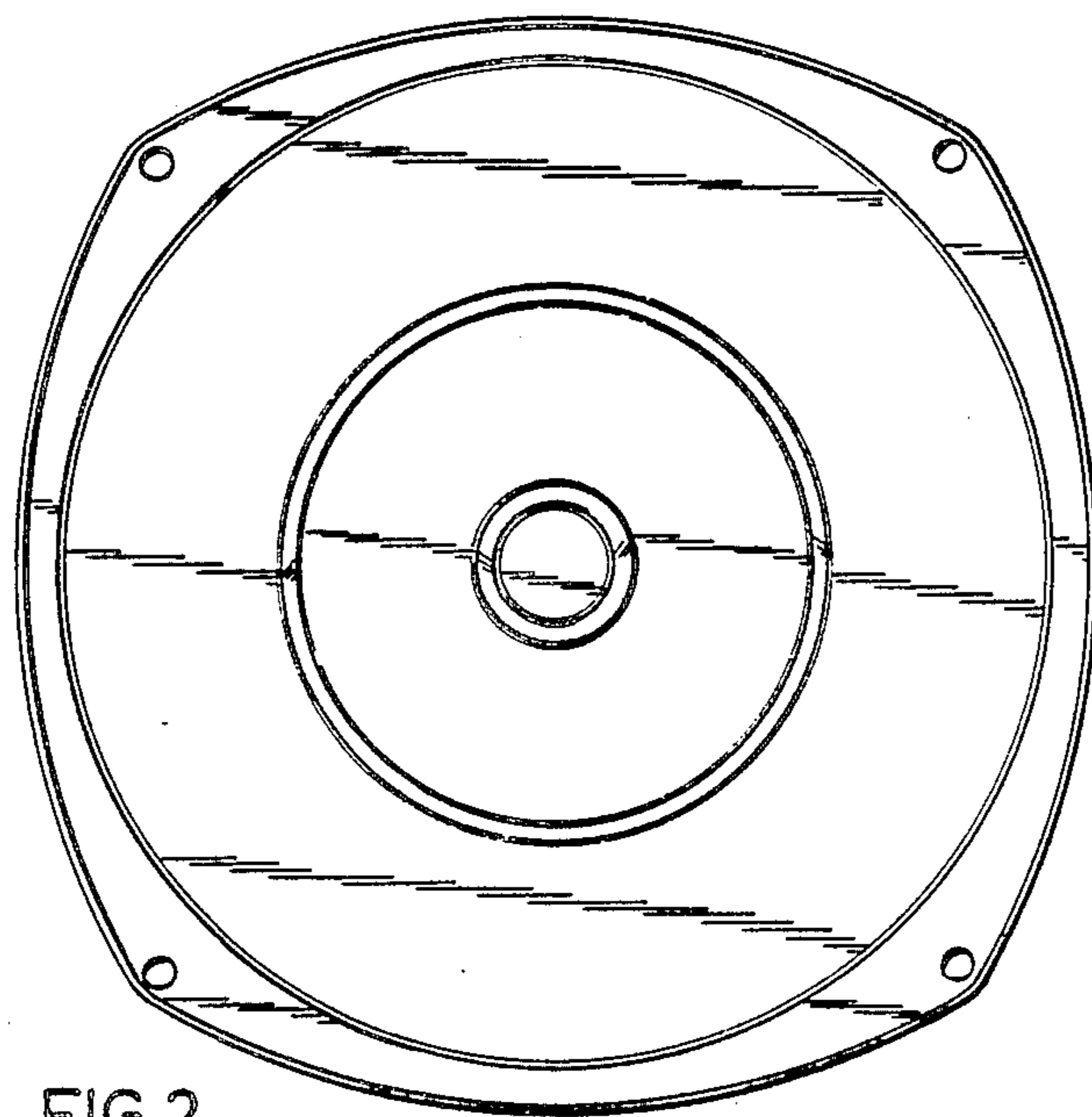


FIG. 2

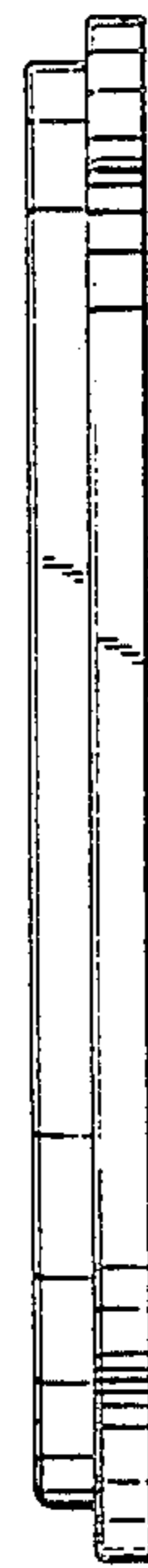


FIG. 3