

[54] WATER TREATMENT ASSEMBLY HEAD

[75] Inventors: Donald T. Bray, Escondido; Clement C. Macevicz, San Diego, both of Calif.

[73] Assignee: Nimbus Water Systems, Inc., Escondido, Calif.

[\*\*] Term: 14 Years

[21] Appl. No.: 824,143

[22] Filed: Jan. 30, 1986

[52] U.S. Cl. .... D23/207

[58] Field of Search ..... D23/3, 4, 148; 210/153, 210/190, 198.1, 199, 322-323.2, 340, 348

[56] References Cited

U.S. PATENT DOCUMENTS

D. 136,021	7/1943	Kraissl, Jr. ....	D23/4
D. 250,415	11/1978	Rosaen et al. ....	D23/4
D. 290,638	6/1987	Bishop ....	D23/3
4,192,750	3/1980	Elfes et al. ....	210/133

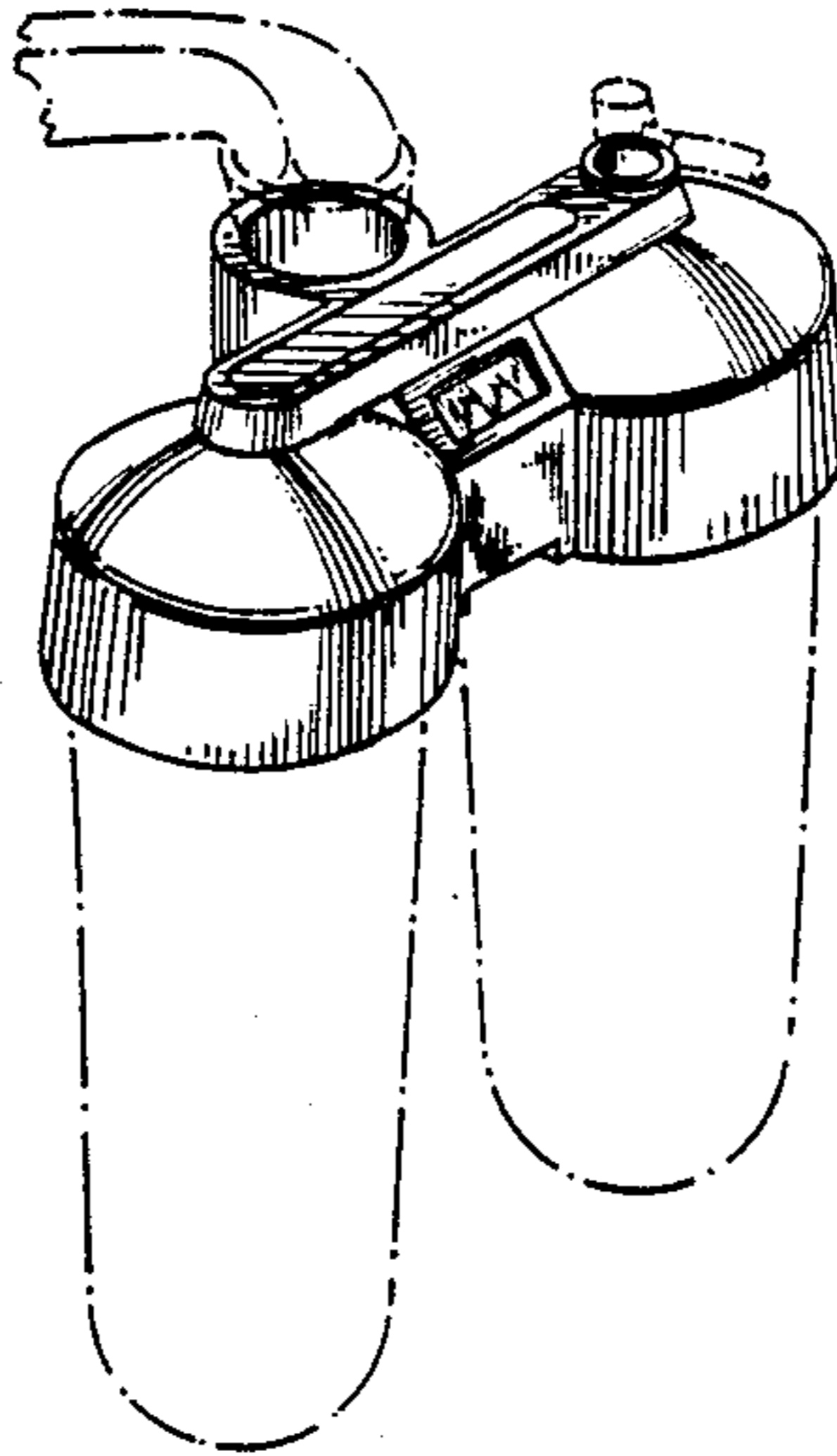
Primary Examiner—Susan J. Lucas  
Assistant Examiner—Brian N. Vinson  
Attorney, Agent, or Firm—Fitch, Even, Tabin & Flannery

[57] CLAIM

The ornamental design for a water treatment assembly head, as shown and described.

DESCRIPTION

FIG. 1 is a top and front perspective view of a water treatment assembly head showing our new design, the partial broken-line showing of the faucet filter cartridges and tubing being for illustrative purposes only and forming no part of the claimed design; FIG. 2 is a right side elevational view thereof the left side being a mirror image; FIG. 3 is a front elevational view thereof; FIG. 4 is a rear elevational view thereof; FIG. 5 is a top plan view thereof; FIG. 6 is a bottom plan view thereof; and FIG. 7 is a vertical cross-sectional view thereof, taken along line 7—7 of FIG. 5.



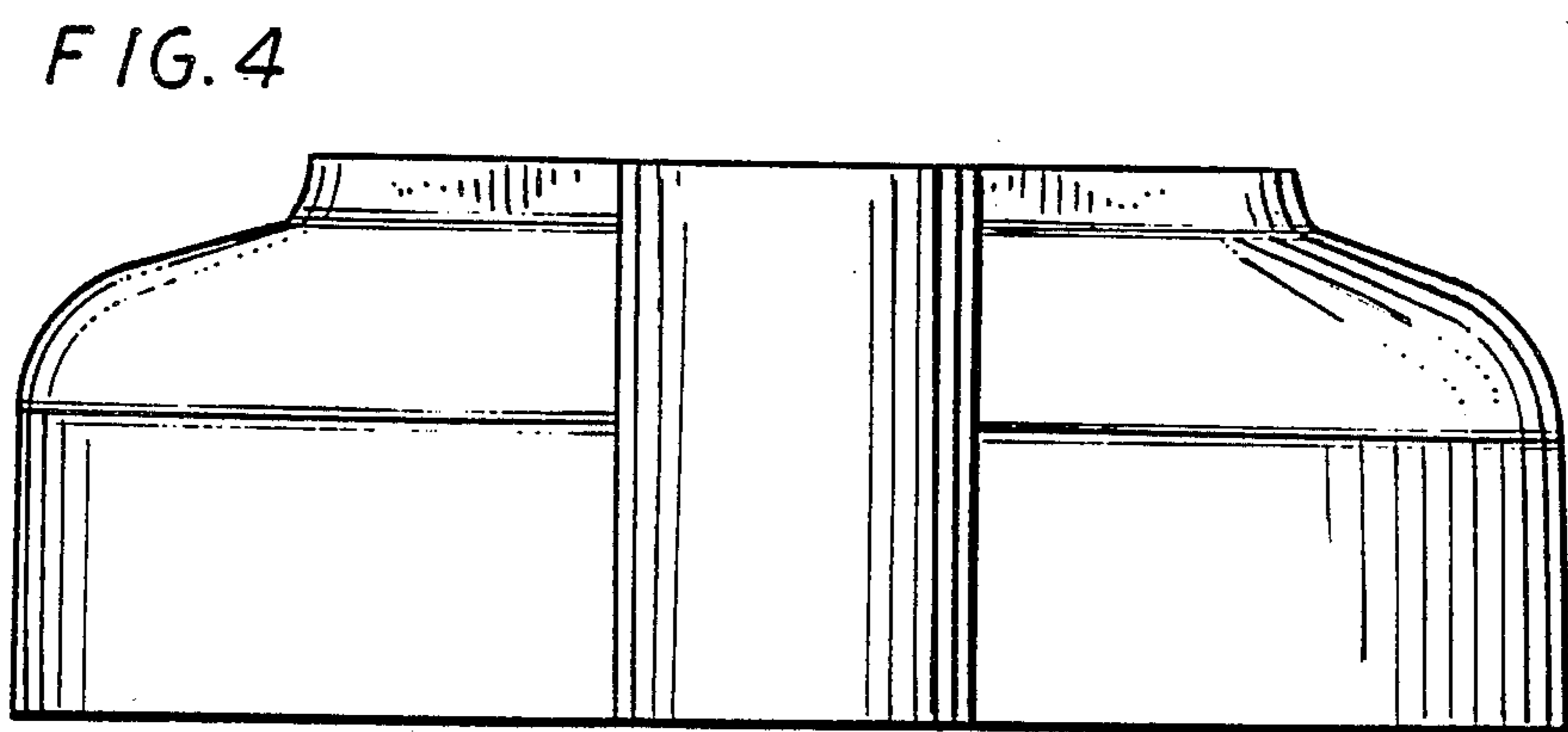
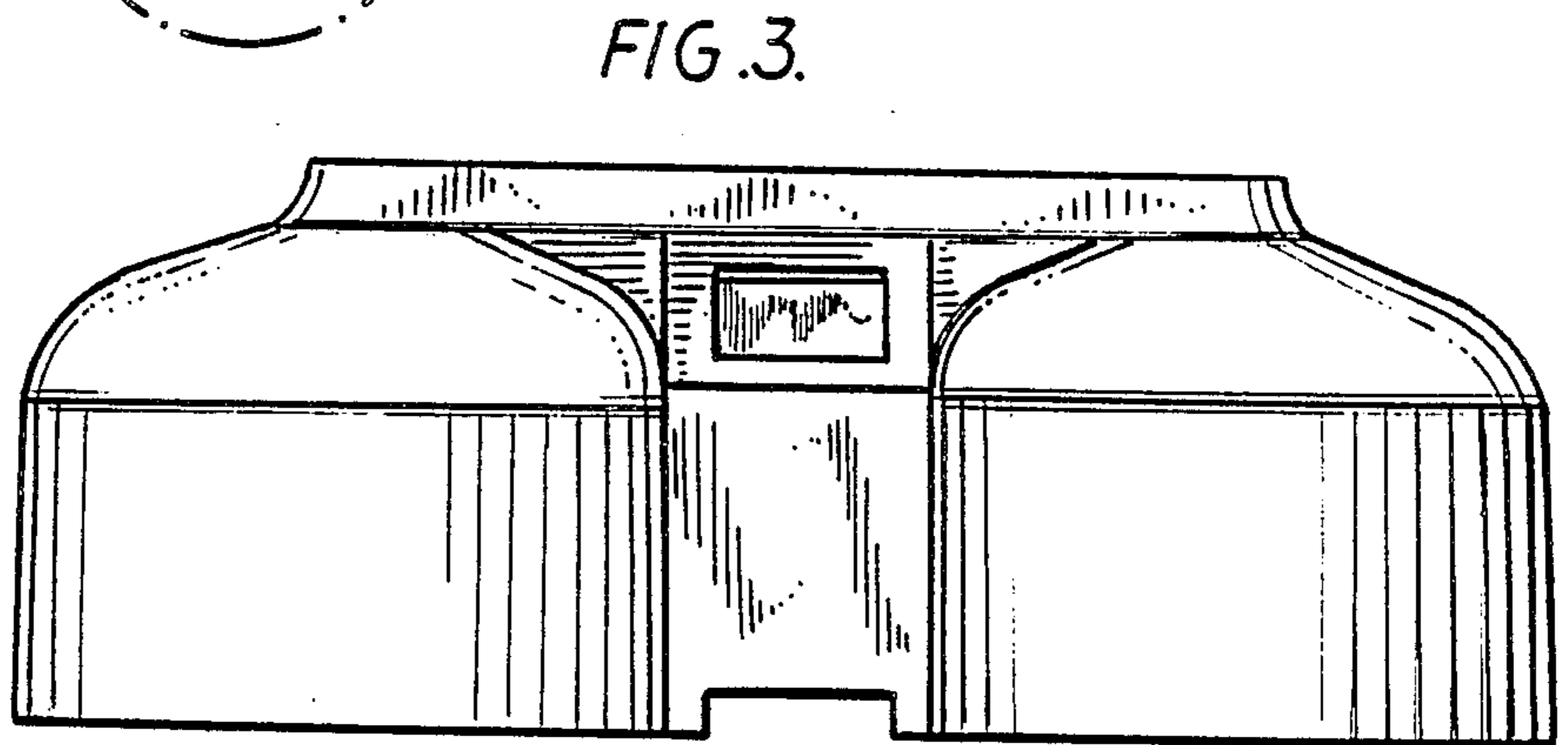
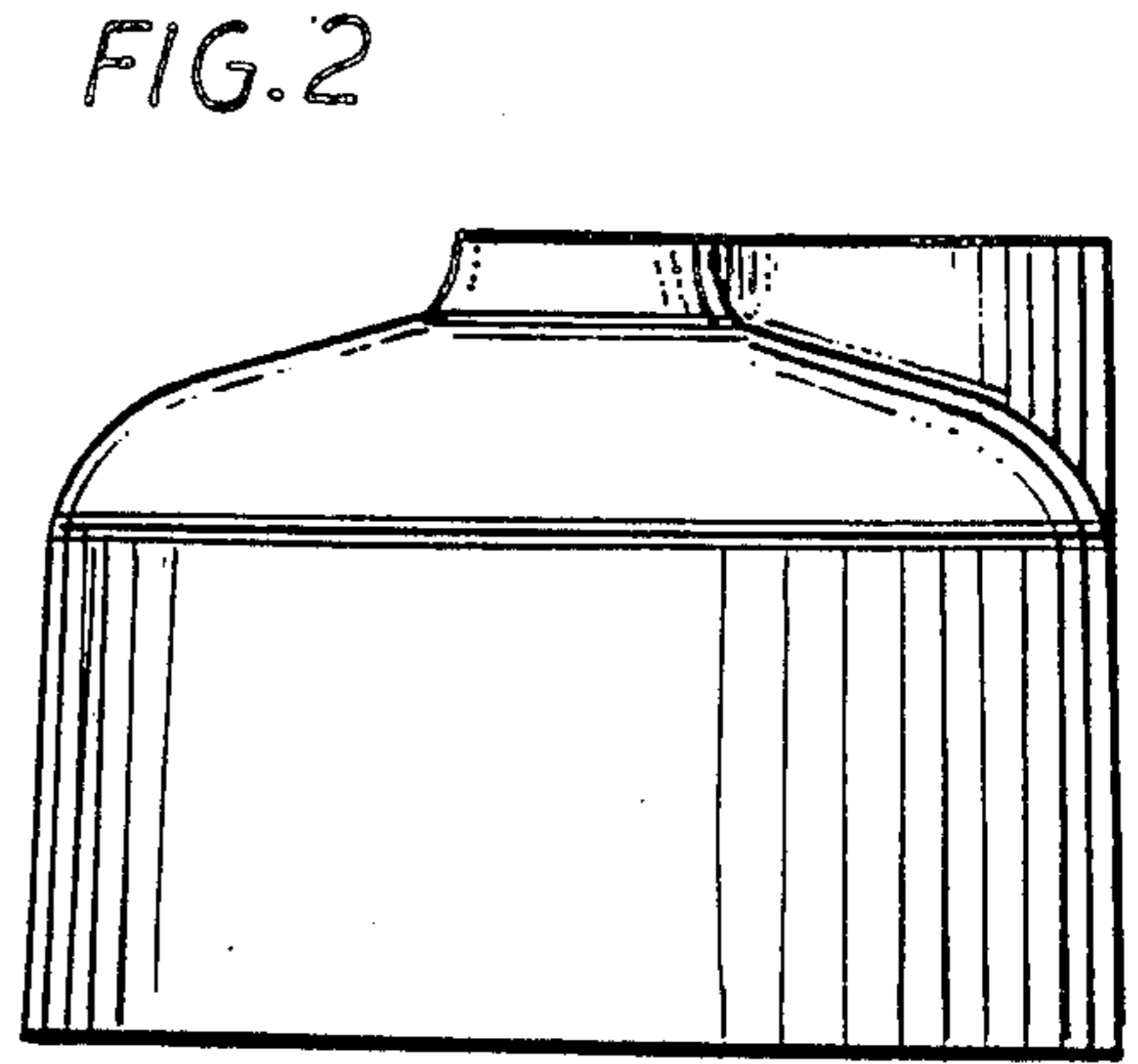
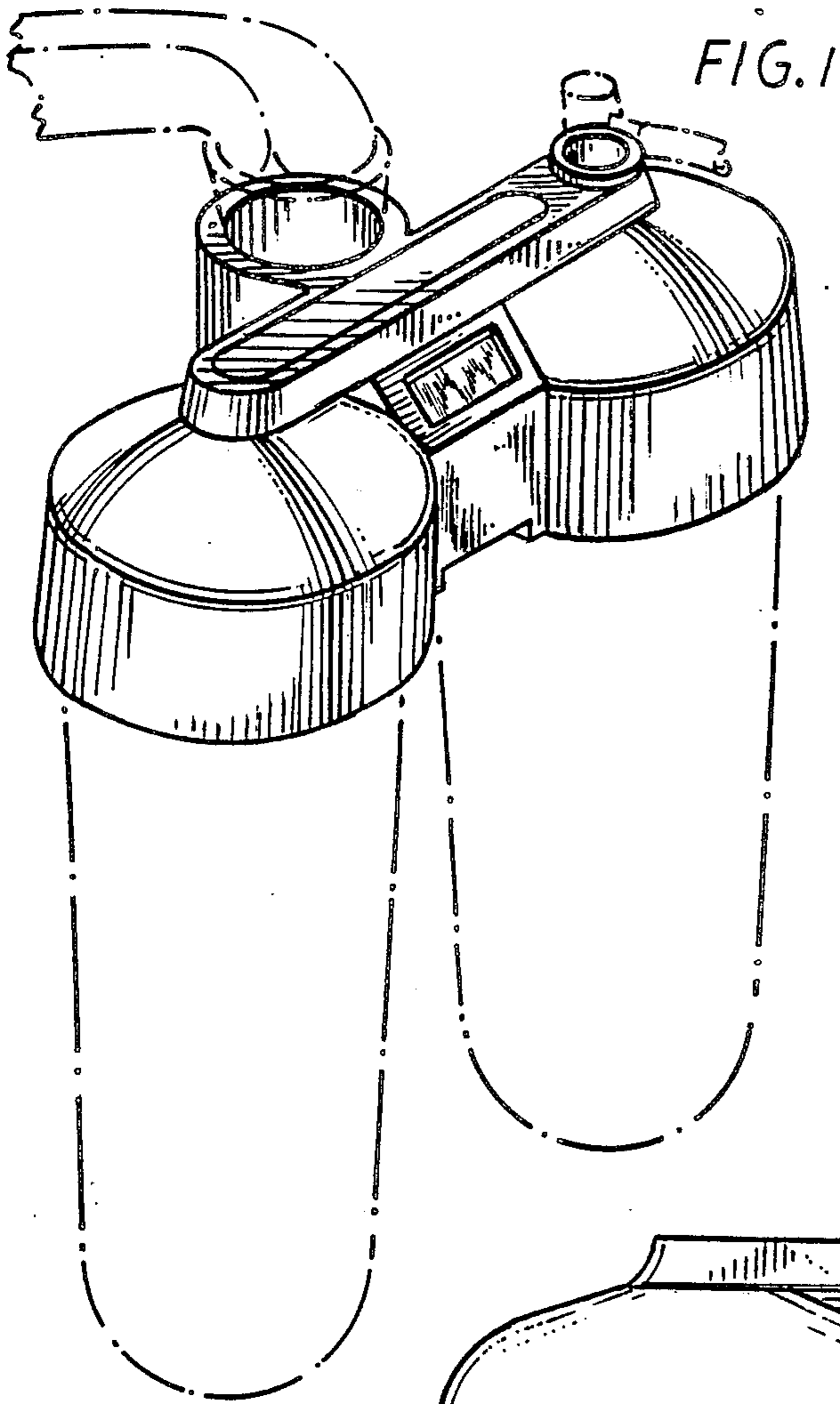


FIG. 5

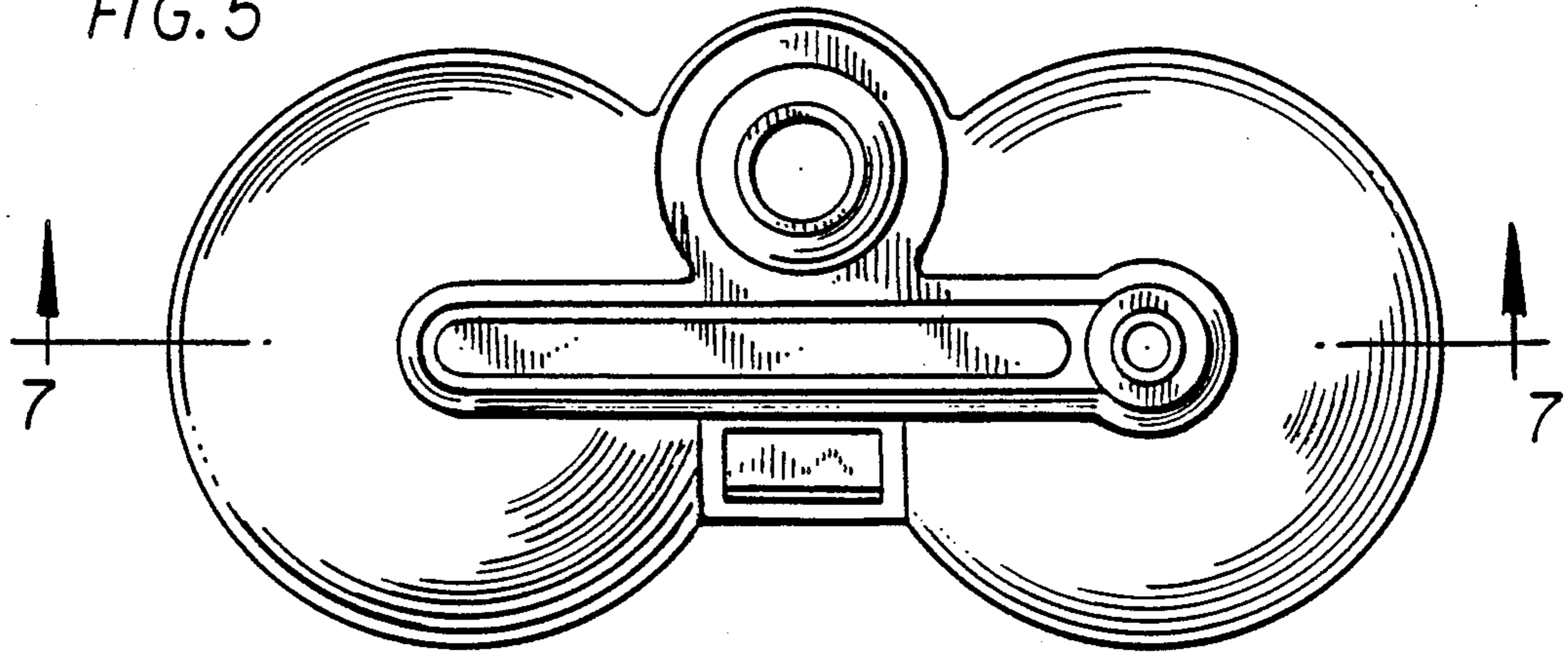


FIG. 6

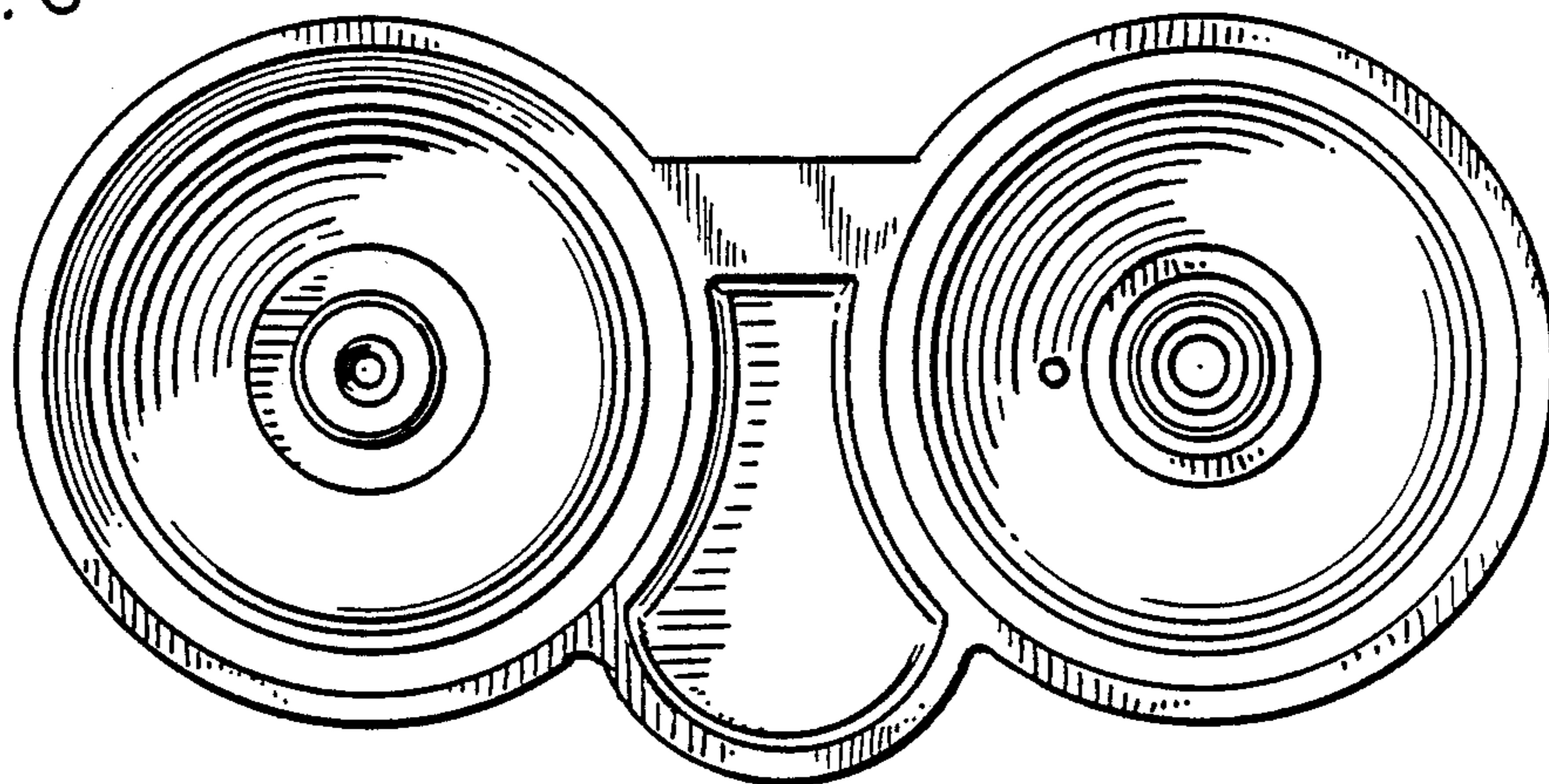


FIG. 7

