

[54] FISHING LURE HEAD

[76] Inventor: Brooks Morris, 32232 Azores Rd., Laguna Niguel, Calif. 92677

[\*\*] Term: 14 Years

[21] Appl. No.: 686,222

[22] Filed: Dec. 24, 1984

[52] U.S. Cl. .... D22/126

[58] Field of Search ..... 43/42.25, 42.28, 42.48; D22/128, 126

[56] References Cited

U.S. PATENT DOCUMENTS

1,612,264	12/1926	Cressey	43/42.48	X
2,561,040	7/1951	Arbogast	43/42.28	X
2,708,325	5/1955	Dillon	43/42.28	
3,497,987	3/1970	Perrin	43/42.28	
4,006,551	2/1977	Messacar	43/42.28	X

Primary Examiner—A. Hugo Word  
Attorney, Agent, or Firm—Knobbe, Martens, Olson & Bear

[57] CLAIM

The ornamental design for a fishing lure head, as illustrated and described.

DESCRIPTION

FIG. 1 is a right side elevational view of my new lure head, which is a mirror image of the left side elevational view;

FIG. 2 is a front end view of the lure head;

FIG. 3 is a rear end view of the lure head;

FIG. 4 is a right side elevational view of another embodiment of the lure head, and is a mirror image of the left side elevational view;

FIG. 5 is a front end view of the lure head of FIG. 4;

FIG. 6 is a rear end view of the lure head of FIG. 4; and

FIG. 7 is a cross-sectional view of the lure head of FIG. 4 on line 7—7.

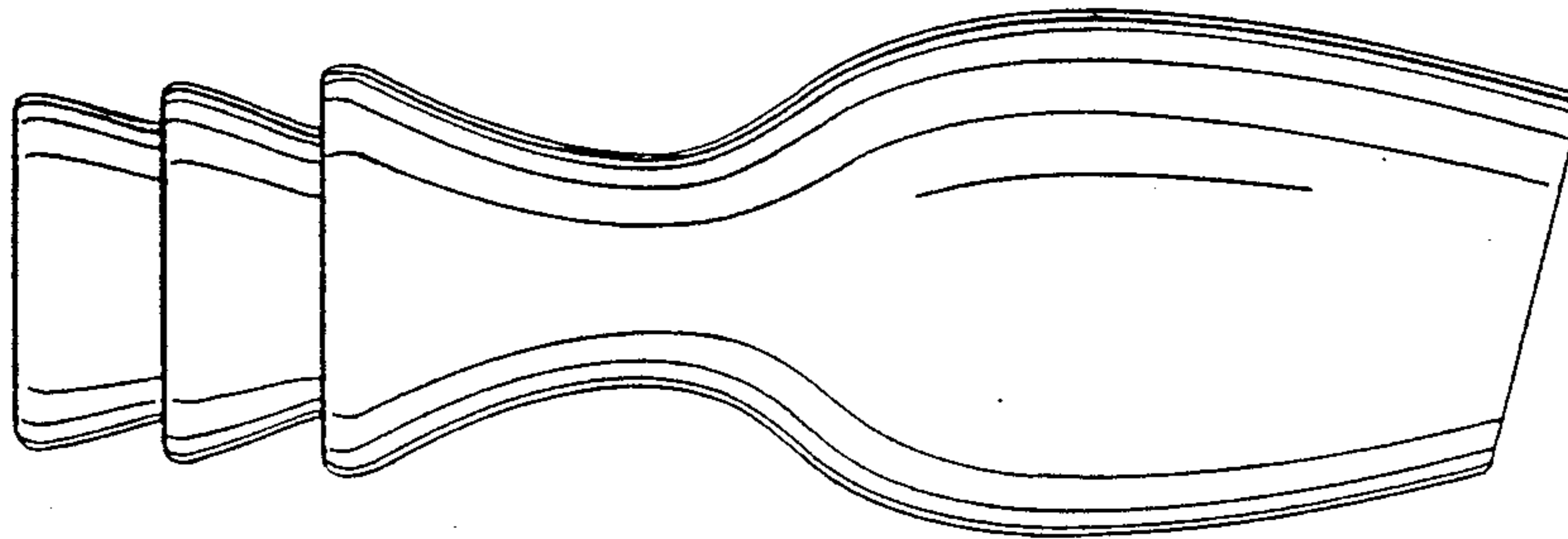


FIG. 1

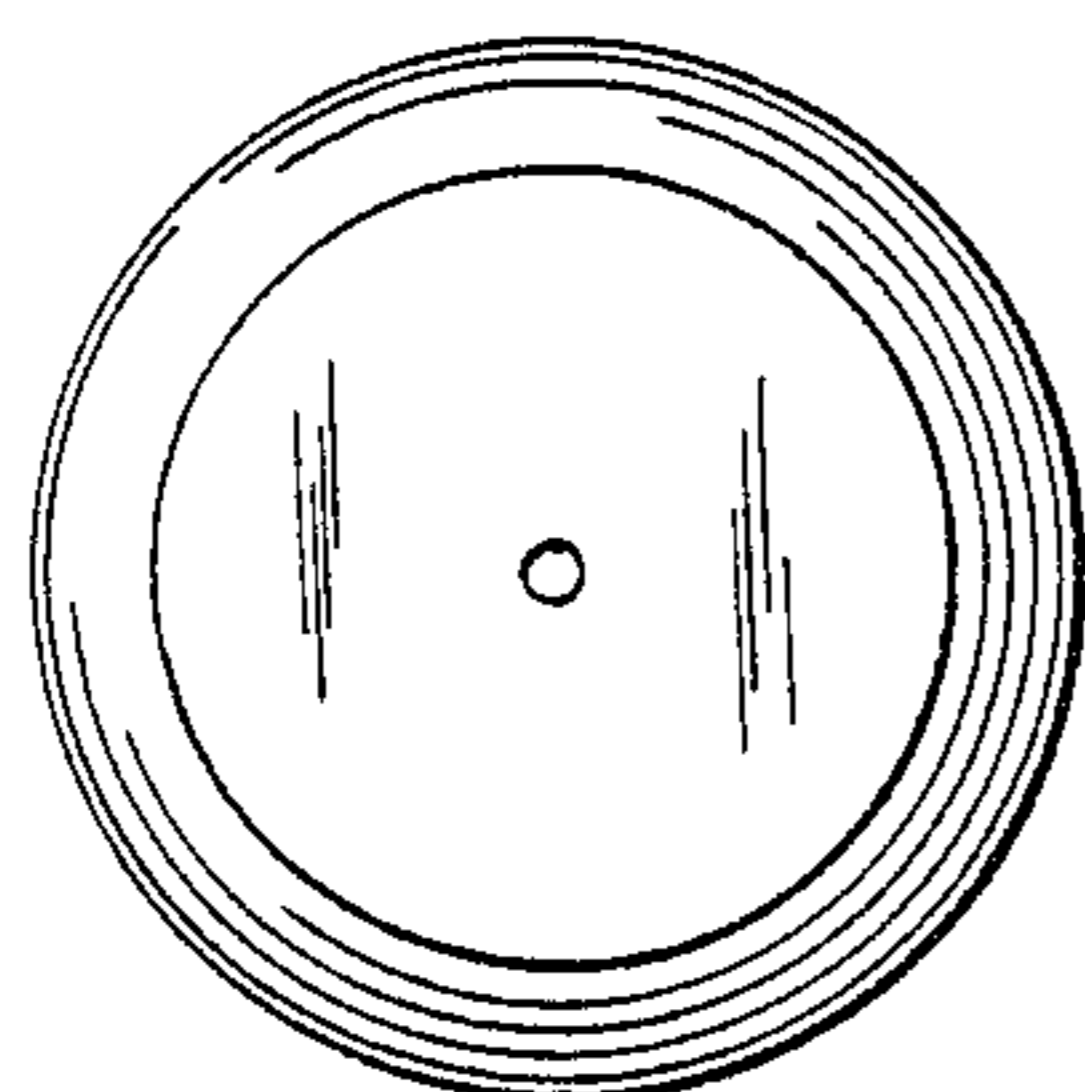
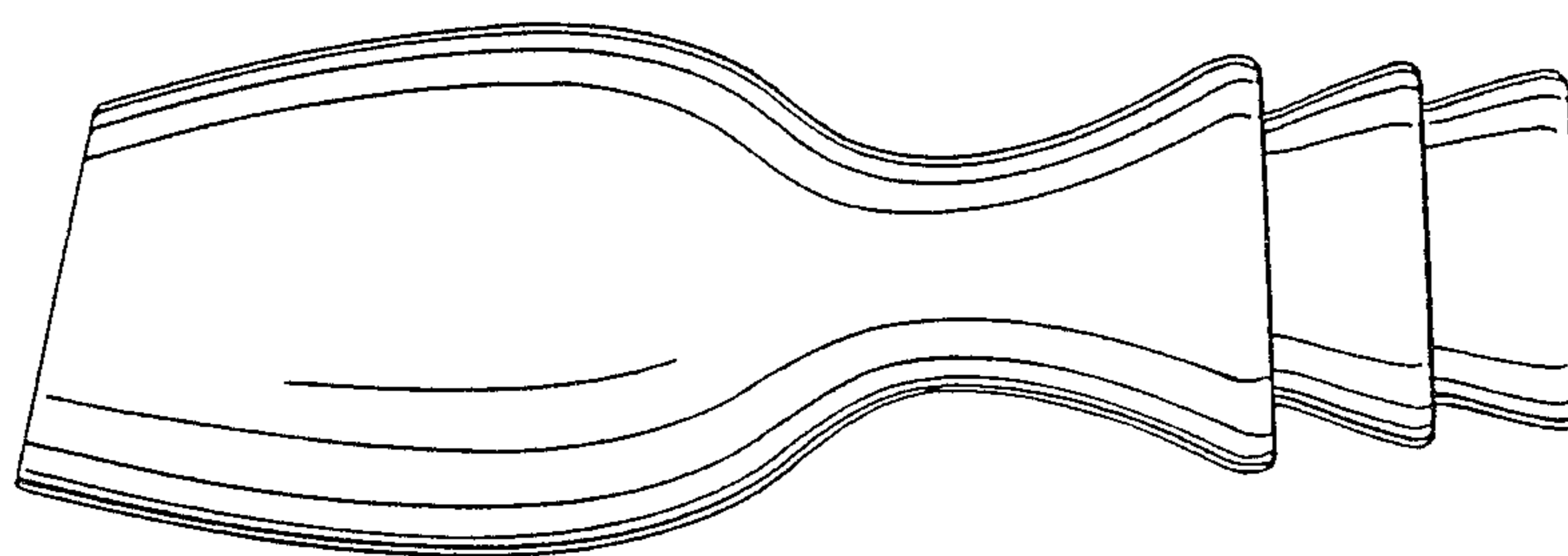


FIG. 2

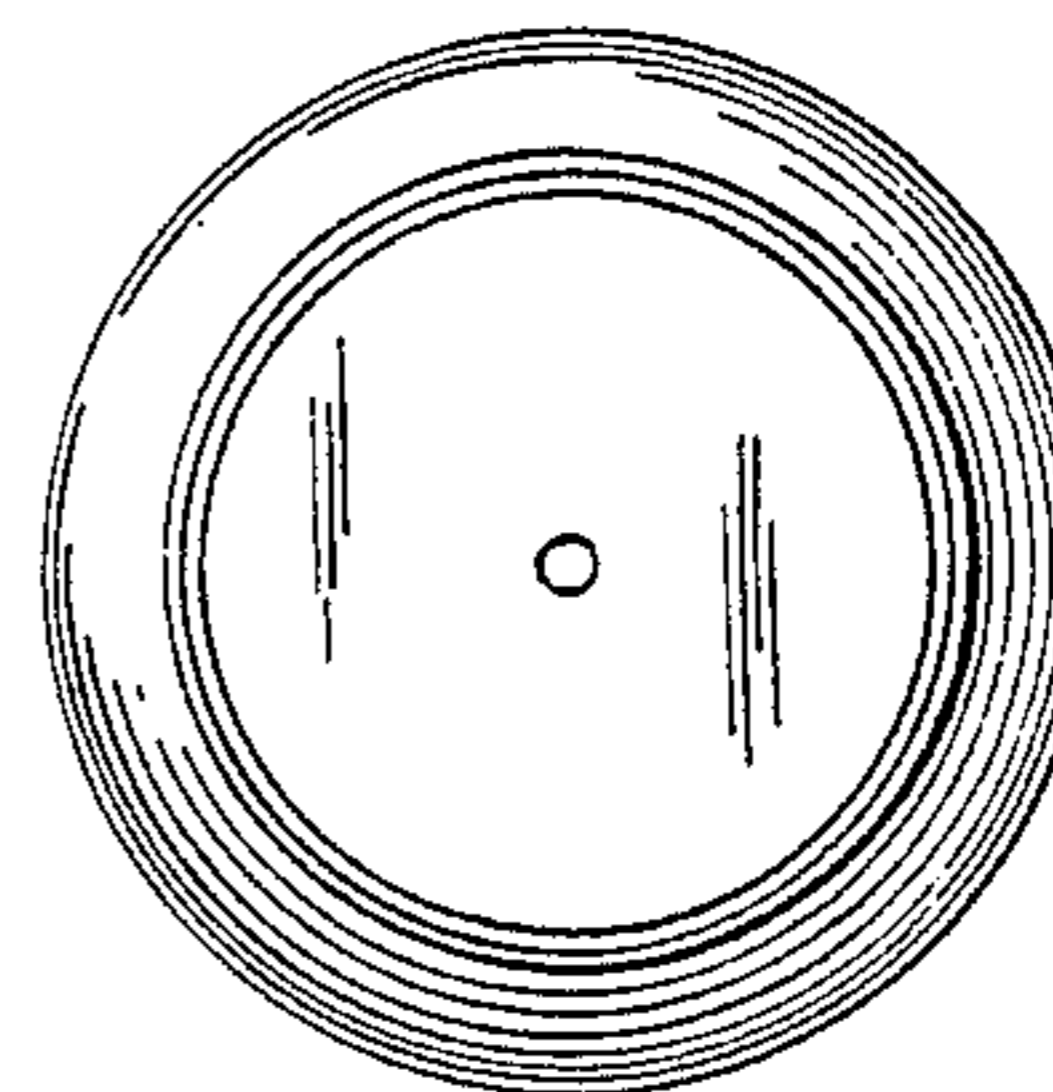


FIG. 3

FIG. 4

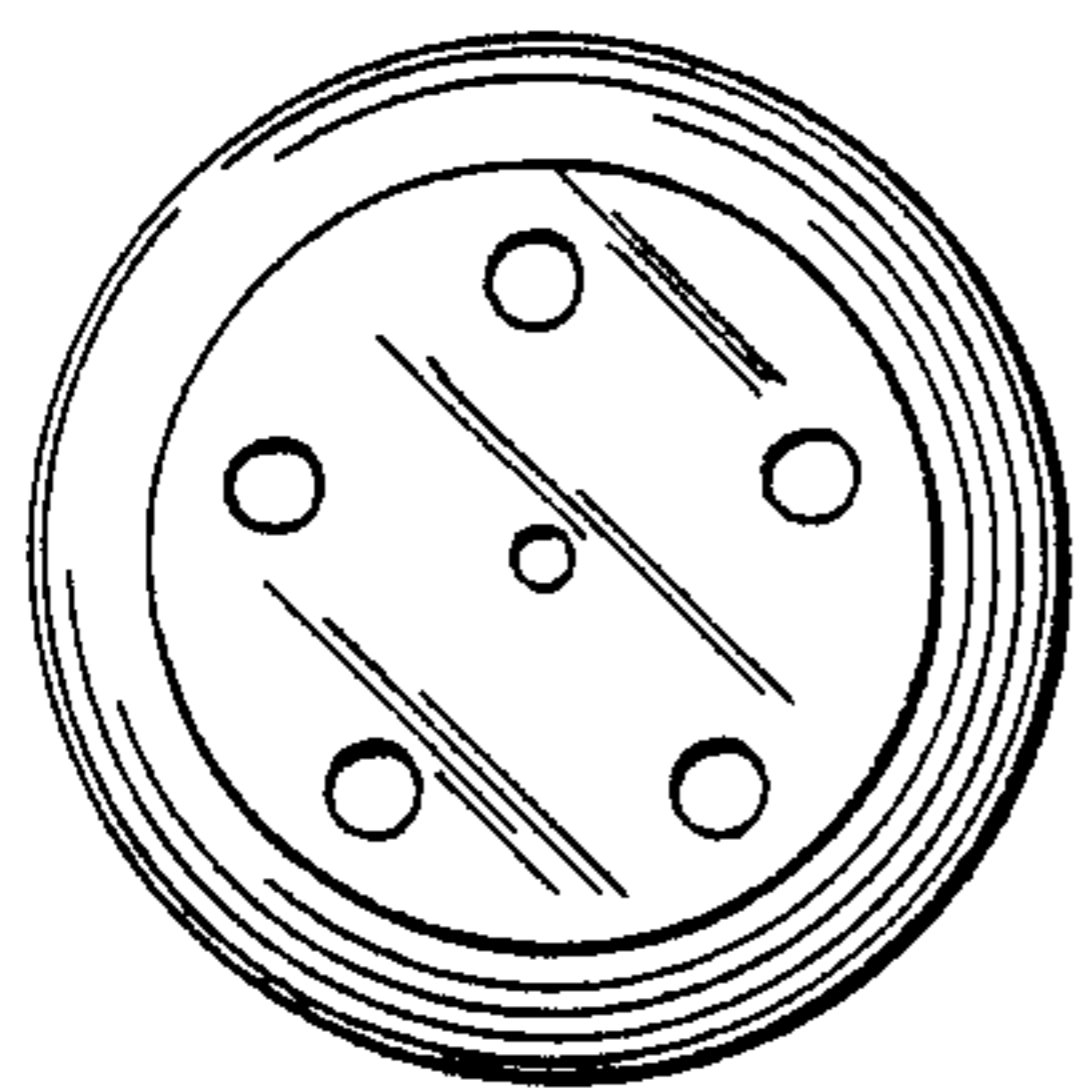
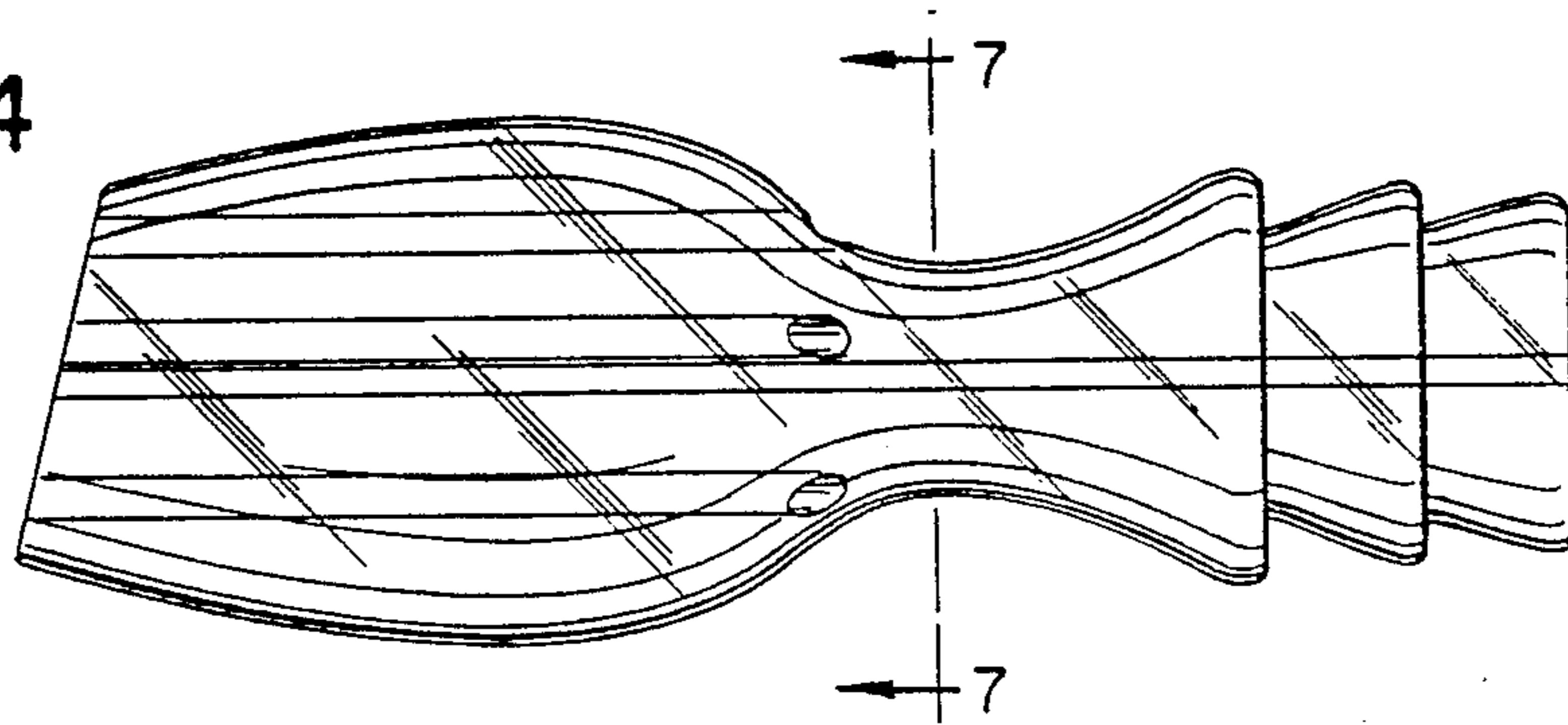


FIG. 5

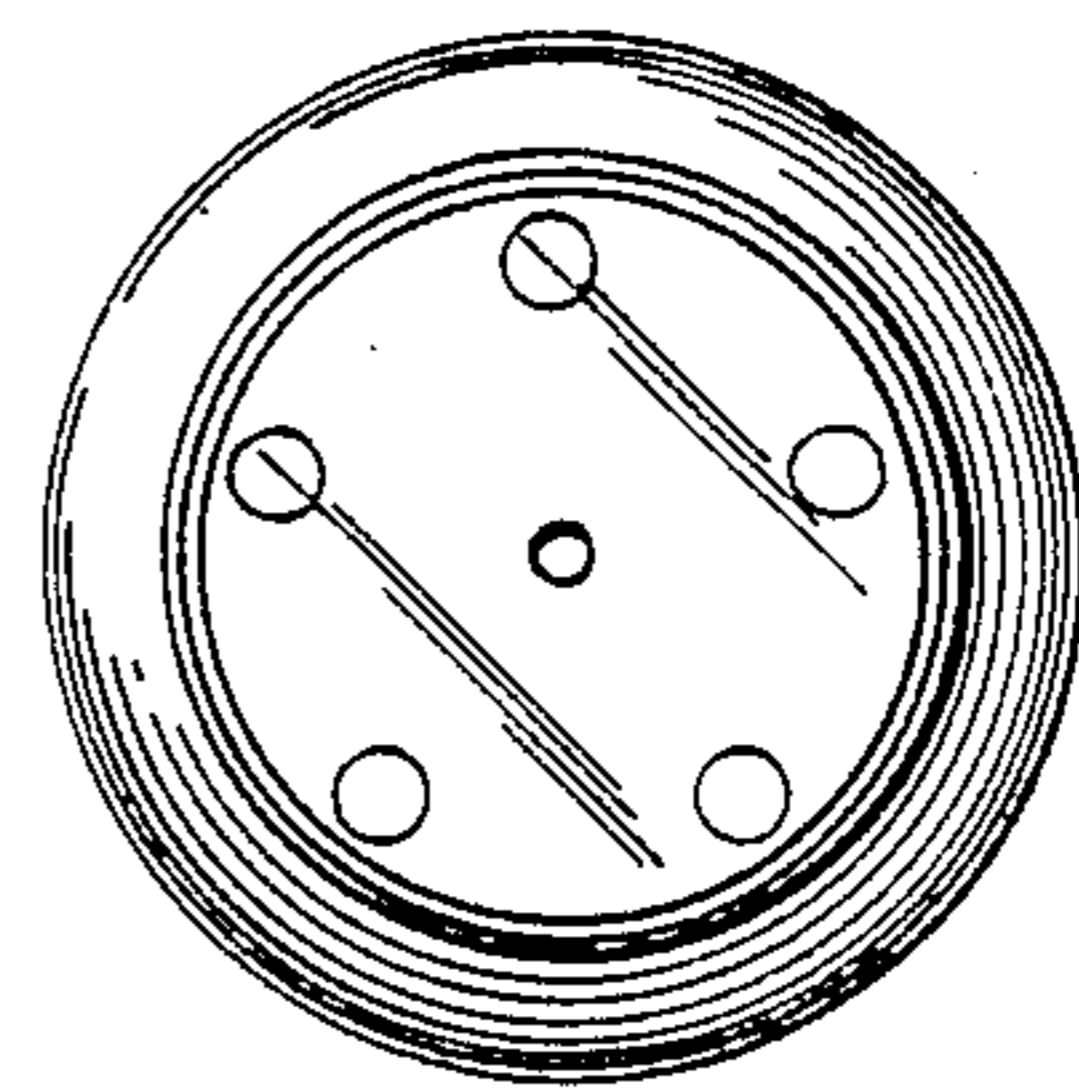


FIG. 6

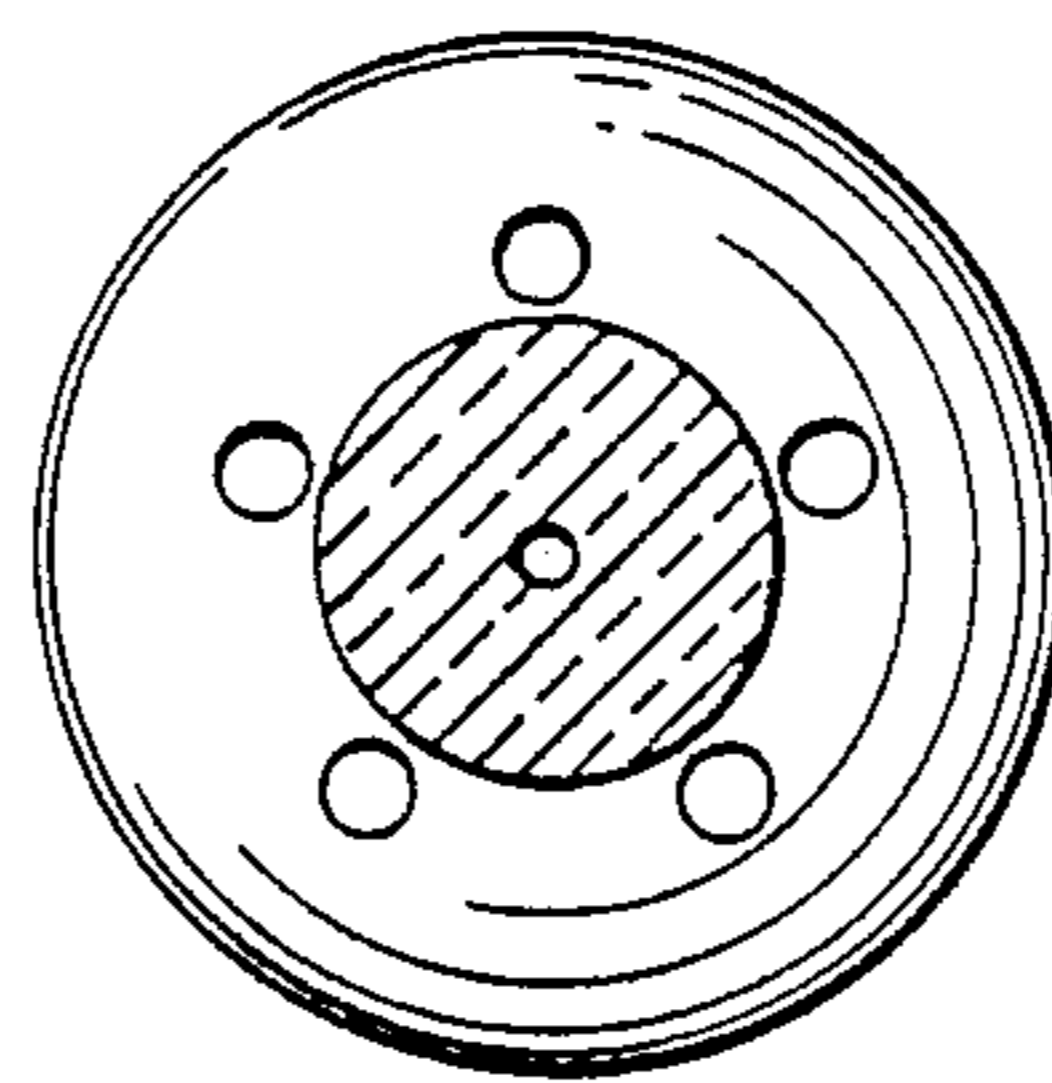


FIG. 7