

[54] PUZZLE TOY

[76] Inventor: Wilmo C. Orejola, 1012 Black Oak Ridge Rd., Wayne, N.J. 07470

[**] Term: 14 Years

[21] Appl. No.: 706,932

[22] Filed: Feb. 28, 1985

[52] U.S. Cl. D21/104

[58] Field of Search D21/104, 105, 106, 107, D21/65; 273/153 R, 158, 157, 155

[56] References Cited

U.S. PATENT DOCUMENTS

D. 118,838	2/1940	Roch	D21/107
D. 234,708	4/1975	Rostock	D21/104
D. 283,523	4/1986	Balint	D21/104
D. 288,576	3/1987	Williams et al.	D21/104

Primary Examiner—Charles A. Rademaker
Attorney, Agent, or Firm—Linval B. Castle

[57] CLAIM

The ornamental design for a puzzle toy, as shown and described.

DESCRIPTION

FIG. 1 is a top plan view of a puzzle toy showing my new design;

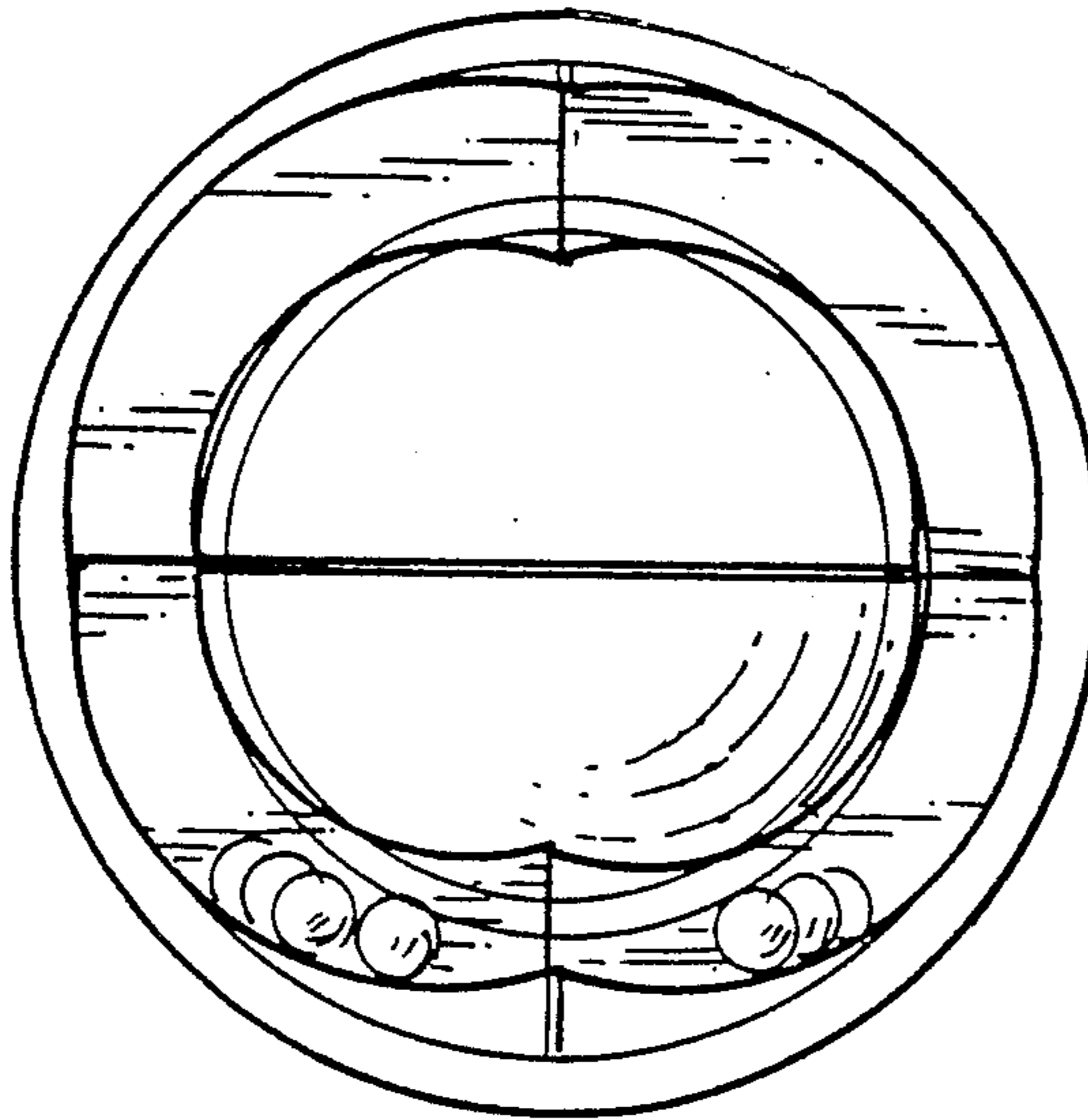
FIG. 2 is a side elevational view thereof taken in the direction of lines 2—2 in FIG. 1;

FIG. 3 is a side elevational view thereof taken in the direction of lines 3—3 in FIG. 1;

FIG. 4 is a side elevational view thereof taken in the direction of lines 4—4 in FIG. 1;

FIG. 5 is a side elevational view thereof taken in the direction of lines 5—5 in FIG. 1; and

FIG. 6 is a bottom plan view thereof.



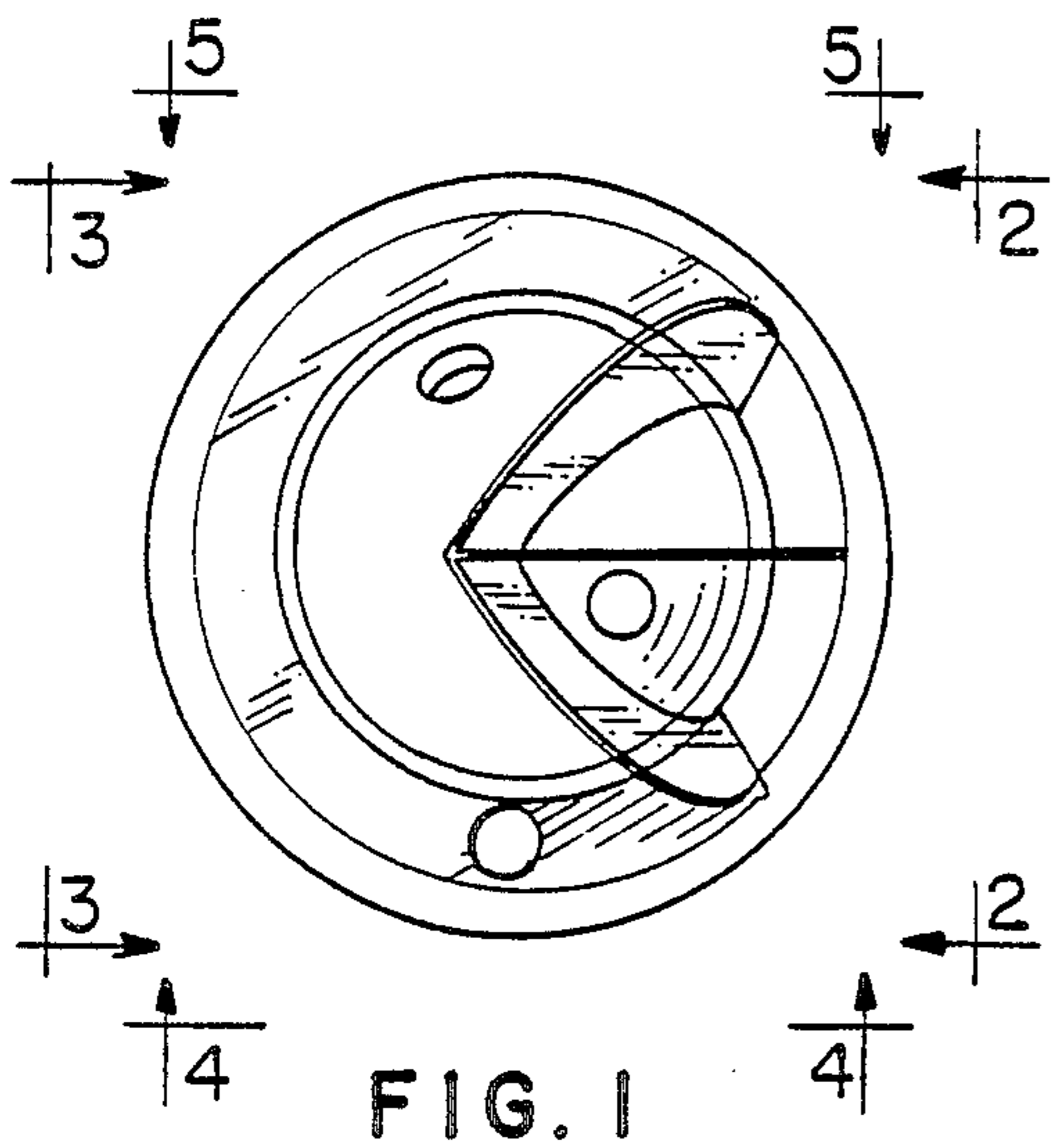


FIG. 1

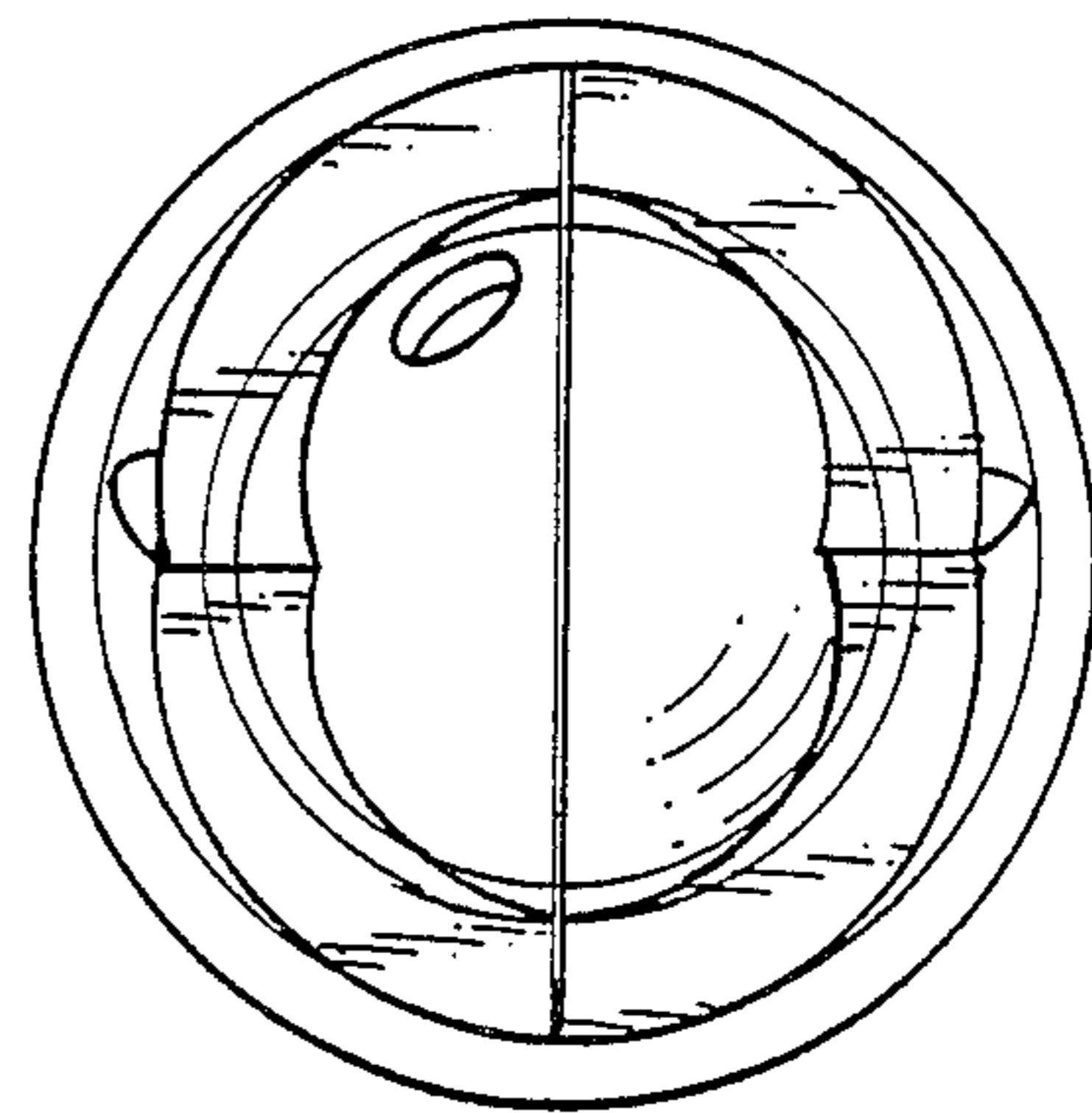


FIG. 2

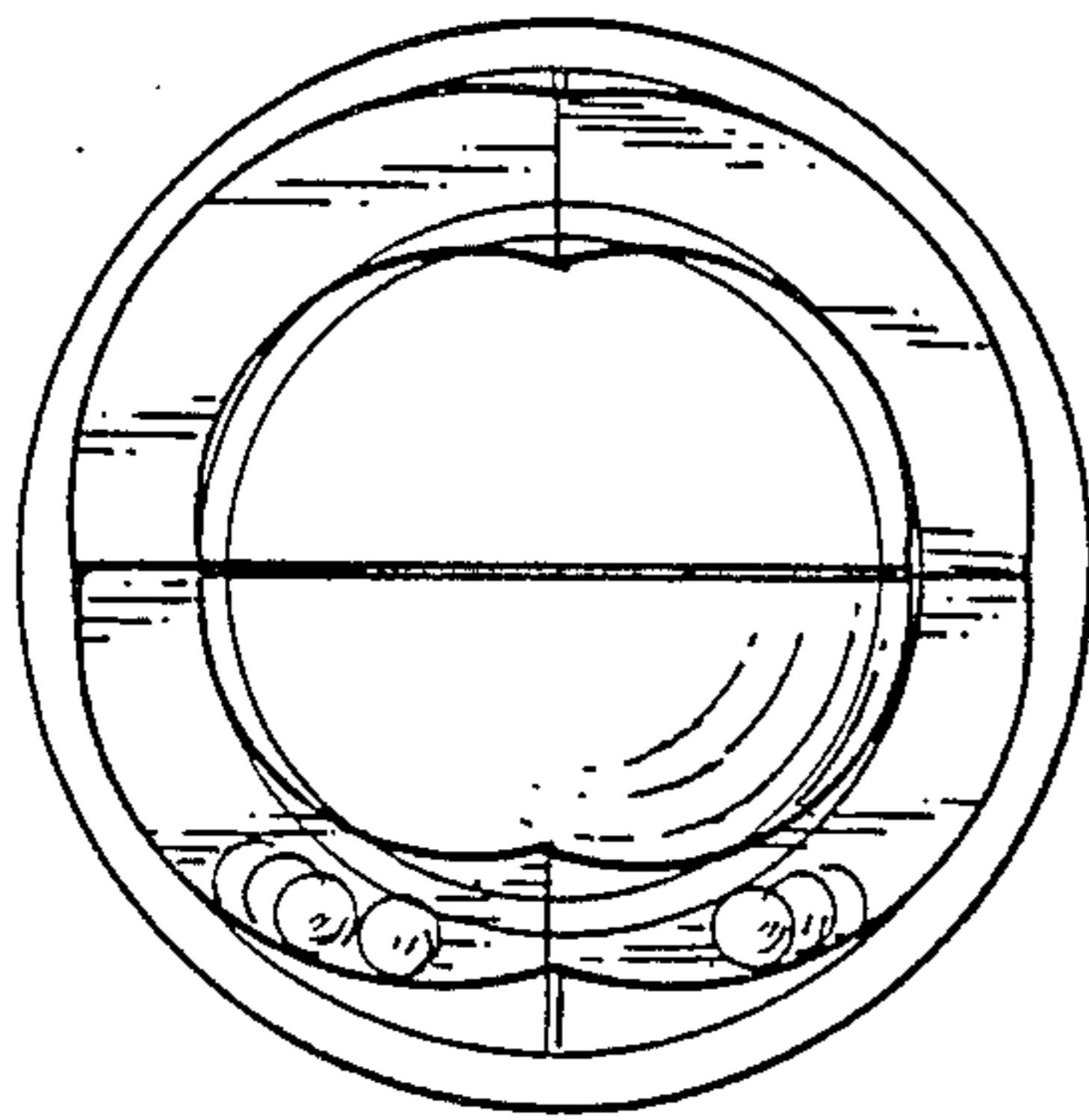


FIG. 3

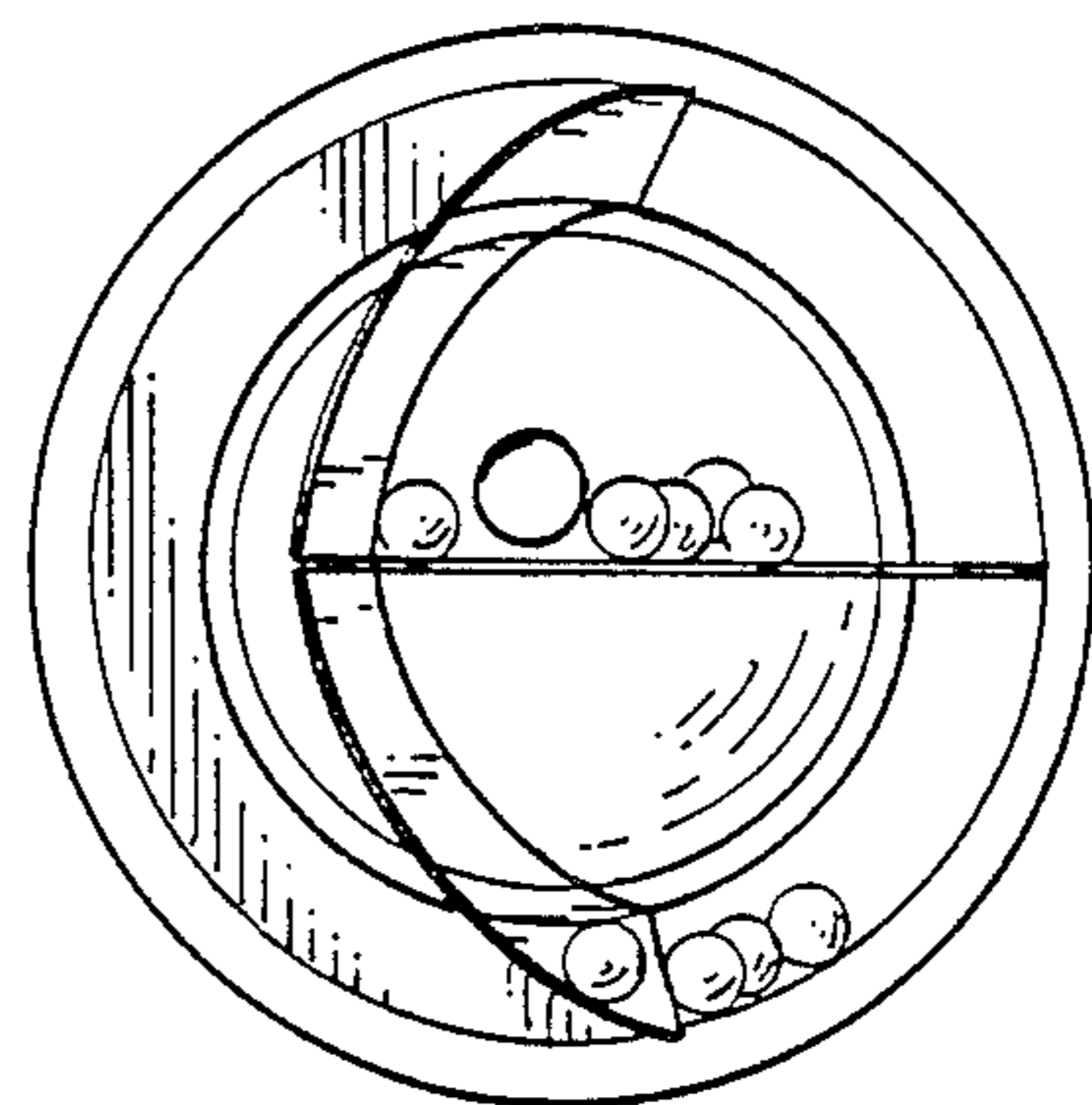


FIG. 5

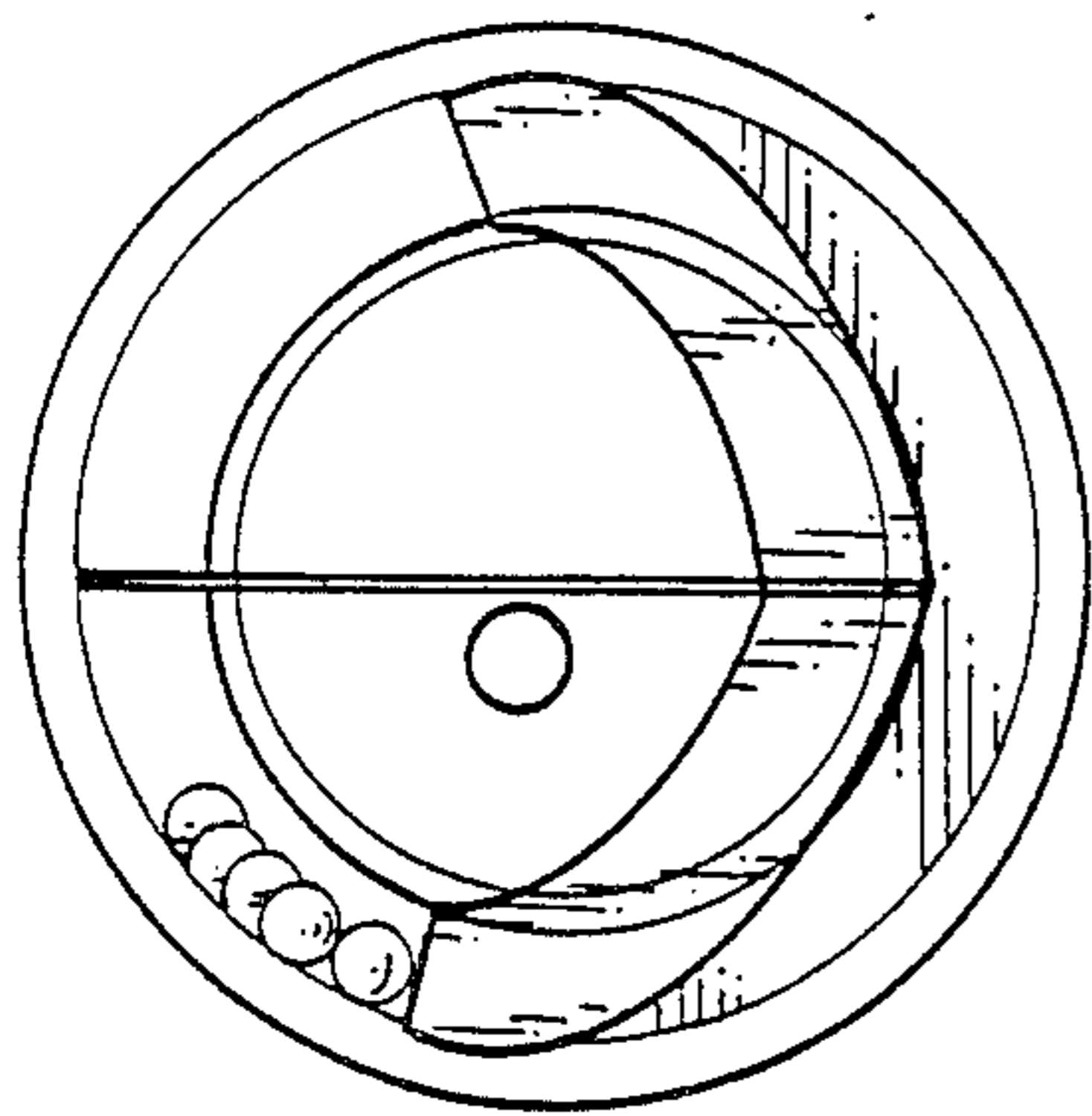


FIG. 4

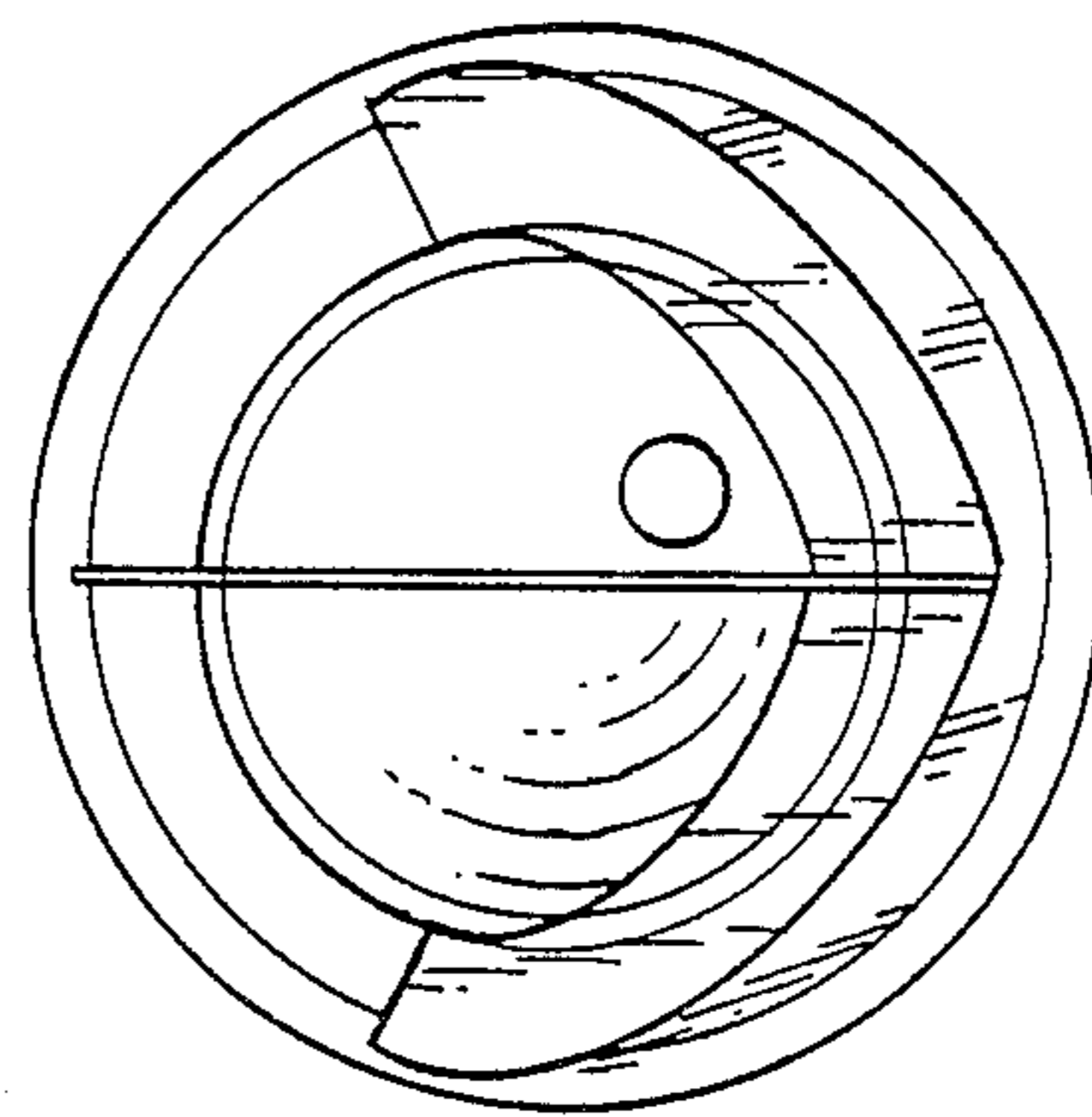


FIG. 6