

[54] ERASABLE MEMORANDUM BOARD WITH ADVERTISING SPACE

[75] Inventor: Joseph R. Battaglia, Seward, Nebr.

[73] Assignee: Message Board, Inc., Flower Mound, Tex.

[**] Term: 14 Years

[21] Appl. No.: 747,418

[22] Filed: Jun. 21, 1985

[52] U.S. Cl. D19/52

[58] Field of Search D19/52; D20/10, 19, D20/40, 42; 40/584, 611, 617; 434/408

[56] References Cited

U.S. PATENT DOCUMENTS

- D. 270,273 8/1983 Kosmickie D19/7
- D. 274,589 7/1984 Christensen et al. D19/52 X

Primary Examiner—Catherine E. Kemper
Attorney, Agent, or Firm—Zarley, McKee, Thomte, Voorhees & Sease

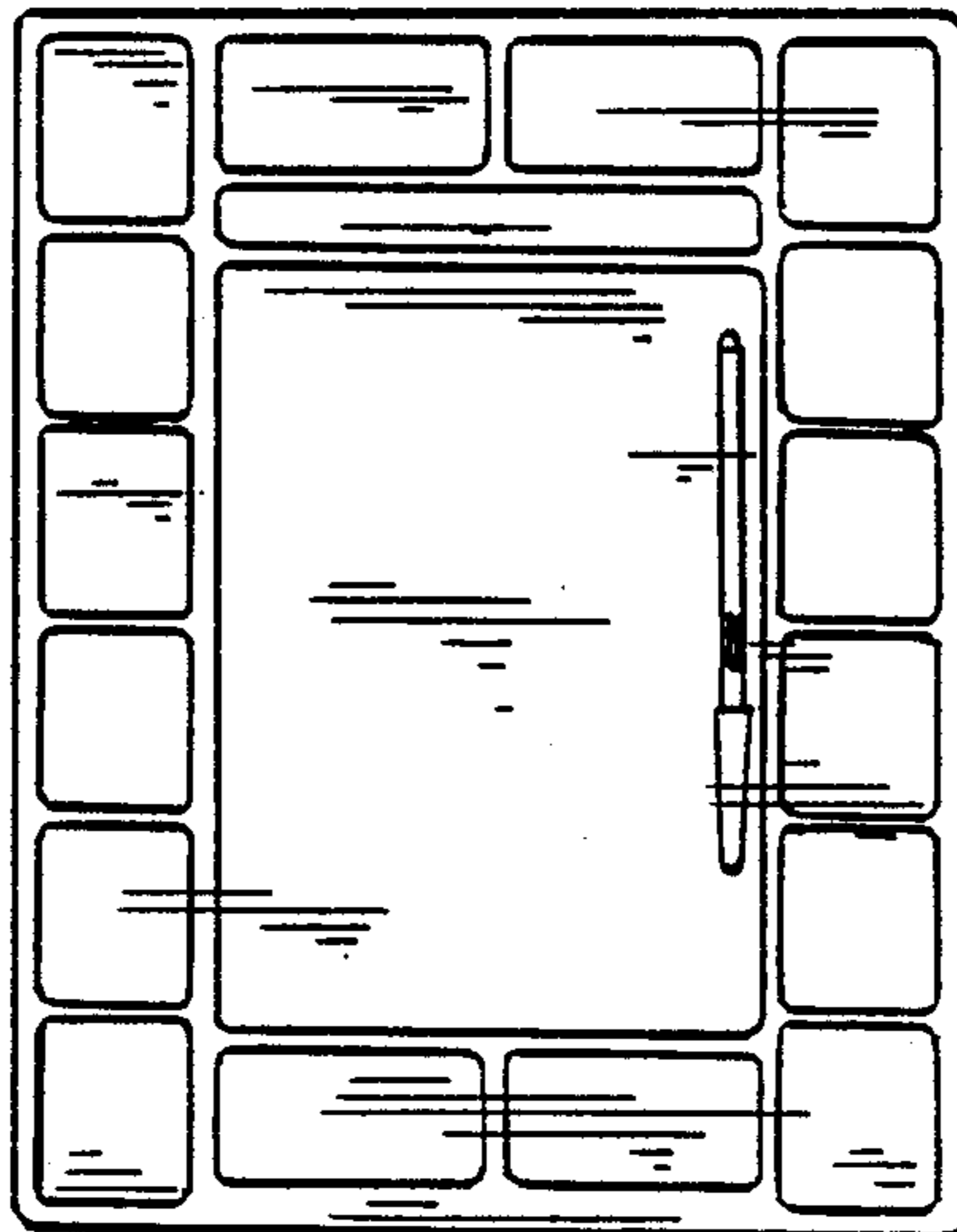
[57] CLAIM

The ornamental design for an erasable memorandum board with advertising space, substantially as shown and described.

DESCRIPTION

FIG. 1 is a perspective view of a first embodiment of an erasable memorandum board with advertising space, showing my new design;
 FIG. 2 is a top plan view thereof;
 FIG. 3 is a bottom plan view thereof;
 FIG. 4 is a front elevational view thereof of which the back elevational view is a mirror image;
 FIG. 5 is a side elevational view thereof of which the opposite side elevational view is a mirror image;
 FIG. 6 is a perspective view of a second embodiment of

an erasable memorandum board with advertising space, showing my new design;
 FIG. 7 is a top plan view of the embodiment of FIG. 6;
 FIG. 8 is a bottom plan view thereof;
 FIG. 9 is a front elevational view thereof of which the back elevational view is a mirror image;
 FIG. 10 is a side elevational view thereof of which the opposite side elevational view is a mirror image;
 FIG. 11 is a perspective view of a third embodiment of an erasable memorandum board with advertising space, showing my new design;
 FIG. 12 is a top plan view of the embodiment of FIG. 11;
 FIG. 13 is a bottom plan view thereof;
 FIG. 14 is a front elevational view thereof of which the back elevational view is a mirror image;
 FIG. 15 is a side elevational view thereof, of which the opposite side elevational view is a mirror image;
 FIG. 16 is a perspective view of a fourth embodiment of an erasable memorandum board with advertising space, showing my new design;
 FIG. 17 is a top plan view of the embodiment of FIG. 16;
 FIG. 18 is a bottom plan view thereof;
 FIG. 19 is a front elevational view thereof of which the back elevational view is a mirror image;
 FIG. 20 is a side elevational view thereof of which the opposite side elevational view is a mirror image;
 FIG. 21 is a perspective view of a fifth embodiment of an erasable memorandum board with advertising space, showing my new design;
 FIG. 22 is a top plan view of the embodiment of FIG. 21;
 FIG. 23 is a bottom plan view thereof;
 FIG. 24 is a front elevational view thereof of which the back elevational view is a mirror image; and
 FIG. 25 is a side elevational view thereof of which the opposite side elevational view is a mirror image.



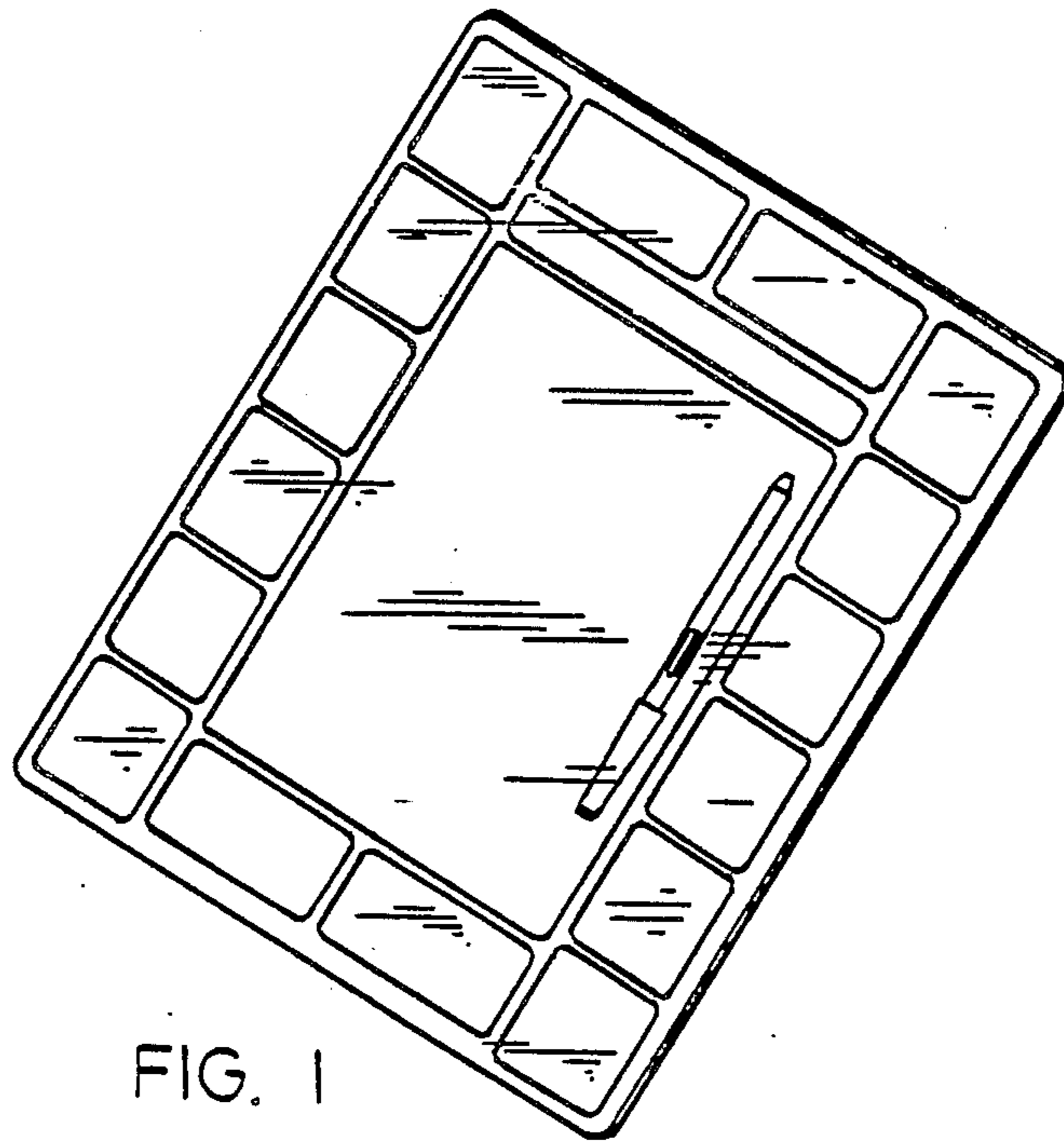


FIG. 1

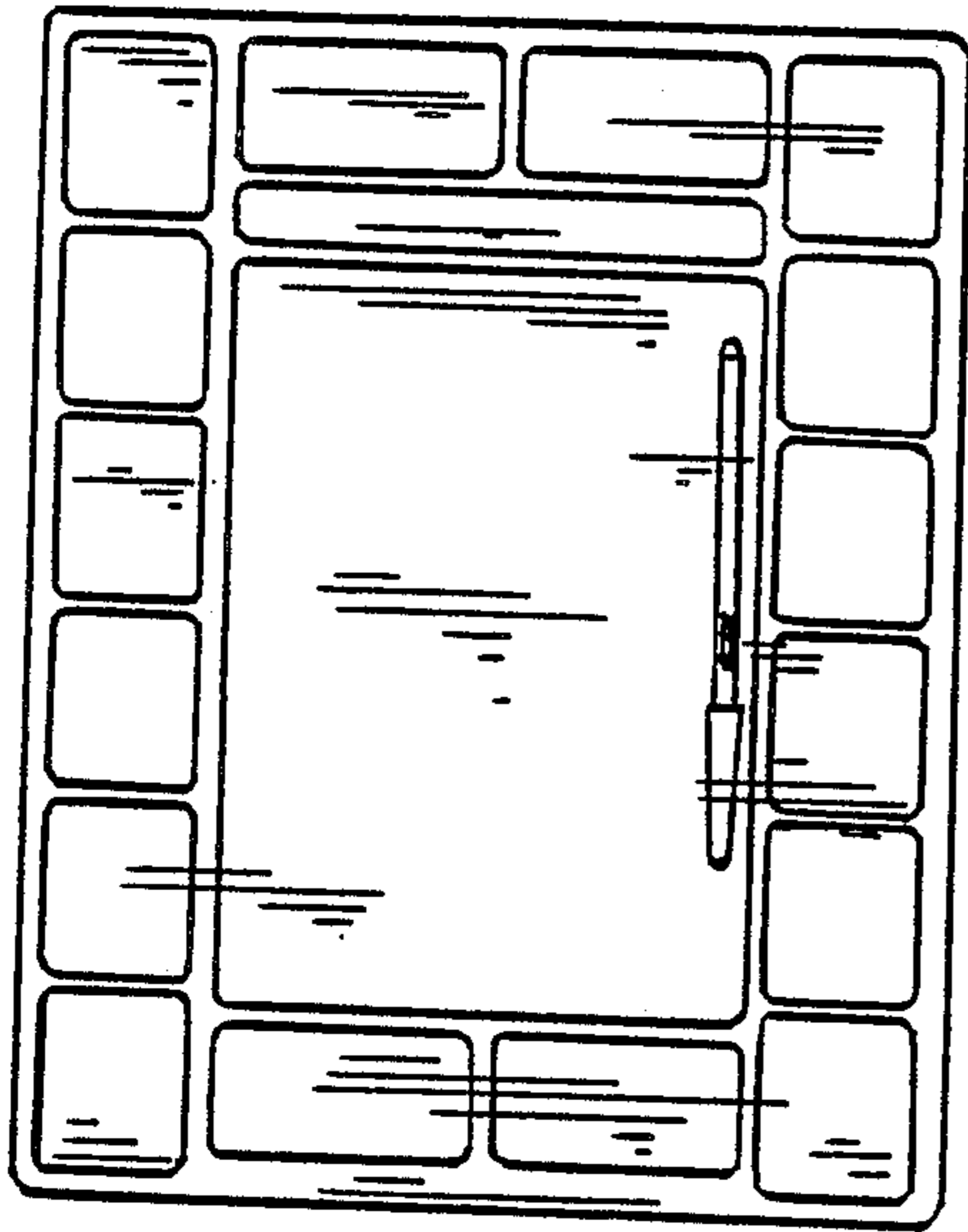


FIG. 2

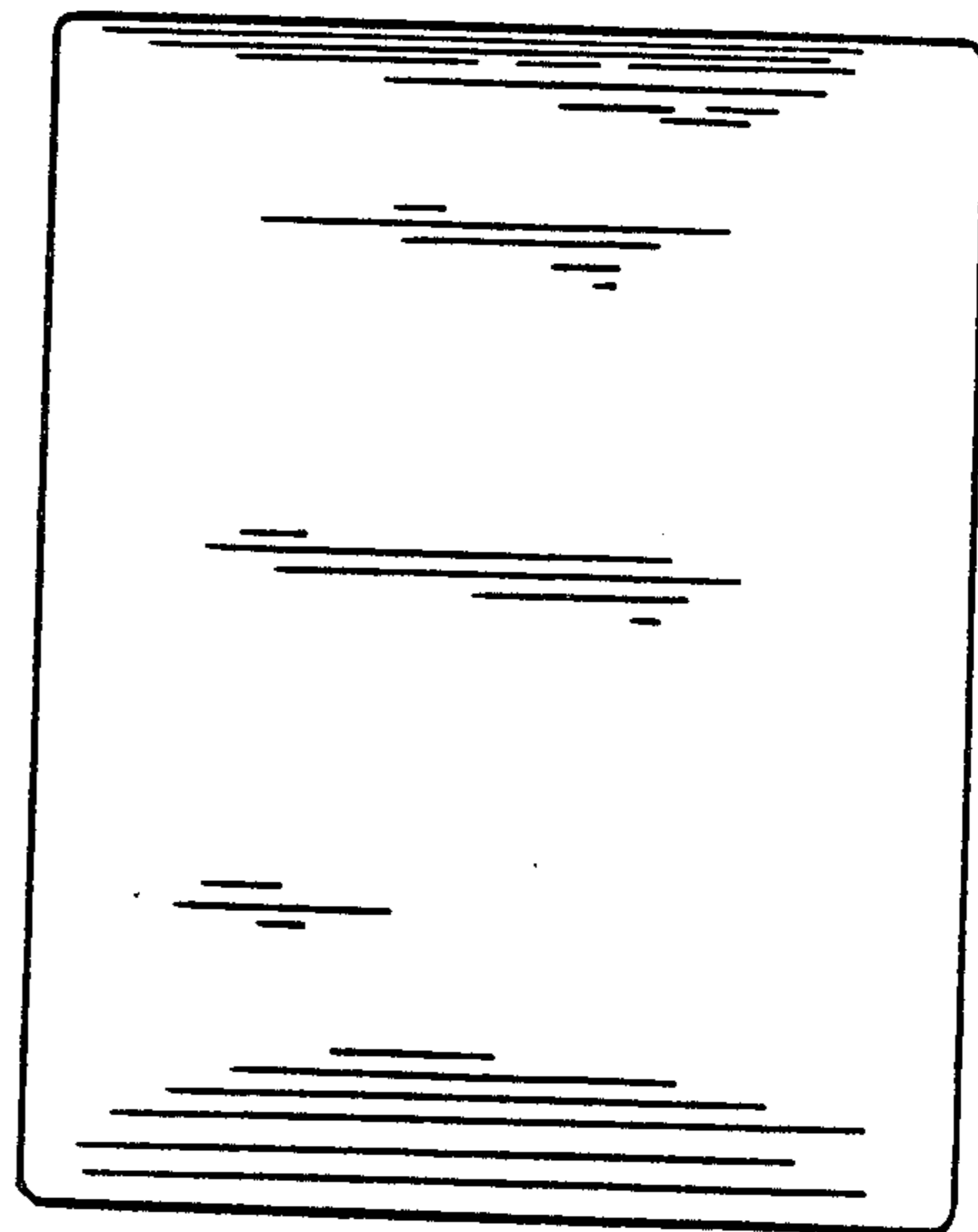


FIG. 3

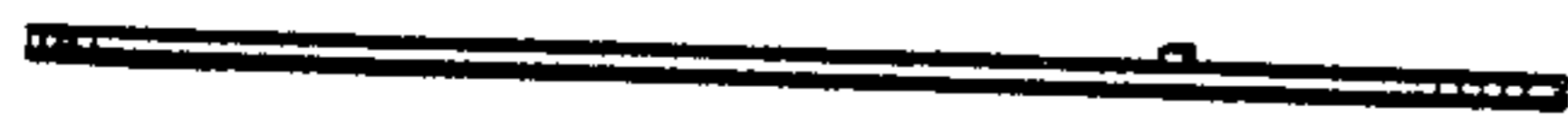


FIG. 4



FIG. 5

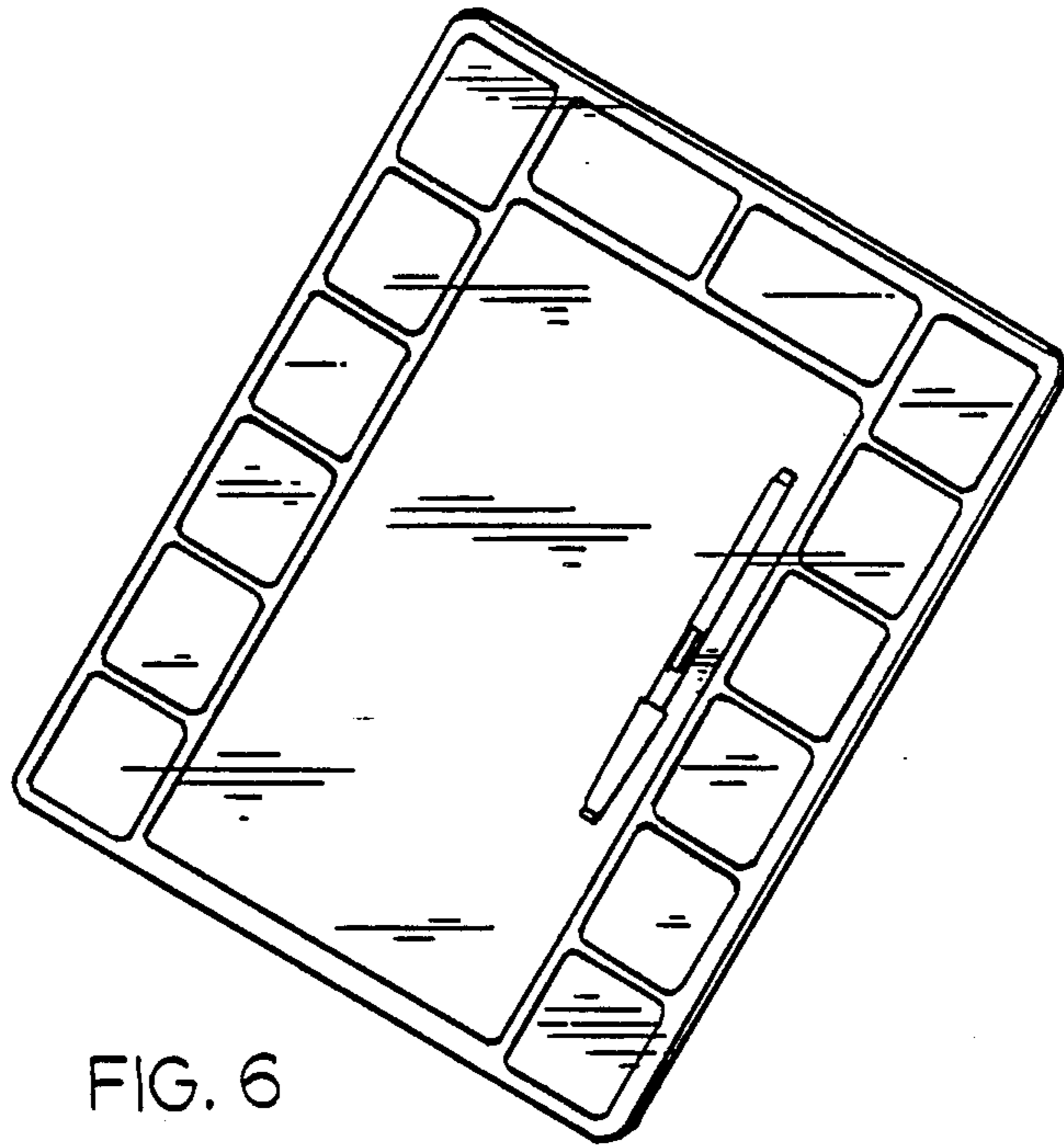


FIG. 6

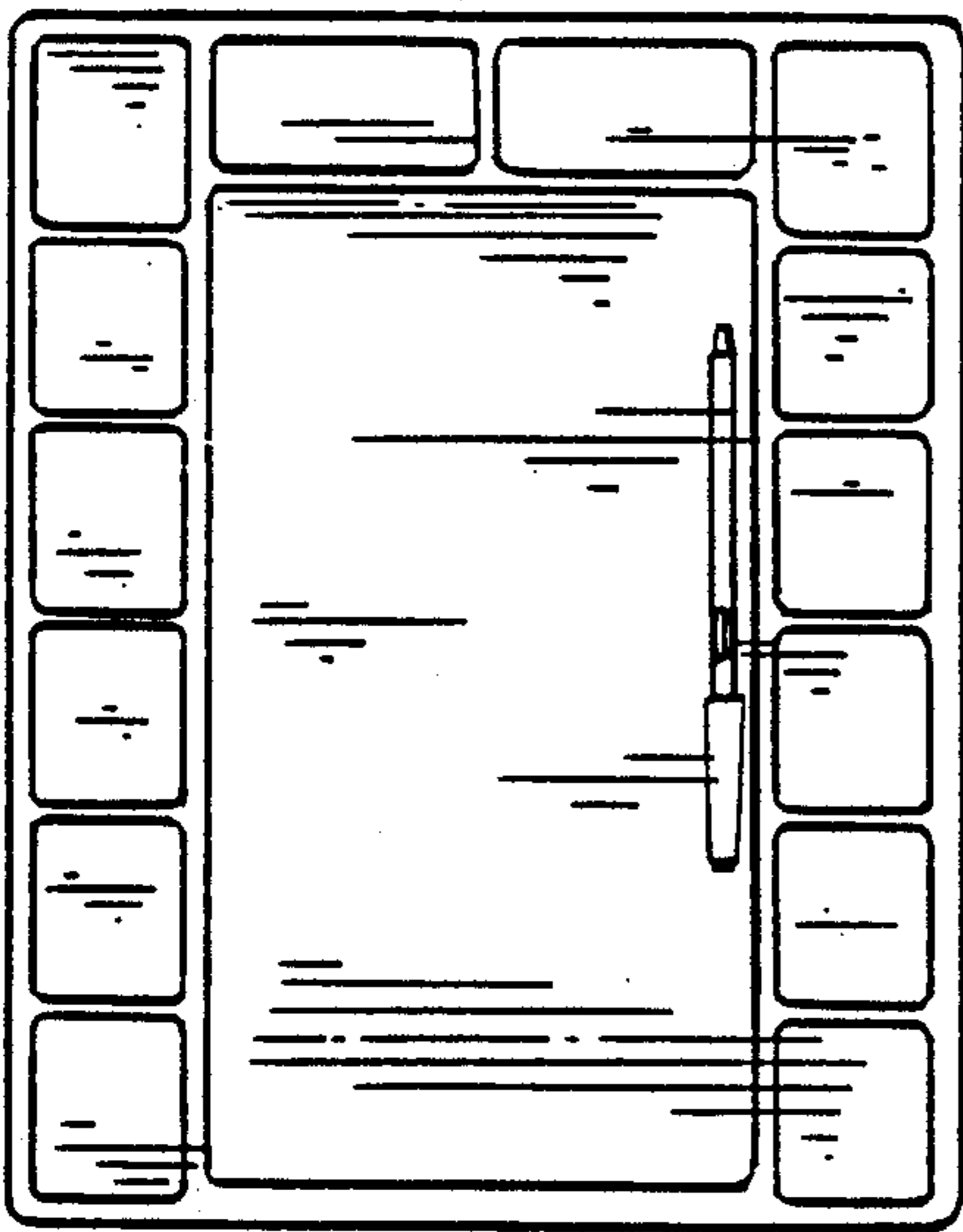


FIG. 7

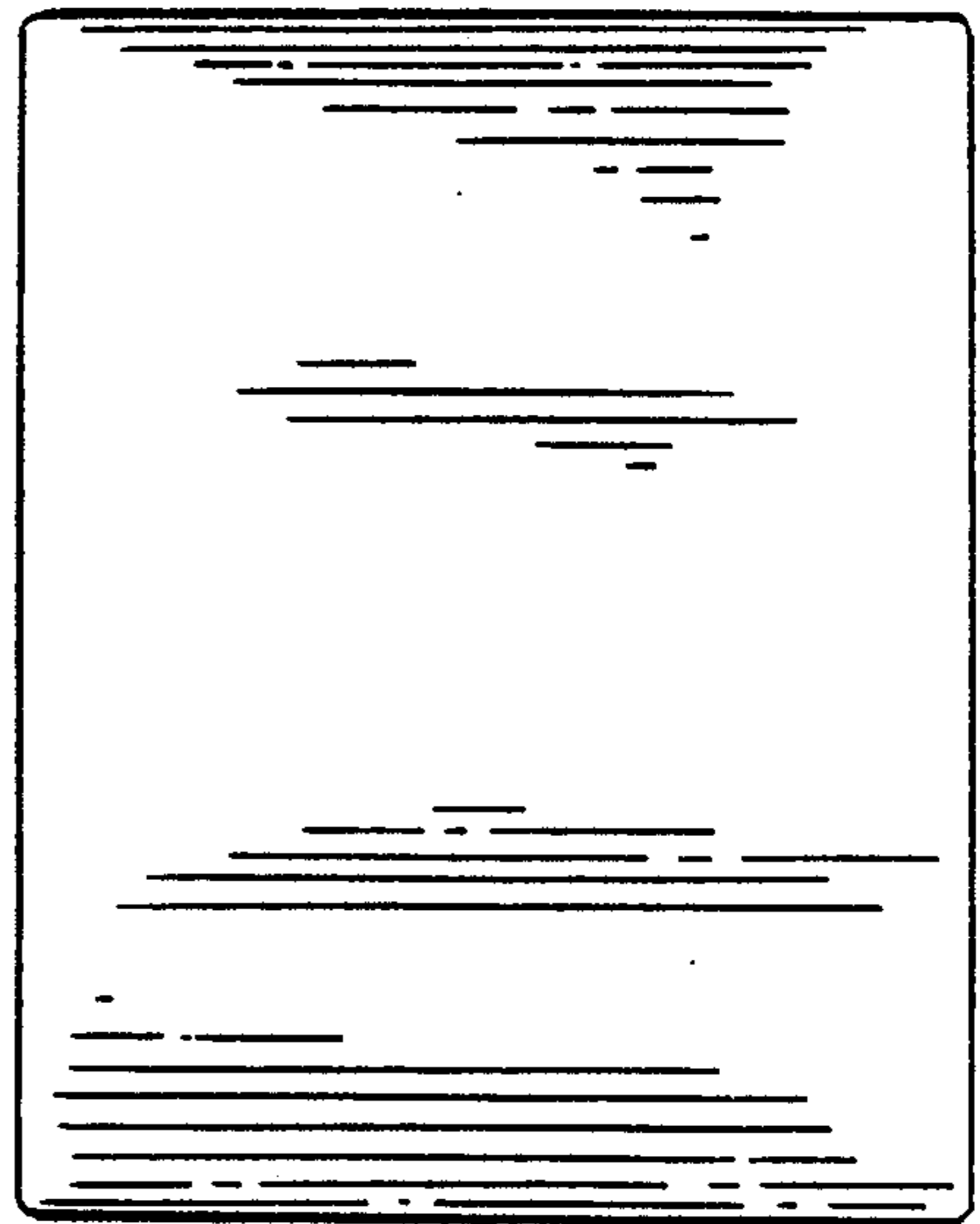


FIG. 8

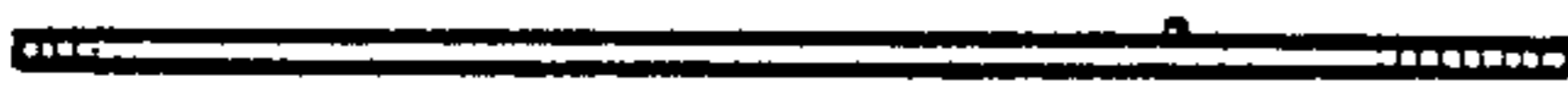


FIG. 9



FIG. 10

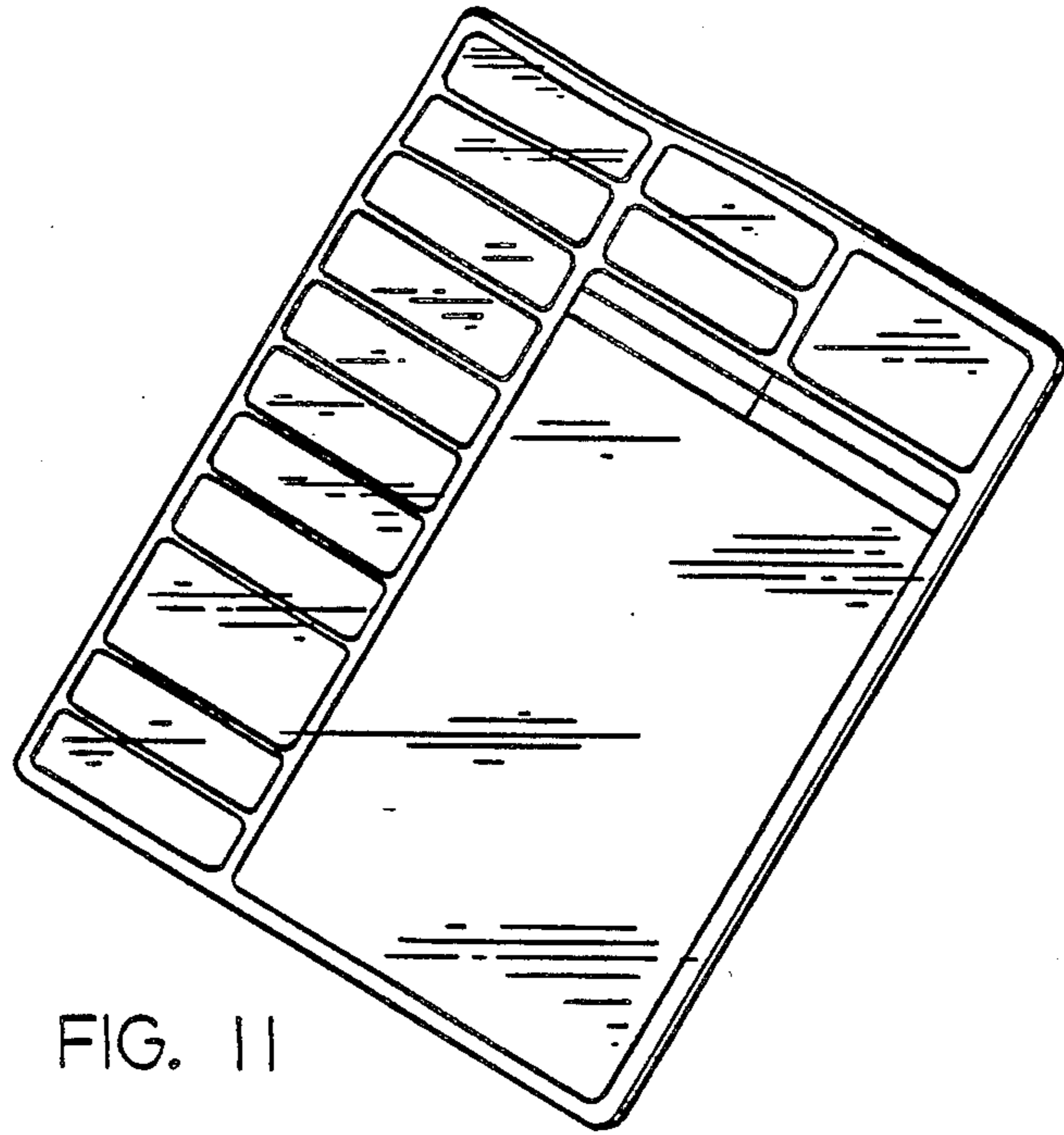


FIG. 11

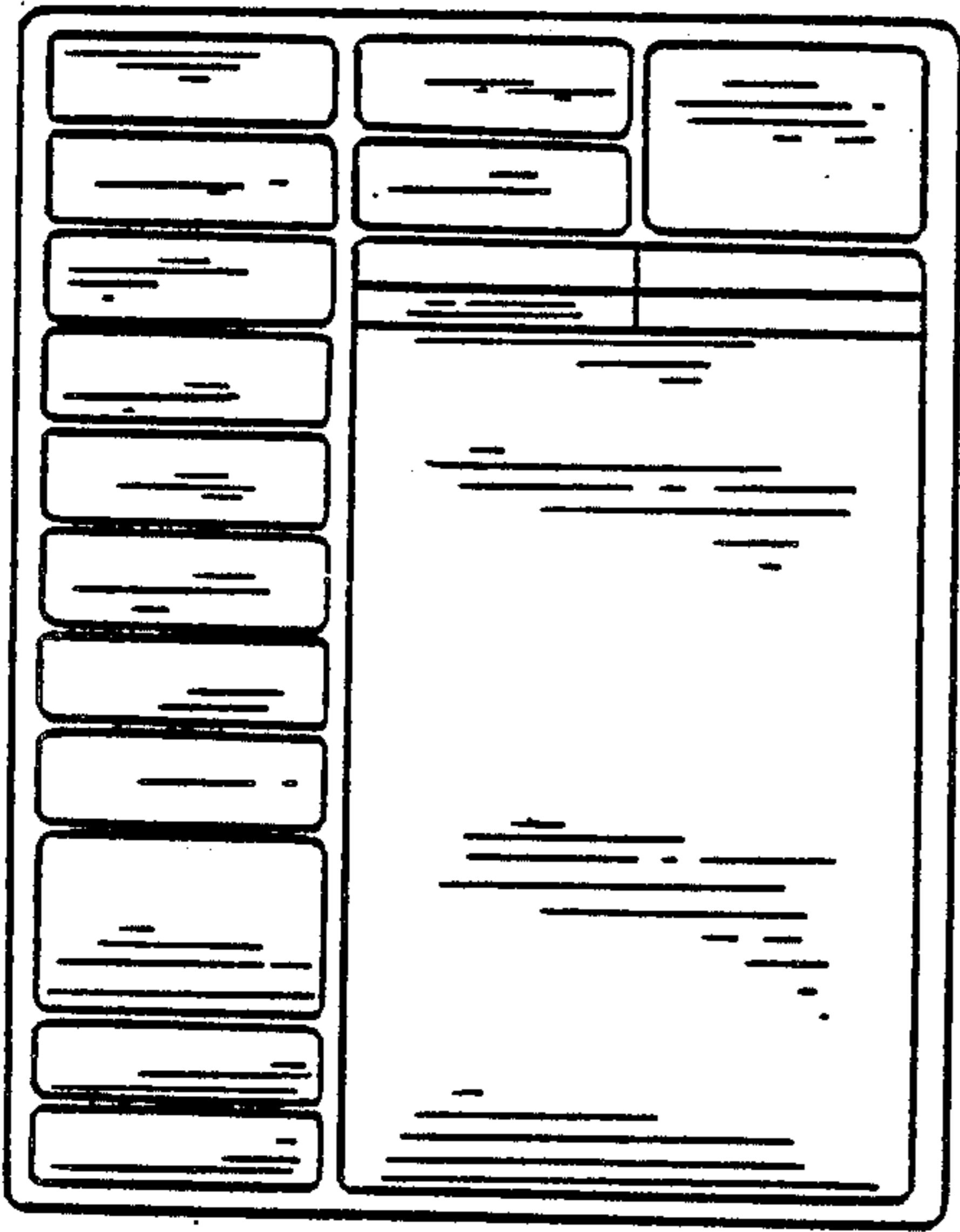


FIG. 12

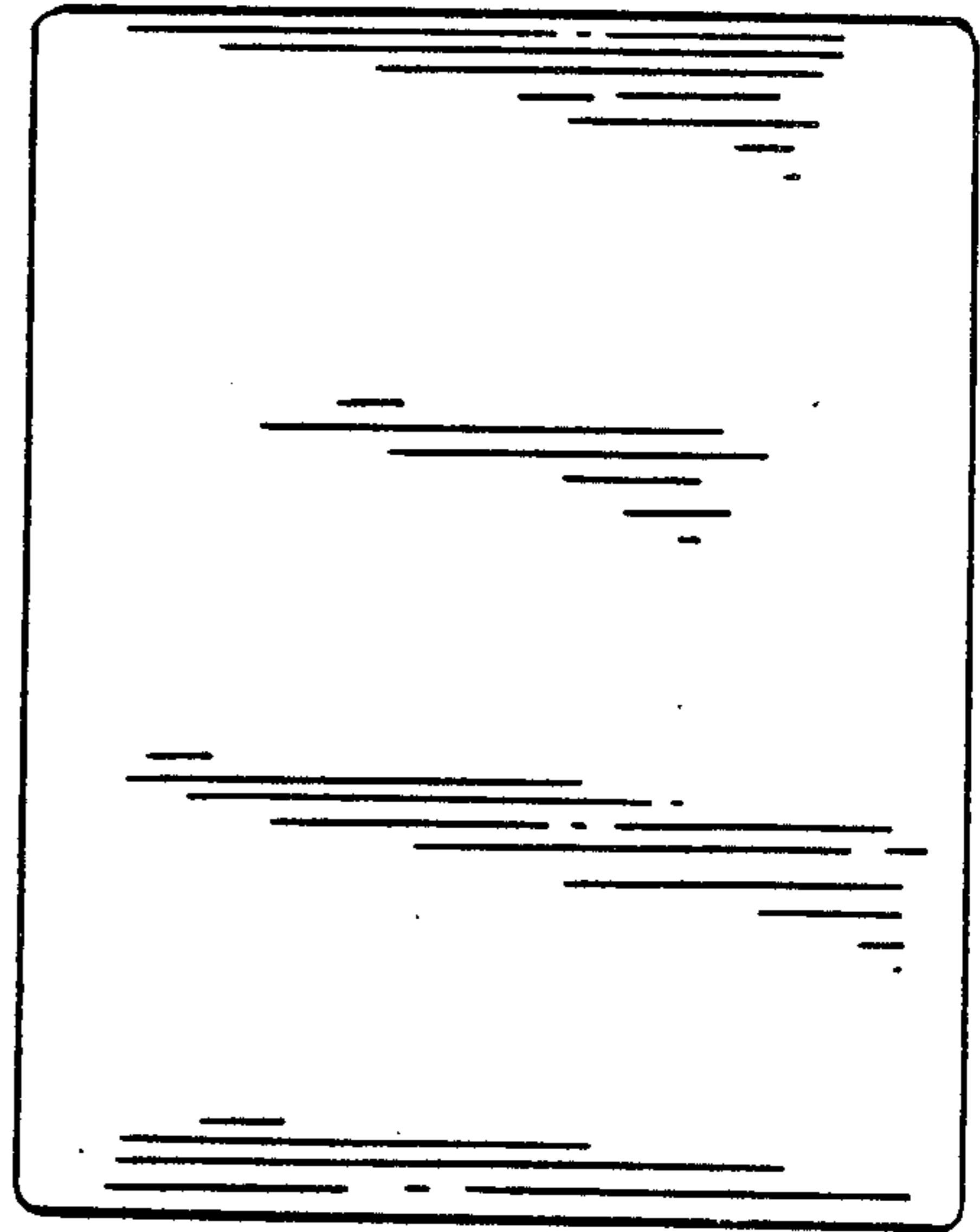


FIG. 13

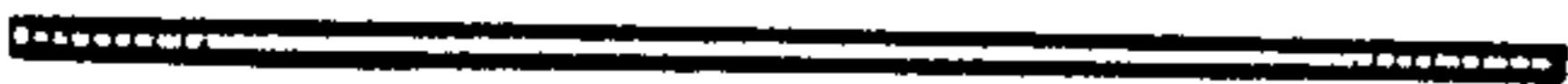


FIG. 14



FIG. 15

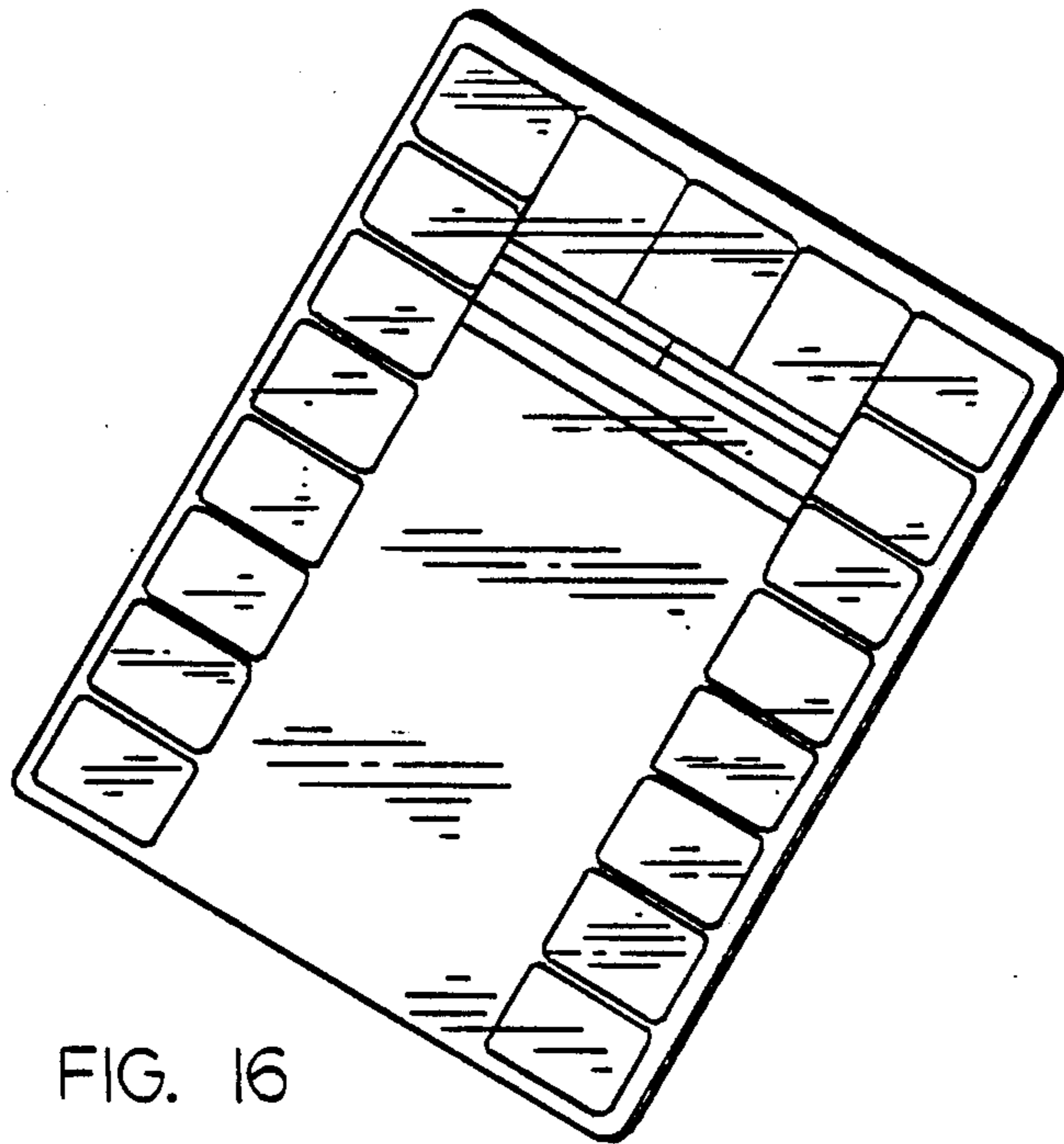


FIG. 16

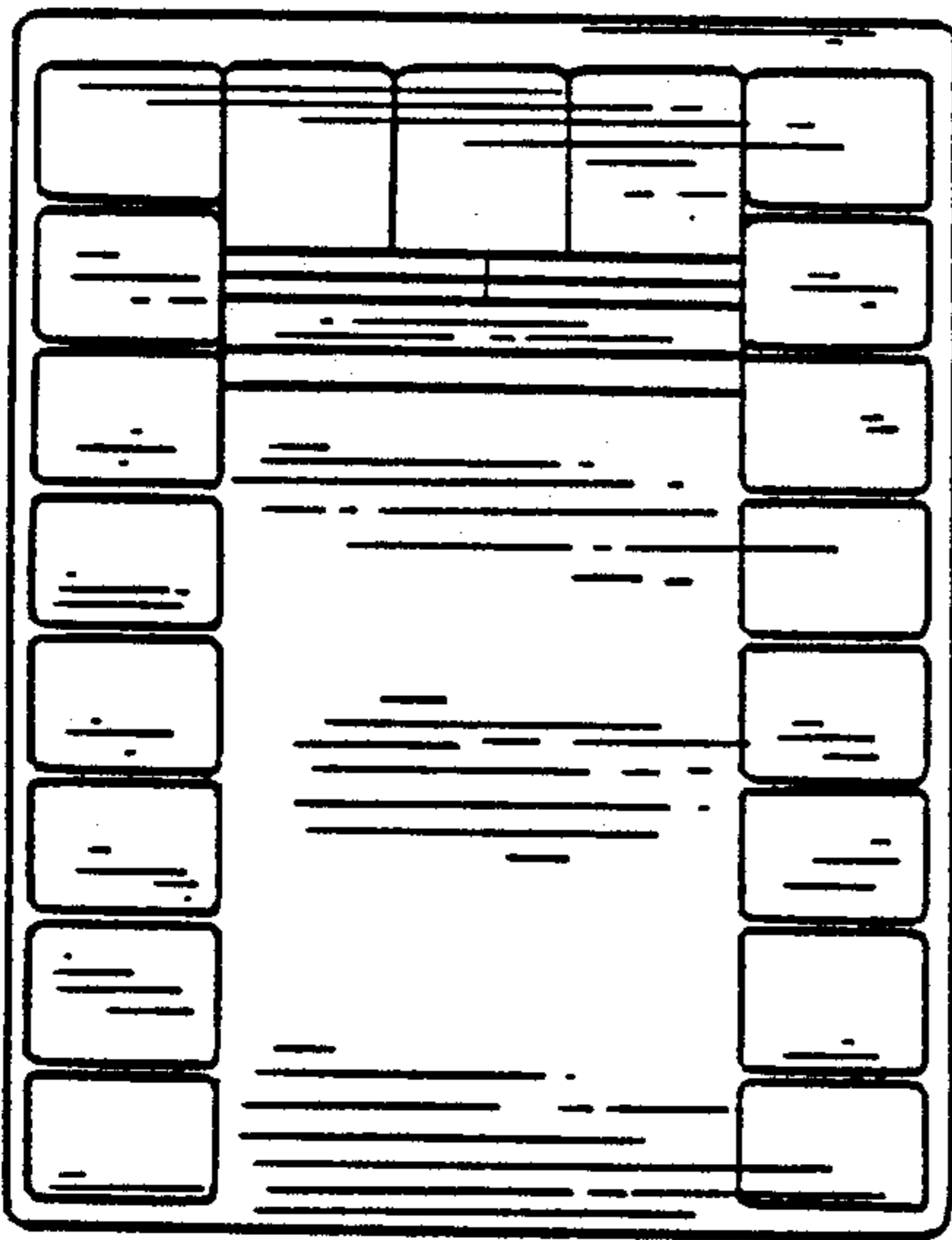


FIG. 17

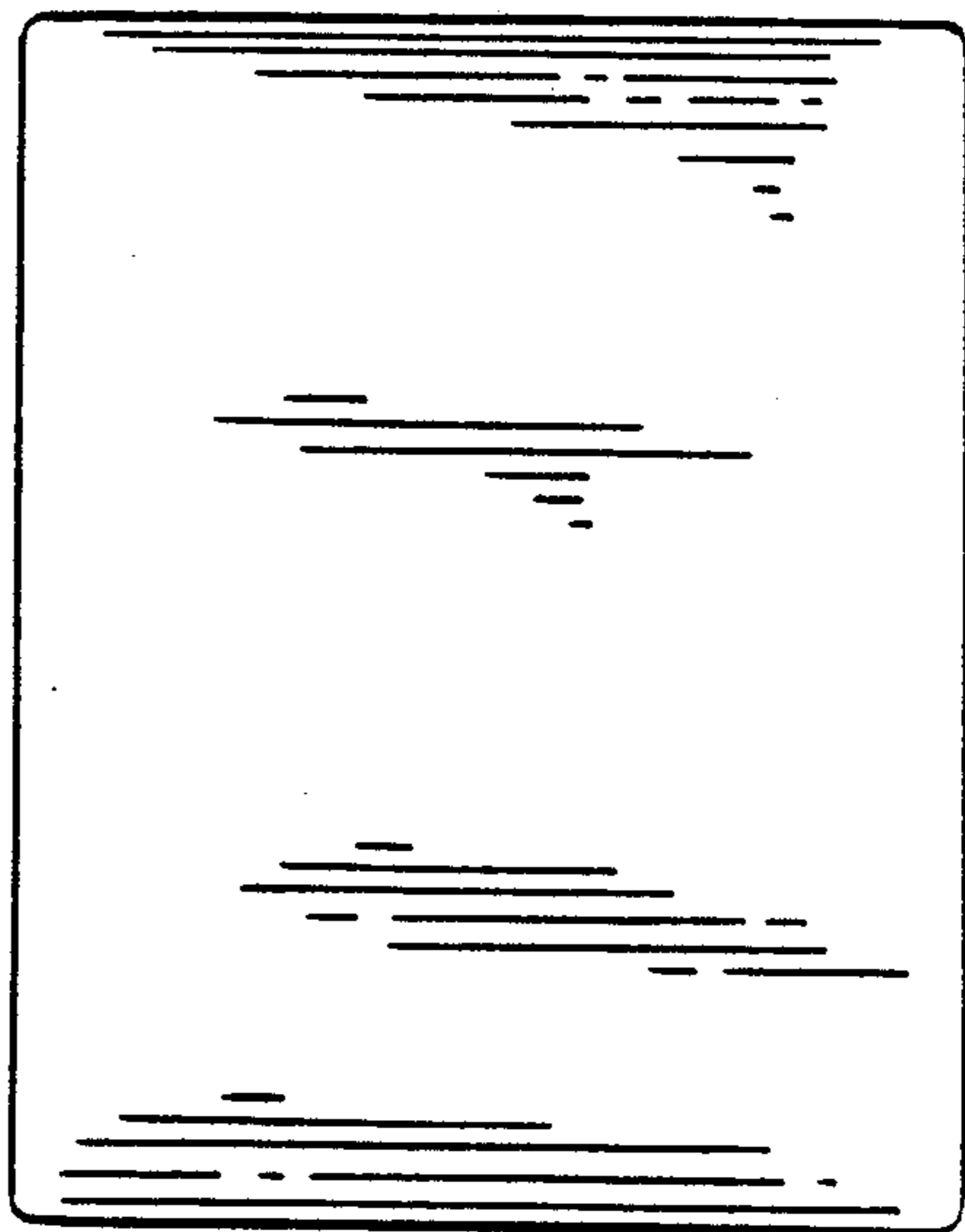


FIG. 18

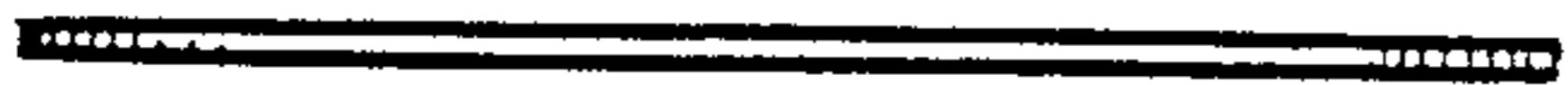


FIG. 19



FIG. 20

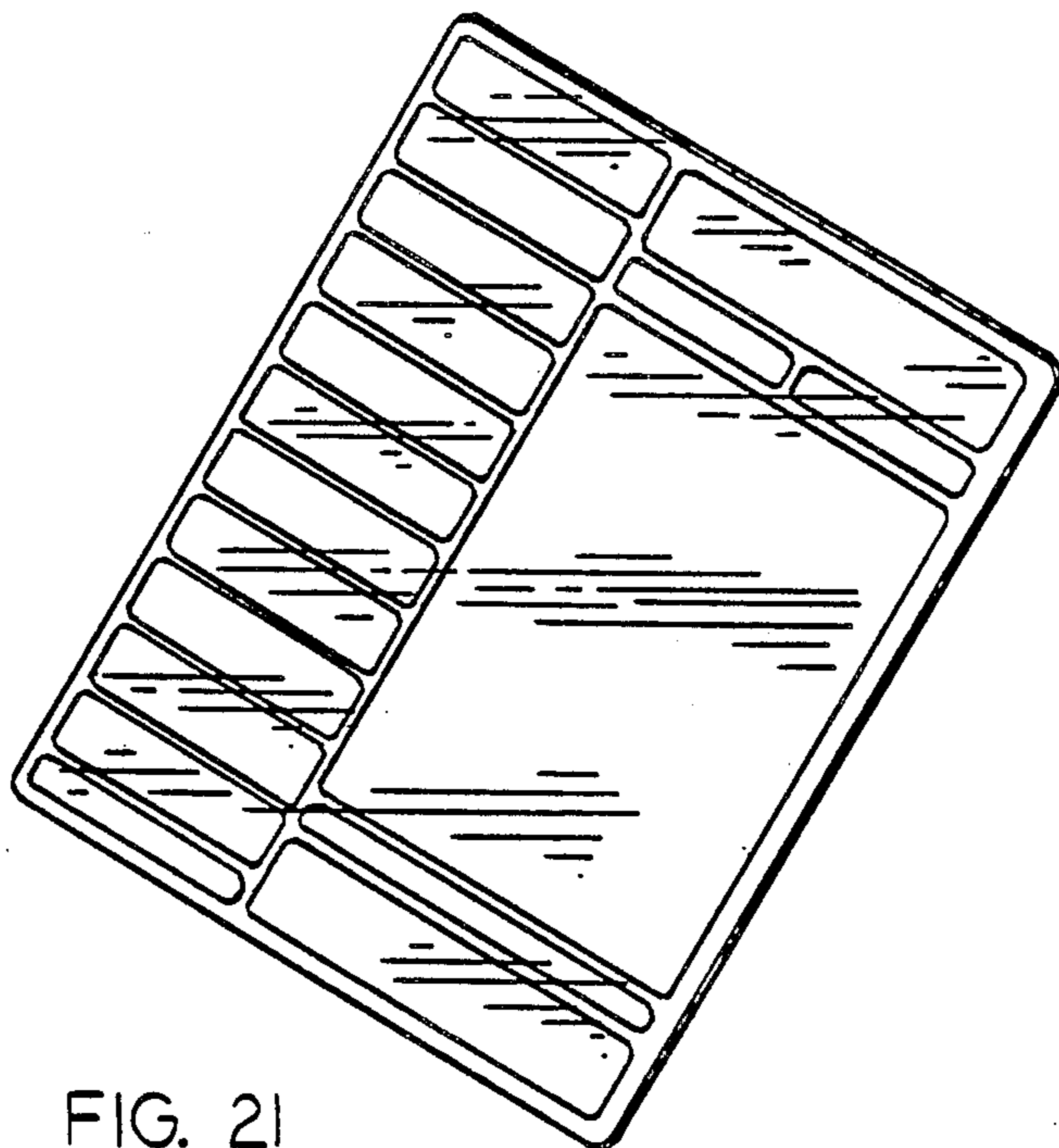


FIG. 21

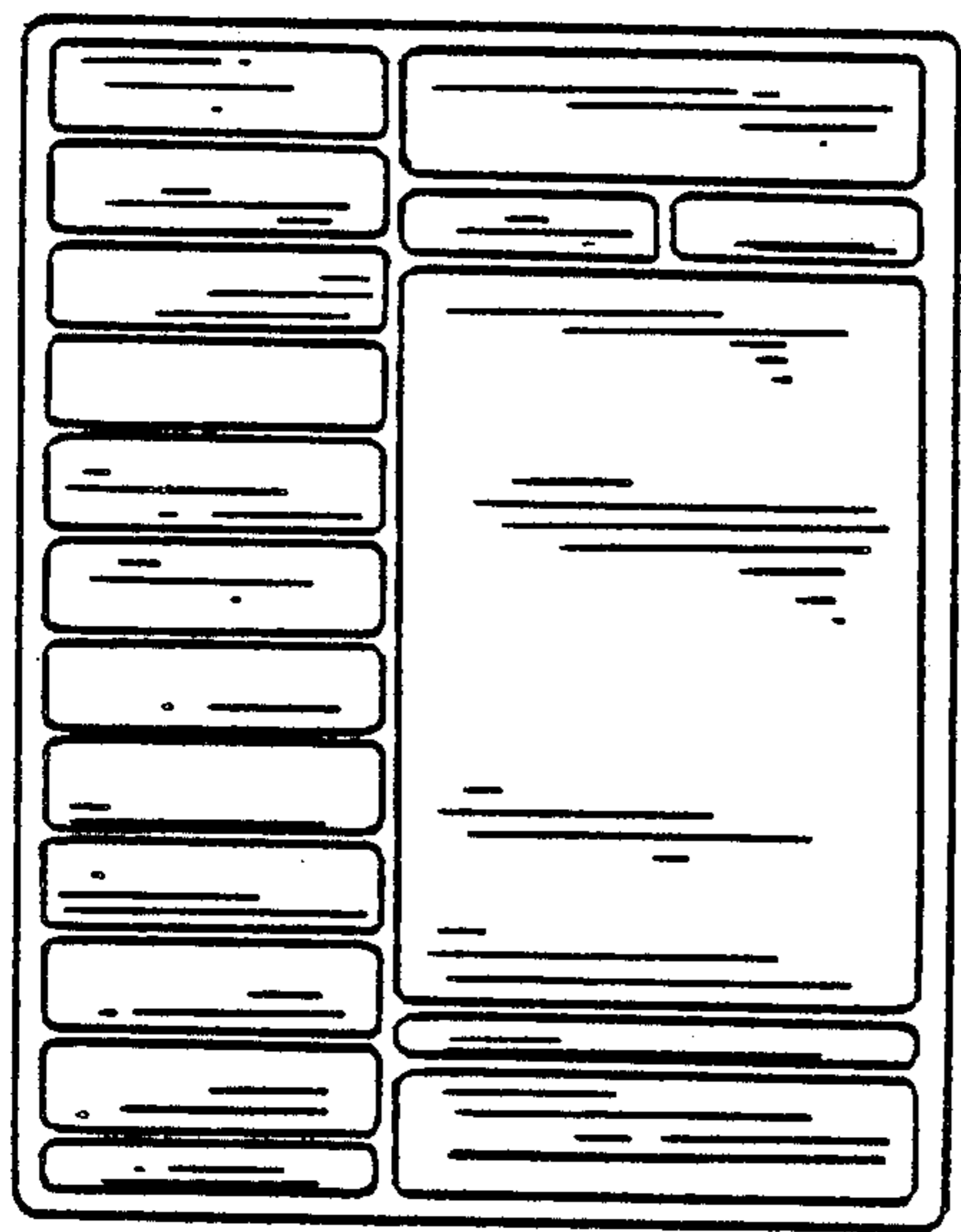


FIG. 22

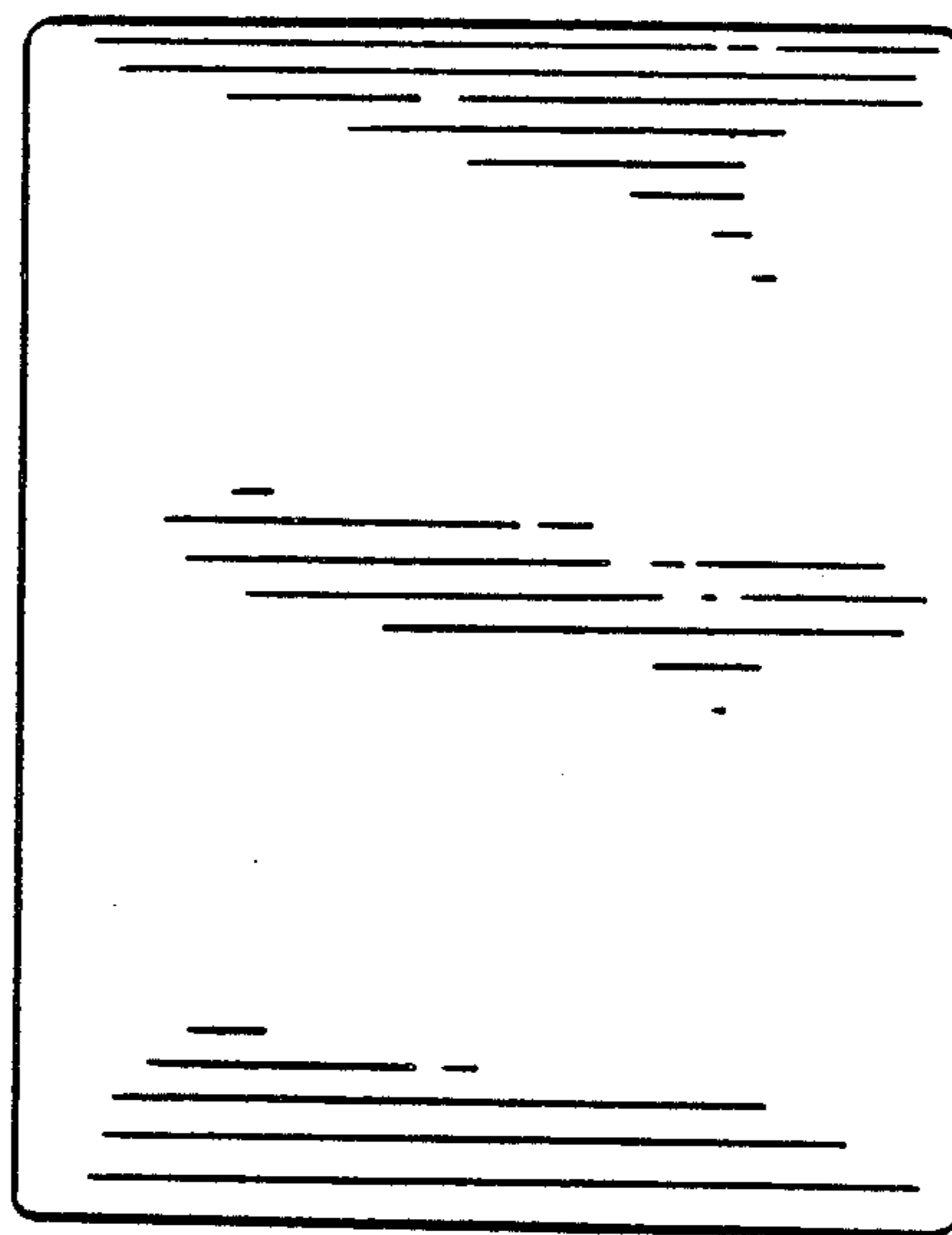


FIG. 23



FIG. 24

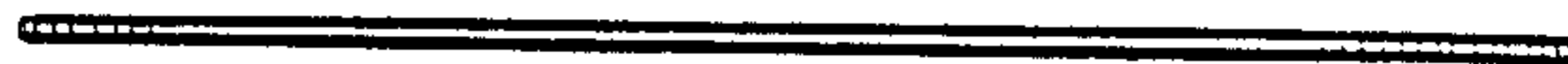


FIG. 25