

[54] COMBINED FASTENER AND DOCUMENT MANIPULATOR

[76] Inventor: Glenn A. Erickson, 25101 Rivendell, El Toro, Calif. 92630

[**] Term: 14 Years

[21] Appl. No.: 722,137

[22] Filed: Apr. 10, 1985

[52] U.S. Cl. D19/32; D8/382; D8/390

[58] Field of Search D19/32, 20, 26; 402/15-18, 61; D8/382, 388, 390, 366

[56] References Cited

U.S. PATENT DOCUMENTS

1,161,619 11/1915 Cook 402/15
4,084,911 4/1978 De Witt 402/15

FOREIGN PATENT DOCUMENTS

134670 6/1919 Fed. Rep. of Germany ... 402/16 X
348953 11/1960 Switzerland 402/15 X
173707 1/1922 United Kingdom 402/15 X
2035215 6/1980 United Kingdom 402/7

Primary Examiner—Winifred E. Herrmann
Attorney, Agent, or Firm—Herb Boswell

[57] CLAIM

The ornamental design for a combined fastener and document manipulator, substantially as shown and described.

DESCRIPTION

FIG. 1 is an exploded perspective view of a combined fastener and document manipulator showing the top, front, and one side of my new design; FIG. 2 is an exploded perspective view showing the bottom, rear, and opposite side thereof; and FIG. 3 is a perspective view thereof in an assembled condition.

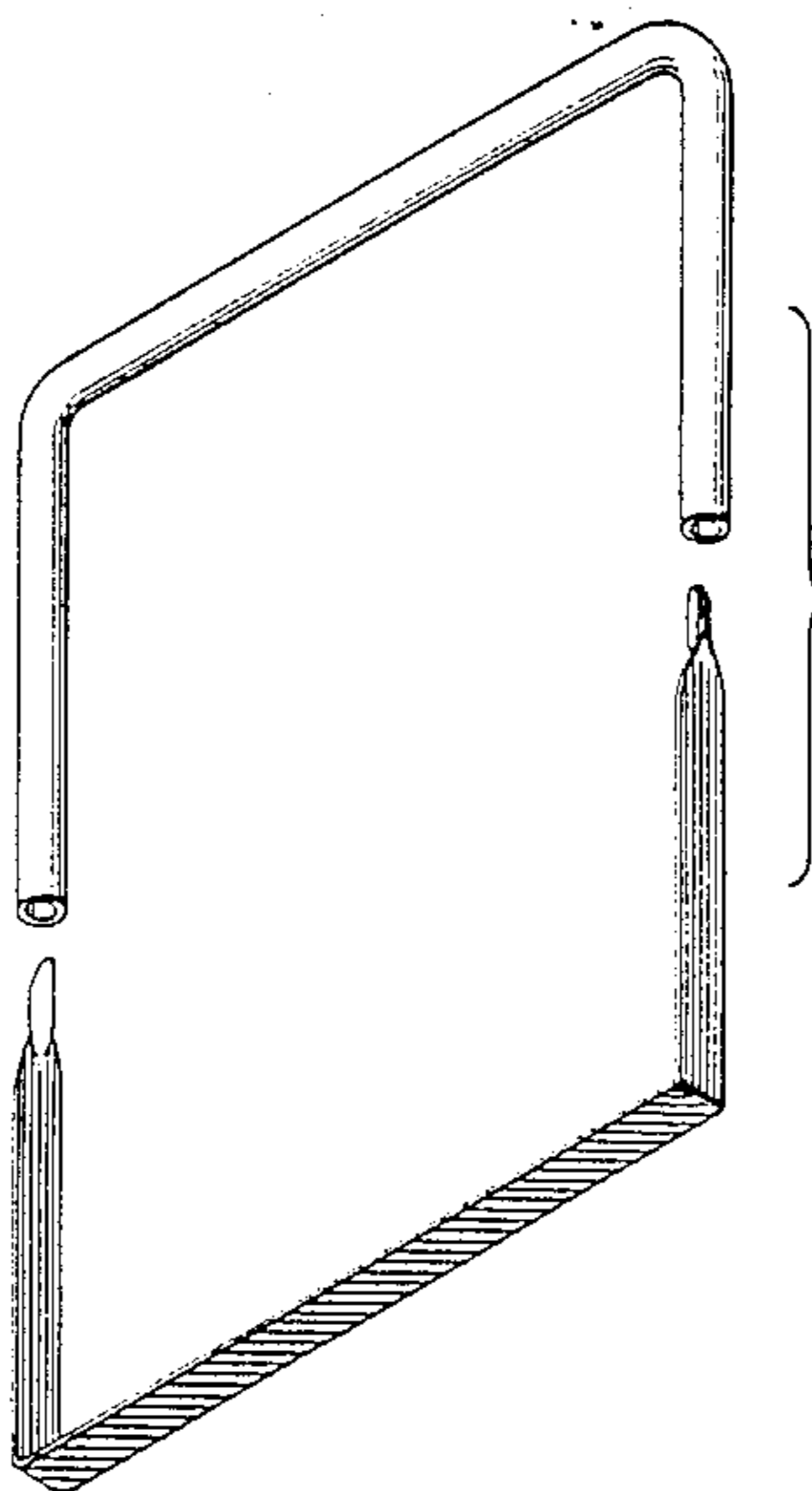
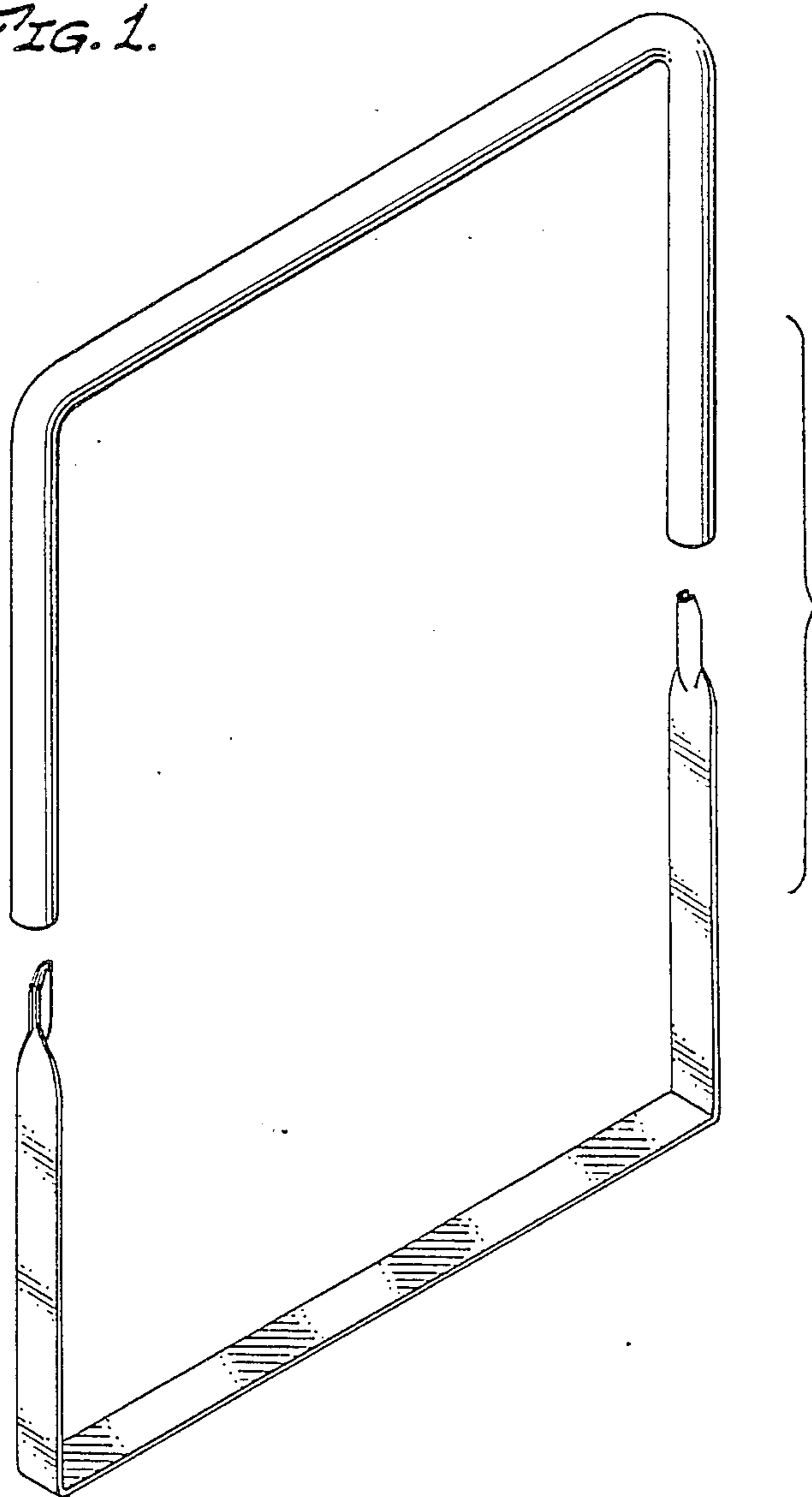


FIG. 1.



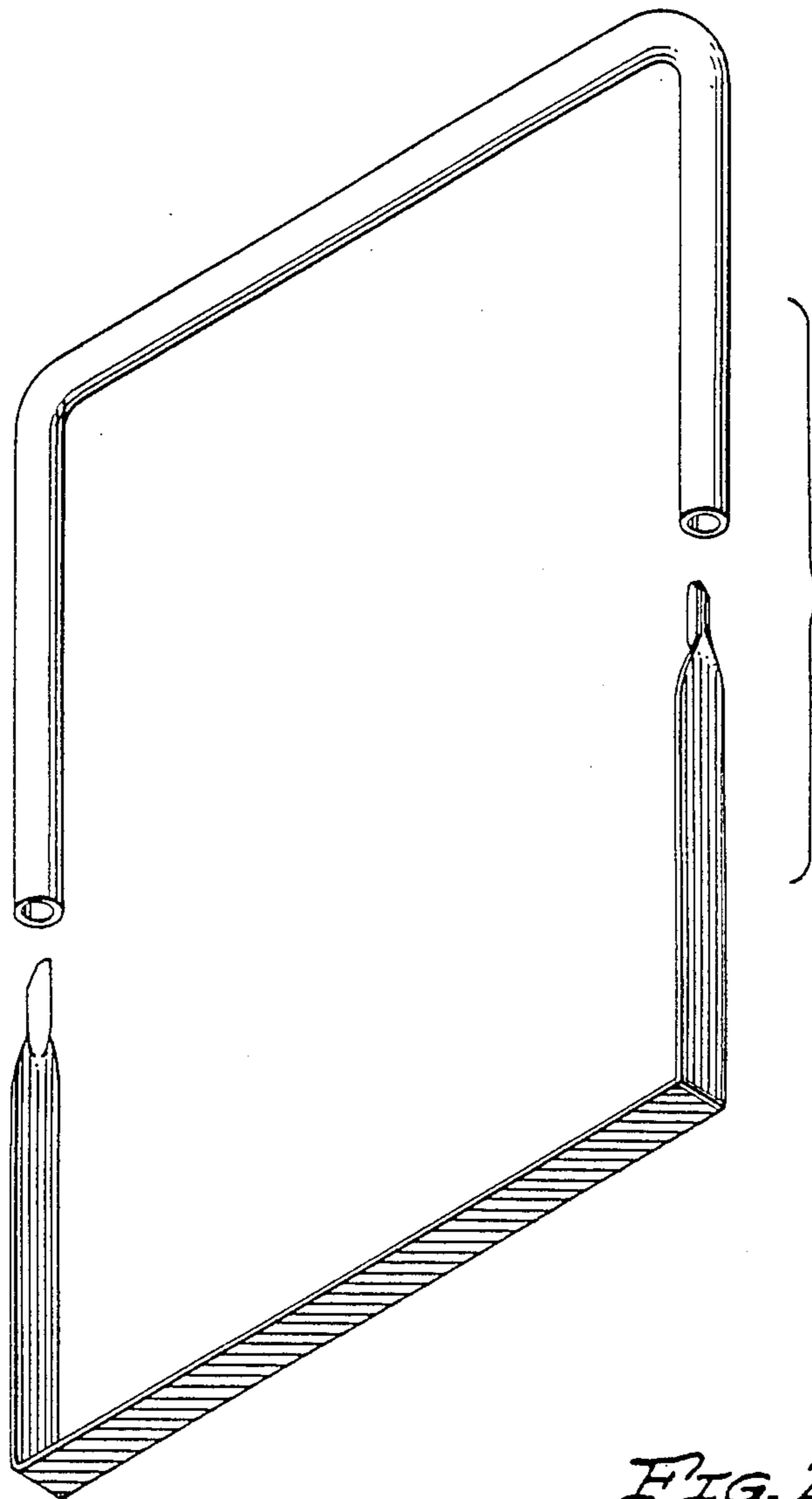


FIG. 2.

FIG. 3.

