

[54] ARTICULATED LOADER VEHICLE BODY

3,963,131 6/1976 Dimmer 180/89.12
4,247,242 1/1981 Goertzen 414/686

[75] Inventors: Thomas M. Sagaser; Oryn B. Wagner,
both of Bismarck, N. Dak.

[73] Assignee: Clark Equipment Company, South
Bend, Ind.

[**] Term: 14 Years

[21] Appl. No.: 770,118

[22] Filed: Aug. 27, 1985

[52] U.S. Cl. D15/33

[58] Field of Search D15/10, 22-26,
D15/28, 30, 33; 180/89.1, 89.12, 89.19;
296/190, 192, 194; 414/685, 686, 687; 37/DIG.

1

[56] References Cited

U.S. PATENT DOCUMENTS

- D. 196,500 10/1963 Shapiro et al. D15/25
- D. 247,814 5/1978 Johnson et al. D15/23
- D. 271,397 11/1983 Kuhn et al. D15/25

OTHER PUBLICATIONS

John Deere Cat., p. 4-544-1, "JD544 Loader".

Primary Examiner—Wallace R. Burke
Assistant Examiner—Ruth Takemoto
Attorney, Agent, or Firm—Kenneth C. Witt

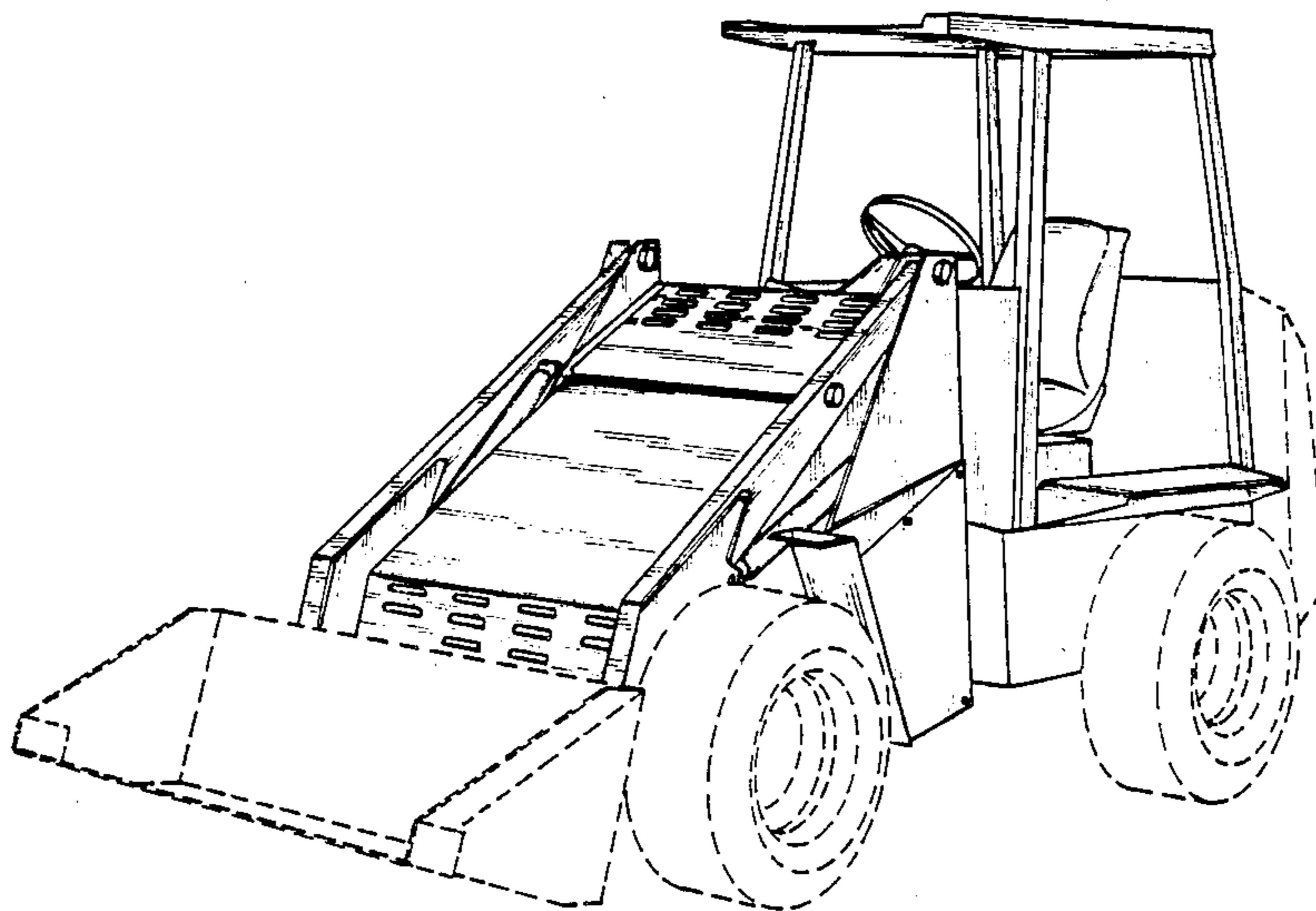
[57] CLAIM

The ornamental design for an articulated loader vehicle body, substantially as shown and described.

DESCRIPTION

FIG. 1 is a right side perspective view of an articulated loader vehicle body showing our new design; FIG. 2 is a front perspective view thereof; FIG. 3 is a left front perspective view thereof; FIG. 4 is a left rear perspective view thereof; FIG. 5 is a rear perspective view thereof; and FIG. 6 is a top perspective view thereof.

The details shown on broken lines in FIG. 1-6 are for illustration purpose only and form no part of the claimed design.



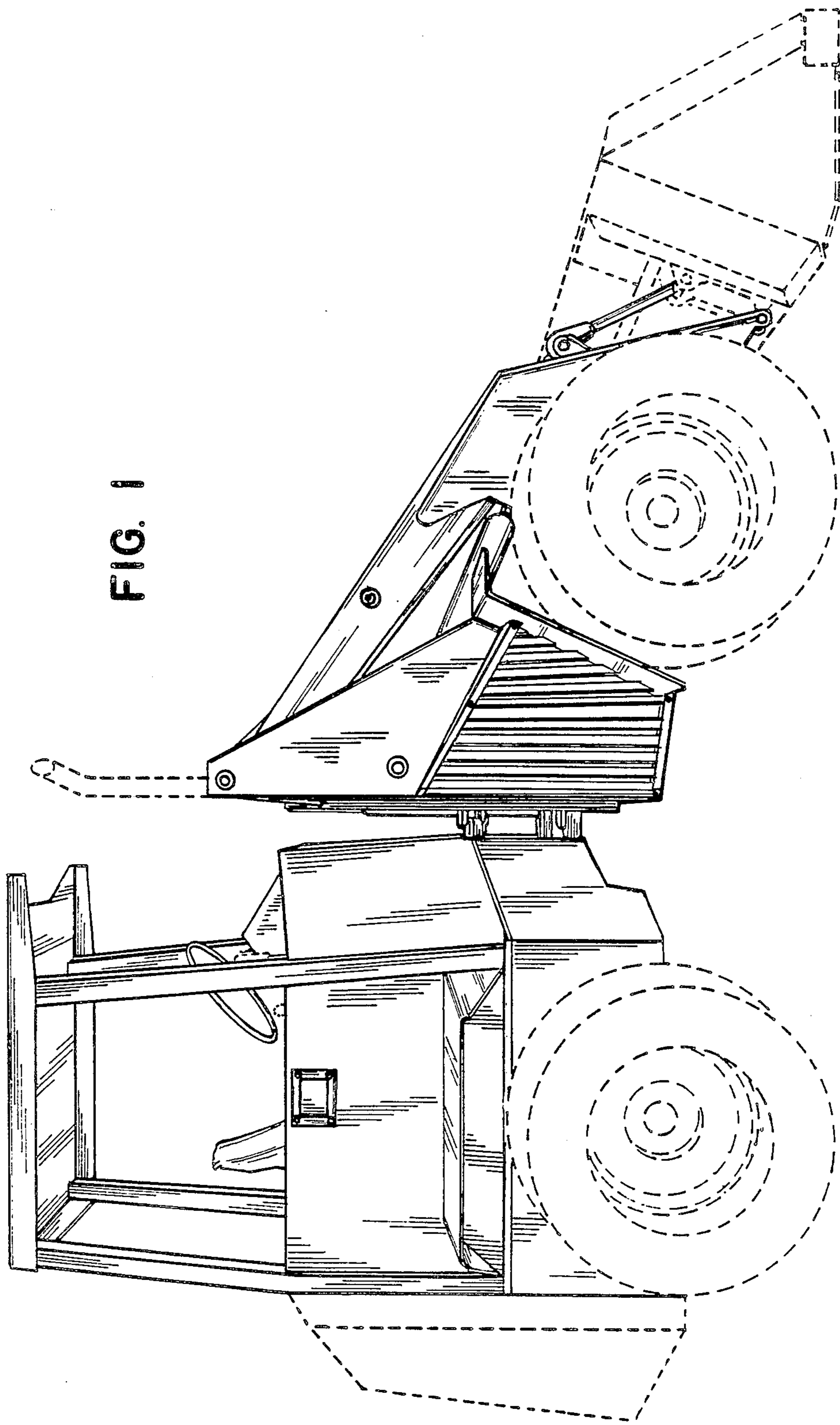
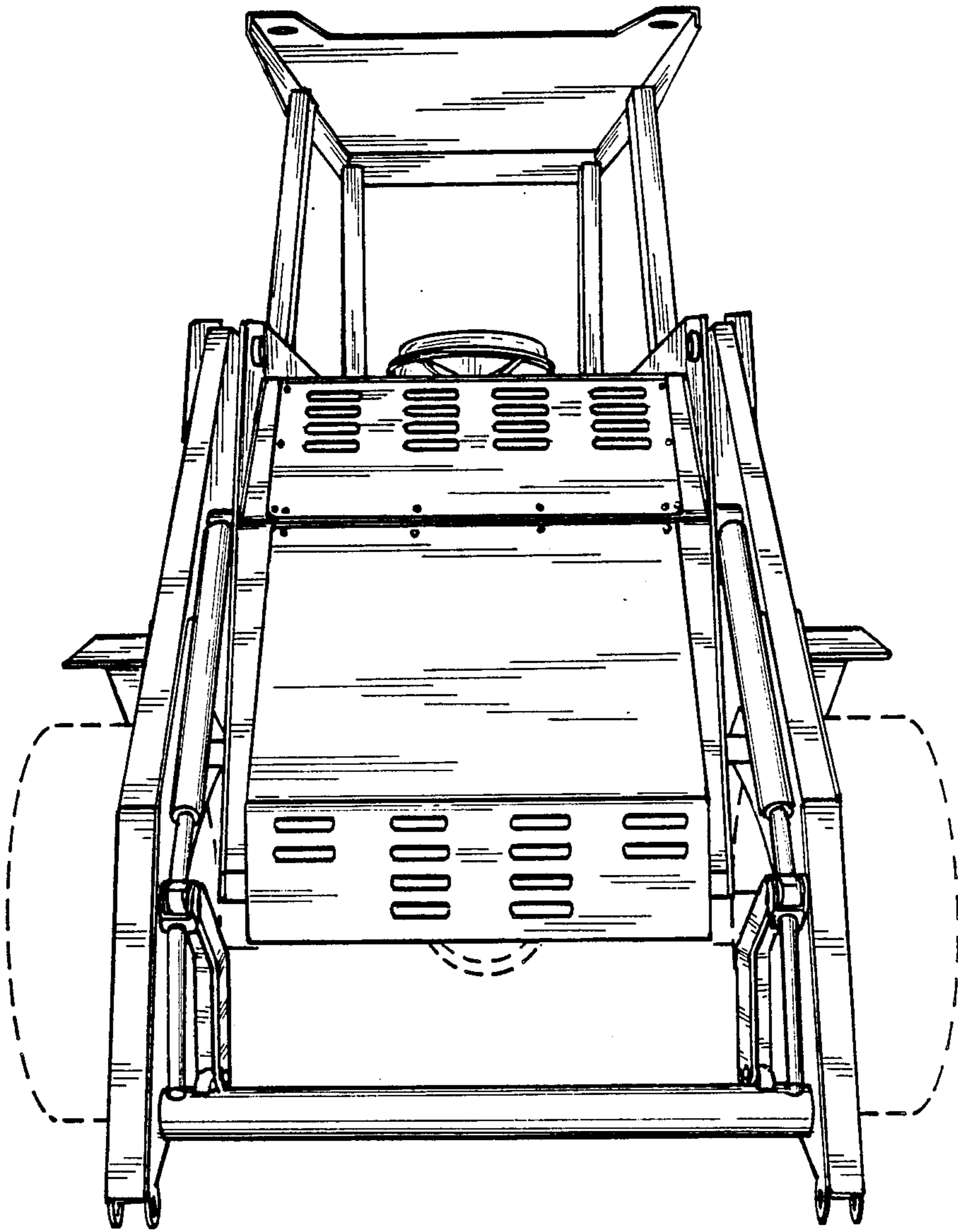


FIG. 2



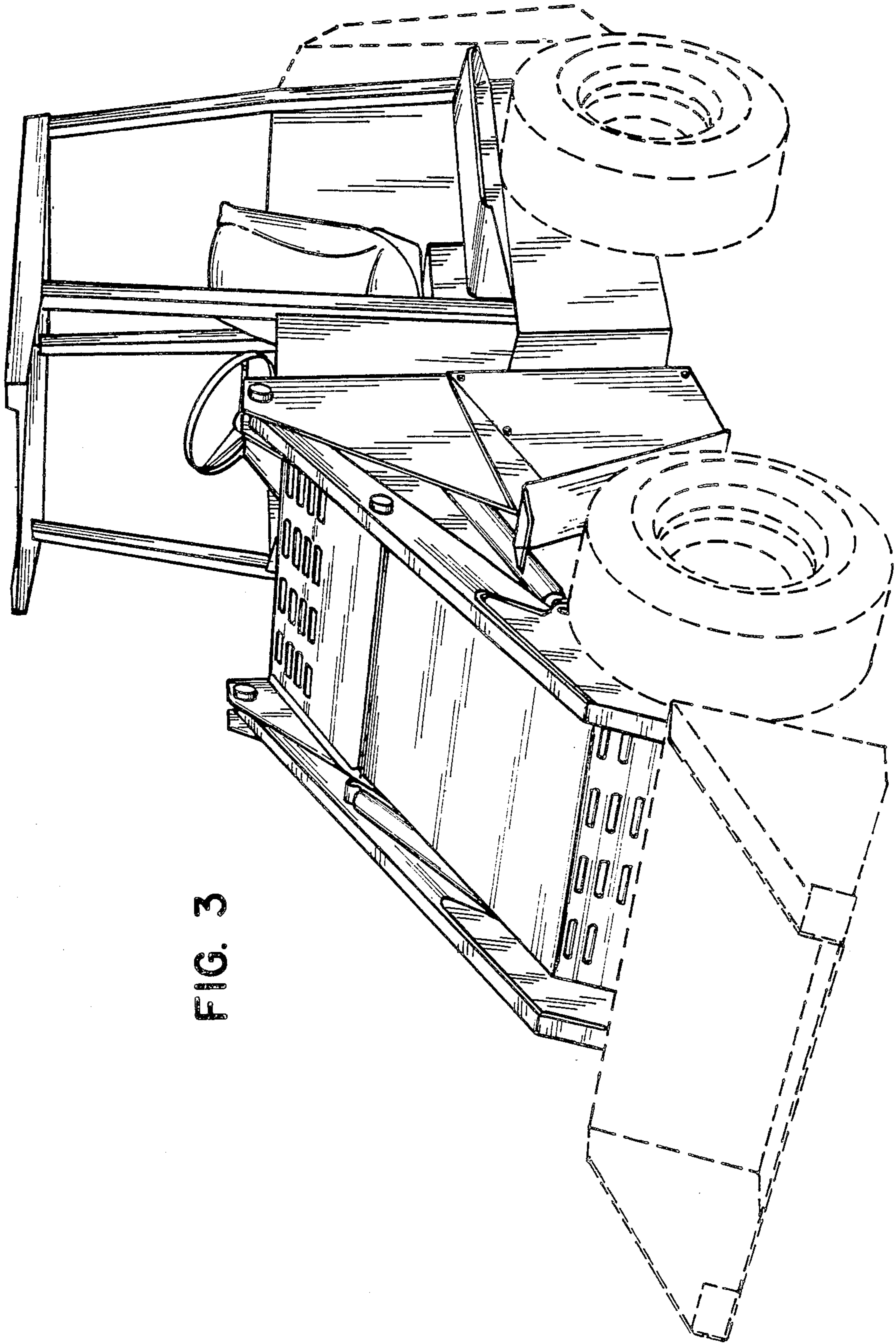


FIG. 3

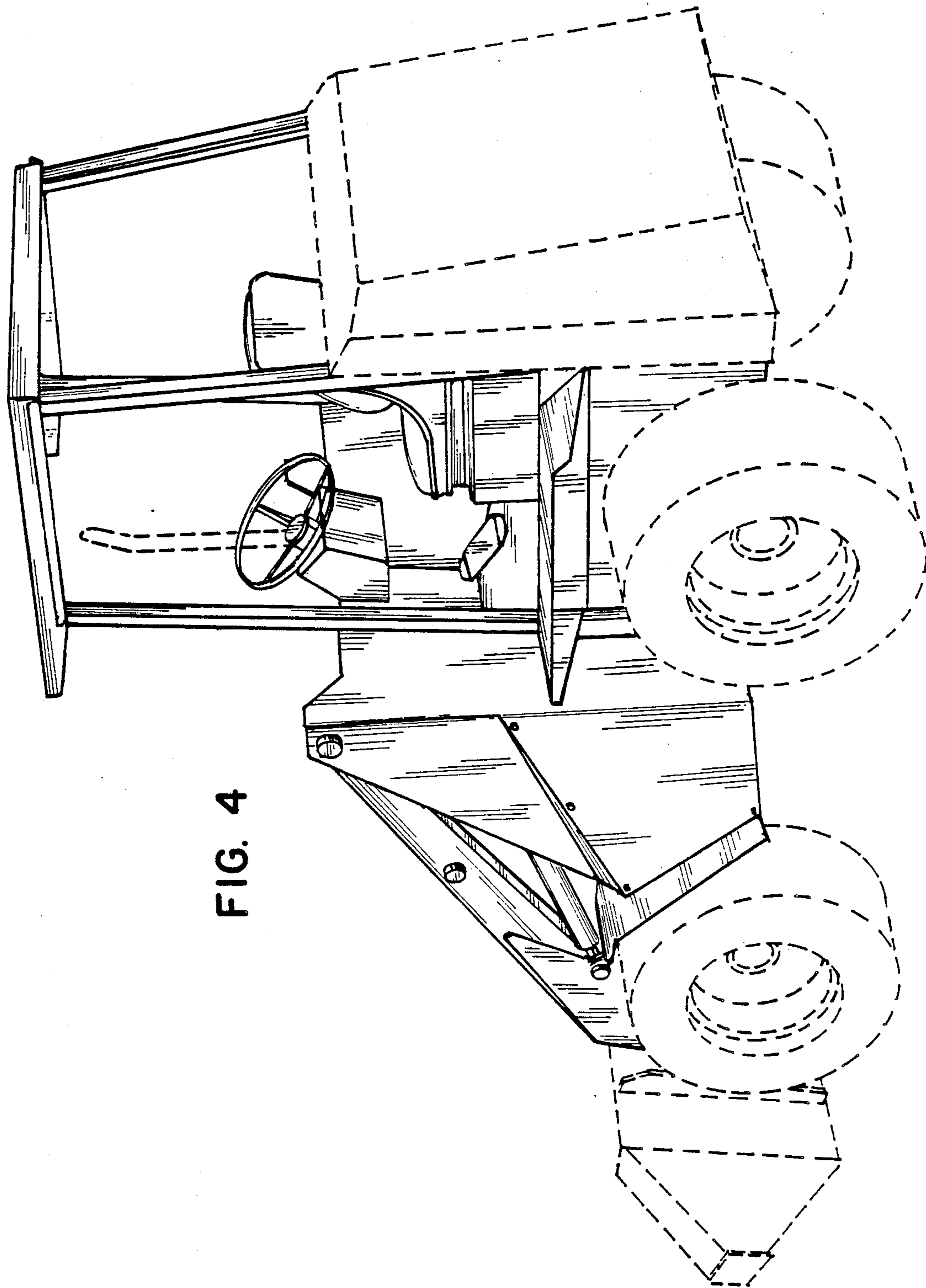


FIG. 4

FIG. 5

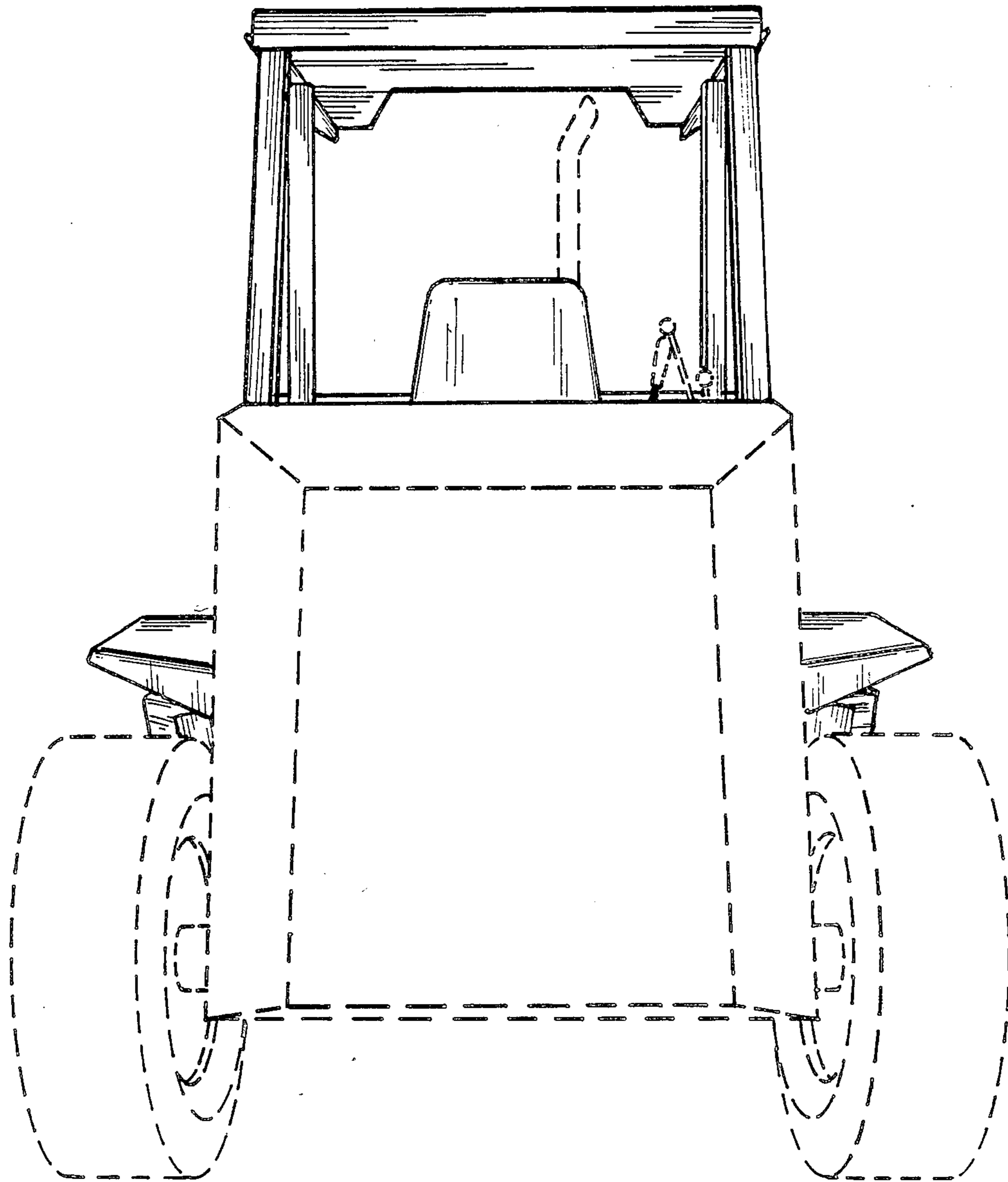


FIG. 6

