

[54] COMPUTER DISPLAY

[75] Inventors: Kenji Yokoi, Matsudo; Yoshiaki Tsuchihashi, Koganei; Kazunori Hashimoto, Tokyo; Koushiro Adachi, Tokorozawa; Kanji Midorikawa, Hatano; Tsuyoshi Nakagawa, Hatano; Kazunari Yamada, Hatano, all of Japan

[73] Assignee: Hitachi, Ltd., Tokyo, Japan

[\*\*] Term: 14 Years

[21] Appl. No.: 813,640

[22] Filed: Dec. 26, 1985

[30] Foreign Application Priority Data

Sep. 4, 1985 [JP] Japan ..... 60-37161  
[52] U.S. Cl. .... D14/113  
[58] Field of Search ..... D14/100, 105, 106, 107, D14/113, 77, 80-84; 340/711, 700, 720; 358/248, 249, 254; 312/7.2

[56] References Cited

U.S. PATENT DOCUMENTS

- D. 282,845 3/1986 Lewis ..... D14/113
- D. 284,967 8/1986 Wiseman ..... D14/113
- D. 285,076 8/1986 Proetta et al. .... D14/113
- D. 286,406 10/1986 Gahan ..... D14/113

Primary Examiner—Susan J. Lucas  
Attorney, Agent, or Firm—Antonelli, Terry & Wands

[57] CLAIM

The ornamental design for a computer display, as shown and described.

DESCRIPTION

FIG. 1 is a top, front and left side perspective view of our new computer display design; FIG. 2 is a front elevational view thereof; FIG. 3 is a right side elevational view thereof; FIG. 4 is a left side elevational view thereof; FIG. 5 is a top plan view thereof; FIG. 6 is a rear elevational view thereof; FIG. 7 is a bottom plan view thereof; and FIG. 8 is a top, rear and right side perspective view thereof, the display housing being rotated with respect to the base.

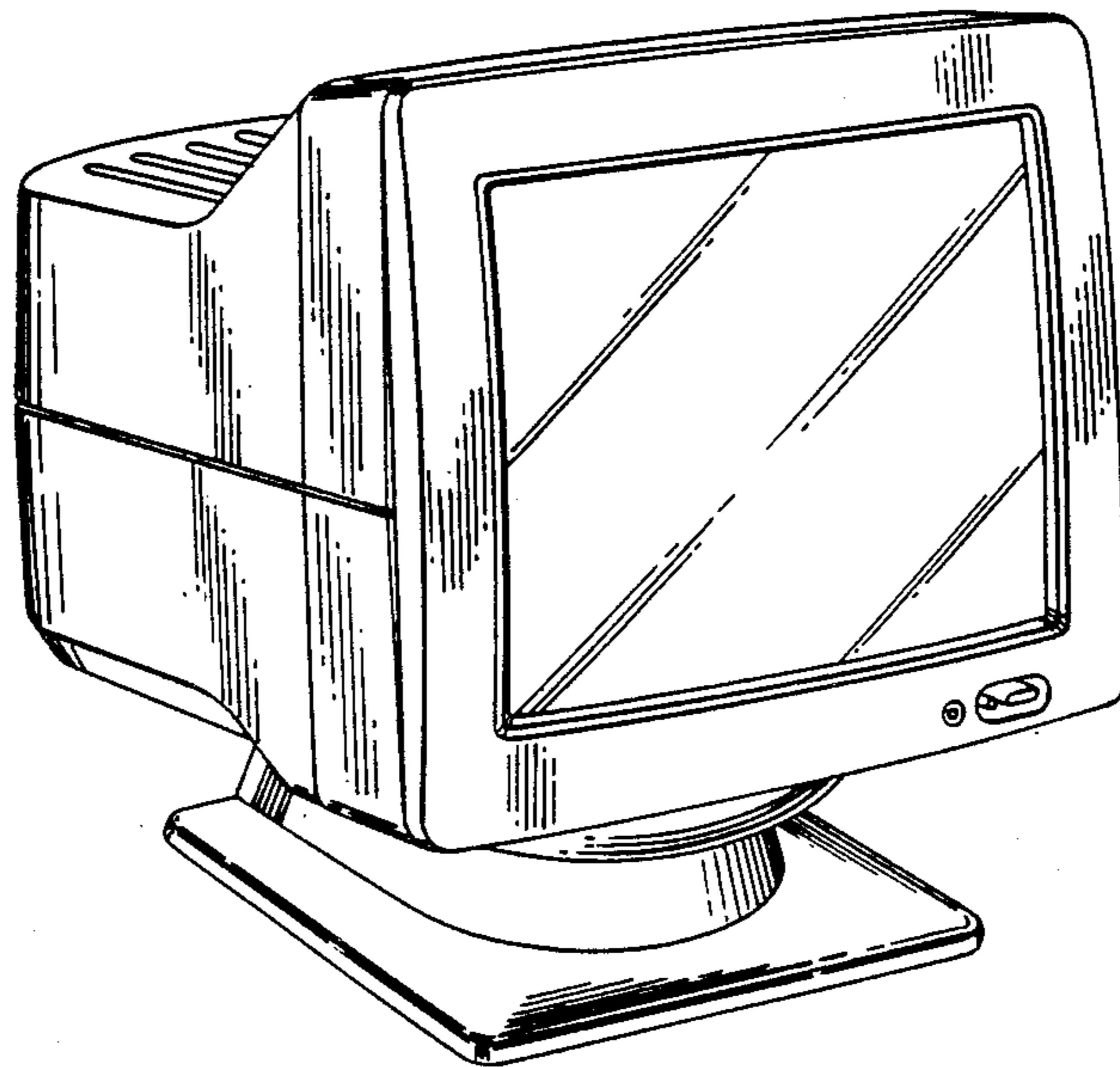


FIG. 1

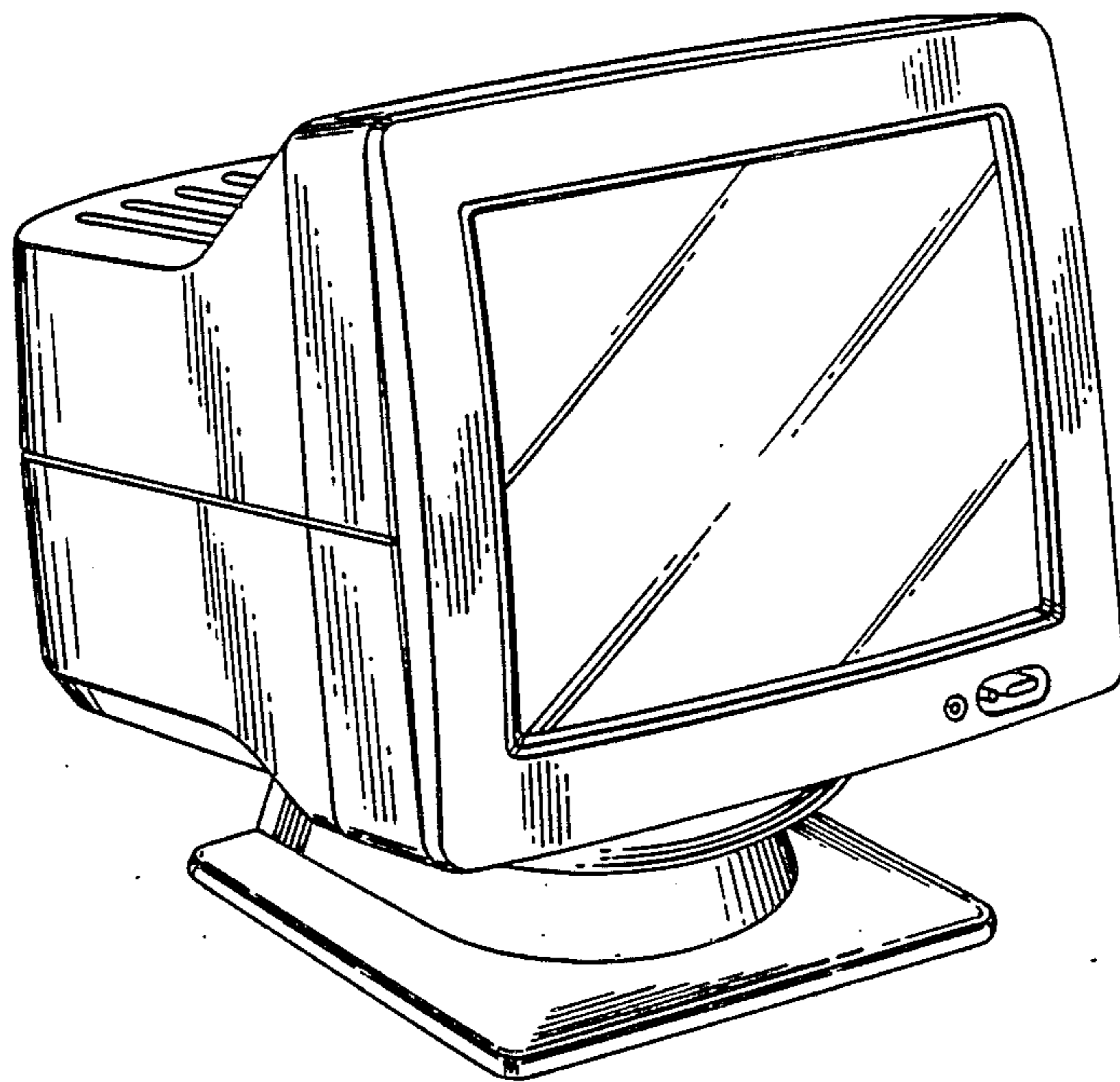


FIG. 2

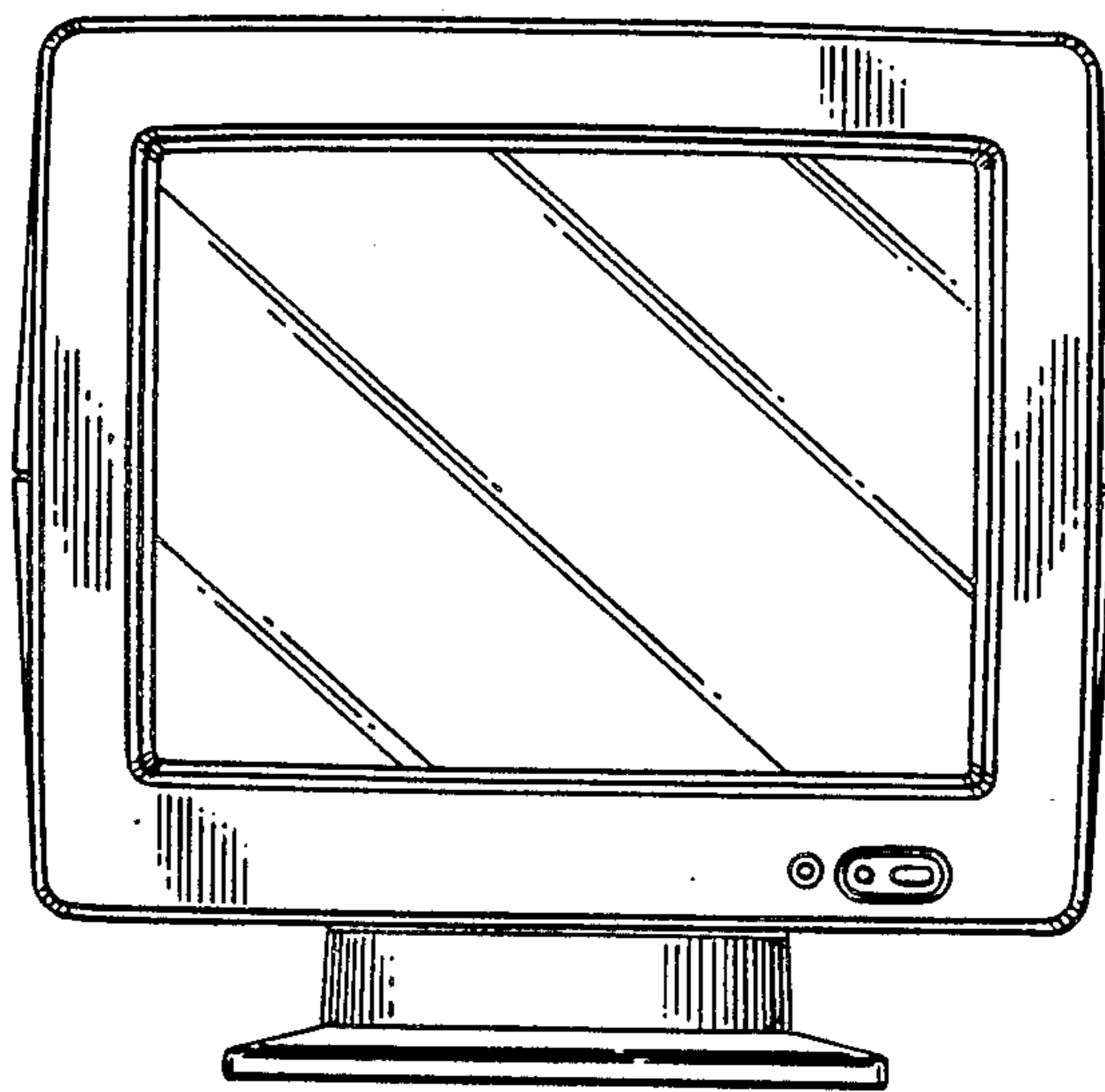


FIG. 3

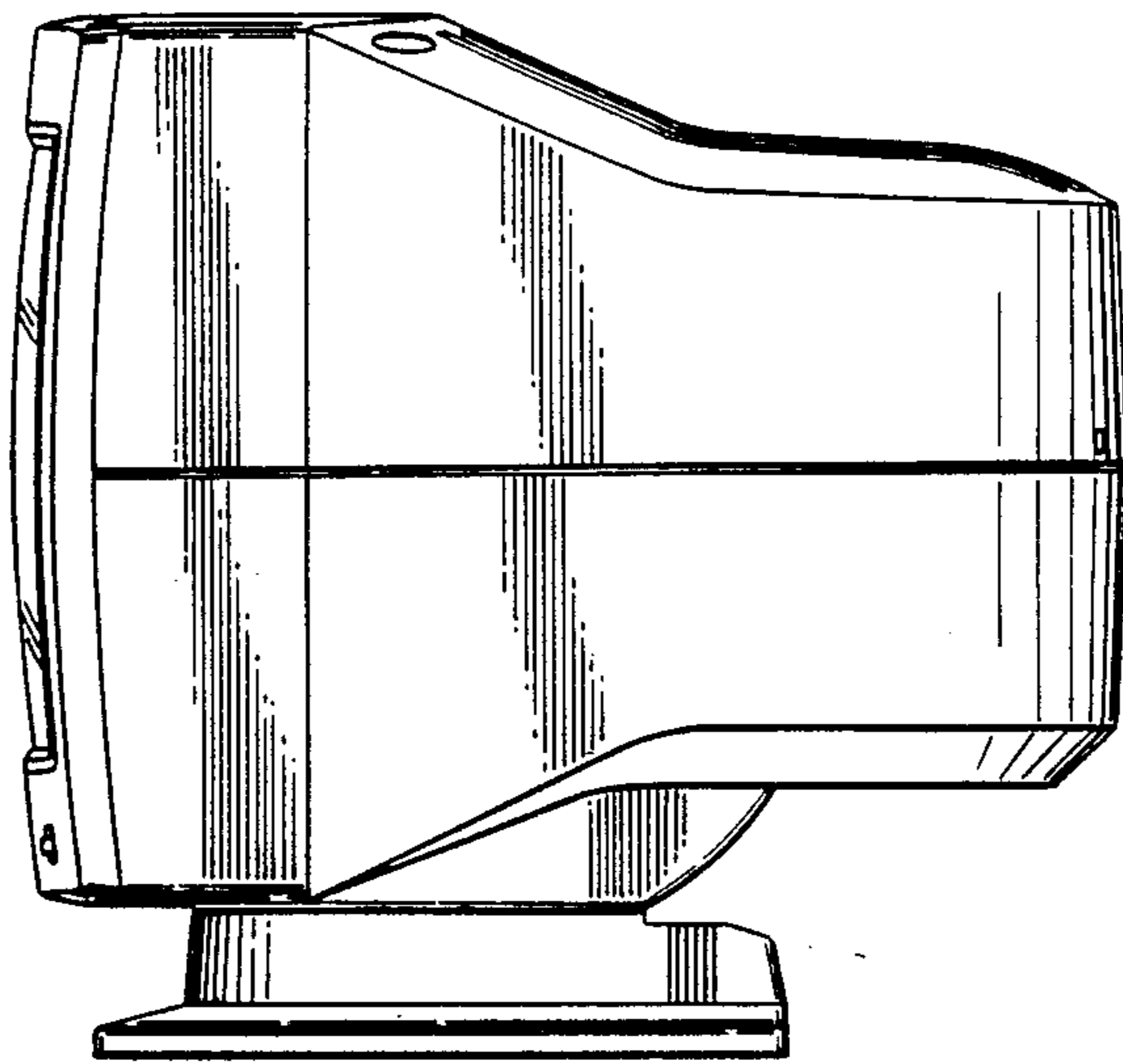


FIG. 4

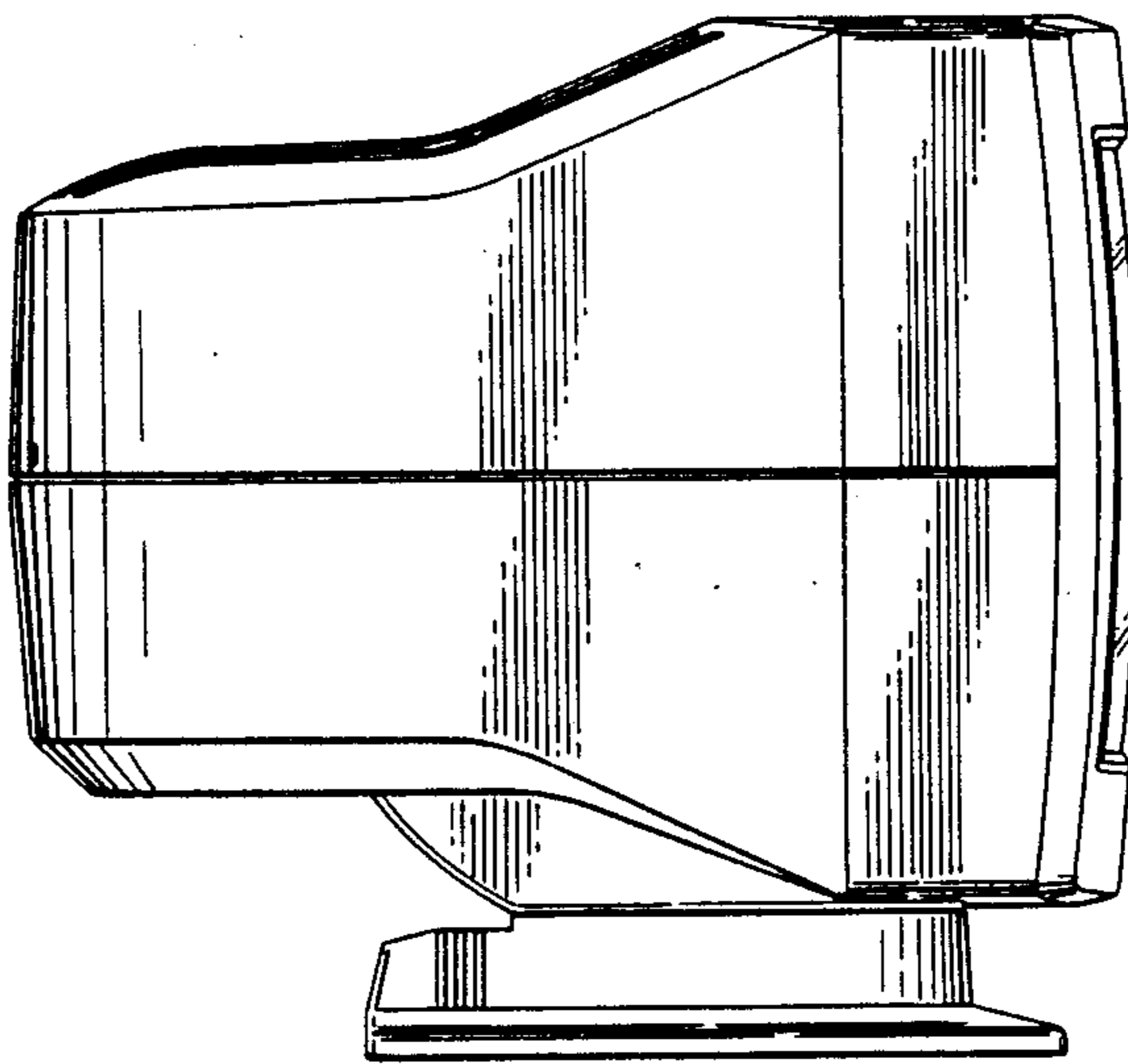


FIG. 5

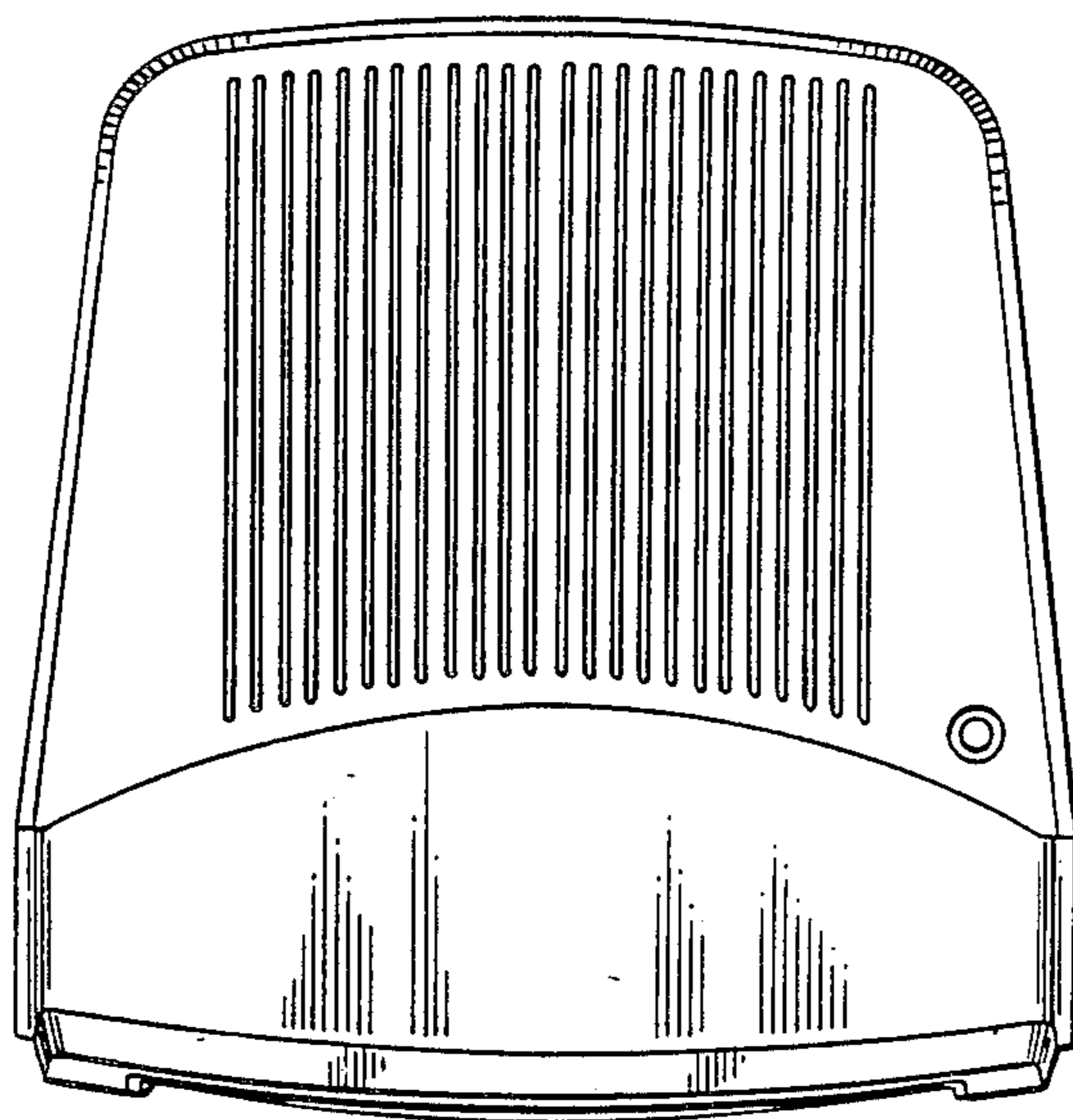


FIG. 6

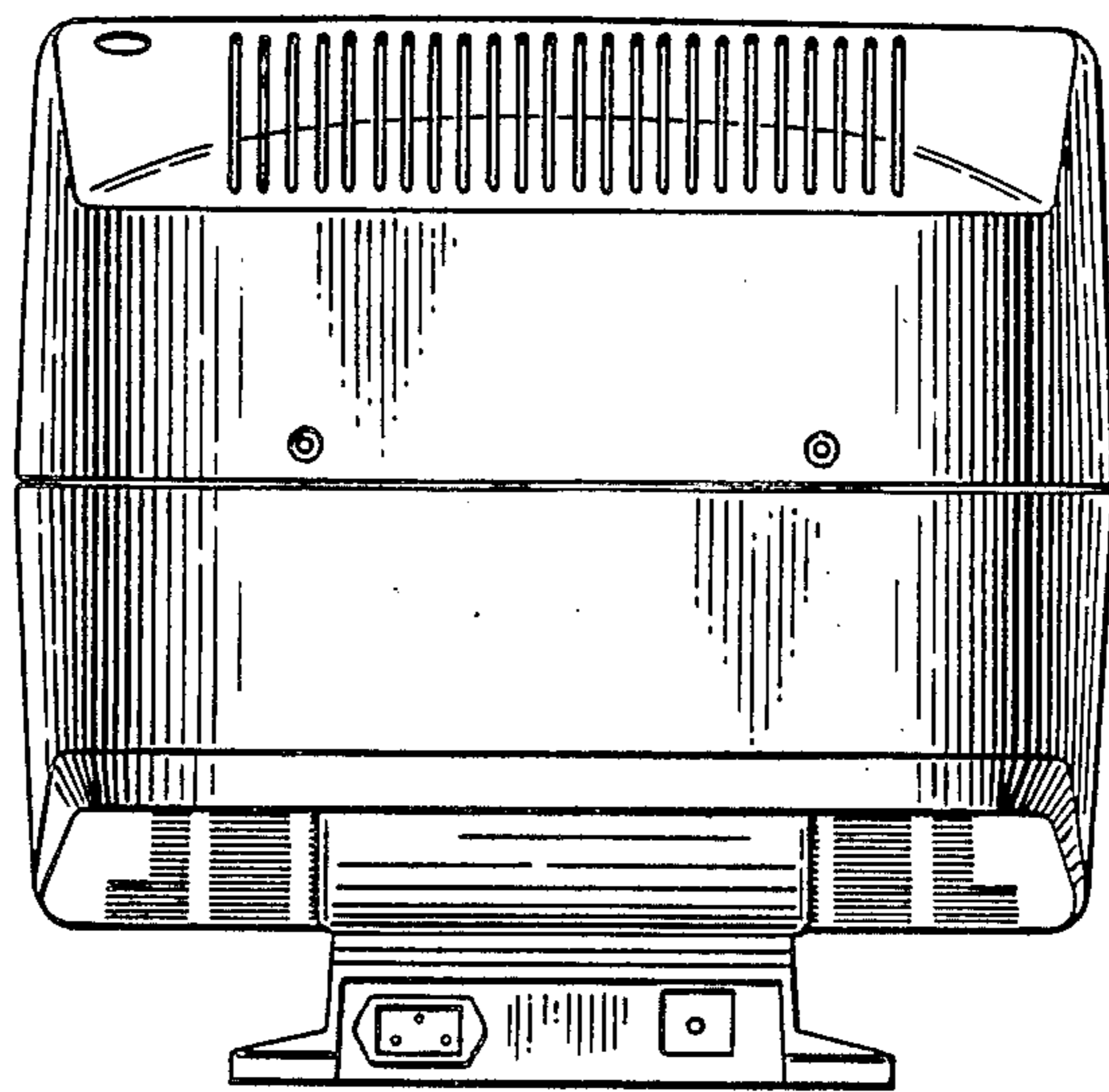


FIG. 7

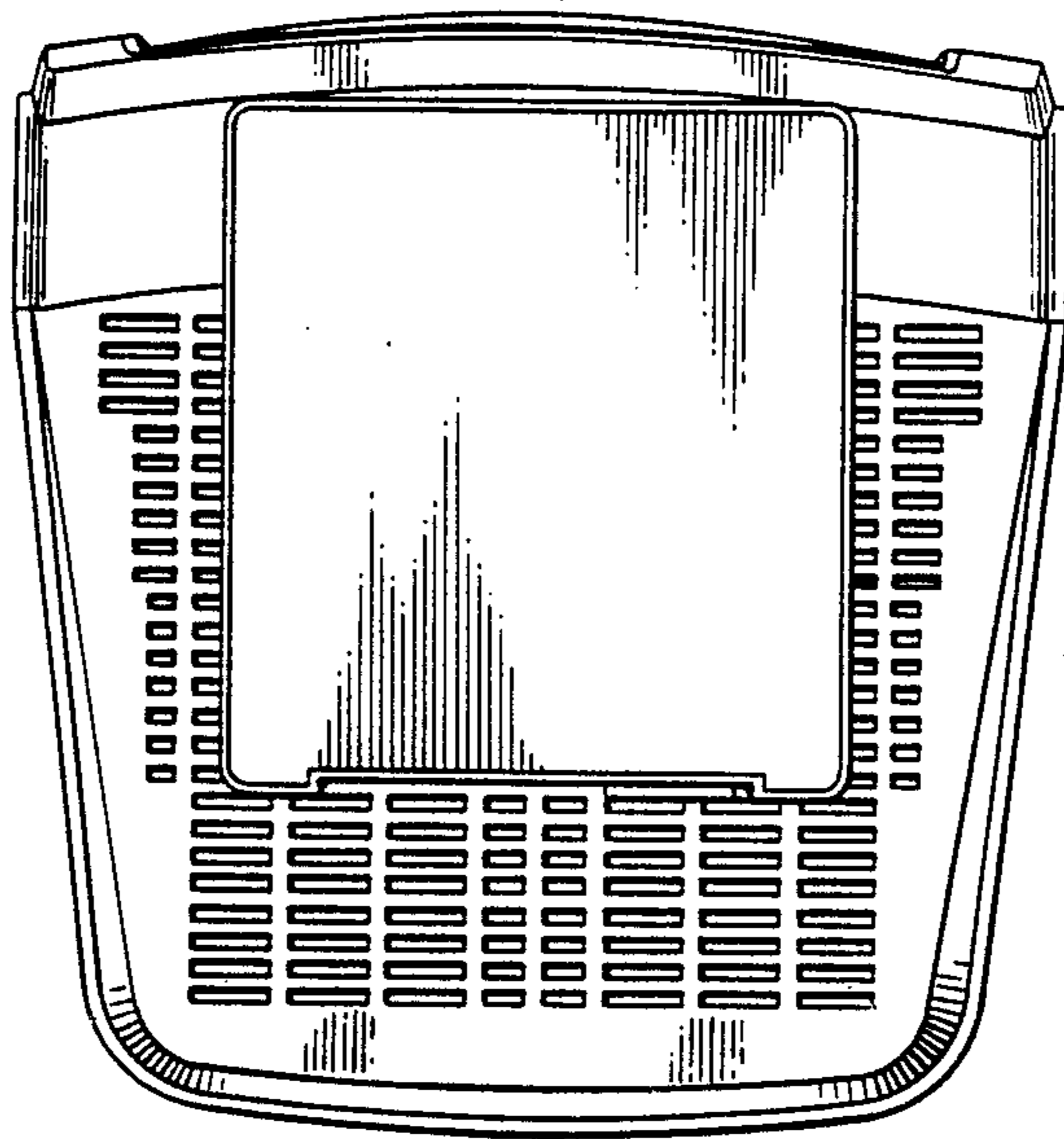


FIG. 8

