

[54] OPTICAL CHARACTER RECOGNITION DEVICE

[75] Inventors: Toru Nakamura; Yoshitaka Yasunaga, both of Osaka, Japan

[73] Assignee: Sumitomo Electric Industries, Ltd., Osaka, Japan

[**] Term: 14 Years

[21] Appl. No.: 769,916

[22] Filed: Aug. 27, 1985

[52] U.S. Cl. D14/107; D14/105

[58] Field of Search D14/105, 107, 114; 235/454, 470, 472; 250/203 R, 566; 358/285

[56] References Cited

U.S. PATENT DOCUMENTS

D. 239,029 3/1976 Conway et al. D14/105 X

4,277,689 7/1981 Thomas et al. D14/107 X

Primary Examiner—Susan J. Lucas
Attorney, Agent, or Firm—Sughrue, Mion, Zinn, Macpeak, and Seas

[57] CLAIM

The ornamental design for an optical character recognition device, as shown.

DESCRIPTION

FIG. 1 is a top, front and right side perspective view of an optical character recognition device showing our new design;

FIG. 2 is a front elevational view thereof;

FIG. 3 is a rear elevational view thereof;

FIG. 4 is a top plan view thereof;

FIG. 5 is a bottom plan view thereof;

FIG. 6 is a left elevational view thereof; and

FIG. 7 is a right side elevational view thereof.

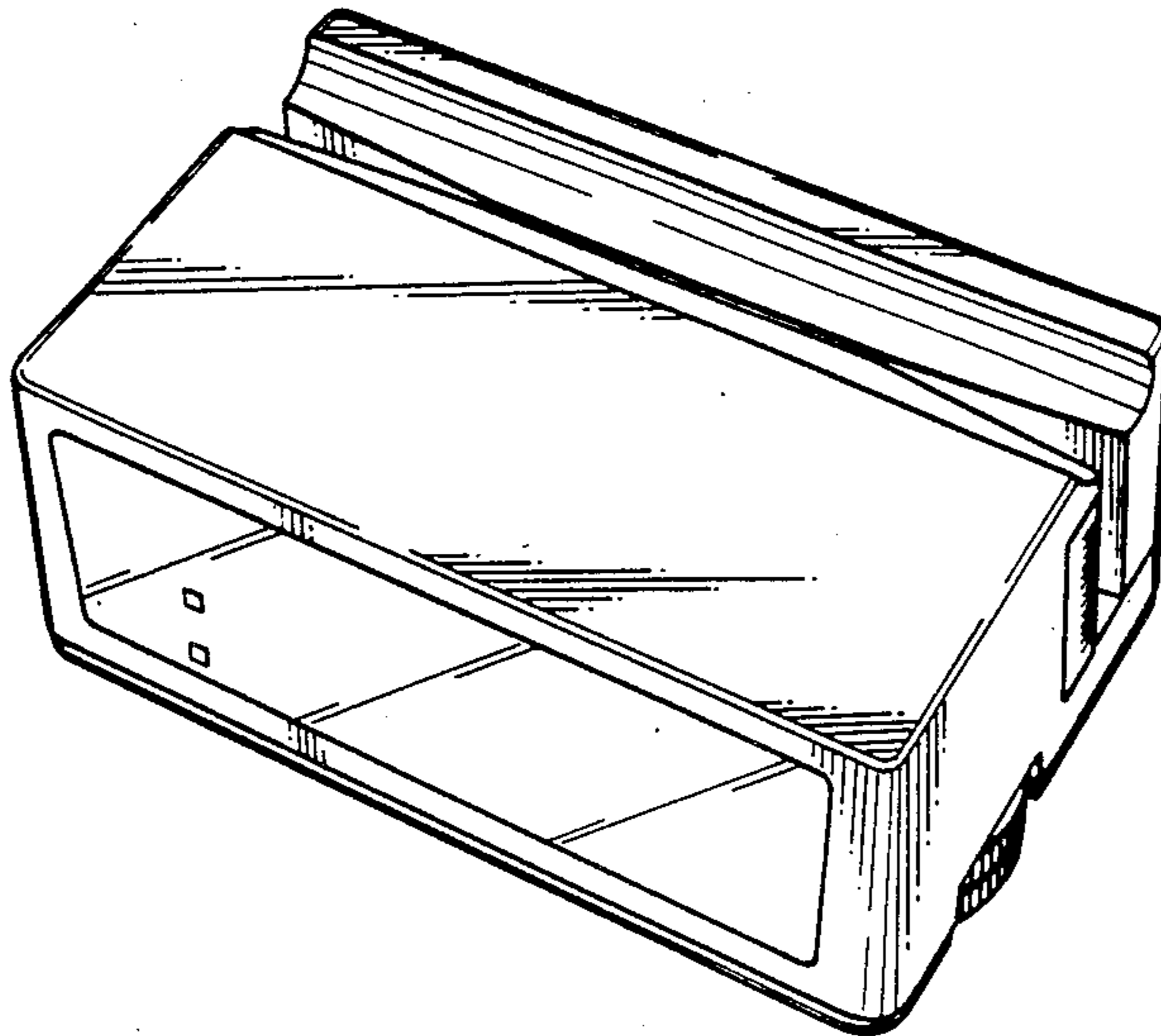


Fig. 1

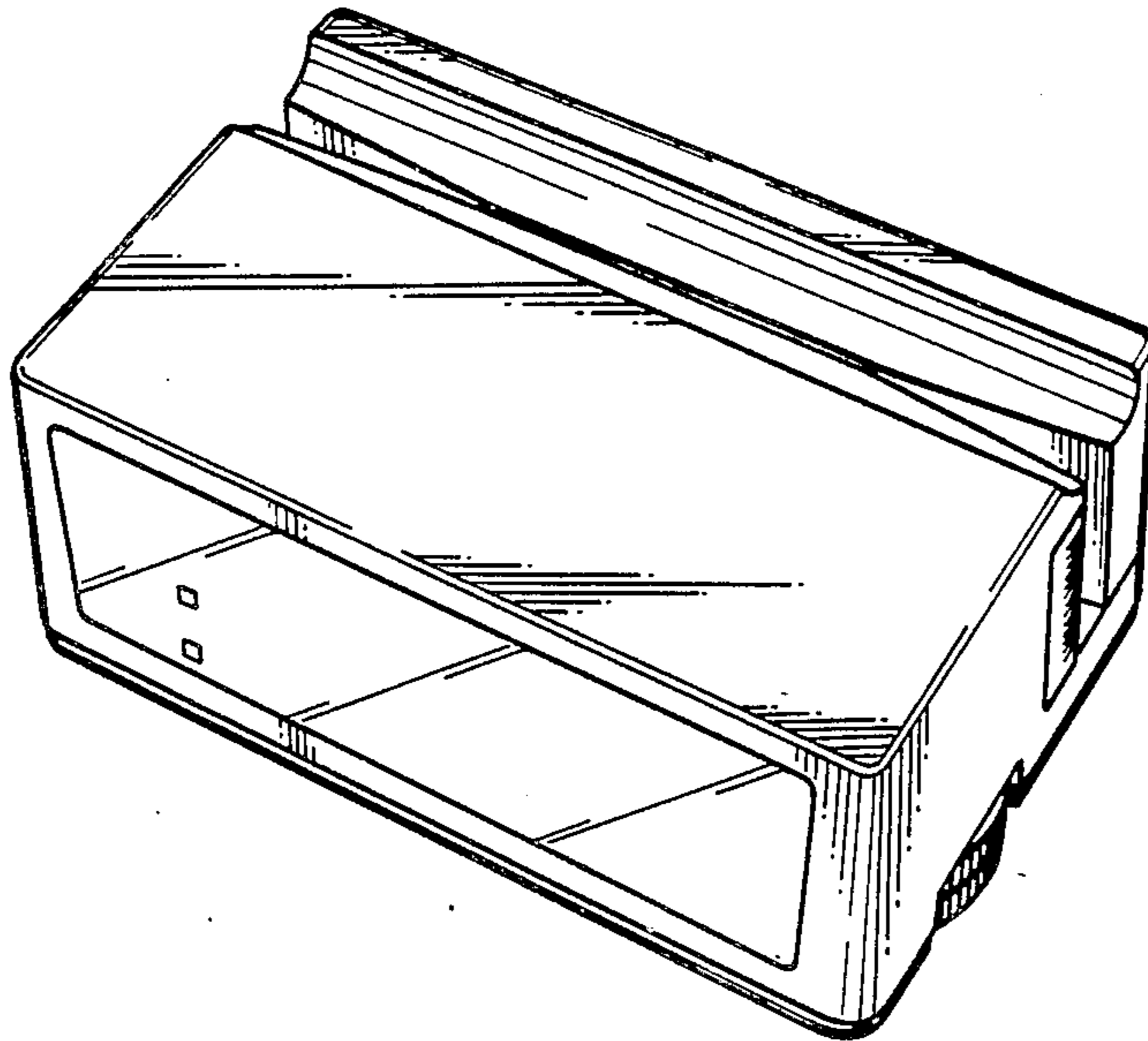


Fig. 2

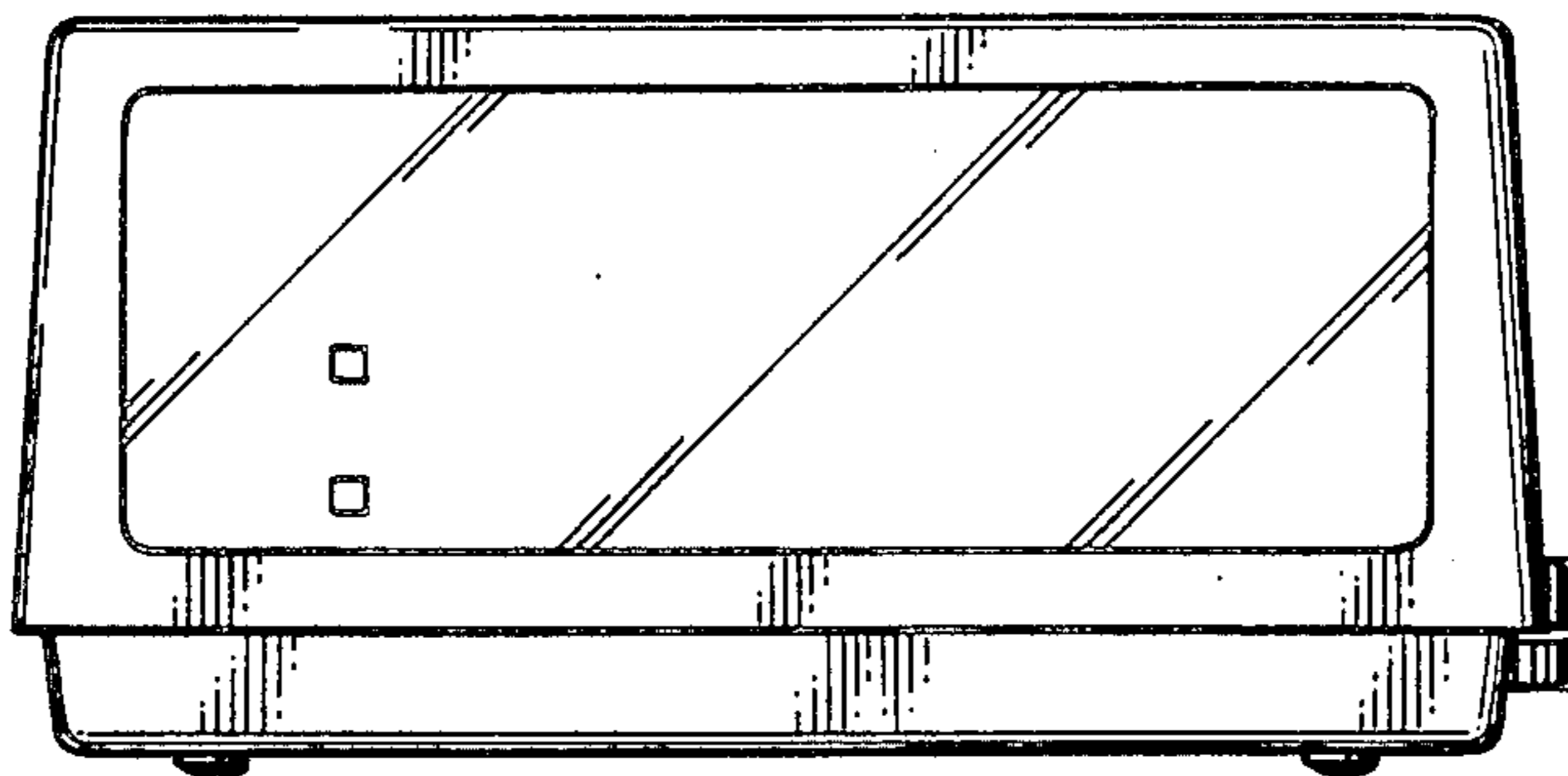


Fig. 3

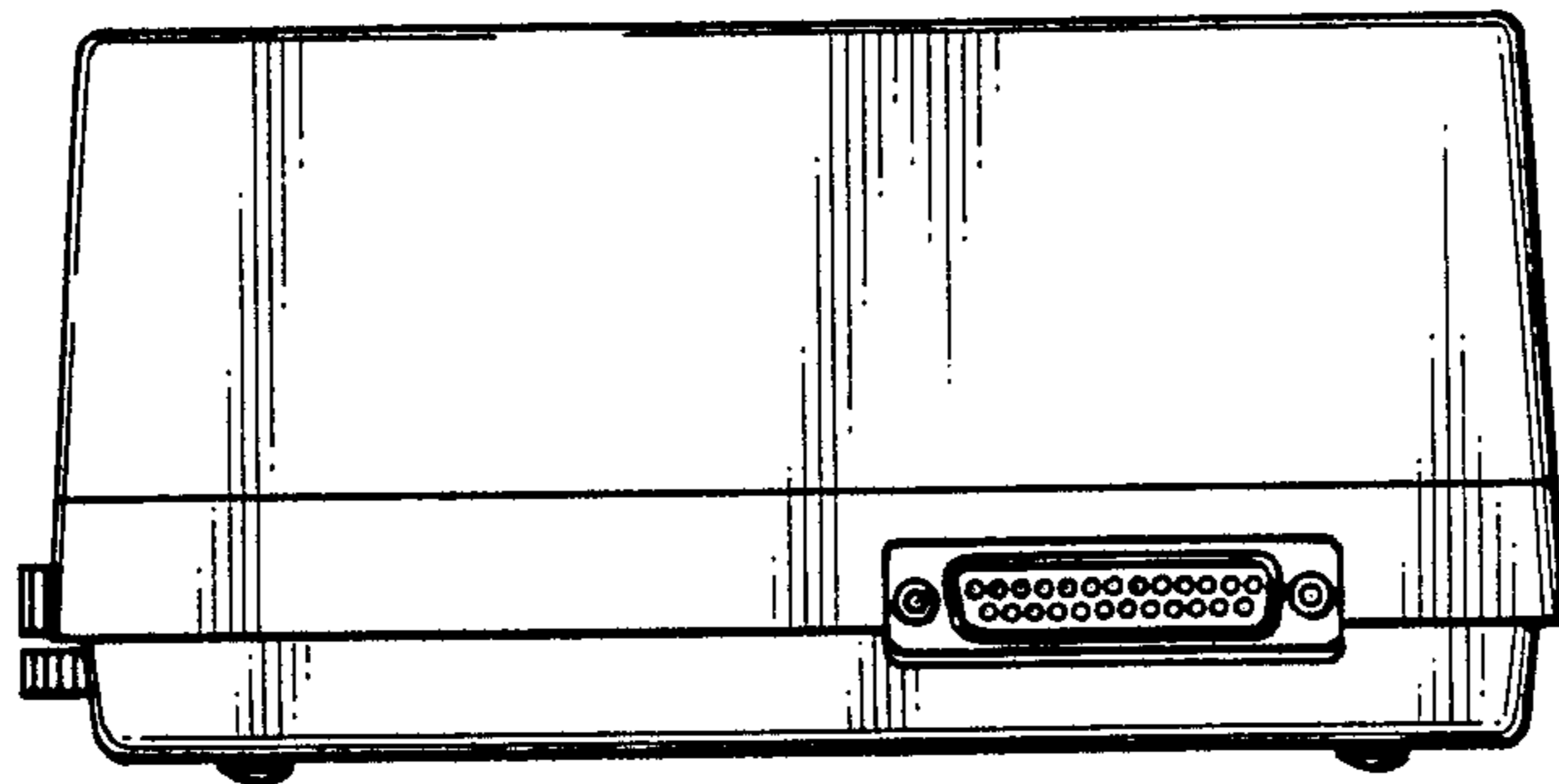


Fig. 4

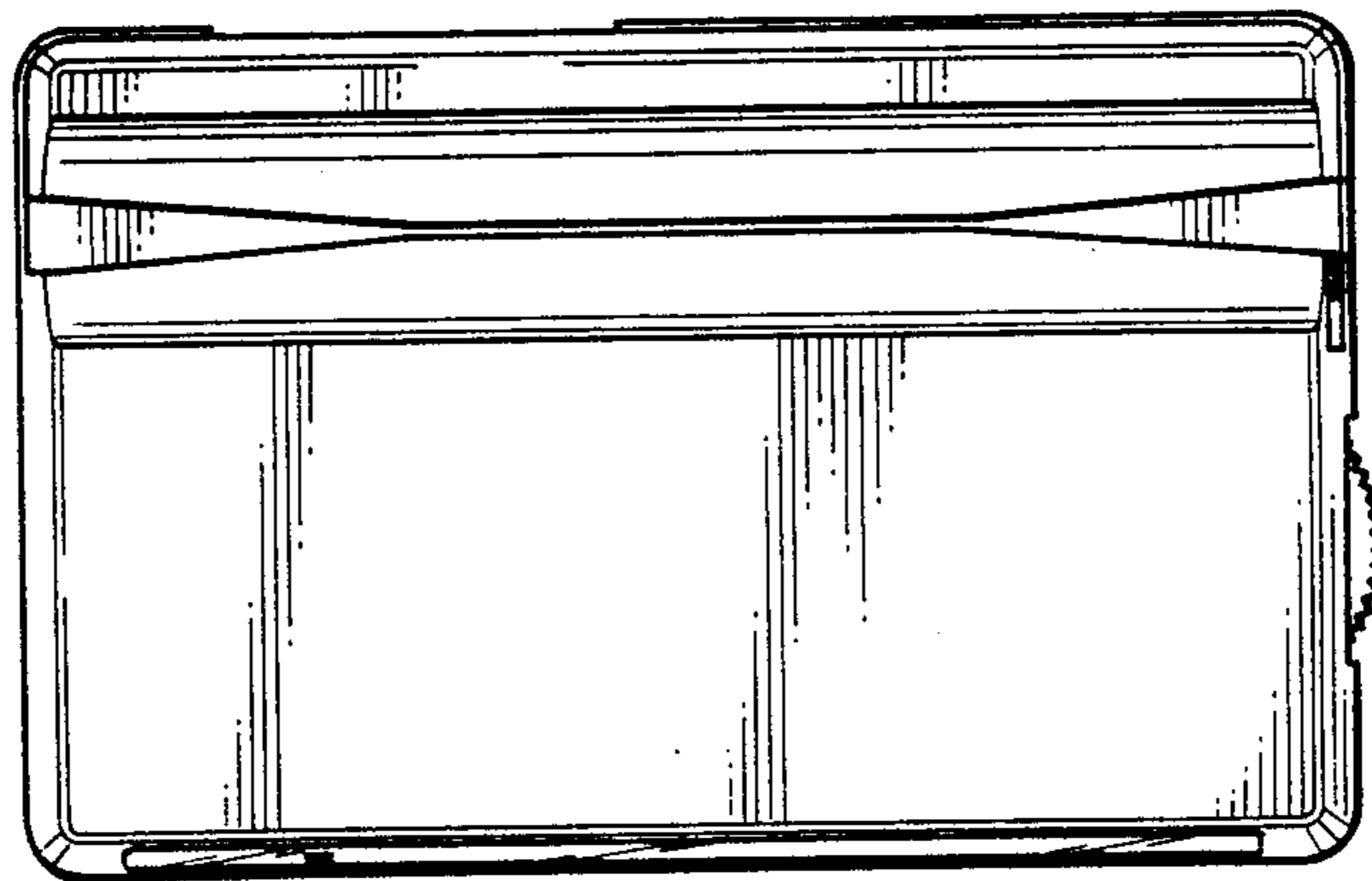


Fig. 5

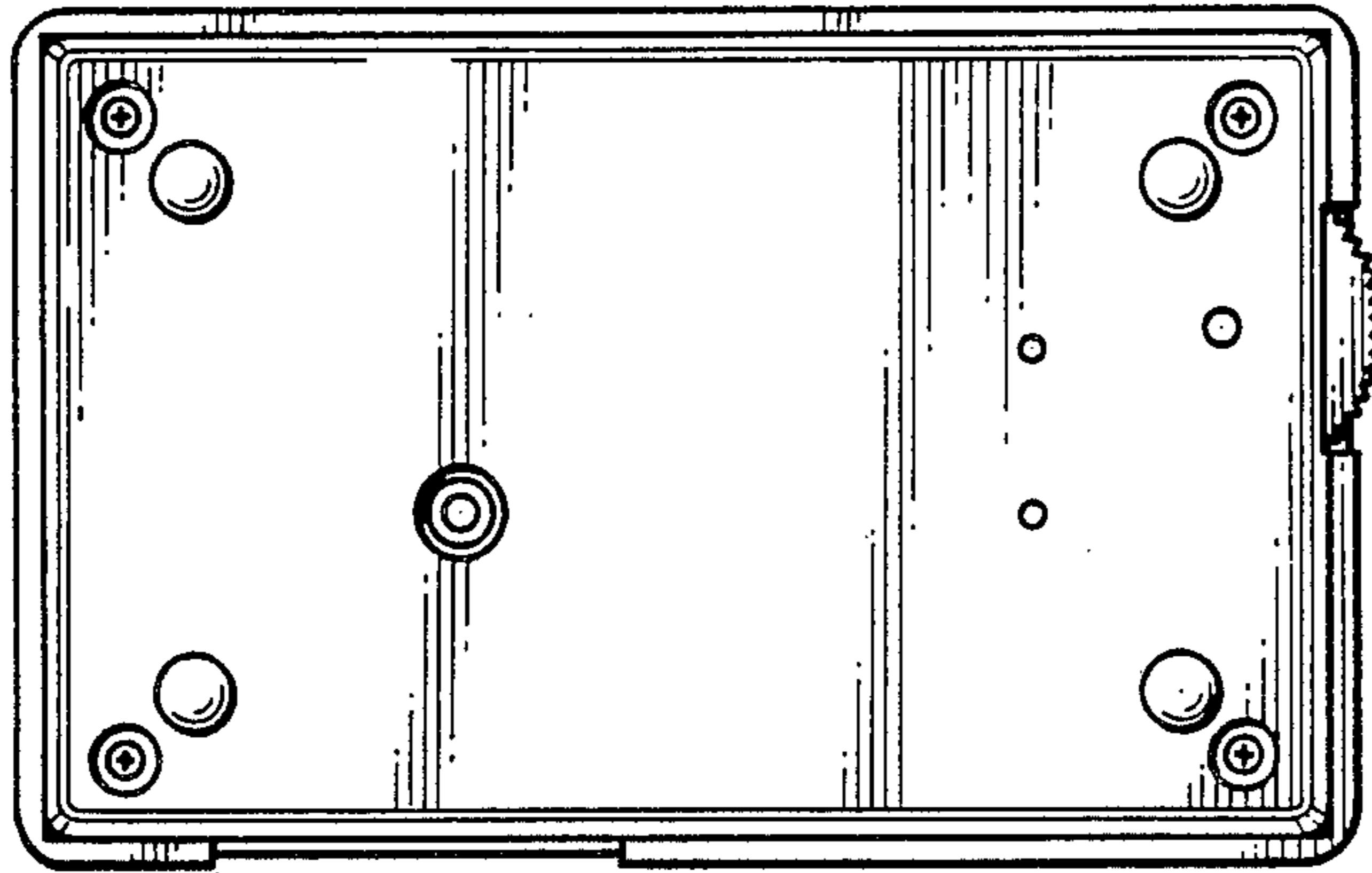


Fig. 6

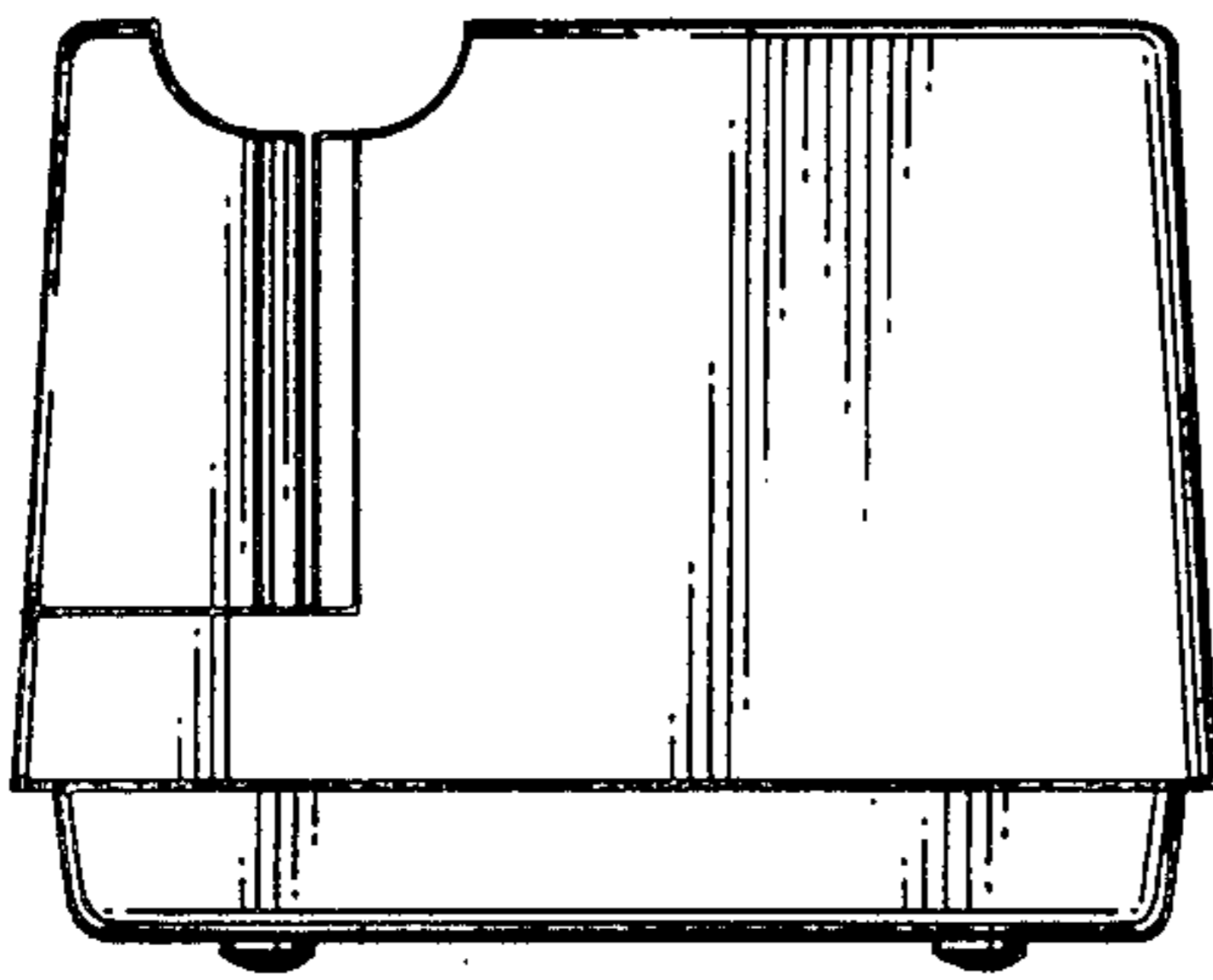


Fig. 7

