

[54] TELEPHONE SET

[75] Inventor: Edward O. Dunstall, London, England

[73] Assignee: The General Electric Company, p.l.c.

[**] Term: 14 Years

[21] Appl. No.: 919,510

[22] Filed: Oct. 16, 1986

[30] Foreign Application Priority Data

Apr. 28, 1986 [GB] United Kingdom 1033732

[52] U.S. Cl. D14/53; D14/62; D14/63

[58] Field of Search D14/52, 53, 54, 56, D14/57, 58, 60, 62, 63, 64; 379/428, 432, 434, 436, 446, 419, 440

[56] References Cited

U.S. PATENT DOCUMENTS

- D. 259,563 6/1981 Marshall D14/58 X
- D. 270,155 8/1983 Shimizu D14/53
- D. 276,157 10/1984 Marshall D14/64 X
- D. 276,808 12/1984 Fukutani D14/60 X
- D. 279,896 7/1985 Inaba D14/64 X
- D. 282,928 3/1986 Marshall D14/64 X

- D. 284,003 5/1986 Tamura D14/62 X
- D. 289,639 5/1987 Anno et al. D14/62 X
- D. 289,640 5/1987 Anno et al. D14/62 X
- D. 291,082 7/1987 Buchin D14/57 X
- 4,593,159 6/1986 Charchanko 379/428

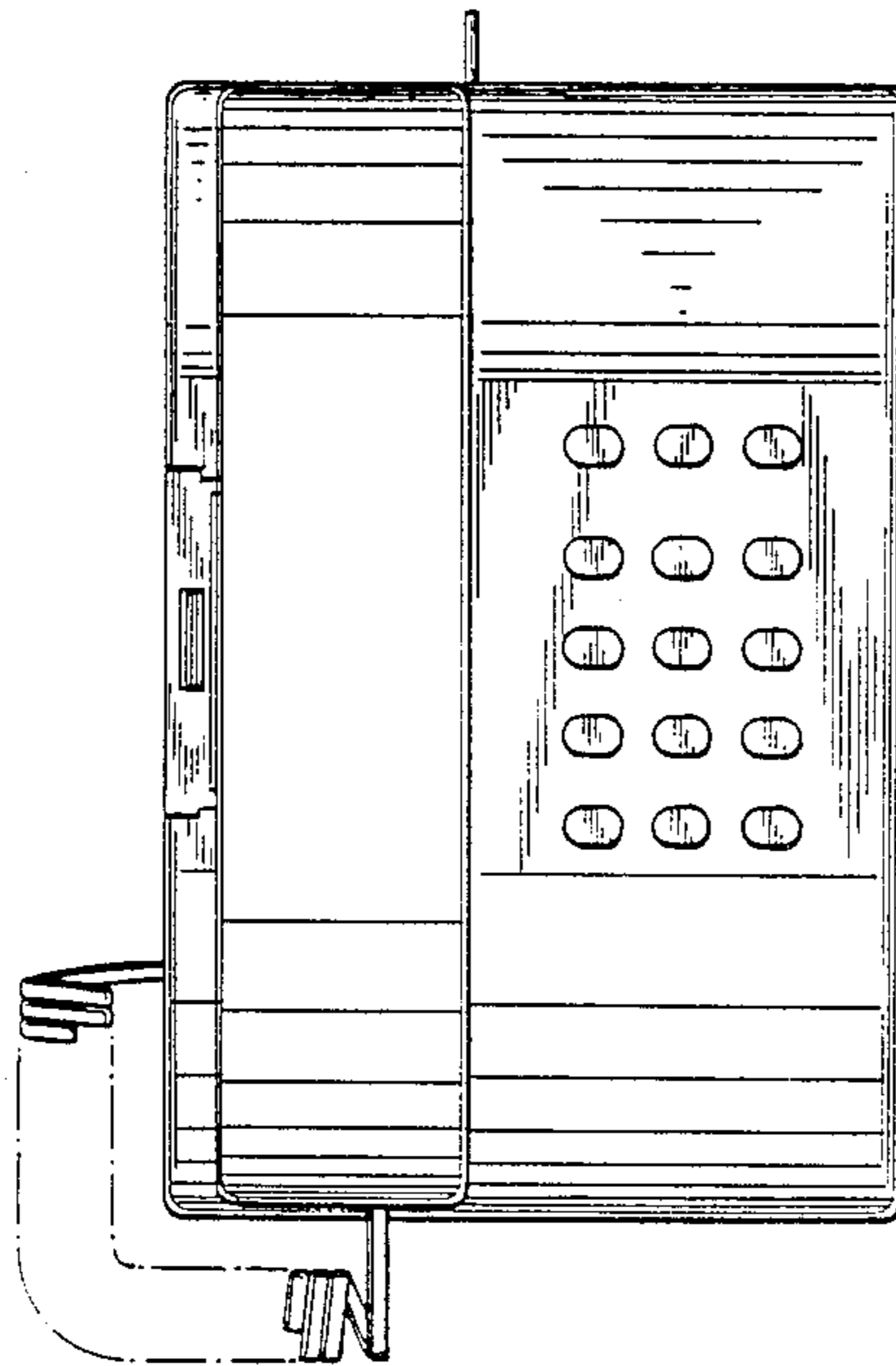
Primary Examiner—James M. Gandy
Assistant Examiner—Horace B. Fay, Jr.
Attorney, Agent, or Firm—Kirschstein, Kirschstein, Ottinger & Israel

[57] CLAIM

The ornamental design for a telephone set, substantially as shown.

DESCRIPTION

FIG. 1 is a top plan view of a telephone set showing my new design;
FIG. 2 is a bottom plan view thereof;
FIG. 3 is a top plan view of the stand and a right side elevational view of the handset spaced apart;
FIG. 4 is a rear elevational view thereof;
FIG. 5 is a right side elevational view of the stand and a bottom plan view of the handset spaced apart; and
FIG. 6 is a front elevational view of the stand of the set and a front elevational view of the handset spaced apart. The cord is shown in fragmentary form for ease of illustration.



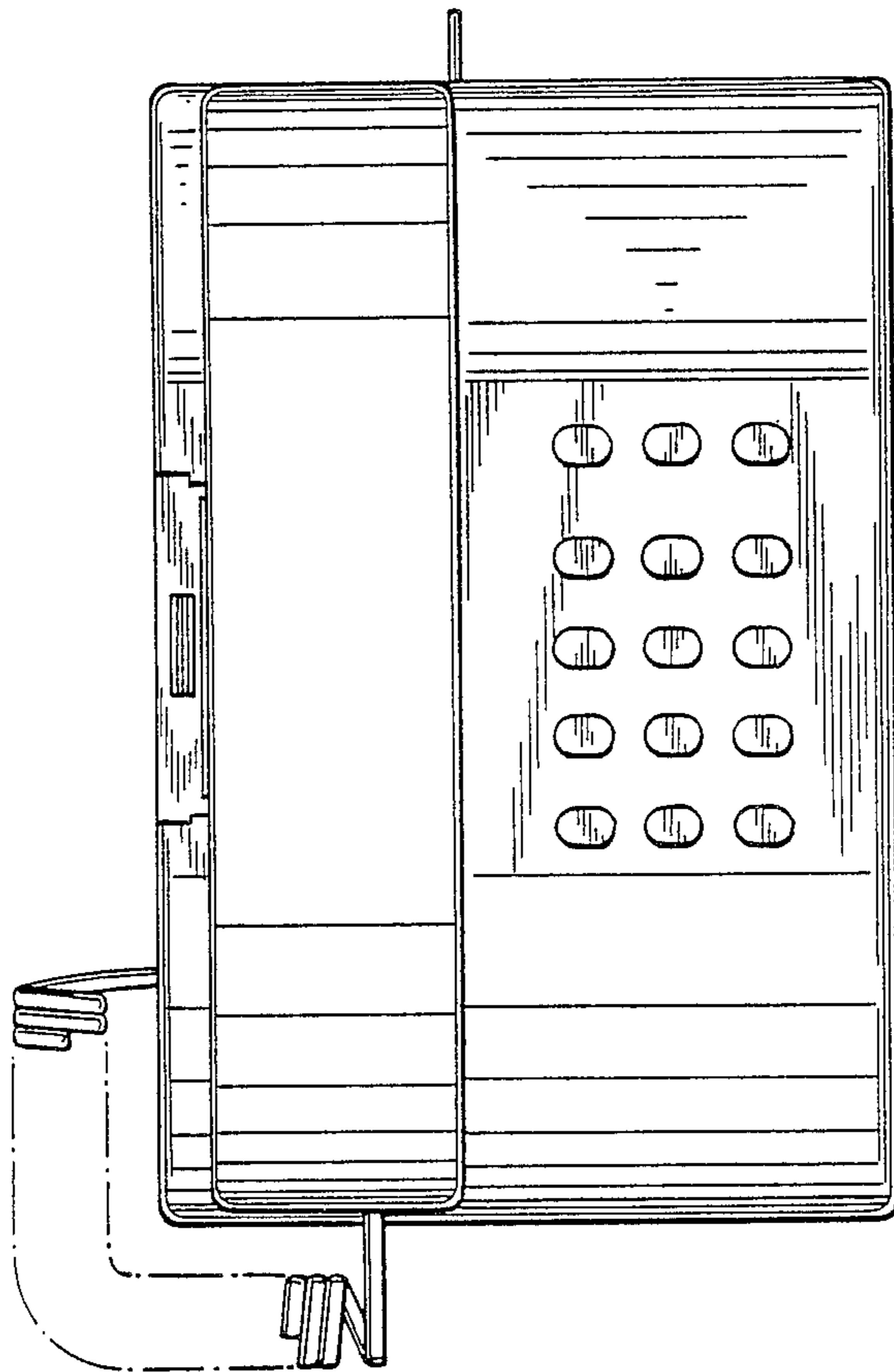


Fig. 1.

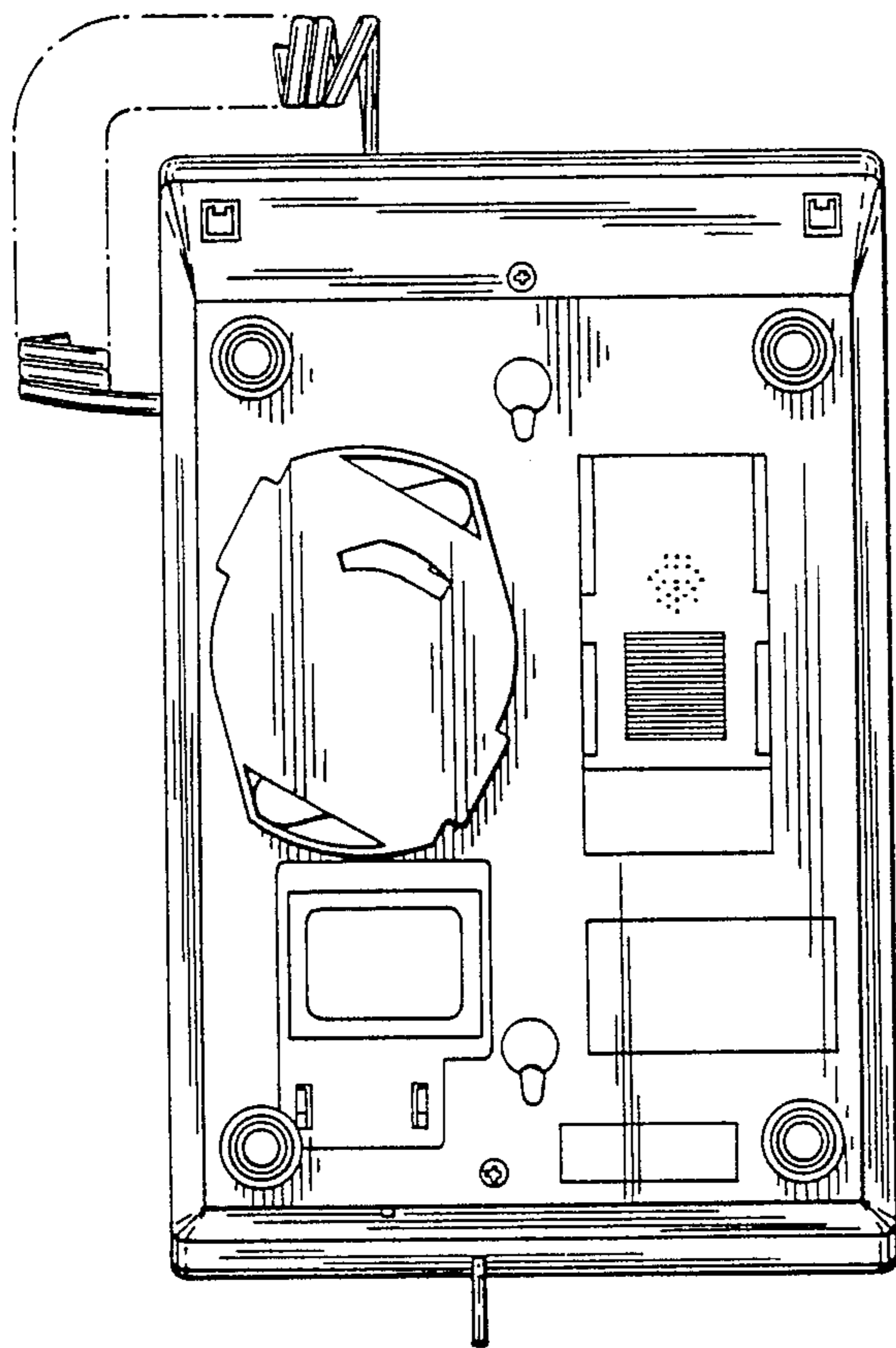


Fig. 2.

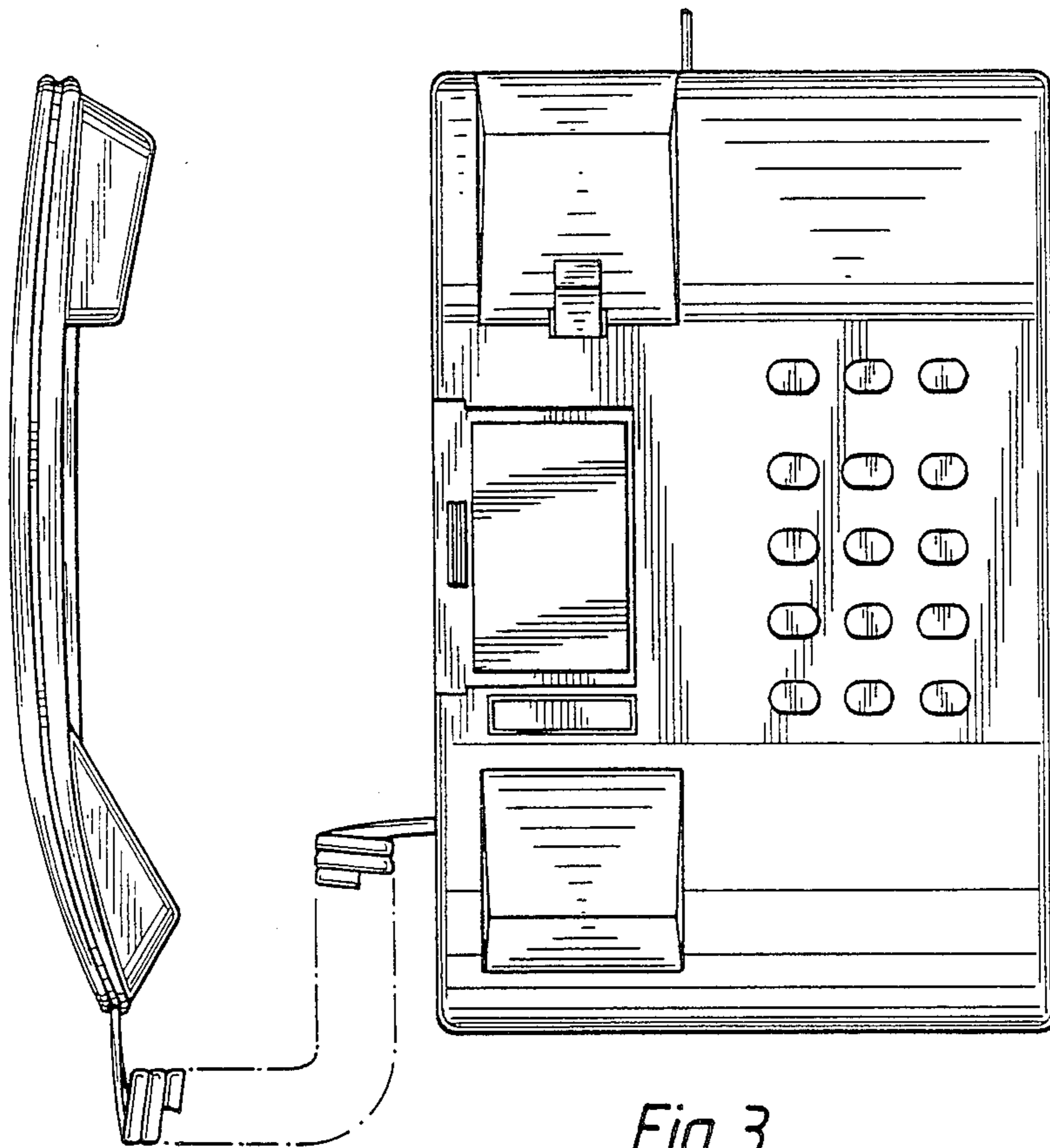


Fig. 3.

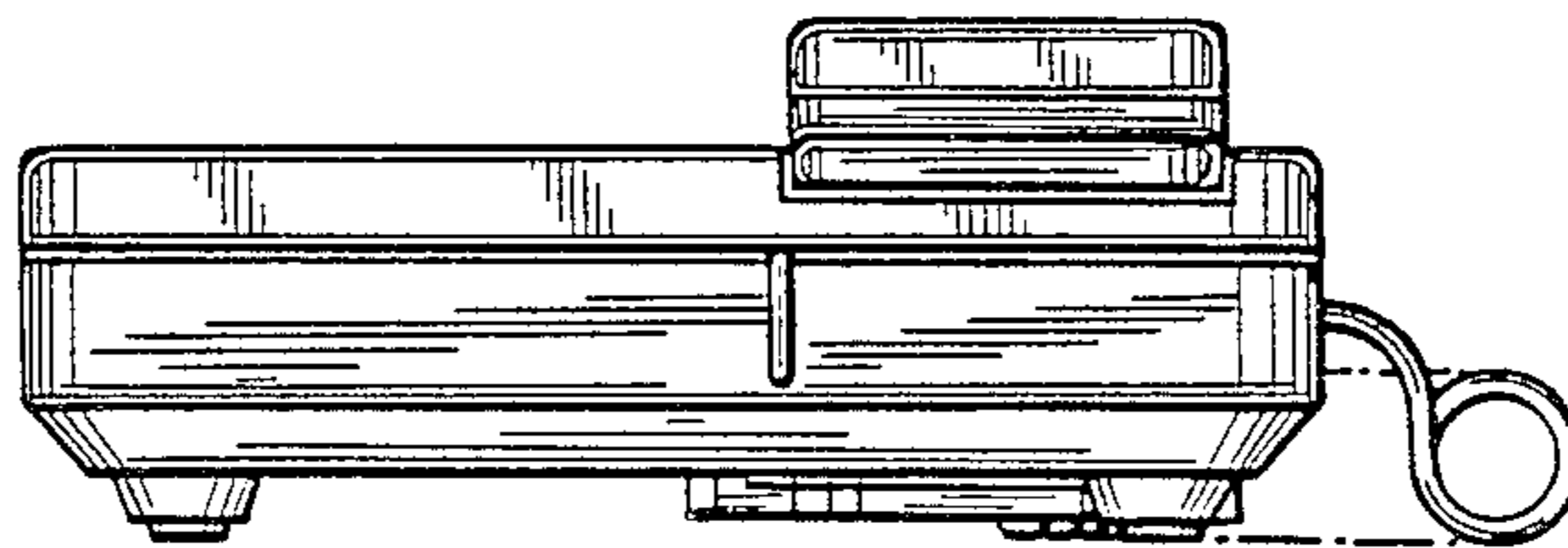


Fig. 4.

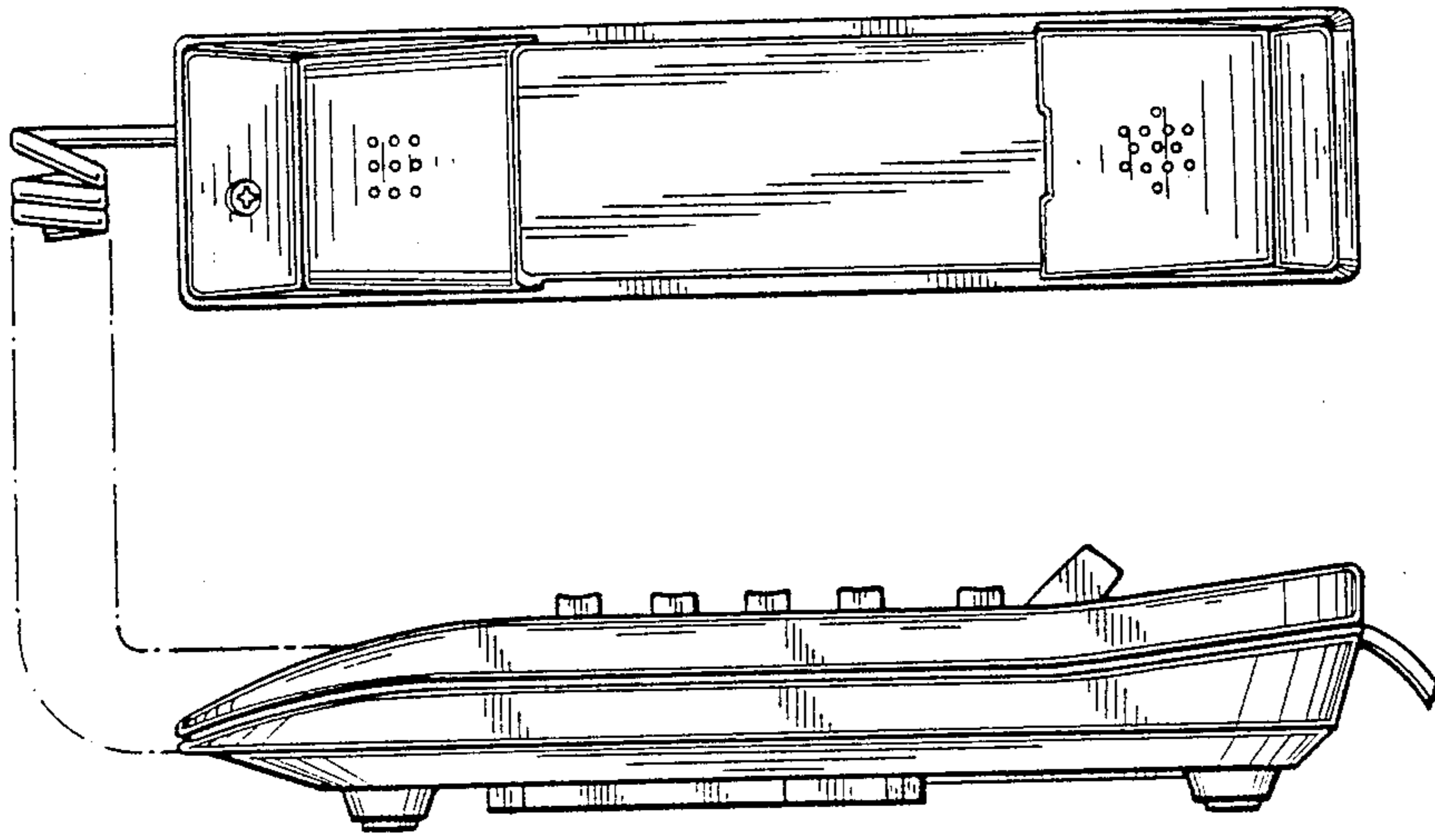


Fig. 5.

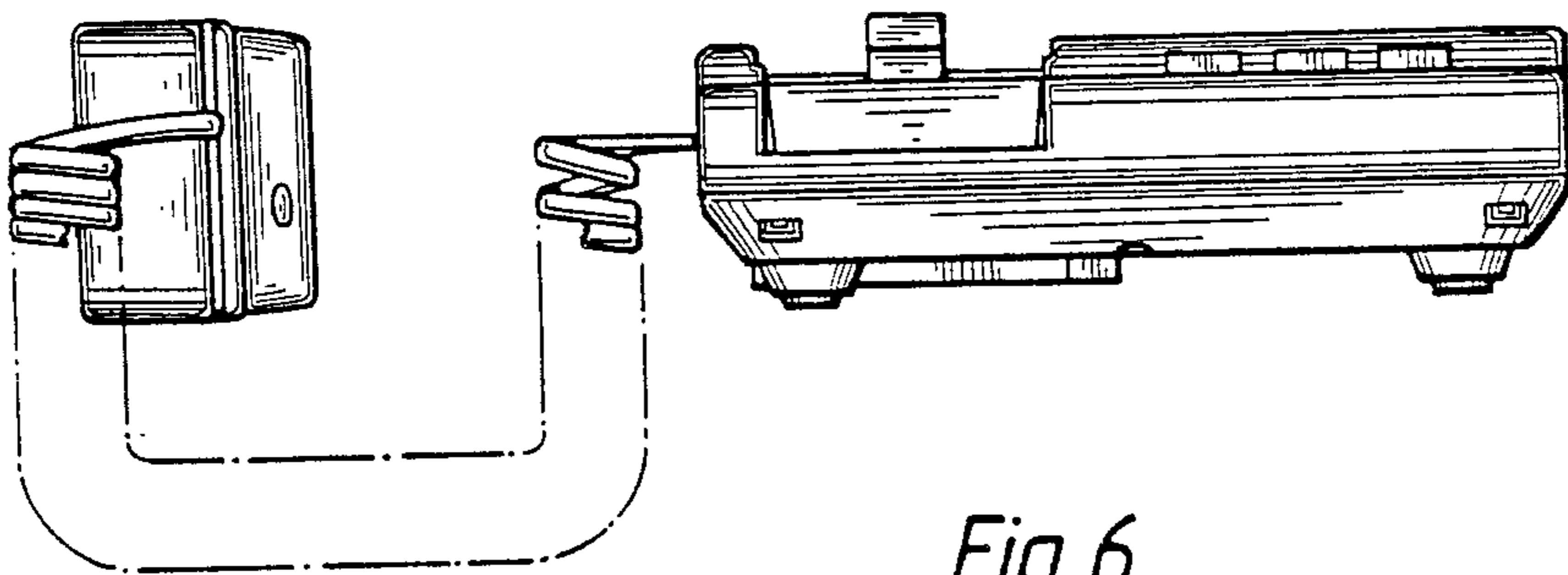


Fig. 6.