

[54] ELECTRONIC CIRCUIT BOARD HOUSING

4,455,448 6/1984 Bertolina 174/35 R
4,468,718 8/1984 Main 361/399
4,533,976 8/1985 Suwa 361/415

[75] Inventor: Garry W. Klees, King County, Wash.

[73] Assignee: Detects Inc., Grand Rapids, Mich.

Primary Examiner—Susan J. Lucas
Assistant Examiner—Ruth Takemoto
Attorney, Agent, or Firm—Price, Heneveld, Cooper,
DeWitt & Litton

[**] Term: 14 Years

[21] Appl. No.: 710,099

[57] CLAIM

[22] Filed: Mar. 11, 1985

The ornamental design for an electronic circuit board housing, substantially as shown and described.

[52] U.S. Cl. D13/41

[58] Field of Search D13/40-41,
D13/99; 73/431; 174/35 R, 50, 50.54, 52 R, 65
R; 361/332, 358, 399, 403, 415; 269/903

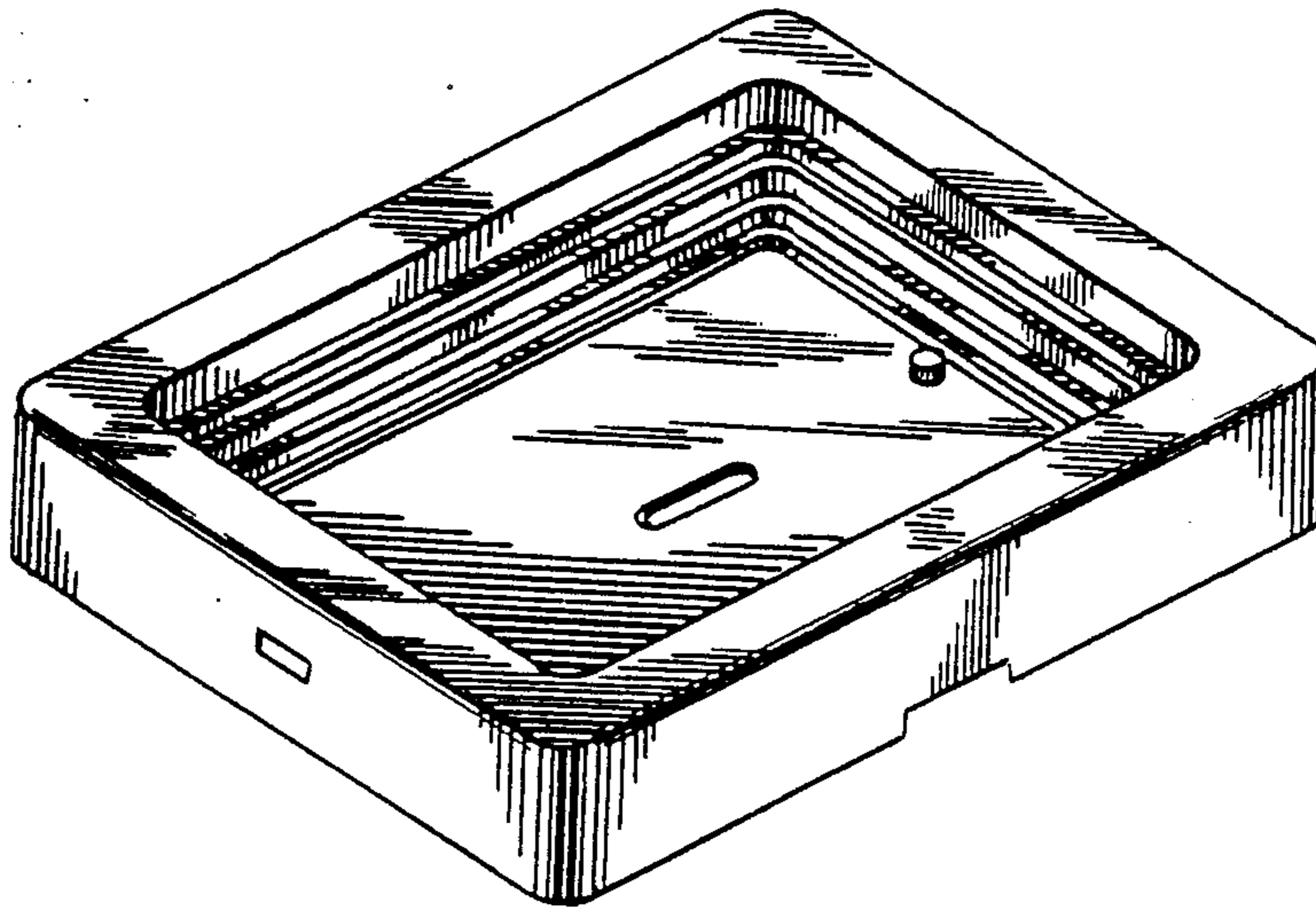
DESCRIPTION

[56] References Cited

U.S. PATENT DOCUMENTS

31,836 11/1899 Heib D13/13
D. 218,039 7/1970 Alaska D13/11
D. 286,740 11/1986 Larsson D13/30
4,322,702 3/1982 Bosch 174/50

FIG. 1 is an isometric view of an electronic circuit board housing showing my new design;
FIG. 2 is a side elevational view thereof; the opposite side being identical;
FIG. 3 is a front elevational view thereof, the rear view being identical;
FIG. 4 is a top plan view thereof;
FIG. 5 is a bottom plan view thereof.



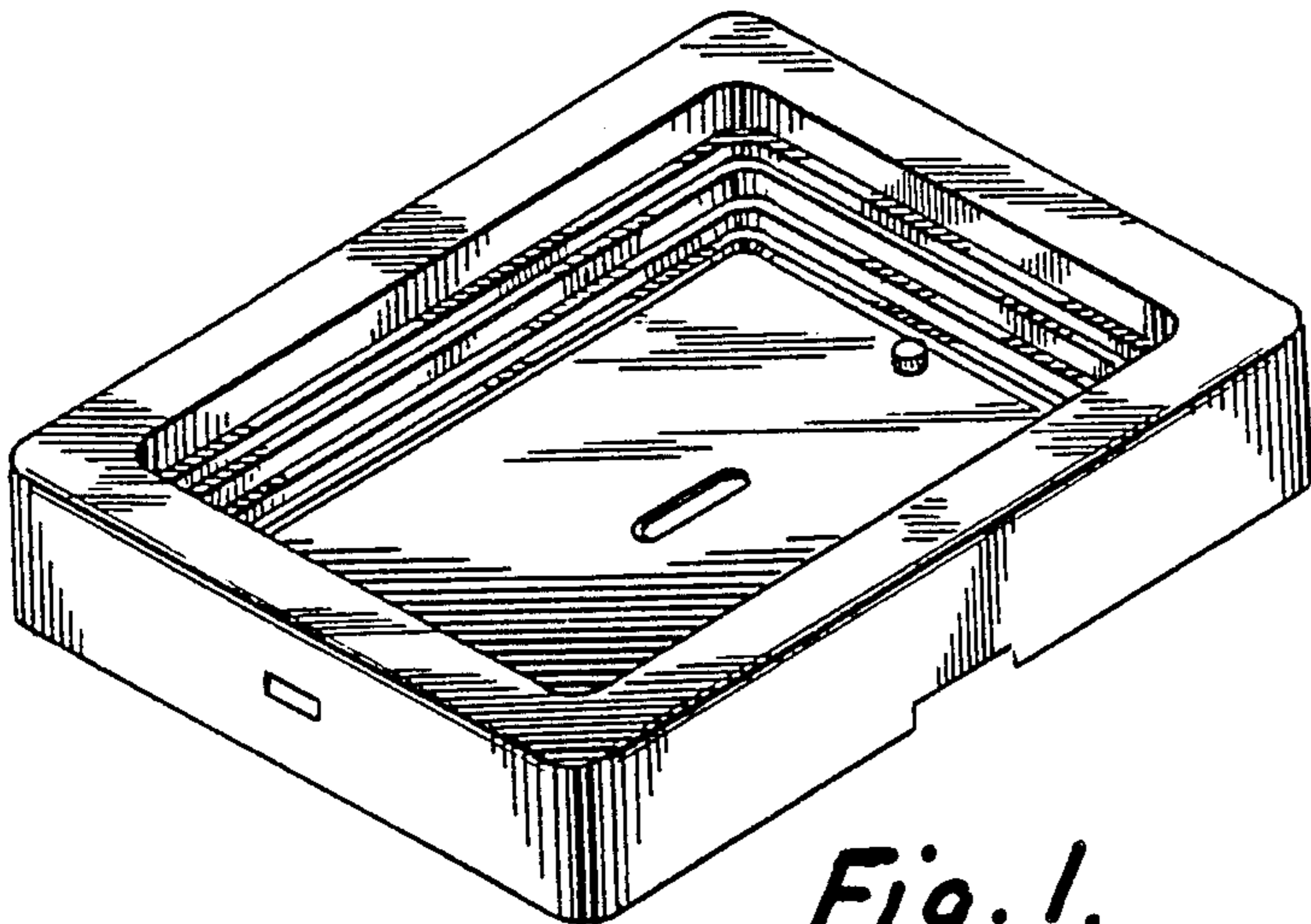


Fig. 1.

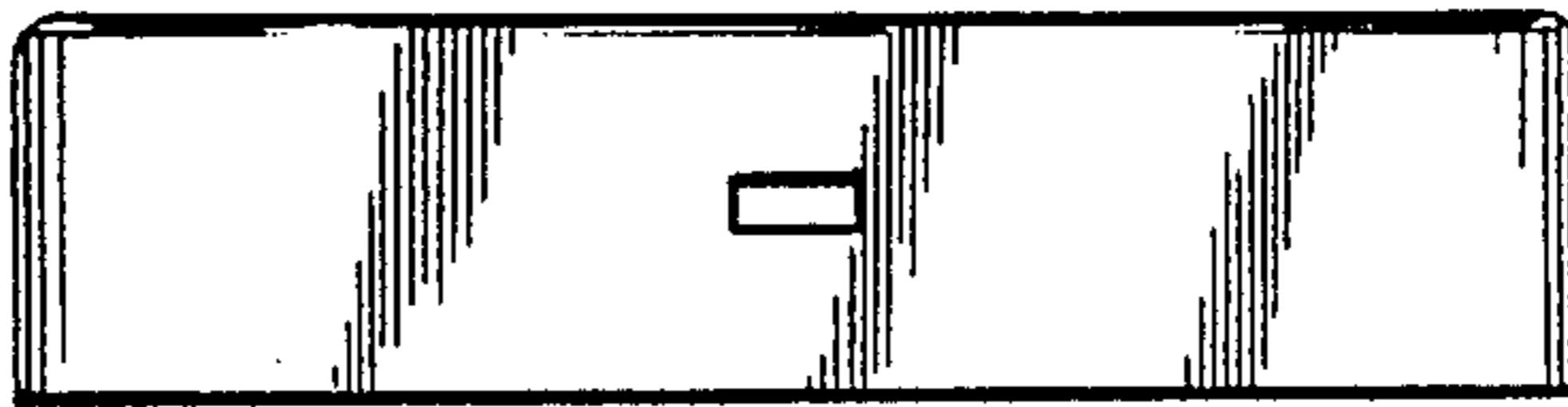


Fig. 2.



Fig. 3.

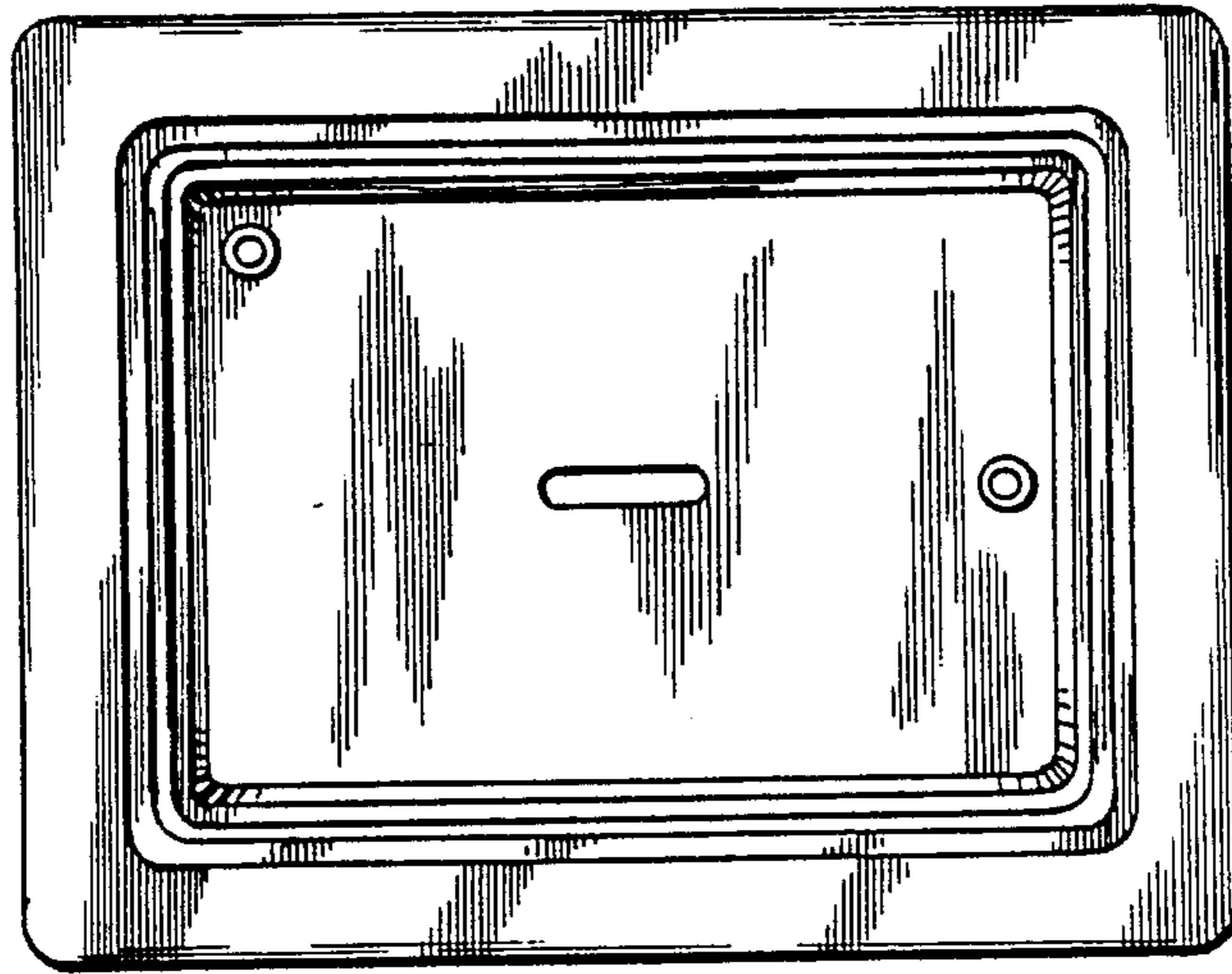


Fig. 4.

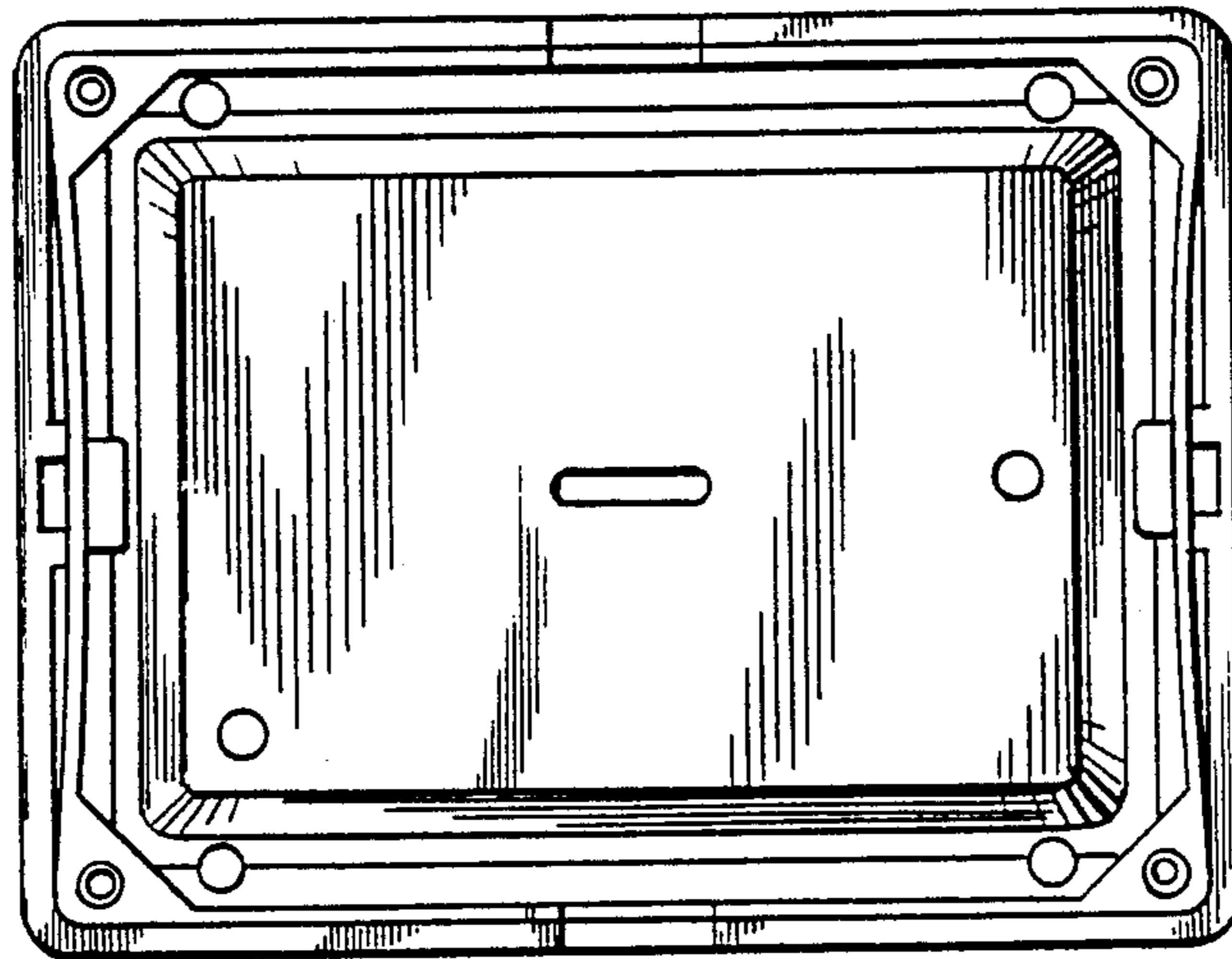


Fig. 5.