

[54] BABY WALKER

[75] Inventors: Alan Brownlie, Skaneateles, N.Y.;
Nathanael Saint, Morgantown;
Devon Siesholtz, Boyertown, both of
Pa.

[73] Assignee: Graco Children's Products, Inc.,
Elverson, Pa.

[**] Term: 14 Years

[21] Appl. No.: 887,391

[22] Filed: Jul. 21, 1986

[52] U.S. Cl. D12/130

[58] Field of Search D12/130; 280/87.02 W,
280/43.24, 302; 297/6, 5

[56] References Cited

U.S. PATENT DOCUMENTS

D. 164,748	4/1950	Webster	D6/338
D. 180,593	7/1957	Glass	D15/1
D. 240,518	7/1976	Ishida	D12/12
D. 249,669	9/1978	Kassai	D12/130
D. 254,610	4/1980	Kassai	D12/130
631,889	8/1899	Friedersdorff	297/136
1,518,671	12/1924	Novinsky	297/136

2,812,012	11/1957	Hansburg	297/137
3,155,426	11/1964	Rockwell	297/136
4,225,146	9/1980	Takeuchi	280/87.05
4,359,242	11/1982	Gerken et al.	297/5
4,364,576	12/1982	Kassai	297/136
4,433,869	2/1984	Payne, Jr., et al.	297/5
4,576,392	3/1986	Quinlan, Jr.	297/5
4,579,359	4/1986	Schwartz	280/87.02 W

Primary Examiner—James M. Gandy

Assistant Examiner—Kay H. Chin

Attorney, Agent, or Firm—Seidel, Gonda, Goldhammer
& Abbott

[57] CLAIM

The ornamental design for a baby walker, as shown and described.

DESCRIPTION

FIG. 1 is a perspective view of a baby walker showing our new design;
FIG. 2 is a left side elevation view thereof, the right side elevation view being a mirror image of that shown;
FIG. 3 is a top plan view thereof;
FIG. 4 is a bottom plan view thereof;
FIG. 5 is a front elevation view thereof; and
FIG. 6 is a rear elevation view thereof.

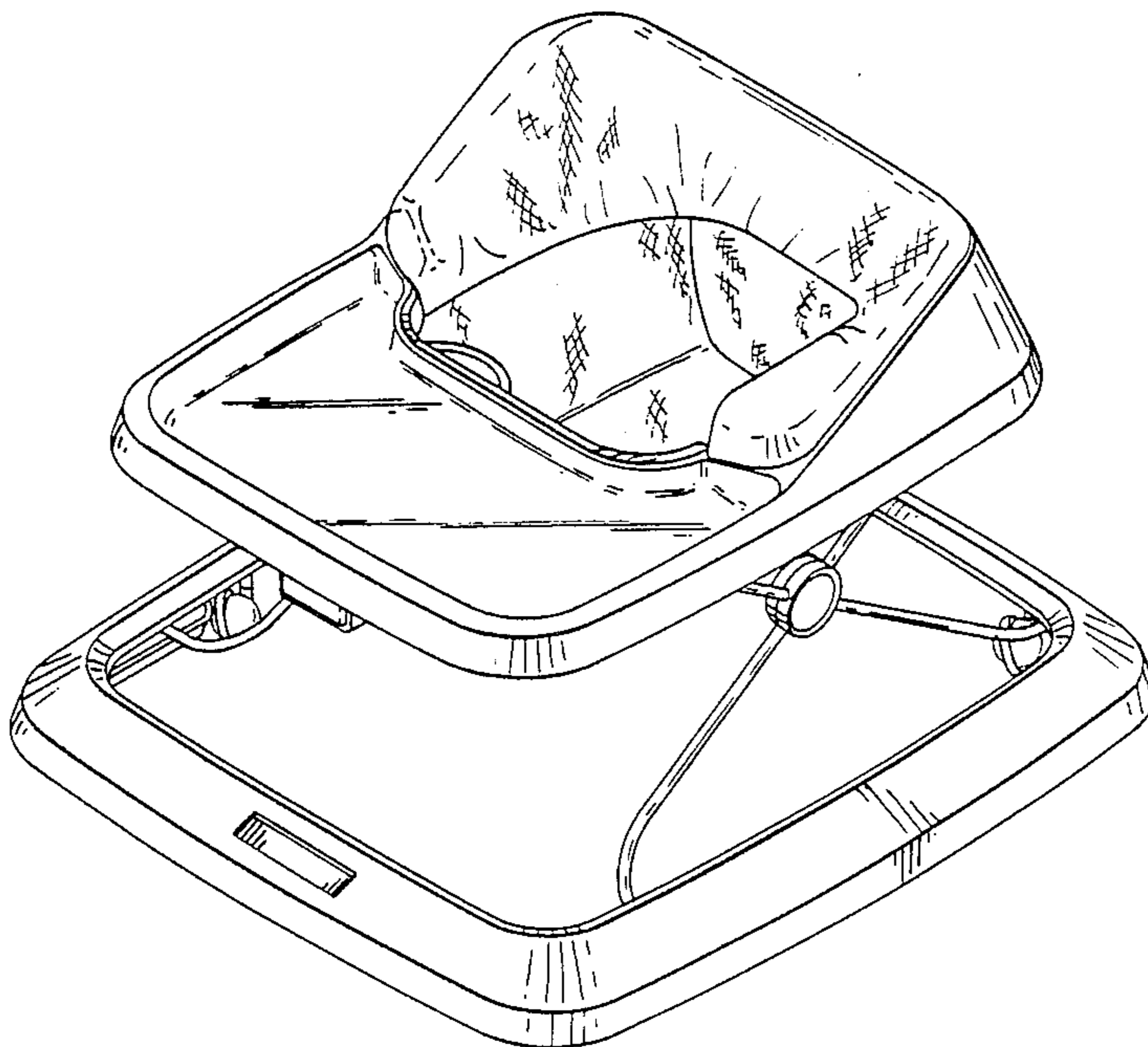


FIG. 1

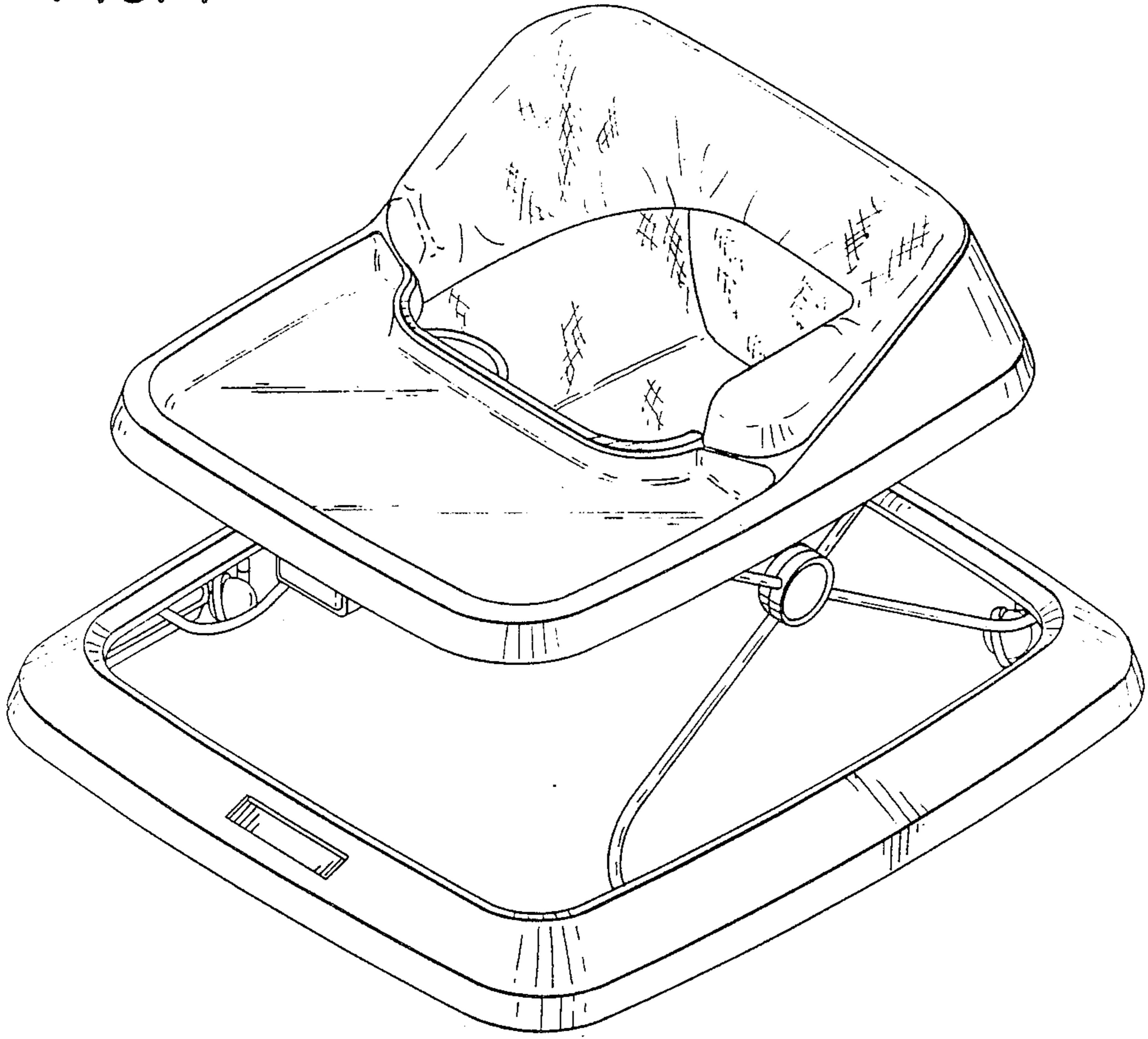
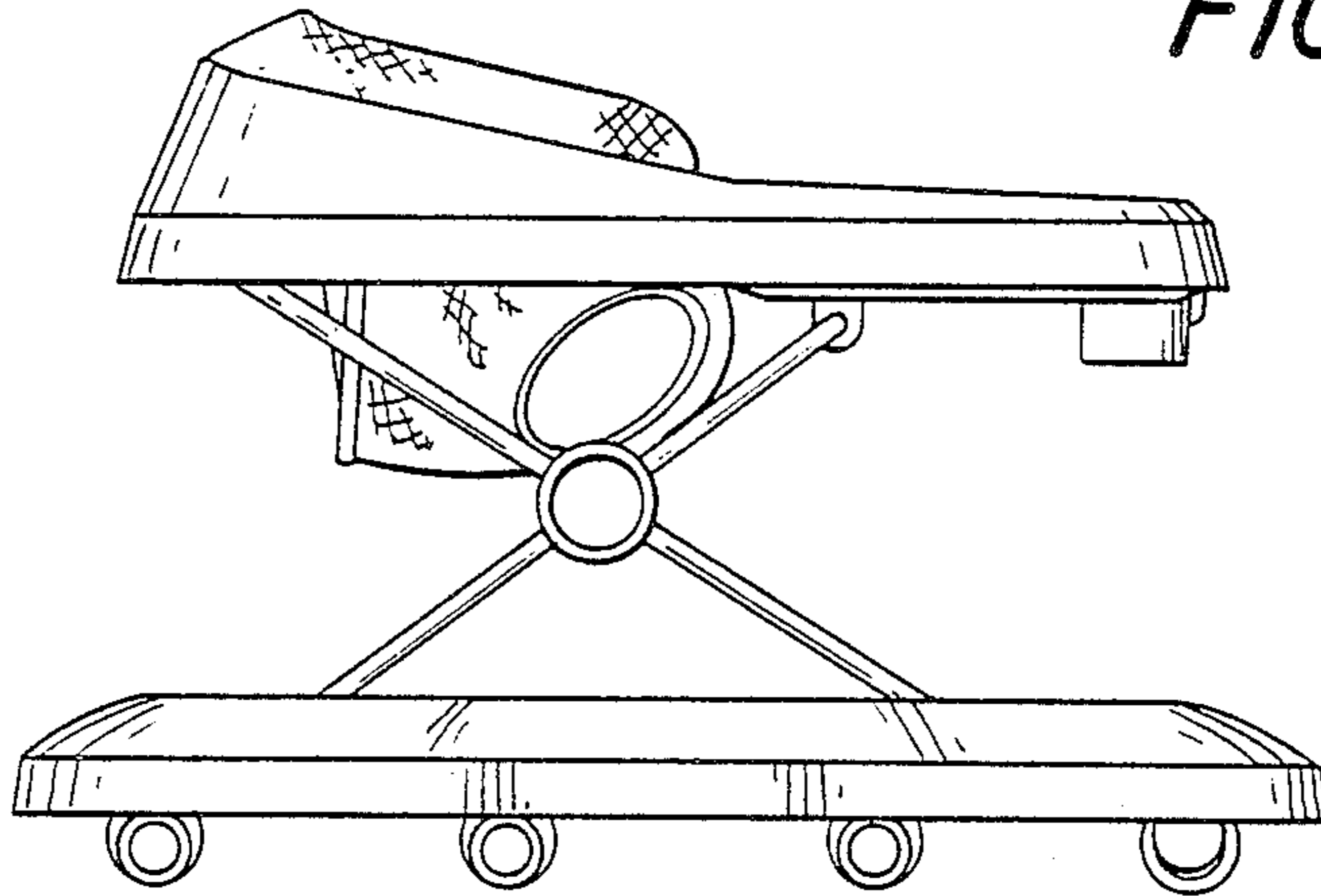


FIG. 2



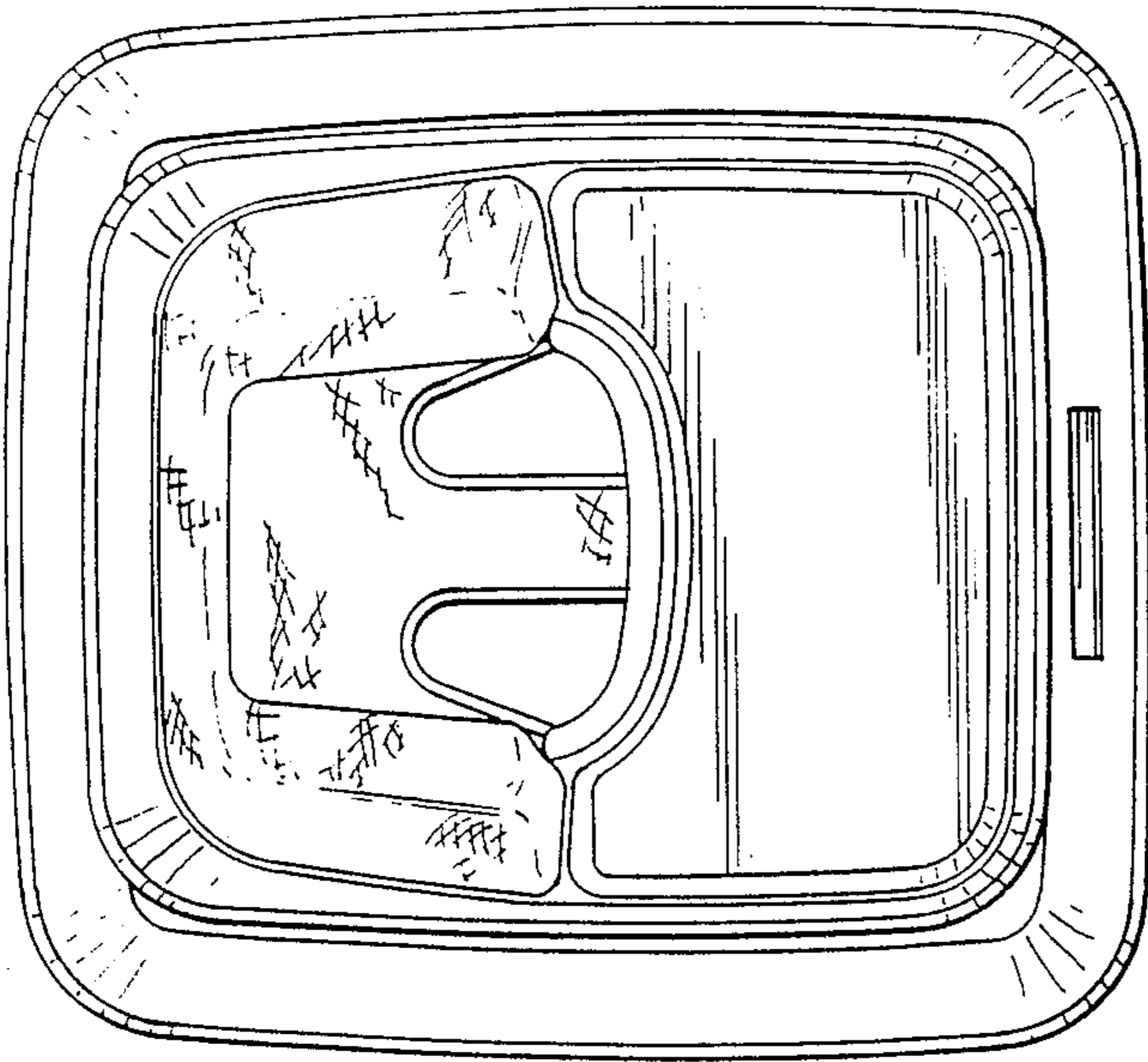


FIG. 3

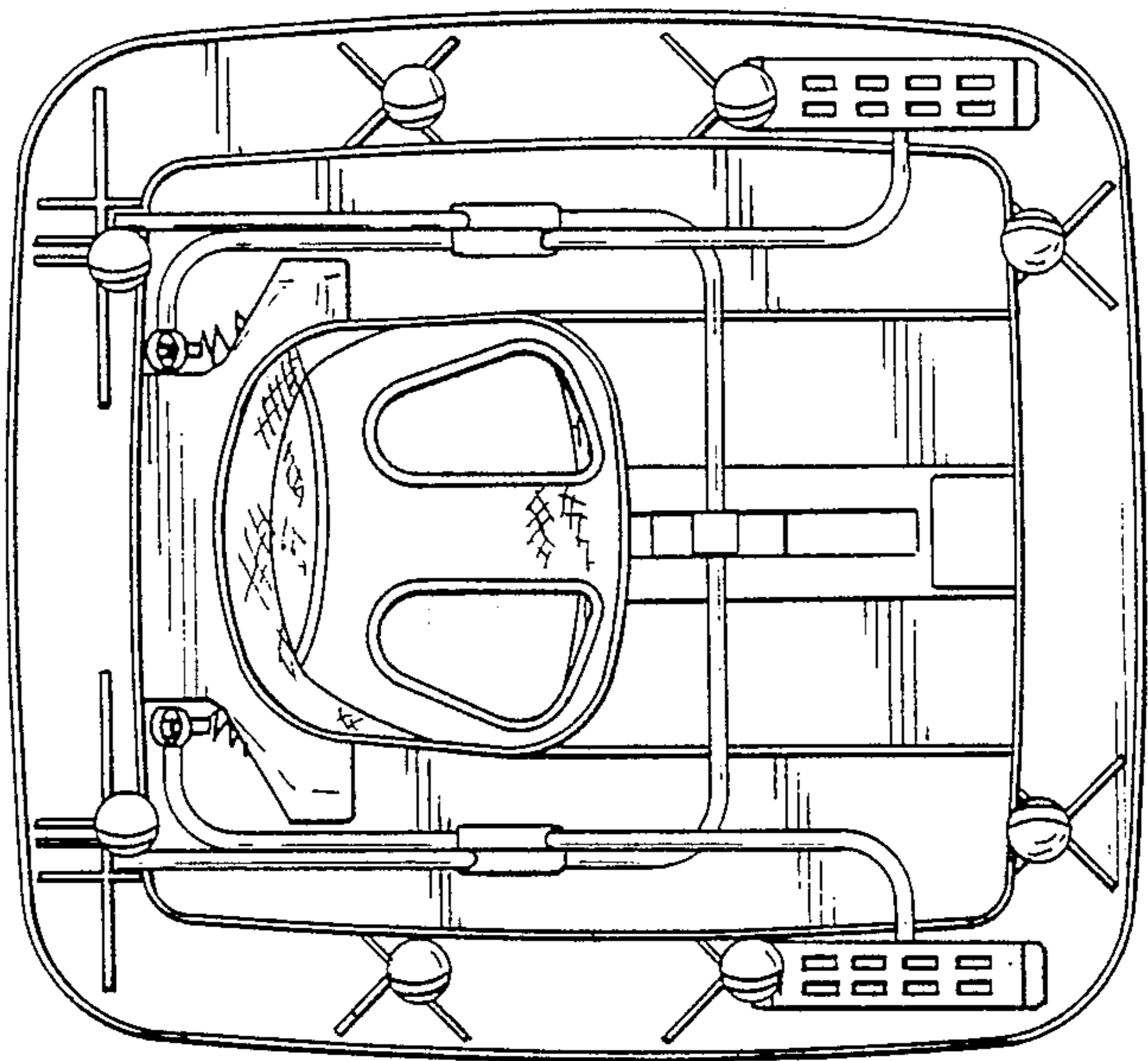


FIG. 4

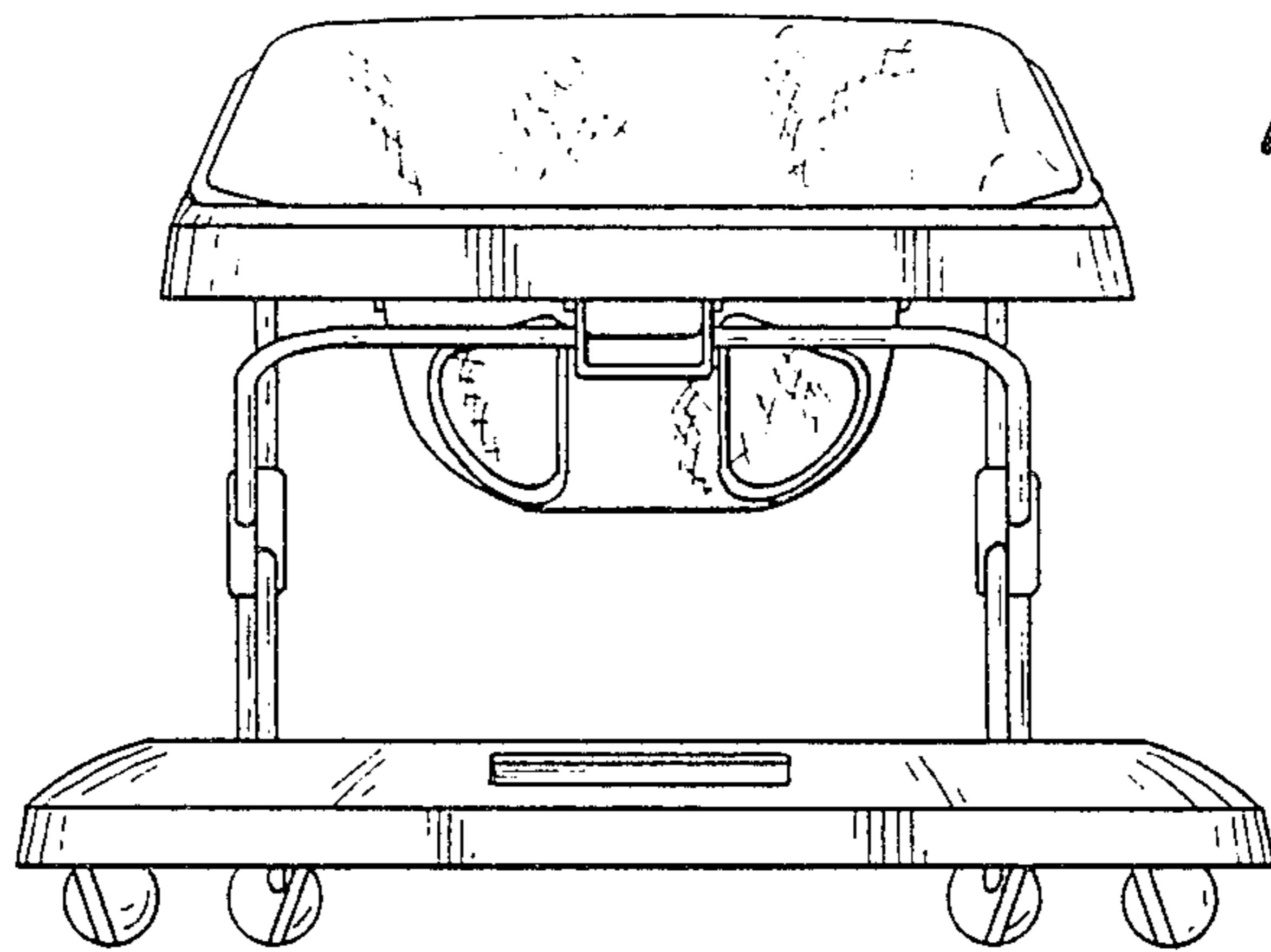


FIG. 5

FIG. 6

