

[54] THREE-WHEELED MOTORCYCLE

[75] Inventors: Kazuhiko Saito, Tokyo; Kazuhiko Yokoyama, Saitama; Shoji Yamamoto, Tokyo, all of Japan

[73] Assignee: Honda Giken Kogyo Kabushiki Kaisha, Tokyo, Japan

[\*\*] Term: 14 Years

[21] Appl. No.: 712,058

[22] Filed: Mar. 15, 1985

[30] Foreign Application Priority Data

Sep. 17, 1984 [JP] Japan ..... 59-38509  
[52] U.S. Cl. .... D12/110  
[58] Field of Search ..... D12/110; 180/215

[56] References Cited

U.S. PATENT DOCUMENTS

D. 267,792 2/1983 Ohba et al. .... D12/110  
D. 276,033 10/1984 Ohba et al. .... D12/110  
D. 287,835 1/1987 Makita et al. .... D12/110

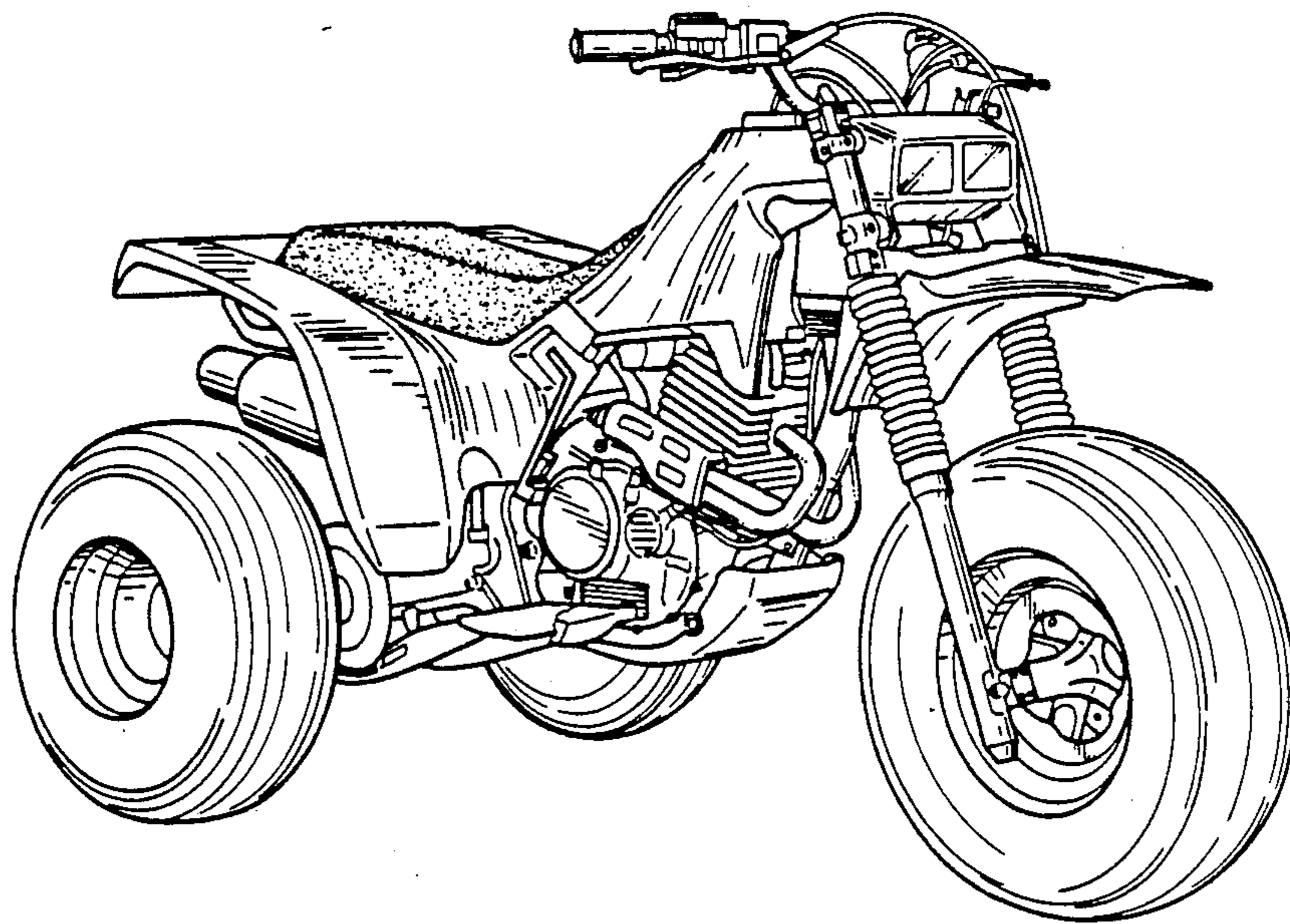
Primary Examiner—James M. Gandy  
Attorney, Agent, or Firm—Lyon & Lyon

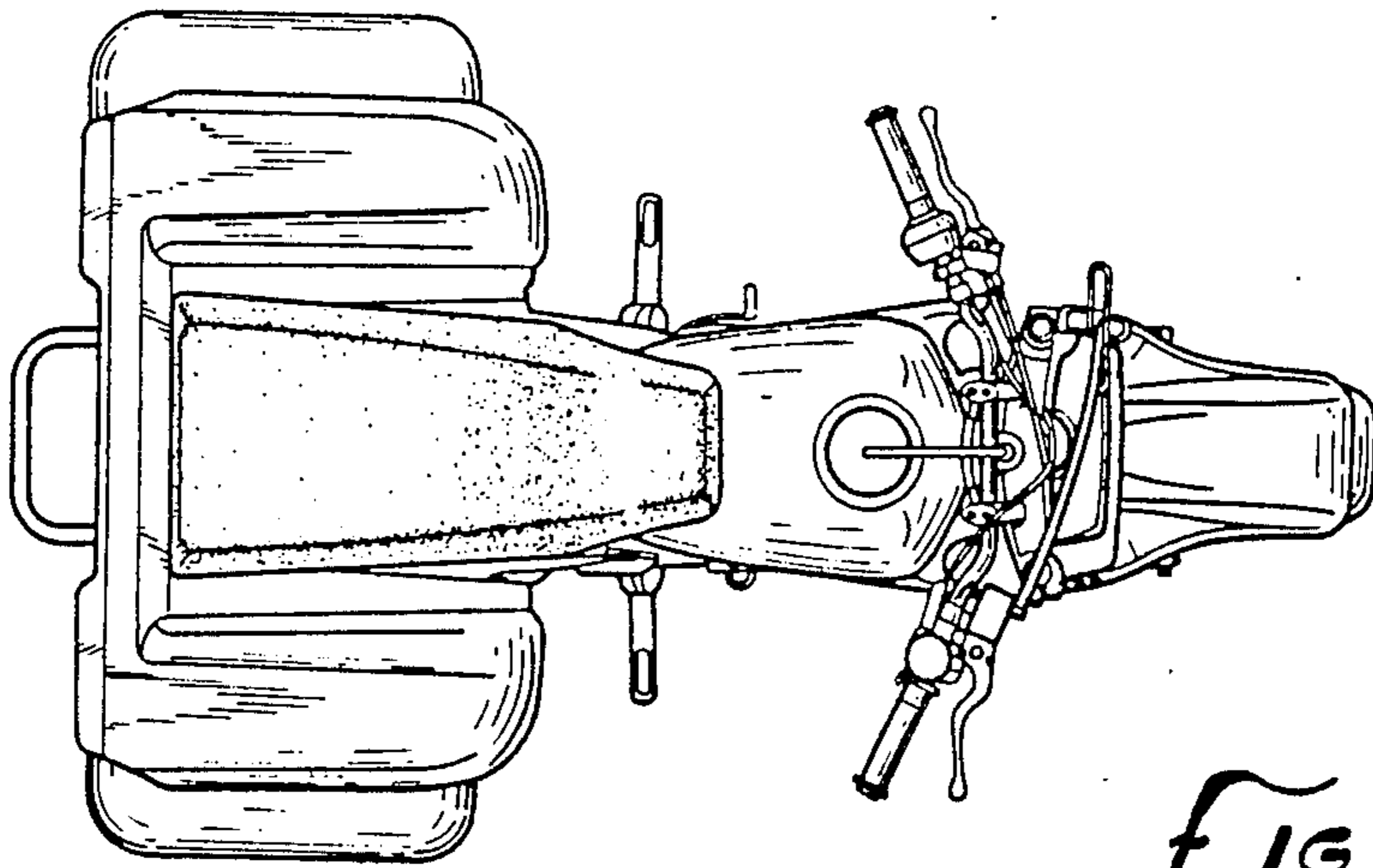
[57] CLAIM

The ornamental design for three-wheeled motorcycle, as shown.

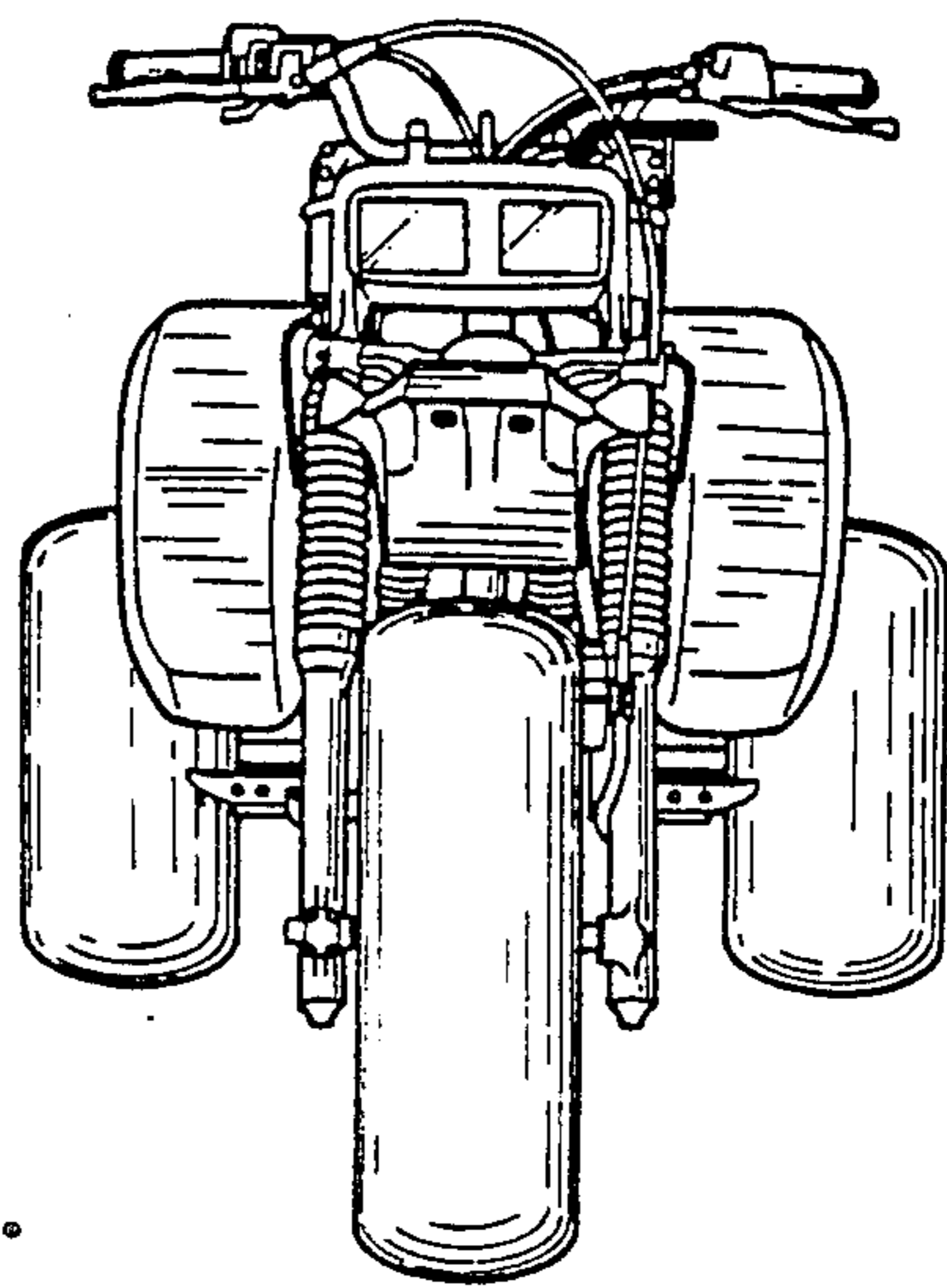
DESCRIPTION

FIG. 1 is a top plan view of a three-wheeled motorcycle showing our new design;  
FIG. 2 is a front perspective view thereof;  
FIG. 3 is a side elevation view of the left side thereof;  
FIG. 4 is a back perspective view thereof;  
FIG. 5 is a side elevation view of the right side thereof; and  
FIG. 6 is an oblique perspective view principally illustrating the right side thereof.





*FIG. 1.*



*FIG. 2.*

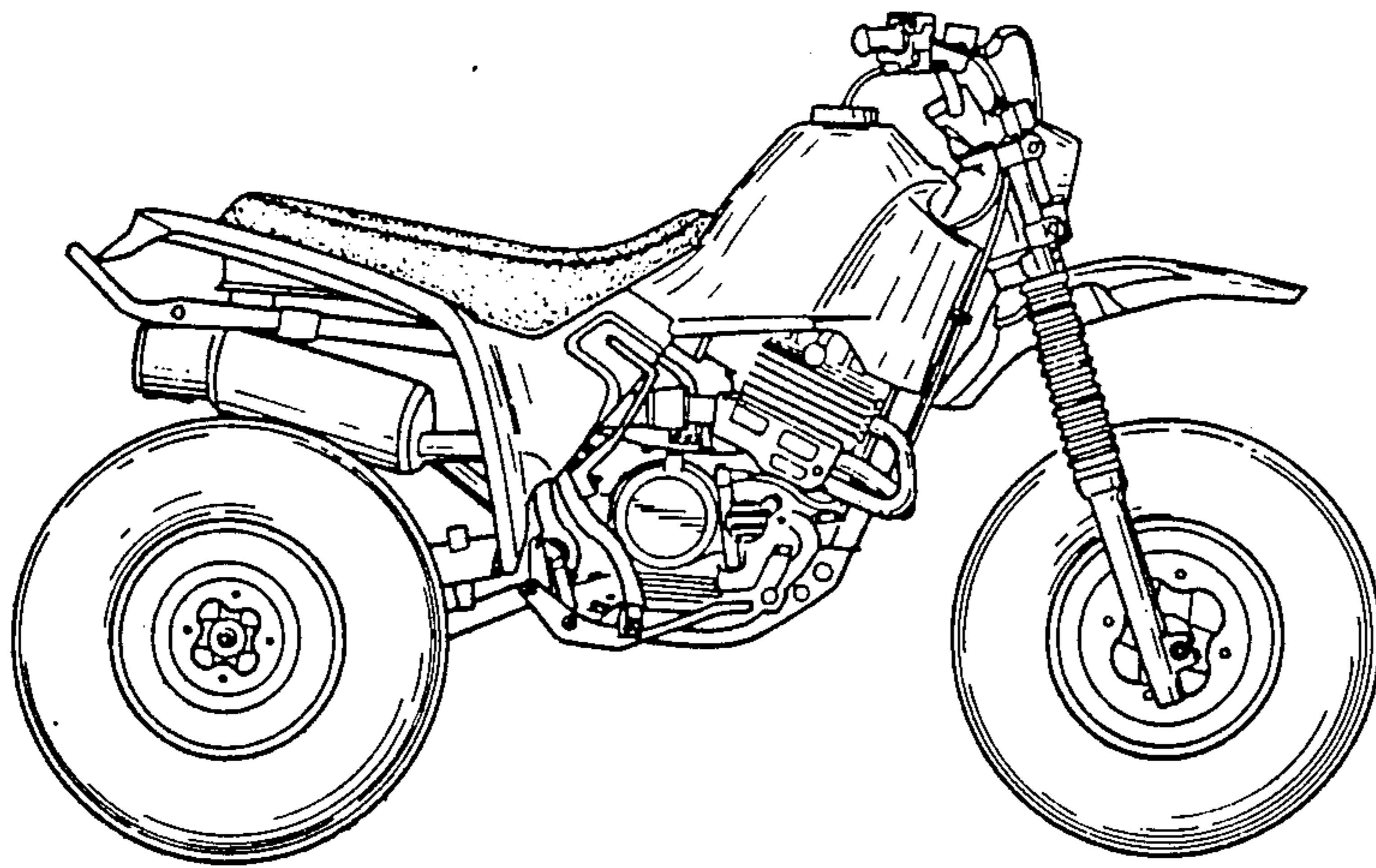


FIG. 5.

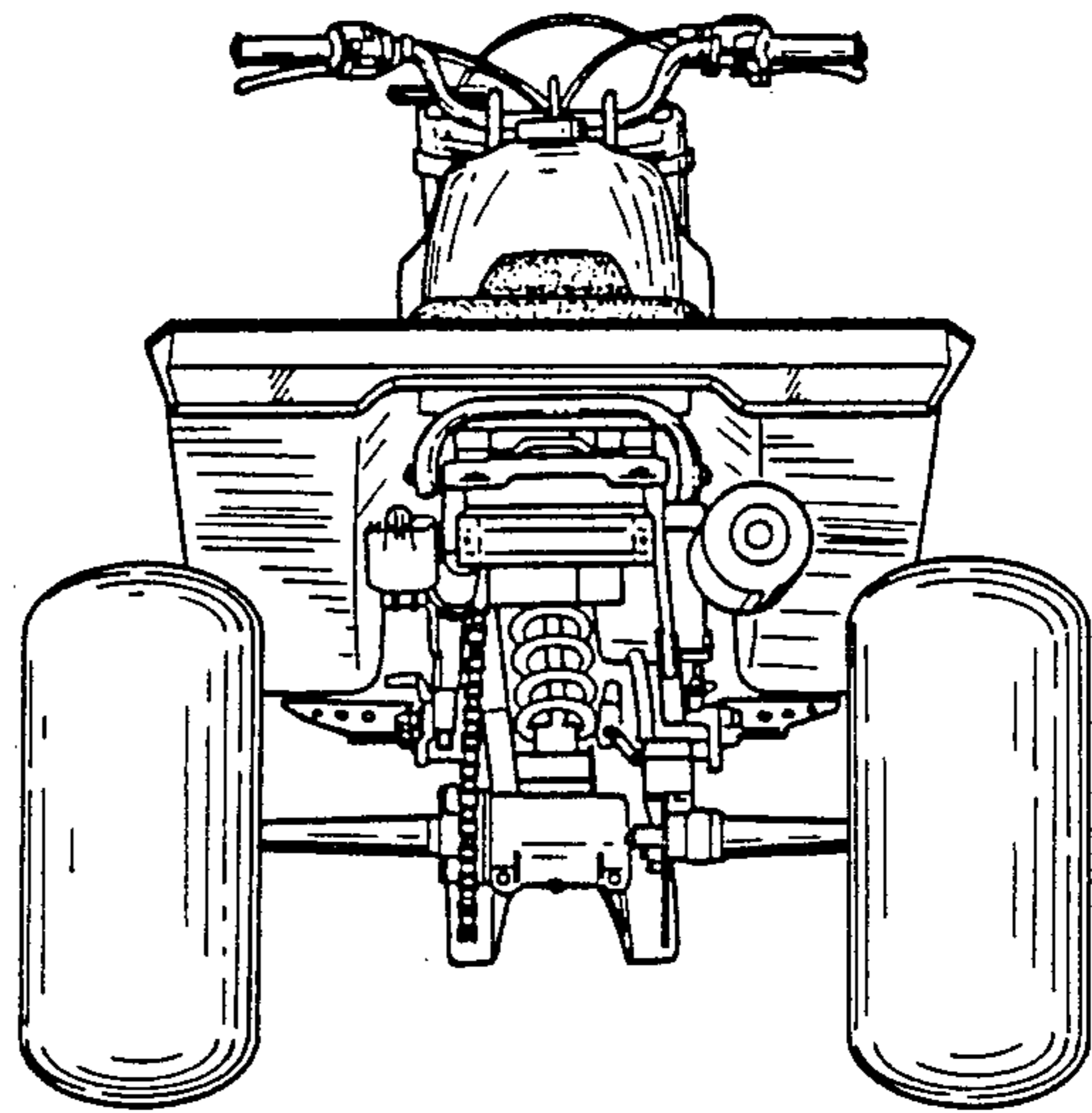


FIG. 4.

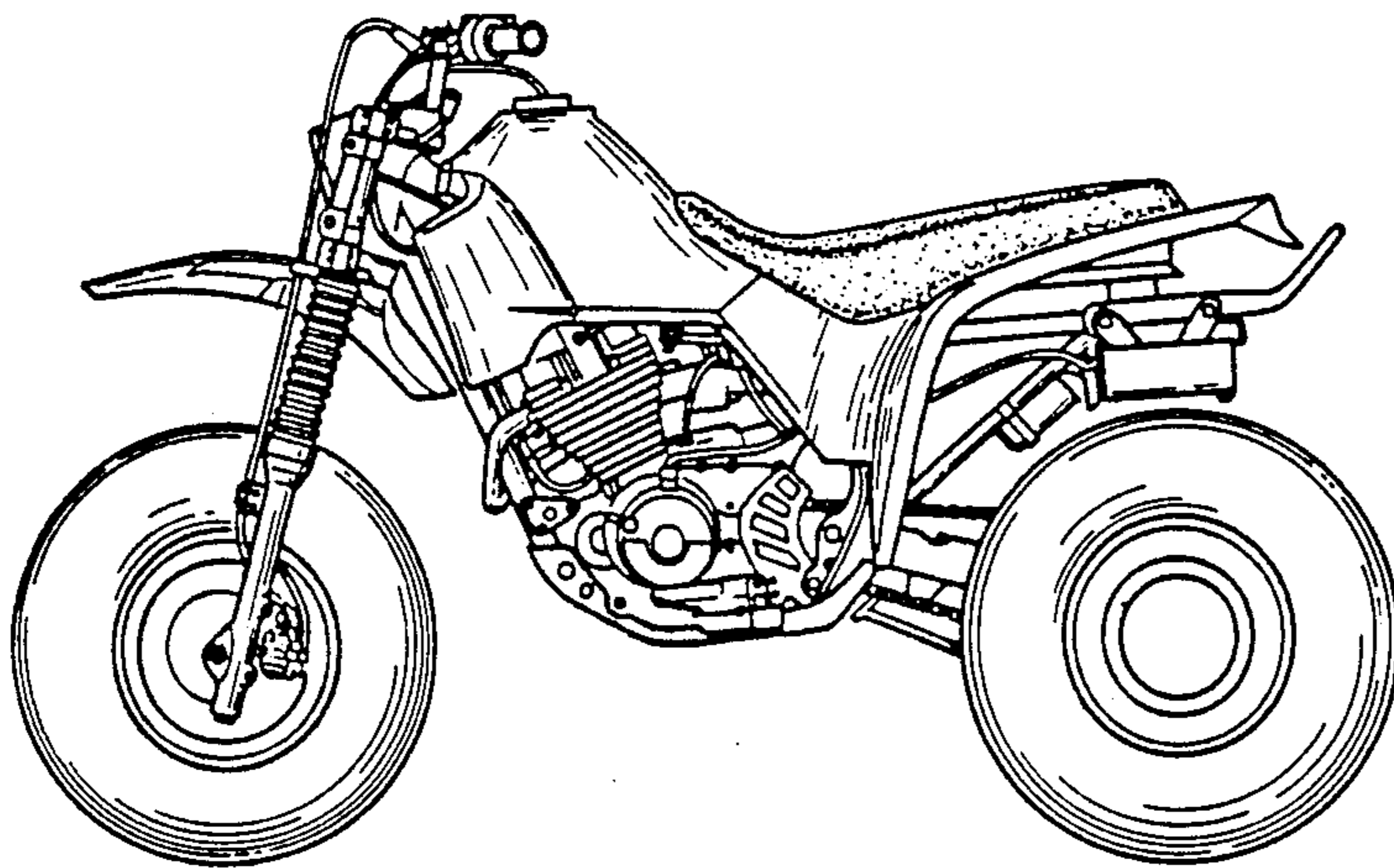
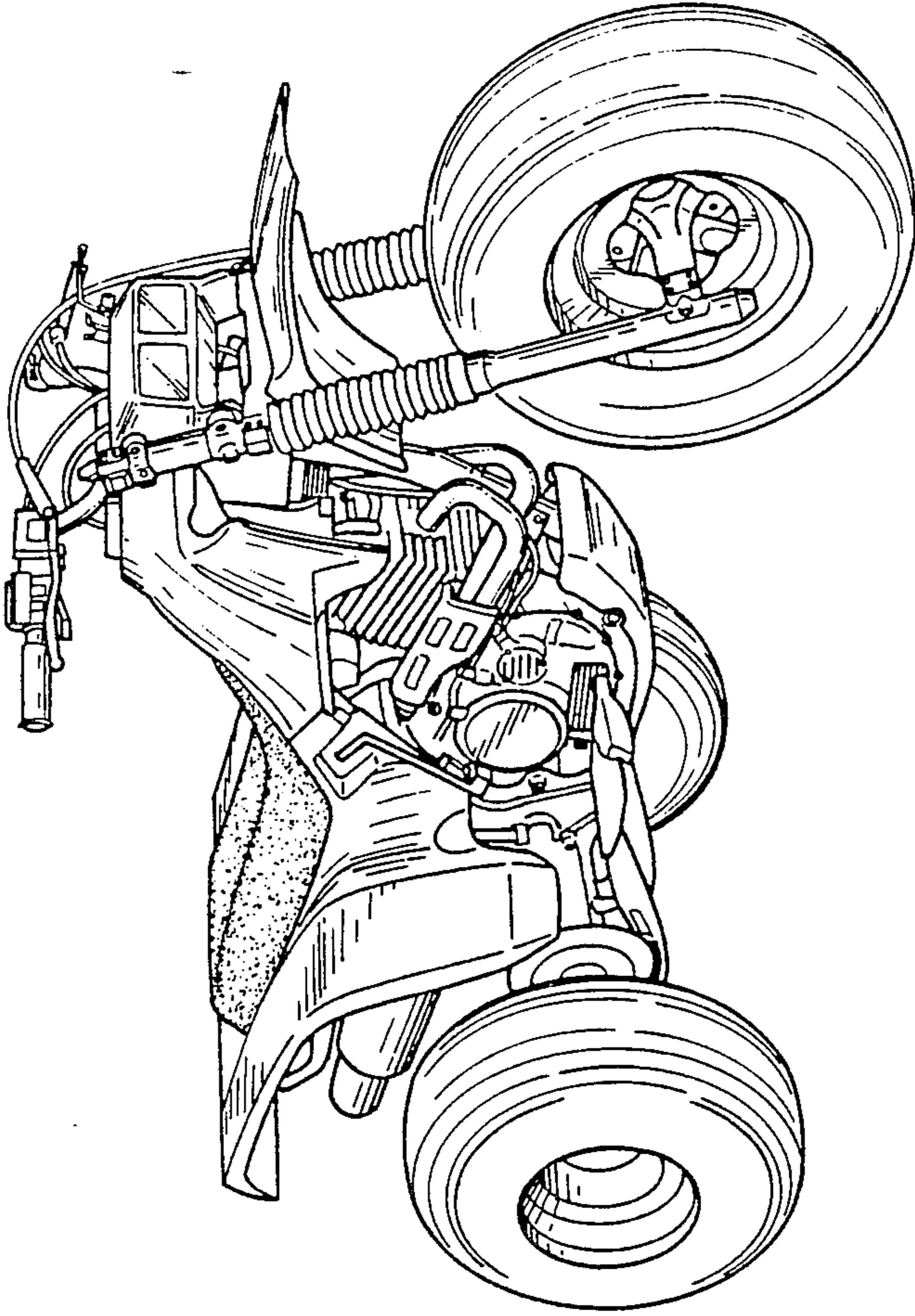


FIG. 3.





*FIG. 6.*