

[54] TRUCK

[75] Inventor: Ryoichi Soma, Hiroshima, Japan

[73] Assignee: Mazda Motor Corporation, Hiroshima, Japan

[**] Term: 14 Years

[21] Appl. No.: 758,020

[22] Filed: Jul. 24, 1985

[52] U.S. Cl. D12/98

[58] Field of Search D12/98; 296/183

[56] References Cited
PUBLICATIONS

Road & Track, 2/84, inside rear cover, Toyota four-wheel drive truck.

Motor Trend, 2/84, pp. 20 & 21, Mazda B2000 SE-5 pickup truck.

Motor Trend, 10/83, p. 119, Isuzu pup pickup truck.

Road & Track, 3/84, p. 111, Isuzu pickup truck.

Catalog, Chevrolet S-10 pickup truck, Aug. 1984.

Primary Examiner—James M. Gandy

Attorney, Agent, or Firm—Sughrue, Mion, Zinn, Macpeak & Seas

[57] CLAIM

The ornamental design for a truck, as shown.

DESCRIPTION

FIG. 1 is a front and right side perspective view of a truck showing my new design;

FIG. 2 is a right side perspective view thereof;

FIG. 3 is a left side perspective view thereof;

FIG. 4 is a front perspective view thereof;

FIG. 5 is a rear perspective view thereof; and

FIG. 6 is a top plan view thereof.

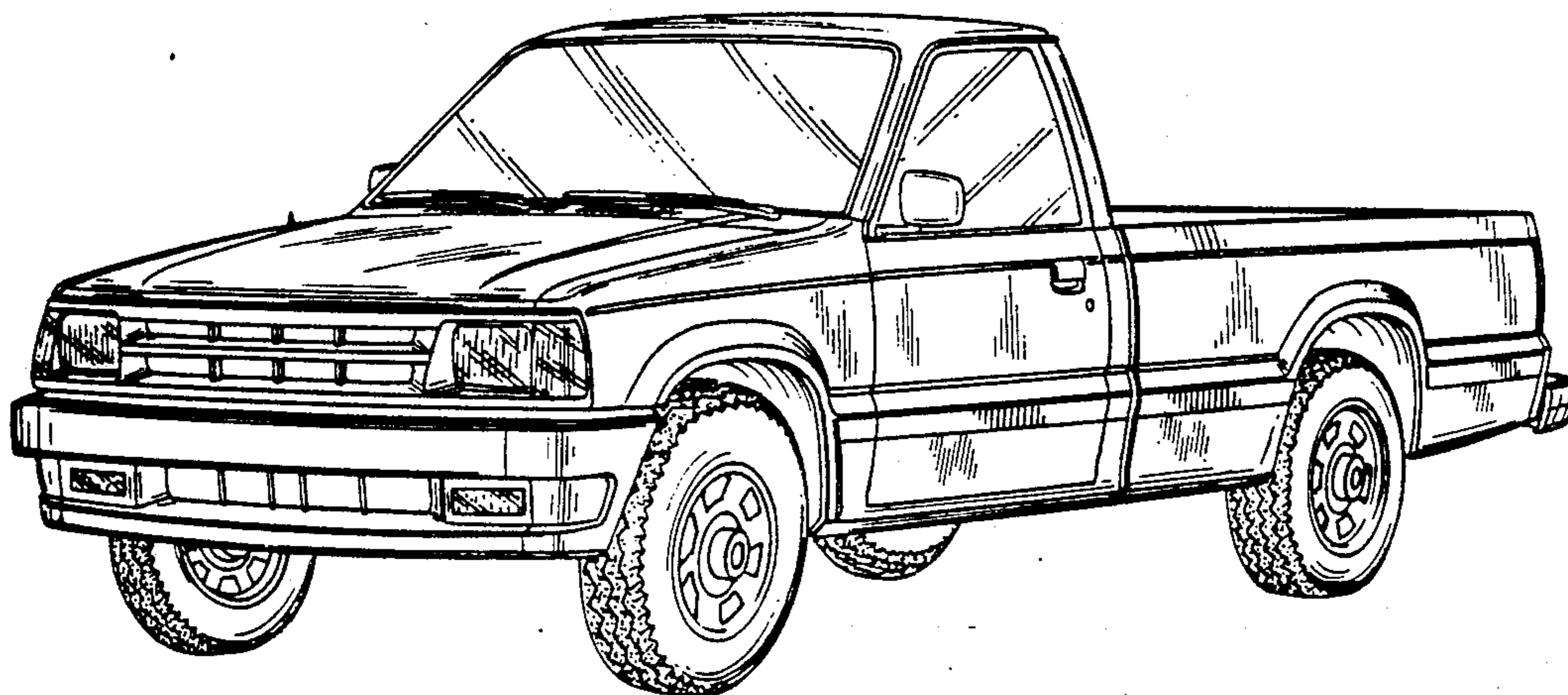


FIG. 1

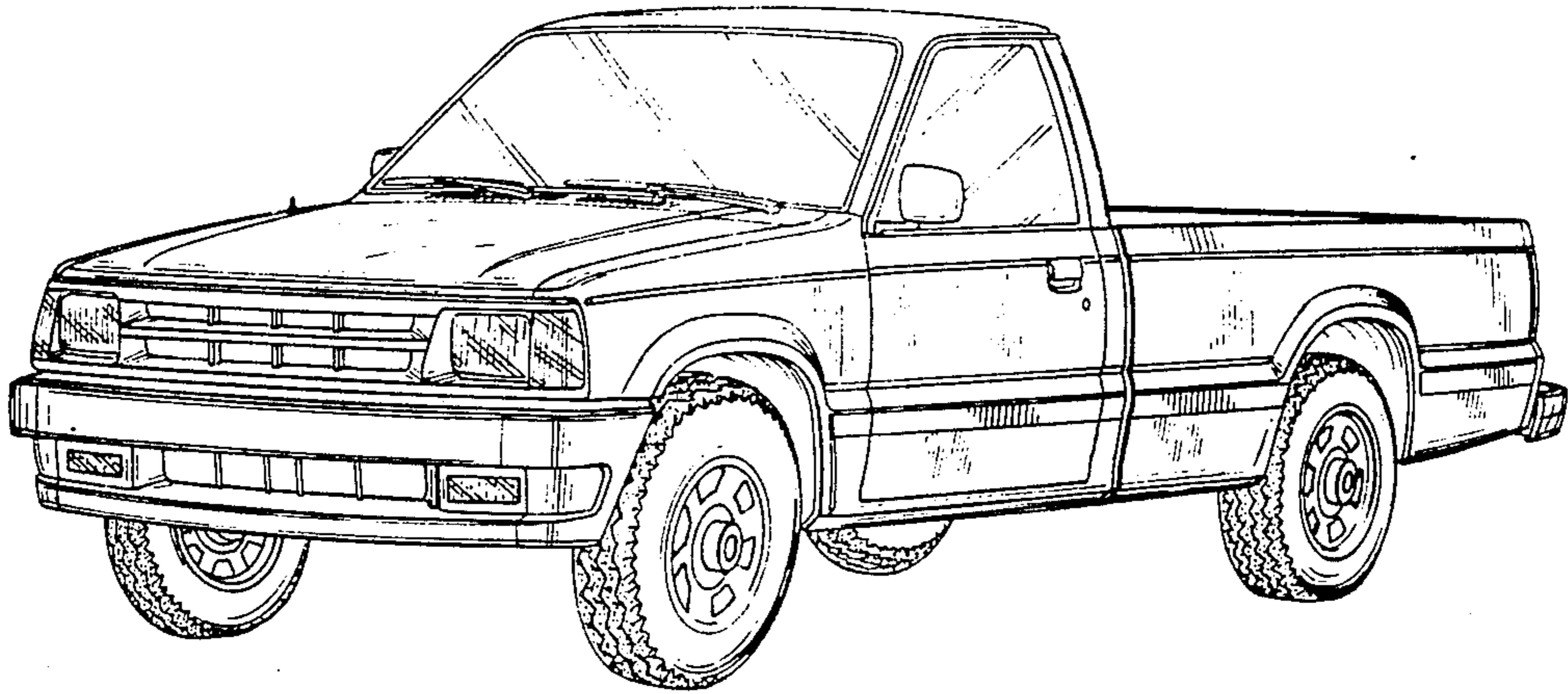


FIG. 2

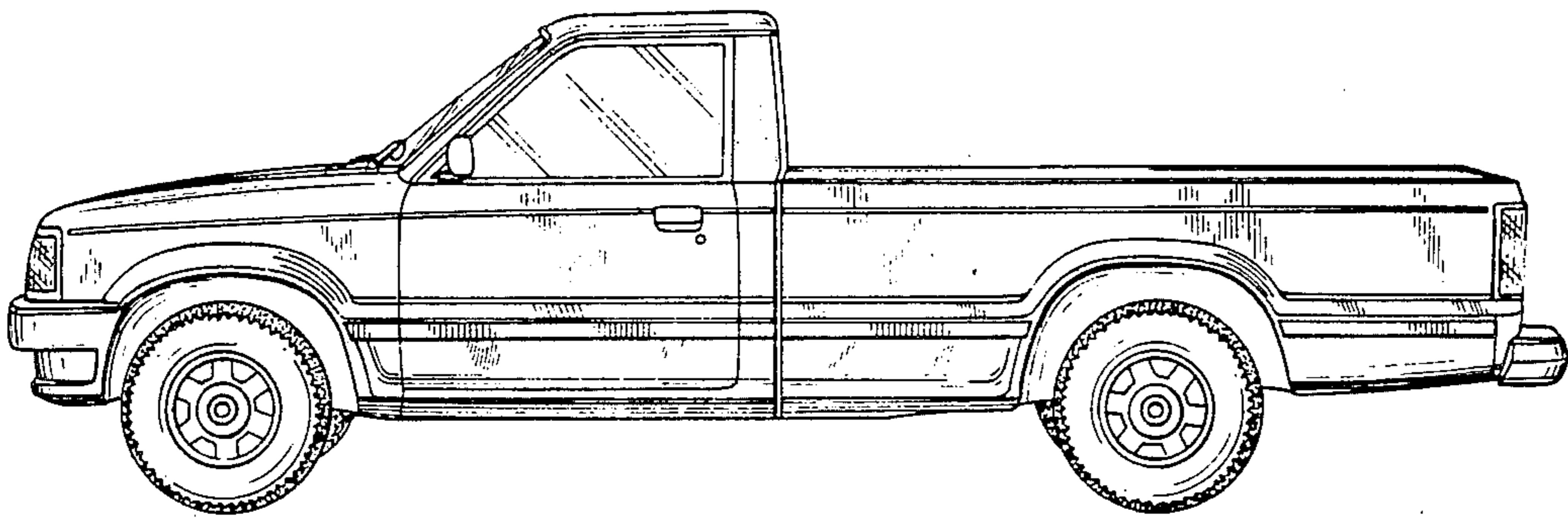


FIG. 3

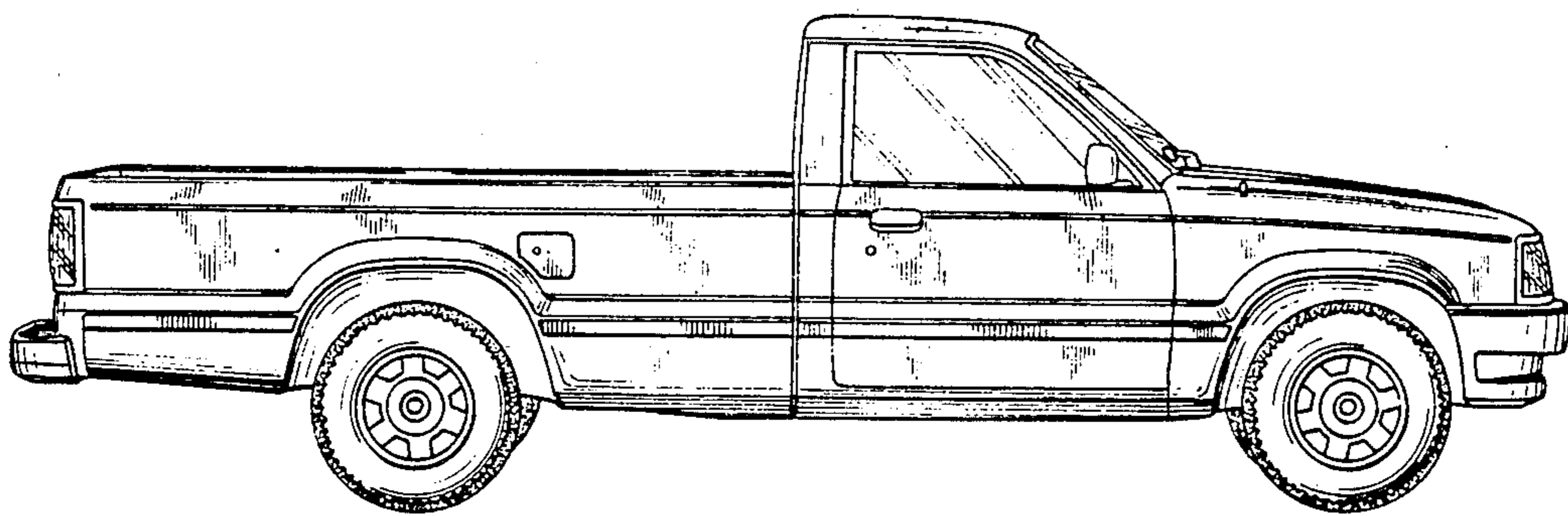


FIG. 4

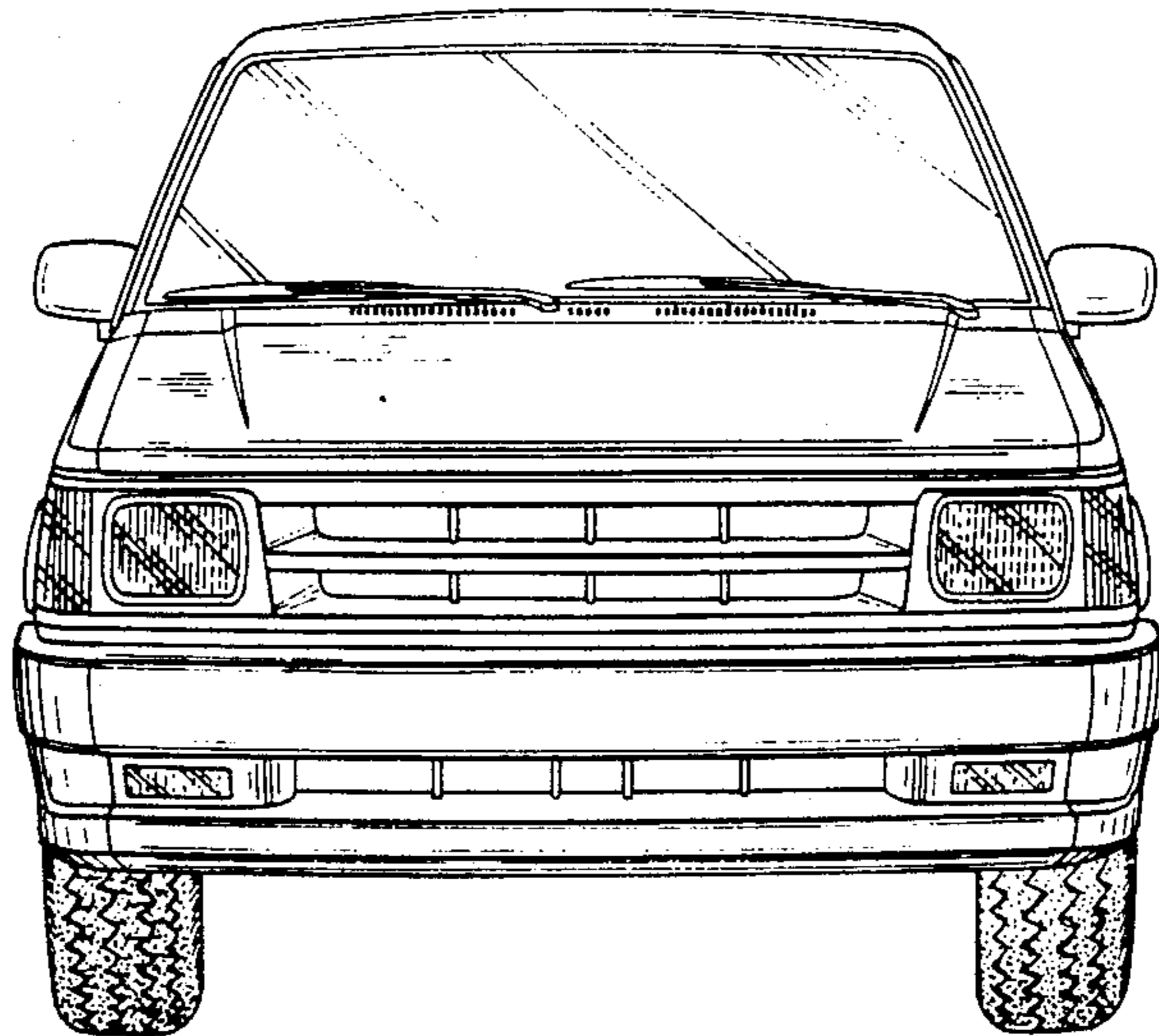


FIG. 5

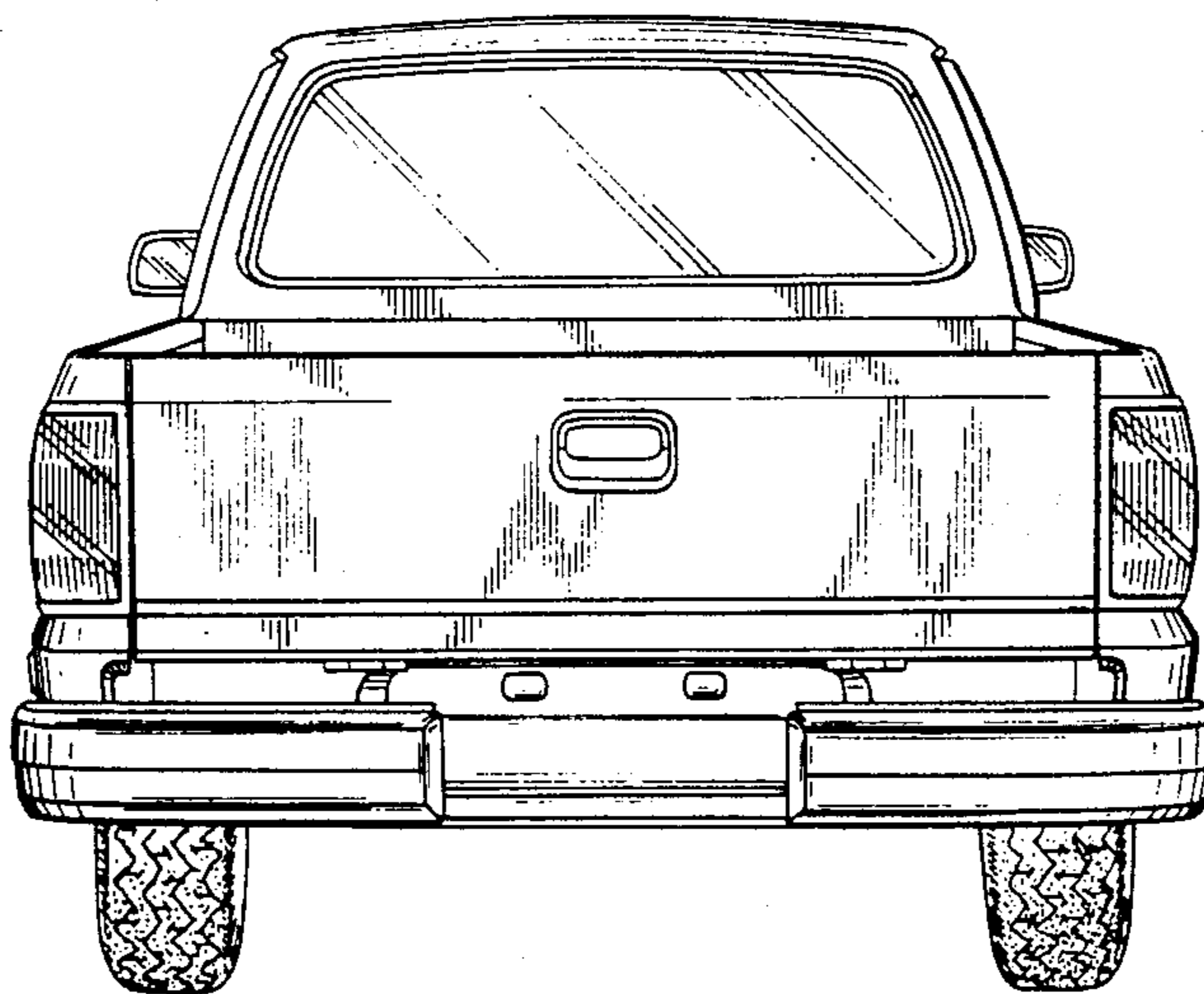


FIG. 6

