

[54] COMMEMORATIVE WALL PLAQUE

4,454,204 6/1984 Posey D11/157 X

[76] Inventors: Gregory J. Maddox, 502 Regent; R. J. Maddox, 711 NW. 10th St., both of Ardmore, Okla. 73401

[**] Term: 14 Years

[21] Appl. No.: 766,975

[22] Filed: Aug. 19, 1985

[52] U.S. Cl. D11/133; D6/303

[58] Field of Search D11/131-133, D11/140, 157, 232, 238, 125, 172; D6/303-305, 301, 302; D20/29; D7/5; 424/11-16

[56] References Cited

U.S. PATENT DOCUMENTS

- D. 259,611 6/1981 Martin D6/303
- D. 265,473 7/1982 Ornatek D11/172
- D. 290,428 6/1987 Johnson D6/301

OTHER PUBLICATIONS

The Alexandria Gazette, Tues., 8/2/83, p. 7—soccer ball clock plaque at bottom center.

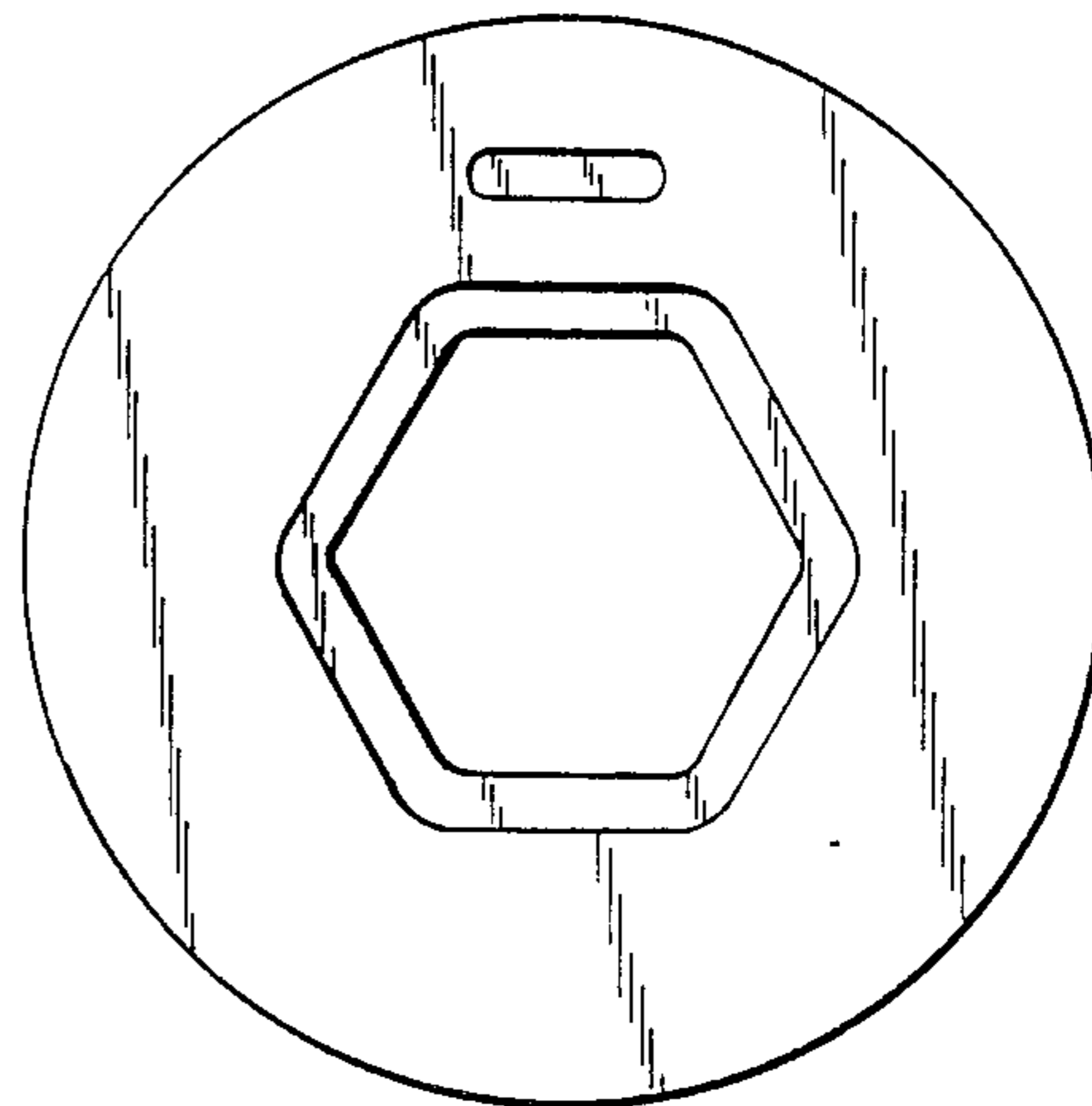
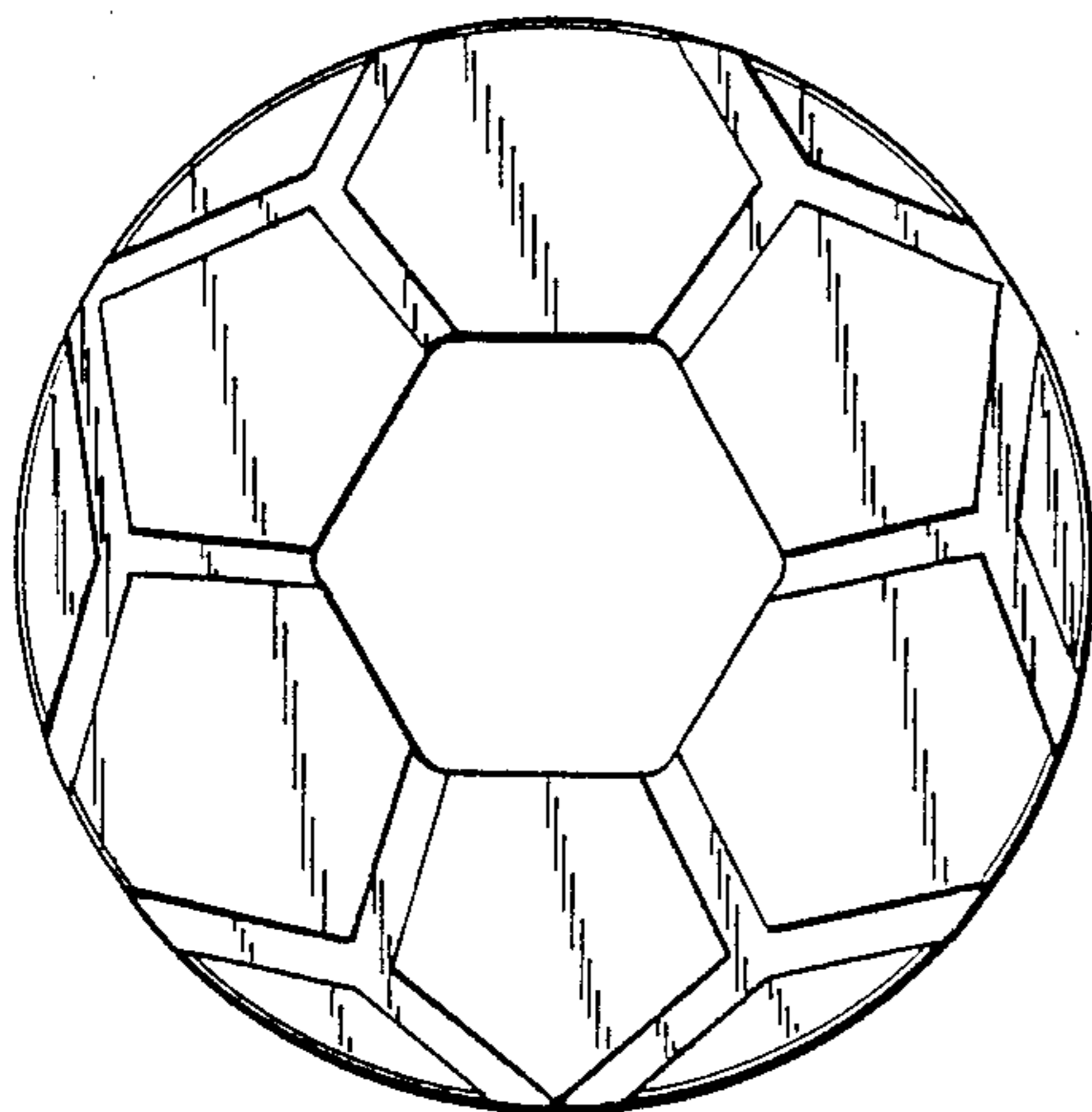
Primary Examiner—Louis S. Zarfes
Attorney, Agent, or Firm—Dunlap, Coddling & Peterson

[57] CLAIM

The ornamental design for a commemorative wall plaque, as shown and described.

DESCRIPTION

FIG. 1 is a front elevational view of a commemorative wall plaque showing our new design; FIG. 2 is a rear elevational view; FIG. 3 is a left side elevational view; FIG. 4 is a right side elevational view; FIG. 5 is a top plan view; and FIG. 6 is a bottom plan view.



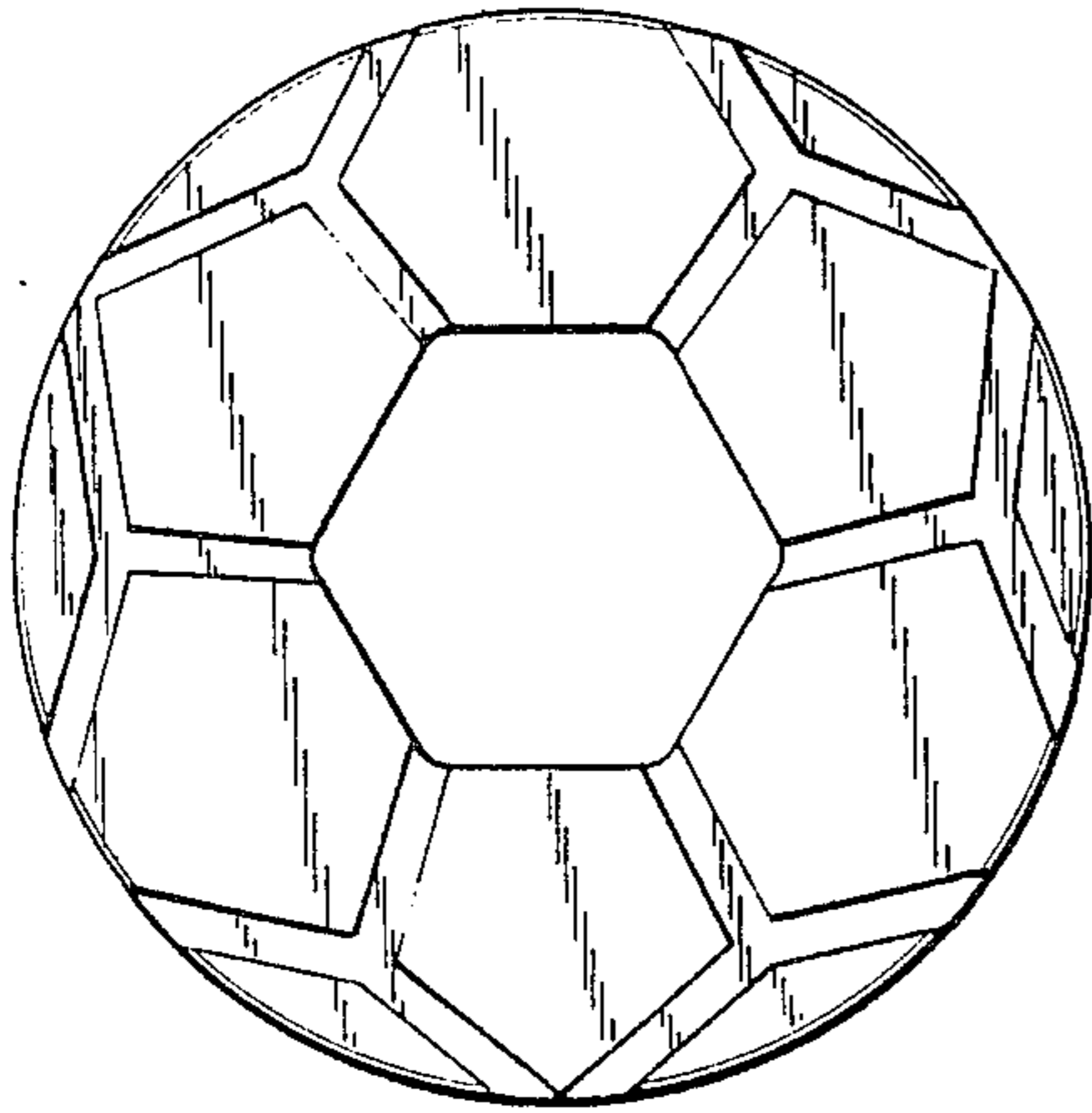


FIG. 1

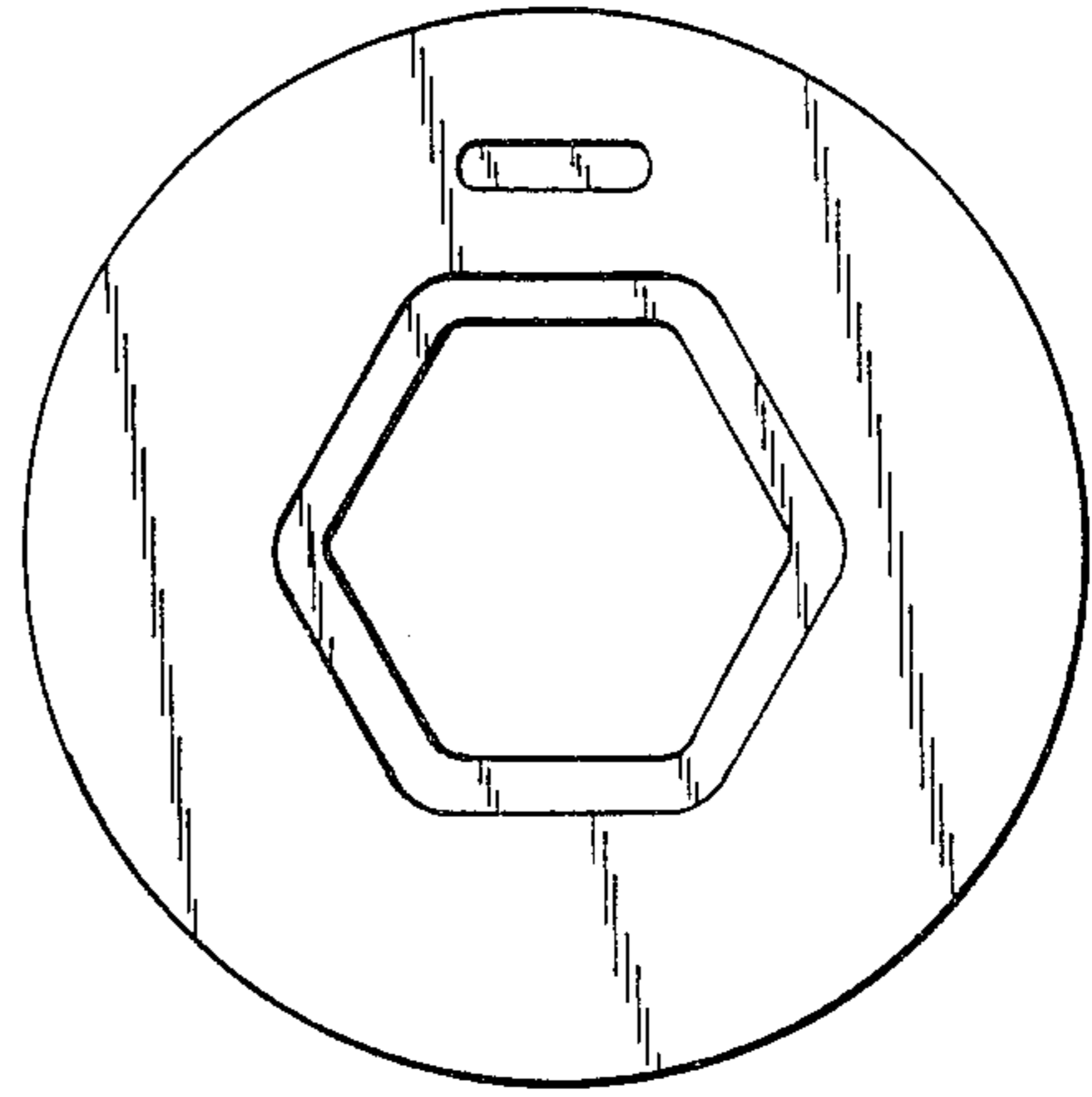


FIG. 2

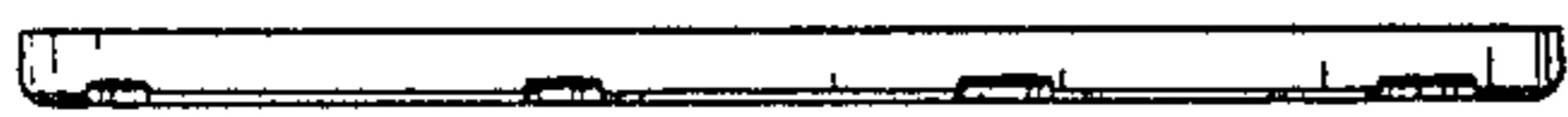


FIG. 3

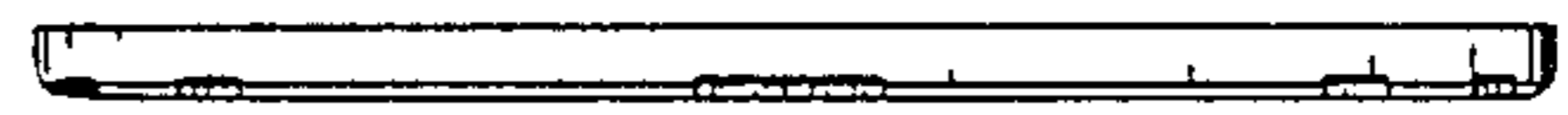


FIG. 4



FIG. 5



FIG. 6