

[54] DISPENSING CAP FOR A MEDICAL FLUID CONTAINER

2,908,609 10/1959 Aterno et al. D24/63 X
3,083,877 4/1963 Gash D24/63 X

[75] Inventors: Robert A. Virag, Libertyville;
Michael W. Scharf, McHenry, both
of Ill.

[73] Assignee: Baxter Travenol Laboratories, Inc.,
Deerfield, Ill.

[**] Term: 14 Years

[21] Appl. No.: 748,514

[22] Filed: Jun. 25, 1985

[52] U.S. Cl. D9/447; D9/453

[58] Field of Search D9/435, 447, 453, 454,
D9/443, 302; 24/63, 99; 222/566, 567, 568;
215/200

[56] References Cited

U.S. PATENT DOCUMENTS

- D. 160,491 10/1950 Goldman D9/443
- D. 230,570 3/1974 Hall D9/302
- D. 268,650 4/1983 Kirstine D9/453
- D. 271,750 12/1983 Karosi D9/338 X
- 884,761 4/1908 Richard D9/447 X
- 2,783,919 3/1957 Ansell D9/447 X

OTHER PUBLICATIONS

Freund Can Company 1964 catalog, p. 10, item 6220,
can cap at top of page.

Primary Examiner—Robert C. Spangler
Attorney, Agent, or Firm—Bradford R. L. Price; Mary
R. Jankousky; Paul C. Flattery

[57] CLAIM

The ornamental design for a dispensing cap for a medi-
cal fluid container, substantially as shown and de-
scribed.

DESCRIPTION

FIG. 1 is a top perspective view of a dispensing cap for
a medical fluid container showing our new design;
FIG. 2 is a side elevational view on a reduced scale with
a container being shown in broken lines to illustrate
environmental use only;
FIG. 3 is a medial, vertical sectional view on the same
scale as FIG. 1;
FIG. 4 is a bottom perspective view thereof;
FIG. 5 is a top plan view thereof; and
FIG. 6 is a bottom plan view thereof.

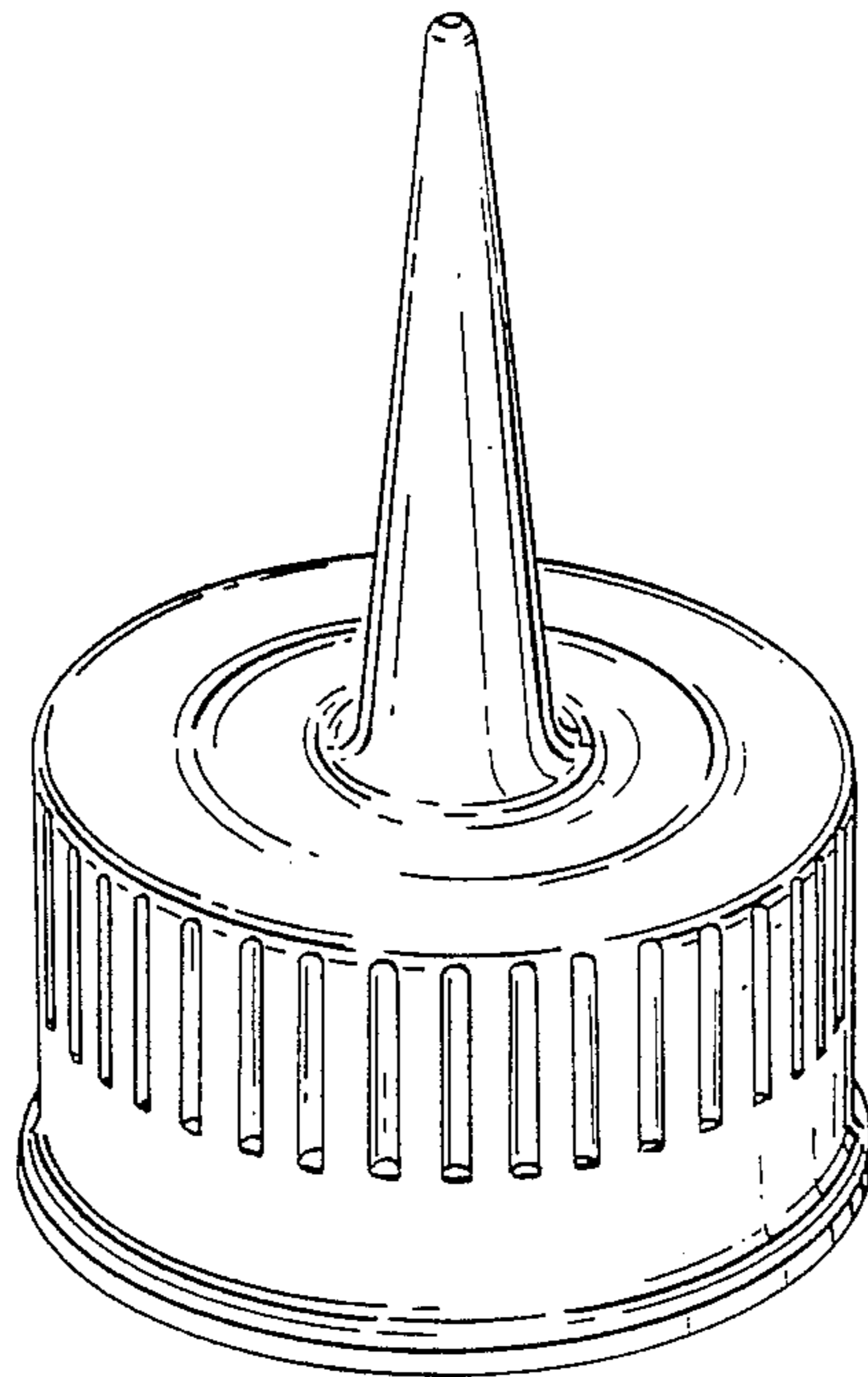


FIG. 1

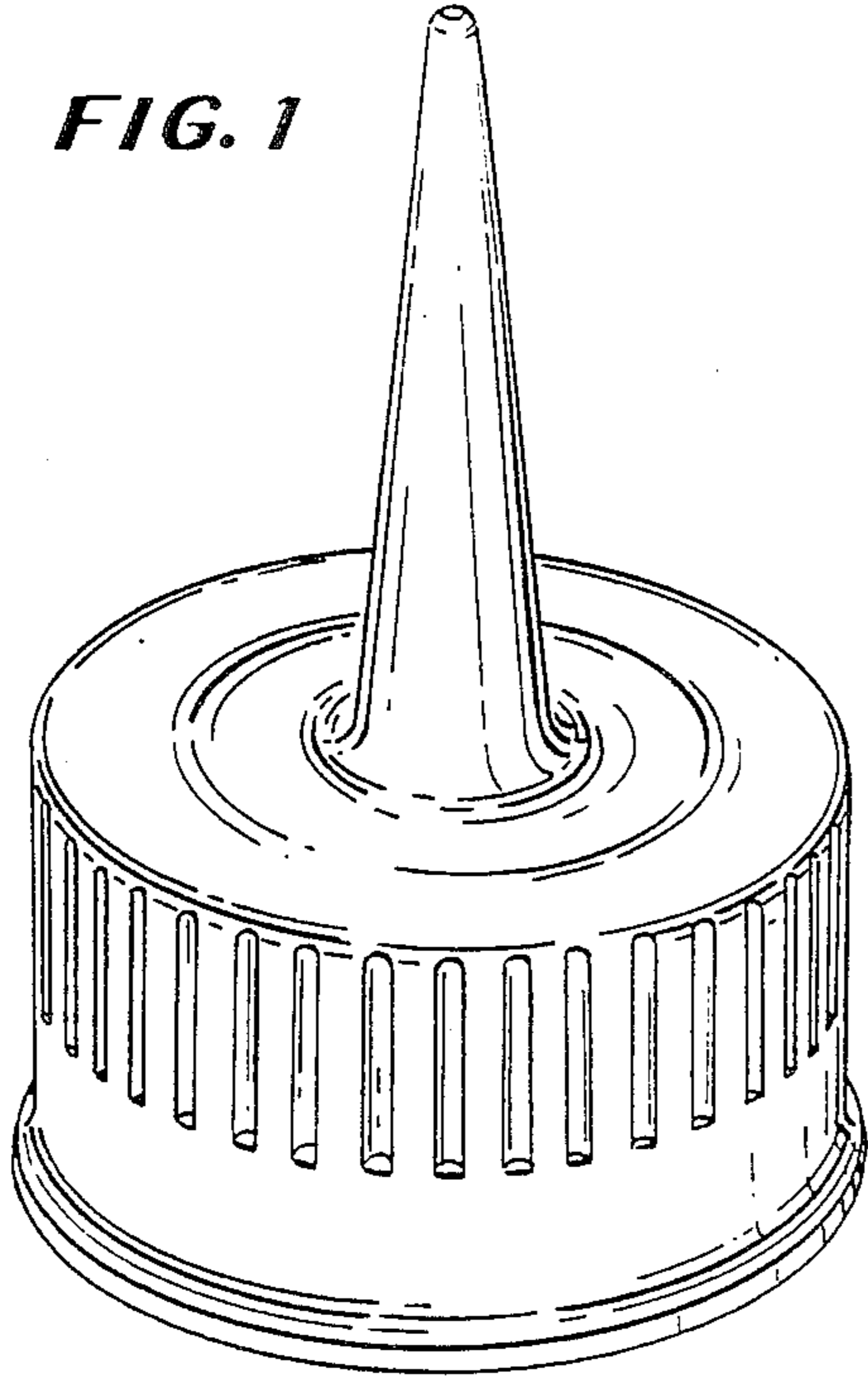


FIG. 2

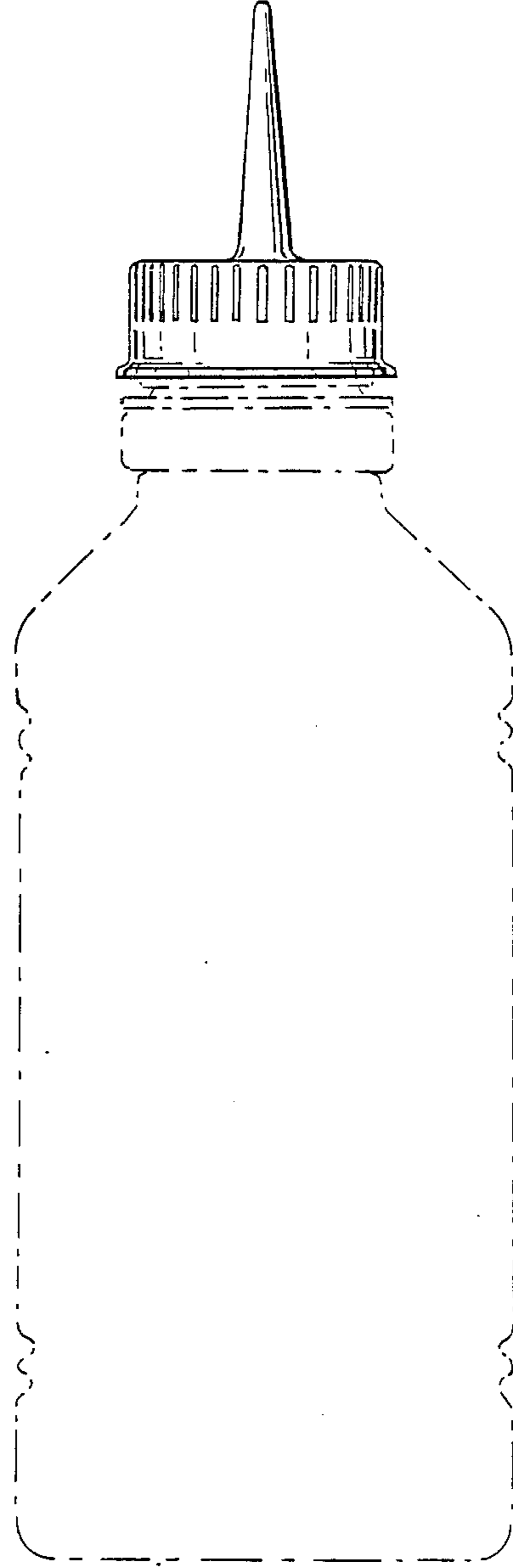


FIG. 3

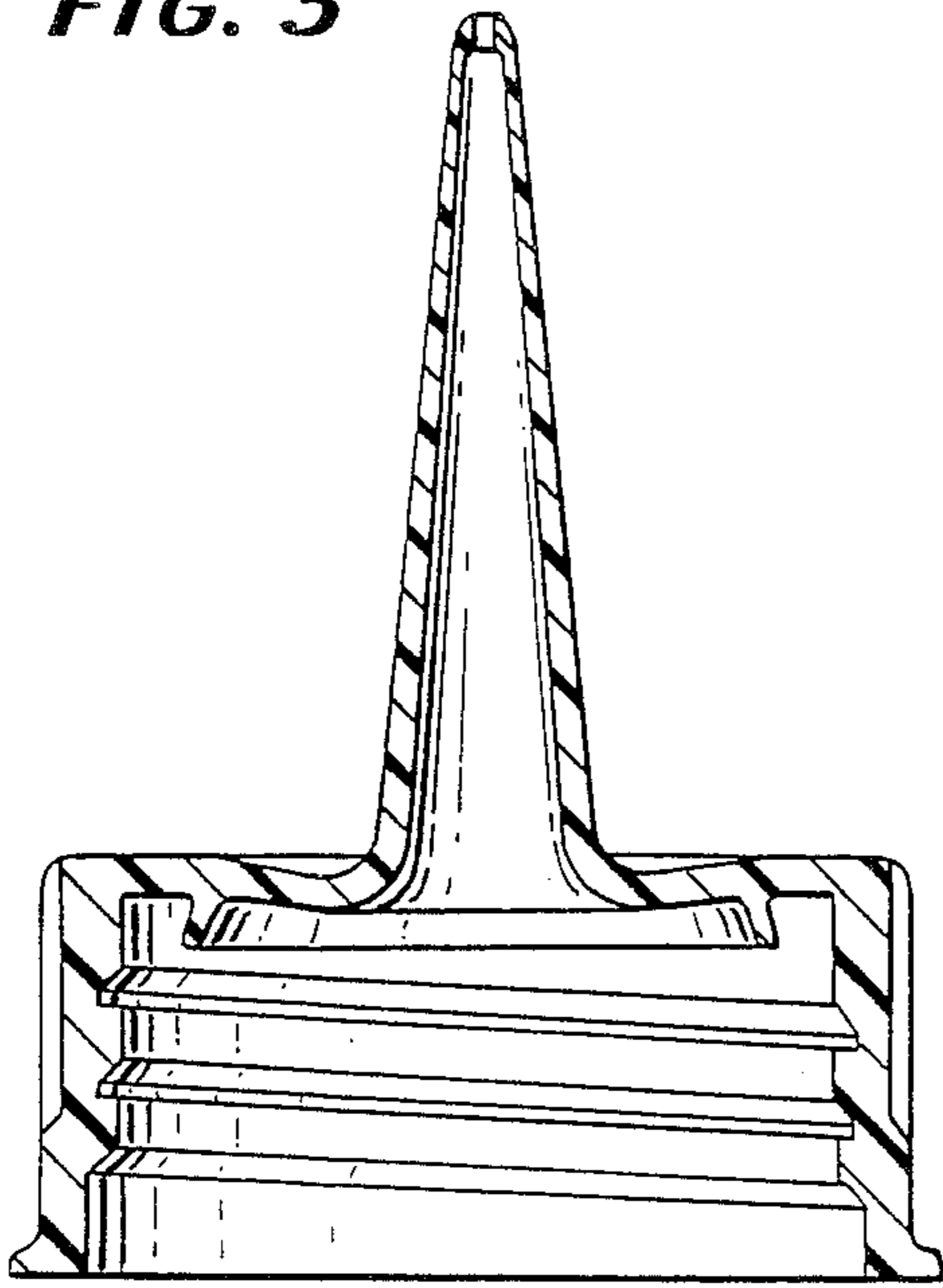


FIG. 4

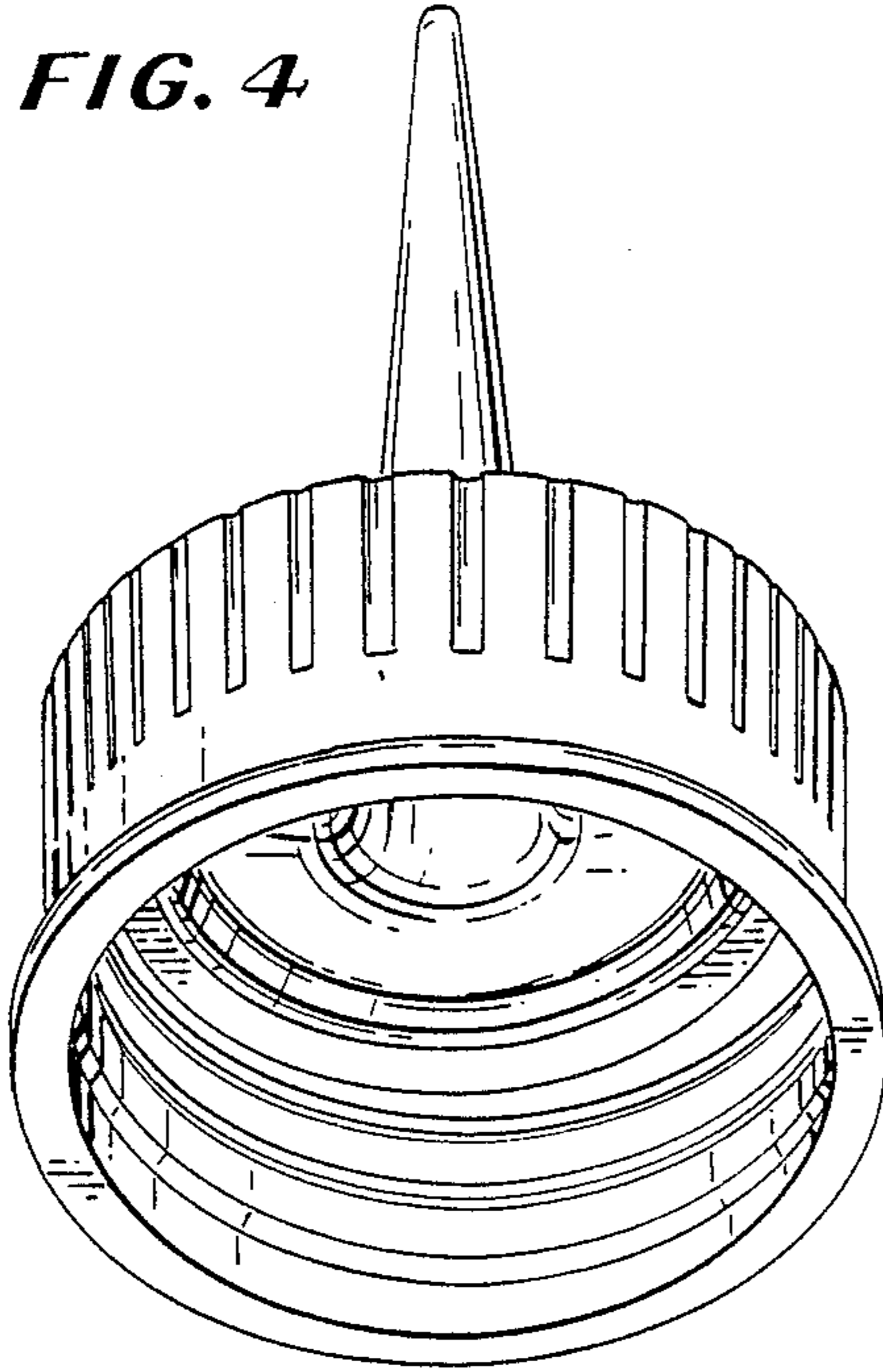


FIG. 5

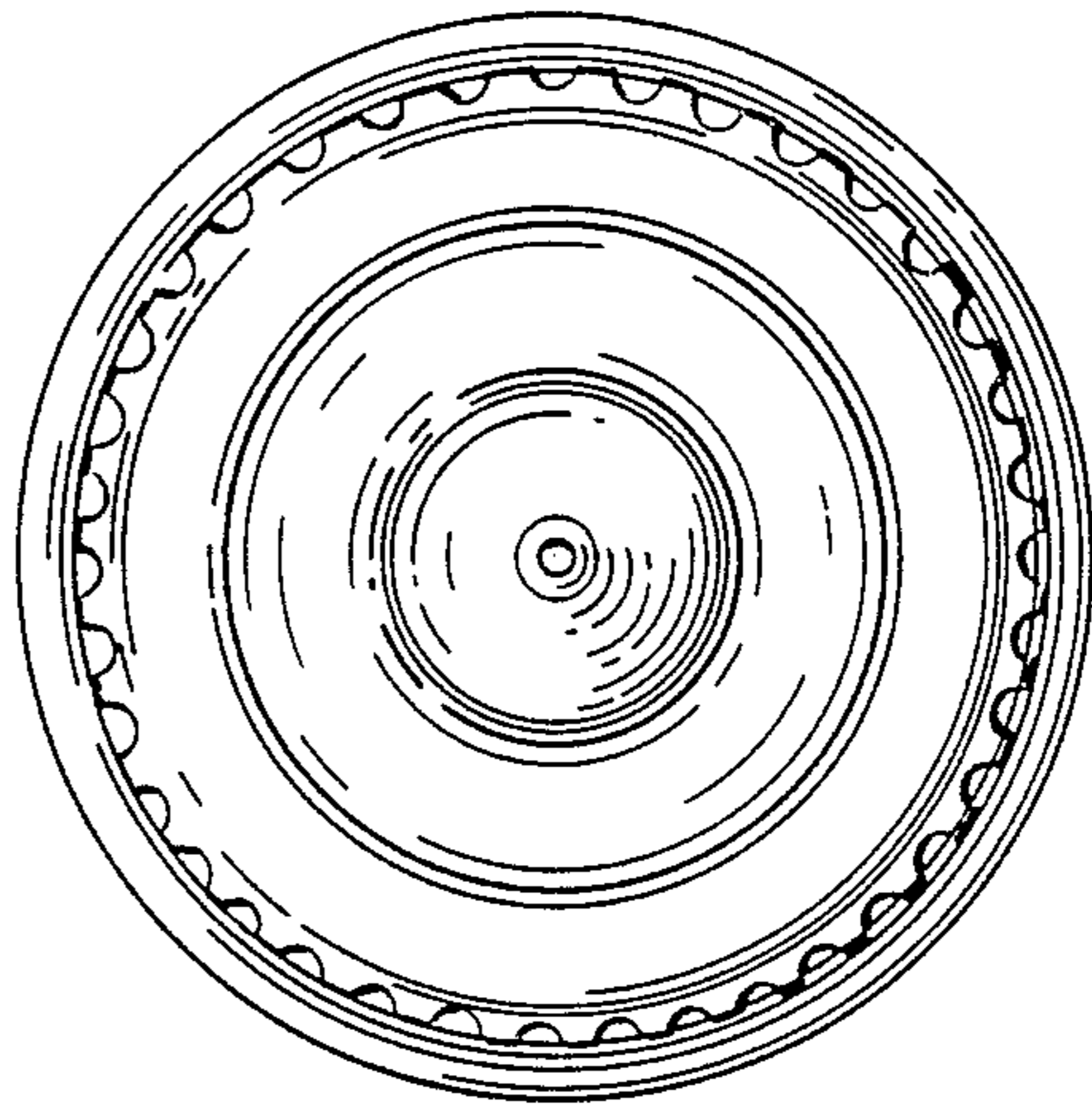


FIG. 6

