

[54] COMBINED CAP AND PUMP CLOSURE

[76] Inventor: Russell F. Crutchlow, 32 Raymond Dr., Seaford, Va. 23696

[**] Term: 14 Years

[21] Appl. No.: 711,160

[22] Filed: Mar. 13, 1985

[52] U.S. Cl. D9/435

[58] Field of Search D9/434-455;
215/228, 230; 222/541

[56] References Cited

U.S. PATENT DOCUMENTS

- D. 121,807 8/1940 Fender D9/439
- D. 157,332 2/1950 Bolard D9/439
- D. 182,301 3/1958 Pancrazi D9/439
- D. 280,080 8/1985 Miskinis D9/440 X

- 604,720 5/1898 Campbell 215/230 X
- 2,596,415 5/1952 Kochner 222/541
- 2,615,447 10/1952 Cohen 222/541 X

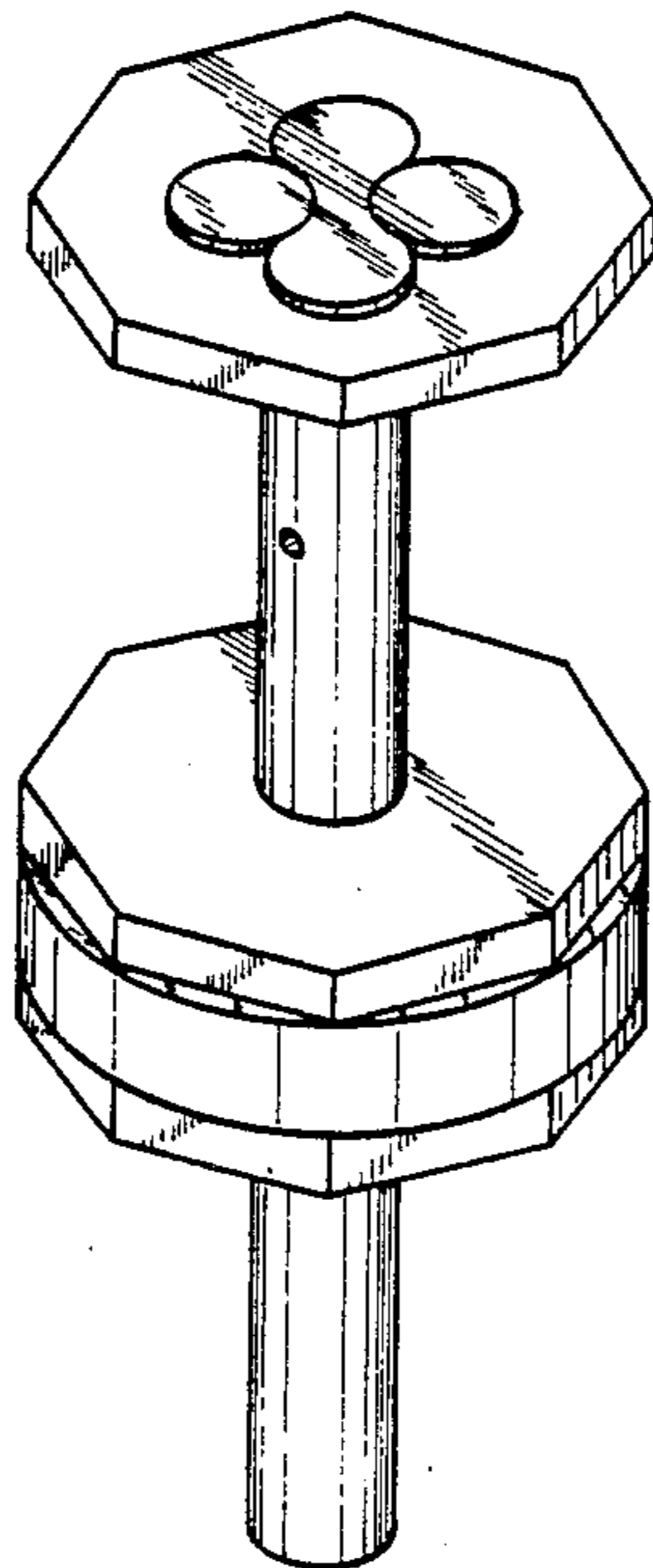
Primary Examiner—Robert C. Spangler
Attorney, Agent, or Firm—Gilden & Israel

[57] CLAIM

The ornamental design for a combined cap and pump closure, as shown and described.

DESCRIPTION

FIG. 1 is a perspective view of a combined cap and pump closure showing my new design; FIG. 2 is a side elevational view thereof; FIG. 3 is a top plan view thereof; FIG. 4 is a bottom plan view thereof; and FIG. 5 is an elevational view showing the side opposite that seen in FIG. 2.



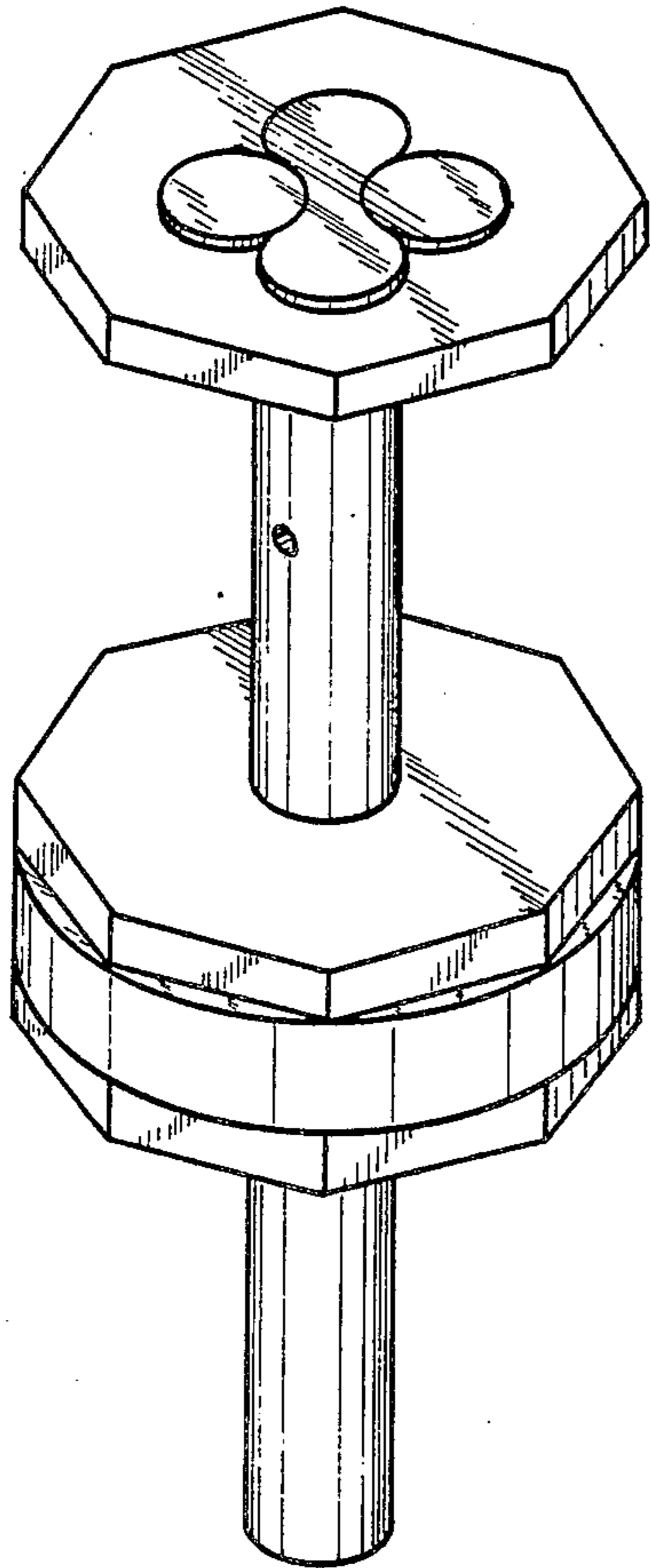
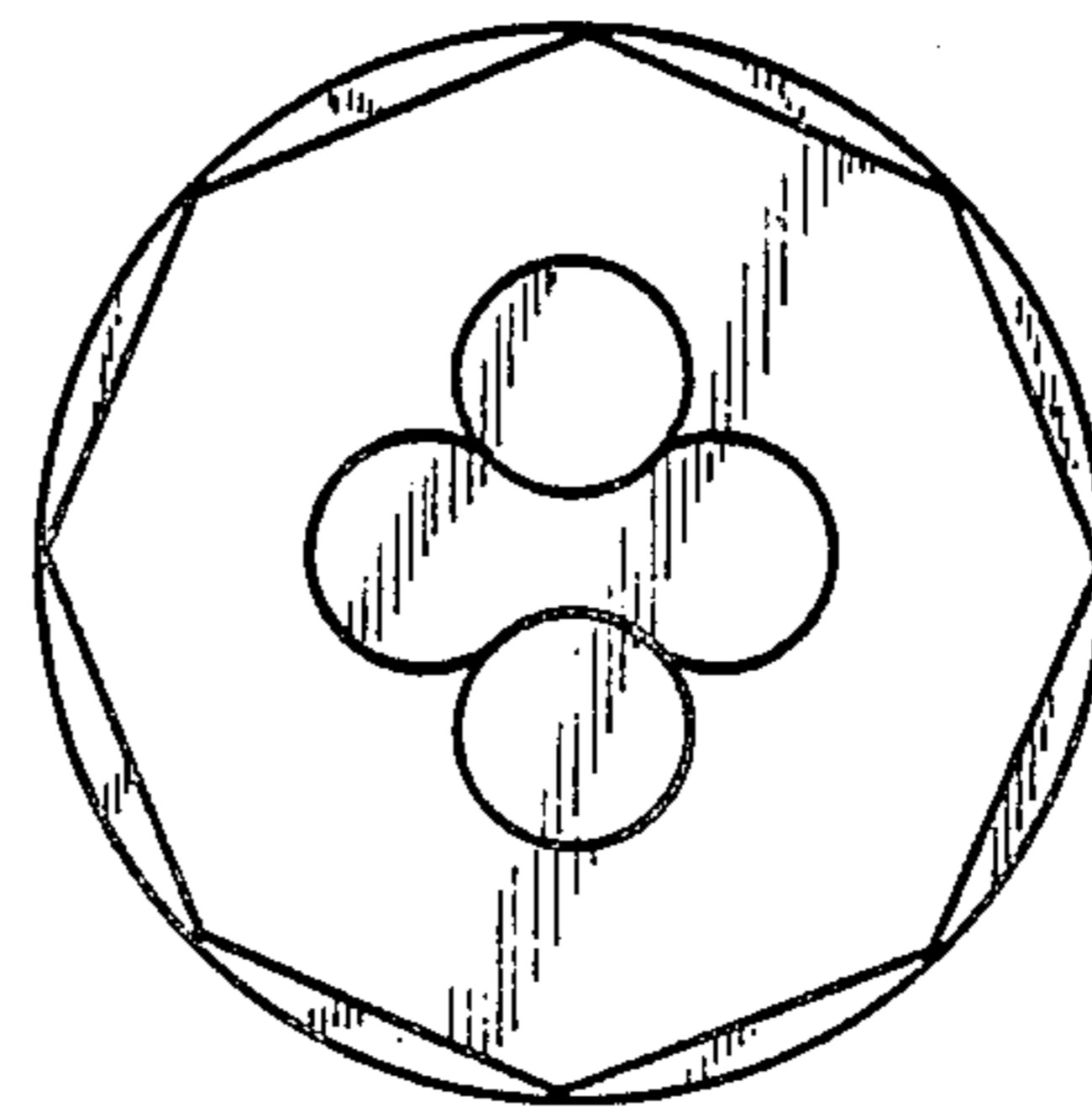


FIG 1

FIG 3



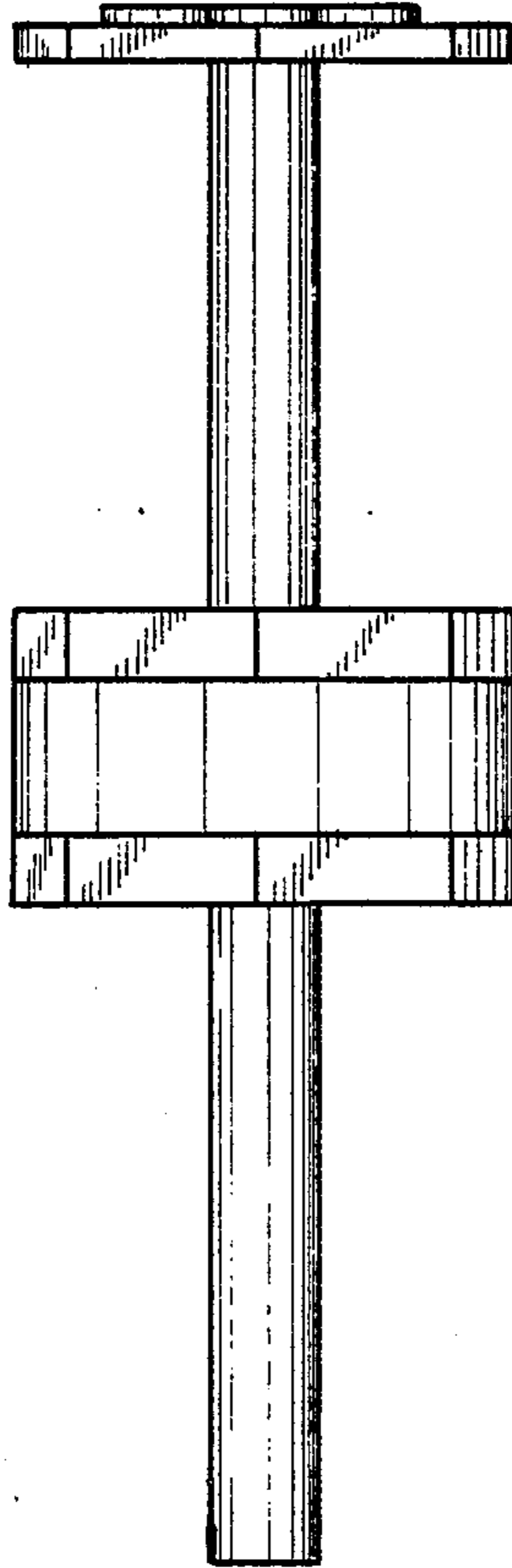


FIG 2

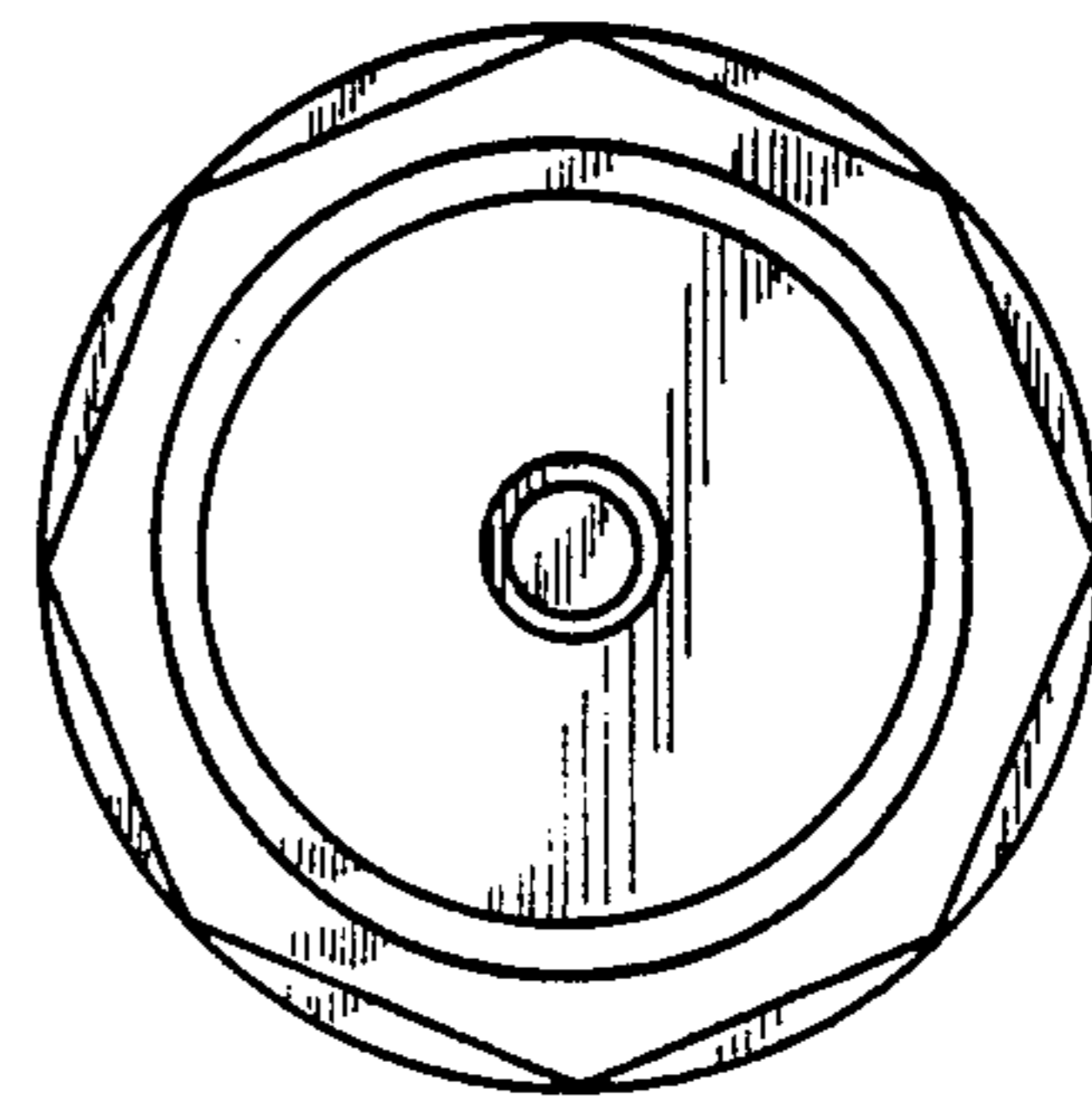


FIG 4

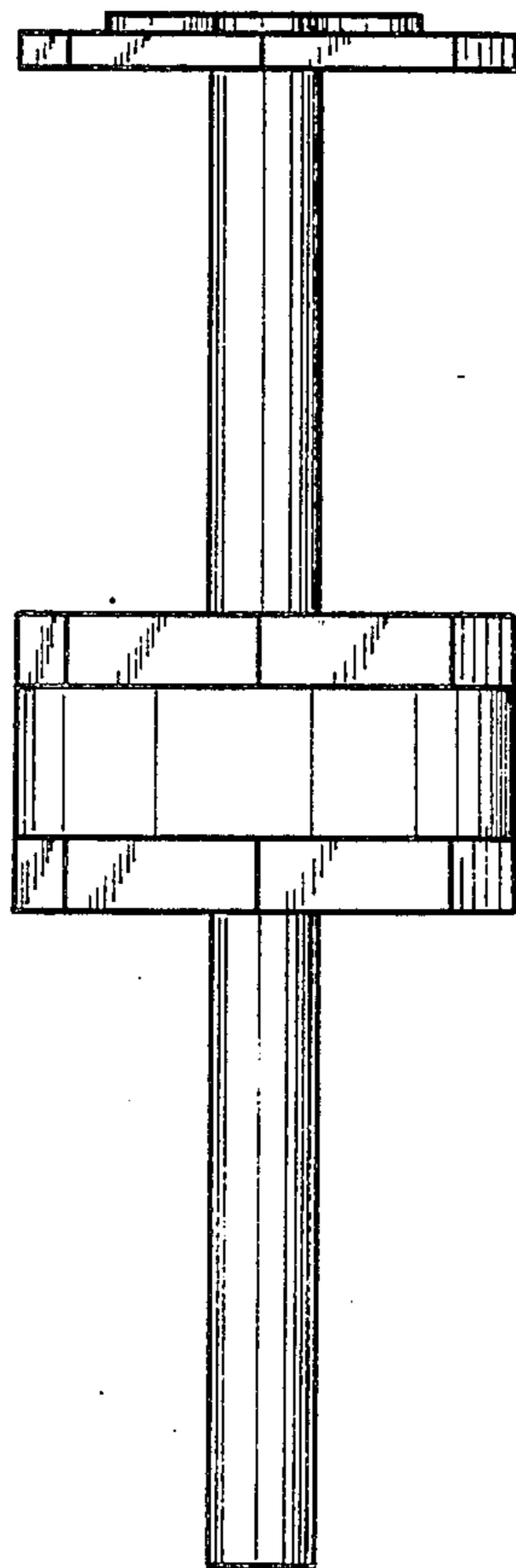


FIG 5