

[54] SPACER

[76] Inventor: Katsumi Niwa, 874-2, Nakagiri,
Mitake-cho., Kani-gun, Gifu-ken,
Japan

[**] Term: 14 Years

[21] Appl. No.: 696,511

[22] Filed: Jan. 30, 1985

[30] Foreign Application Priority Data

Aug. 7, 1984 [JP] Japan 59-33721

[52] U.S. CL. D8/354; 24/453;
174/138 D

[58] Field of Search D8/349, 354; D13/99,
D13/24; 24/289, 291, 292, 297, 305, 326, 453,
590; 411/508, 509, 510, 590; 174/138 D;
248/73, 221.4, 221.3, 220.2

[56] References Cited

U.S. PATENT DOCUMENTS

3,621,751	11/1971	Fiorontino	24/453
3,651,545	3/1972	Hara	.
3,764,729	10/1973	Kowalewski	.
3,777,052	12/1973	Fegen	.
3,909,883	10/1975	Fegen	.
4,143,577	3/1979	Eberhardt	.
4,168,067	9/1979	Wiczer	248/221.4
4,297,769	11/1981	Coules	174/138 D
4,297,769	11/1981	Coules	.
4,354,298	10/1982	Tonaka et al.	24/453
4,485,531	12/1984	Murphy	24/453
4,495,380	1/1985	Ryan et al.	.
4,495,548	1/1985	Matsui	174/138 D

FOREIGN PATENT DOCUMENTS

1578381	11/1980	United Kingdom	174/138 D
2111579A	7/1983	United Kingdom	24/289
770679	3/1957	United Kingdom	24/453

OTHER PUBLICATIONS

Richco Plastics, Inc. catalog: supports on pp. 20, 21 of catalog; guides on pp. 24, 25.

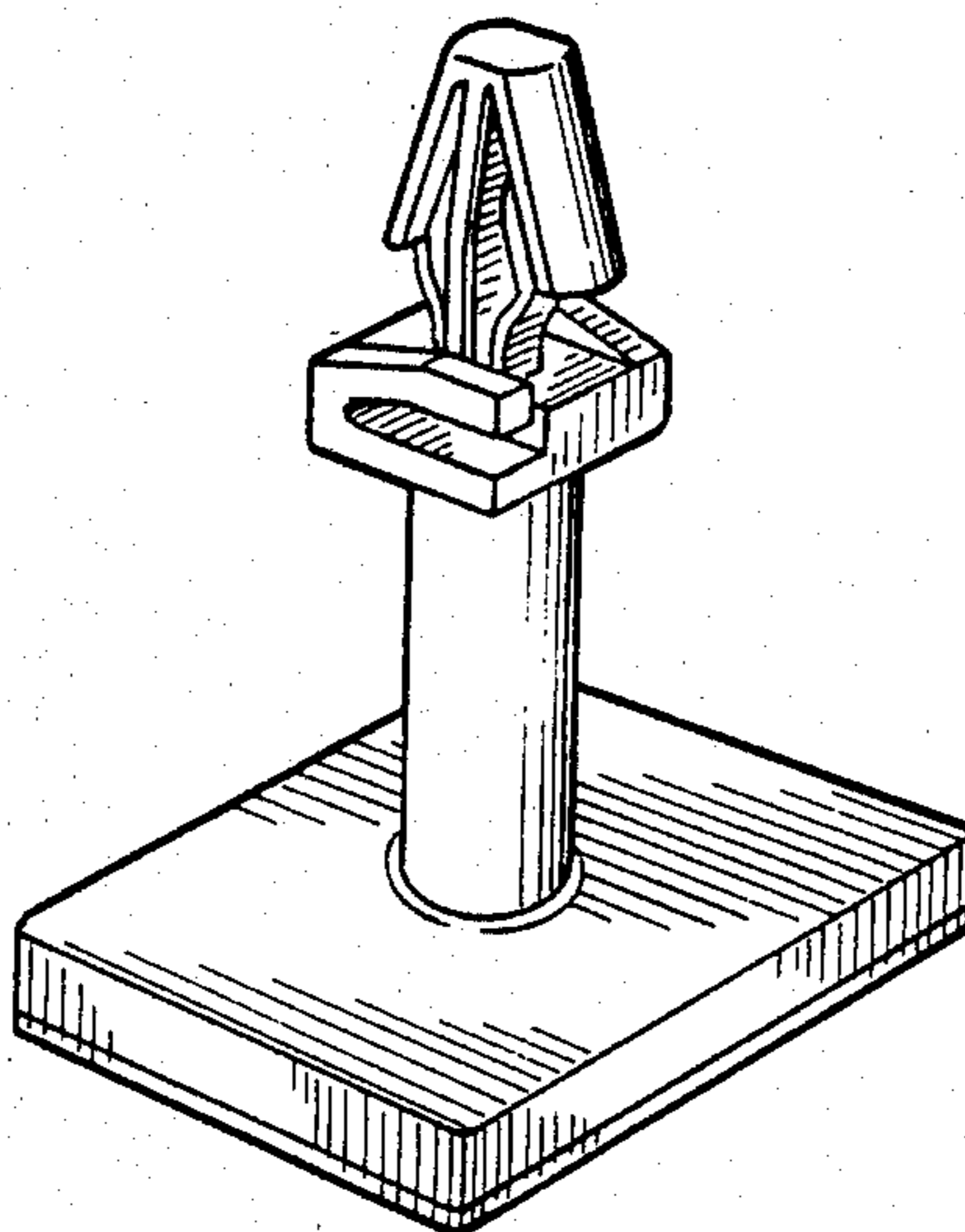
Primary Examiner—James M. Gandy
Assistant Examiner—Horace B. Fay, Jr.
Attorney, Agent, or Firm—Oblon, Fisher, Spivak,
McClelland & Maier

[57] CLAIM

The ornamental design for a spacer, substantially as shown and described.

DESCRIPTION

FIG. 1 is a top plan view of a spacer showing my new design;
FIG. 2 is a front elevational view thereof;
FIG. 3 is a bottom plan view thereof;
FIG. 4 is a right side elevational view, the side opposite being essentially a mirror image.
FIG. 5 is a cross-sectional view taken on line 5—5 of FIG. 2 thereof;
FIG. 6 is a cross-sectional view taken on line 6—6 of FIG. 2 thereof;
FIG. 7 is a cross-sectional view taken on line 7—7 of FIG. 4; and
FIG. 8 is a perspective view taken from above and to one side of FIG. 2; and
FIG. 9 is a perspective view taken from below and to an opposite side of FIG. 4.



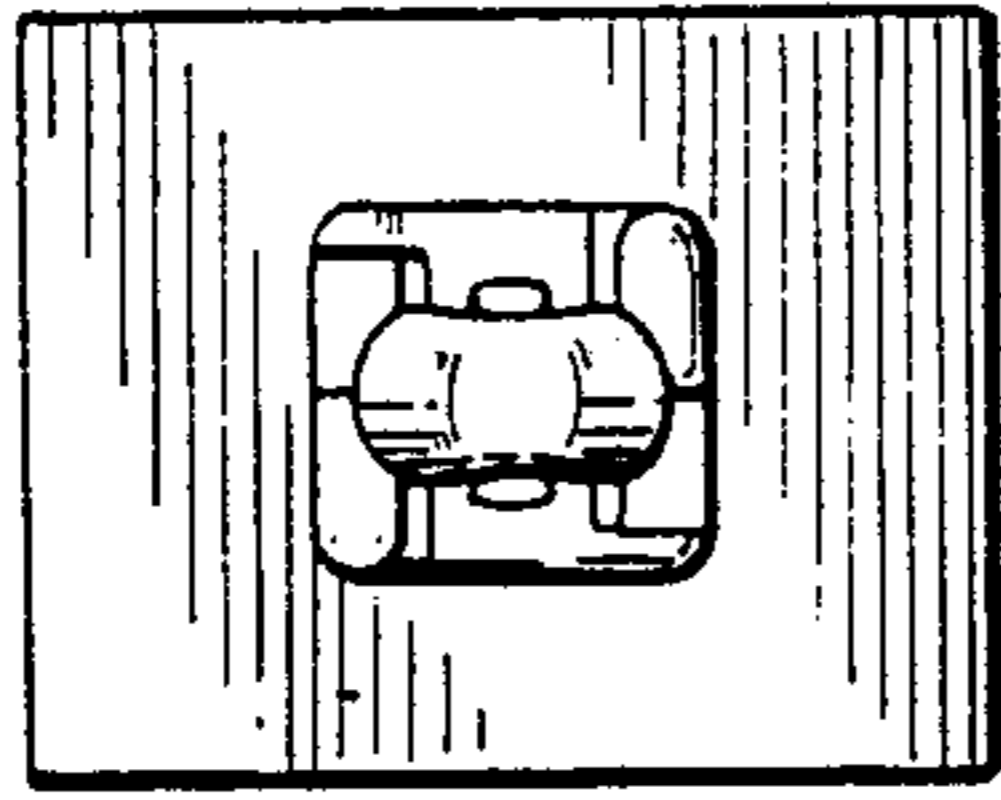


Fig. 1

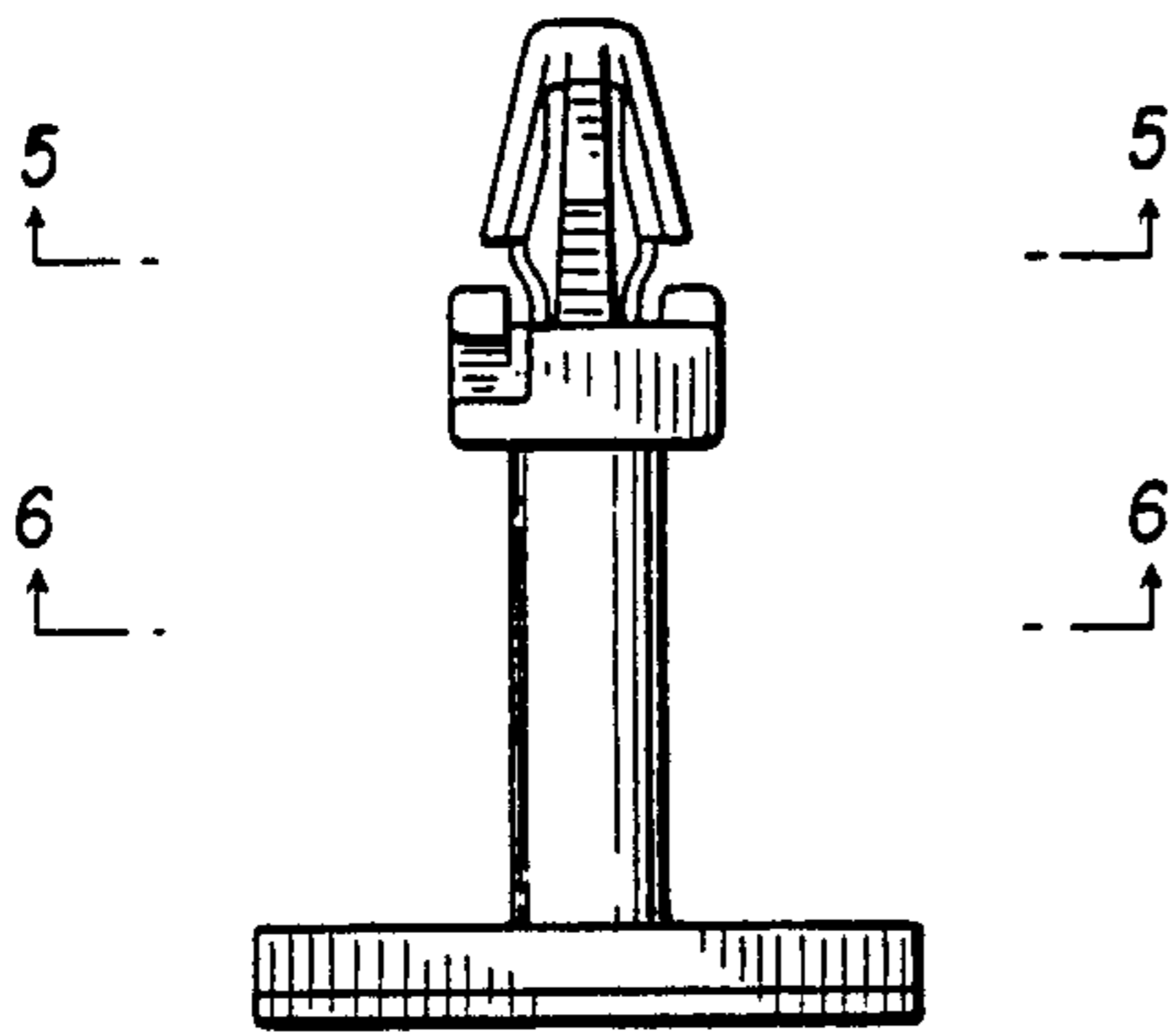


Fig. 2

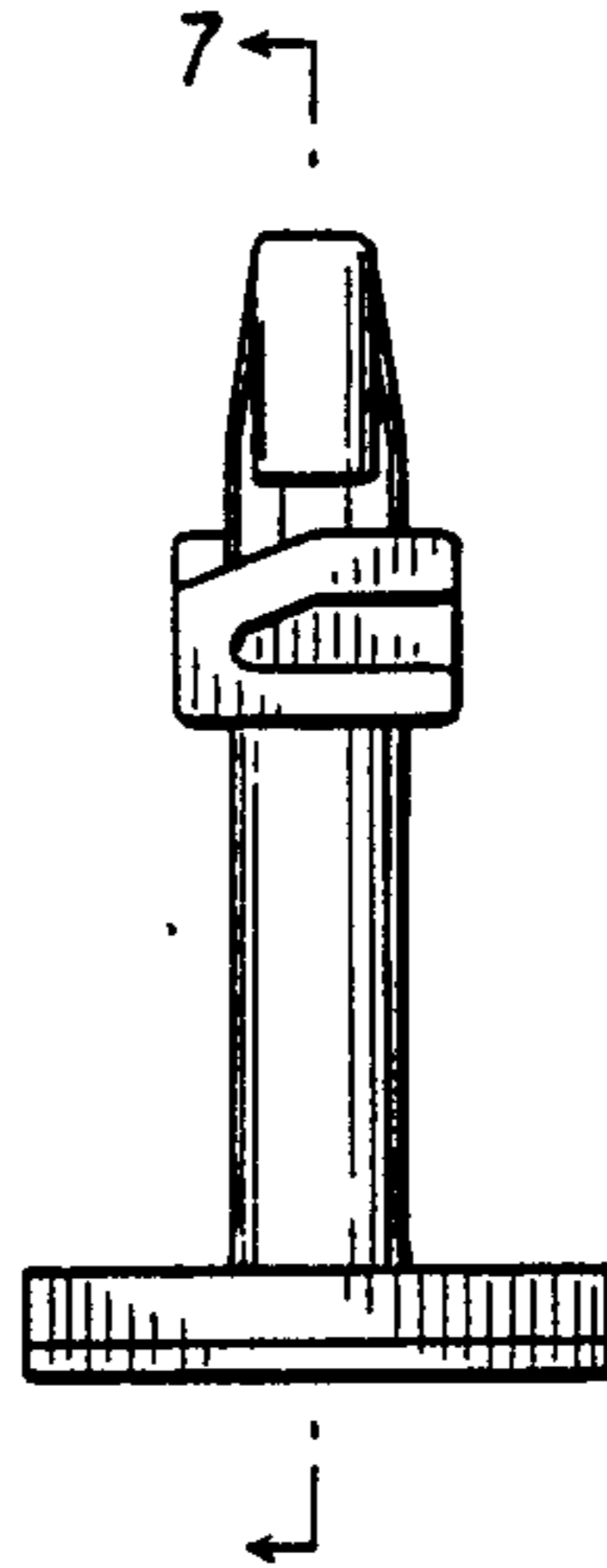


Fig. 4

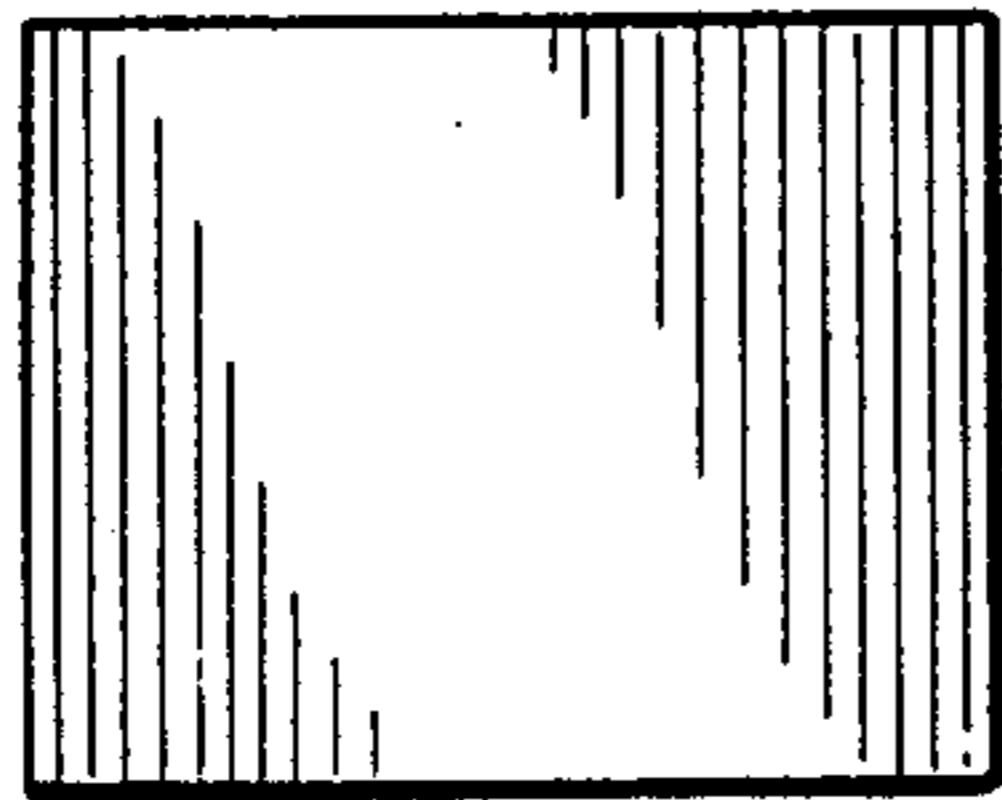


Fig. 3



Fig. 5



Fig. 6

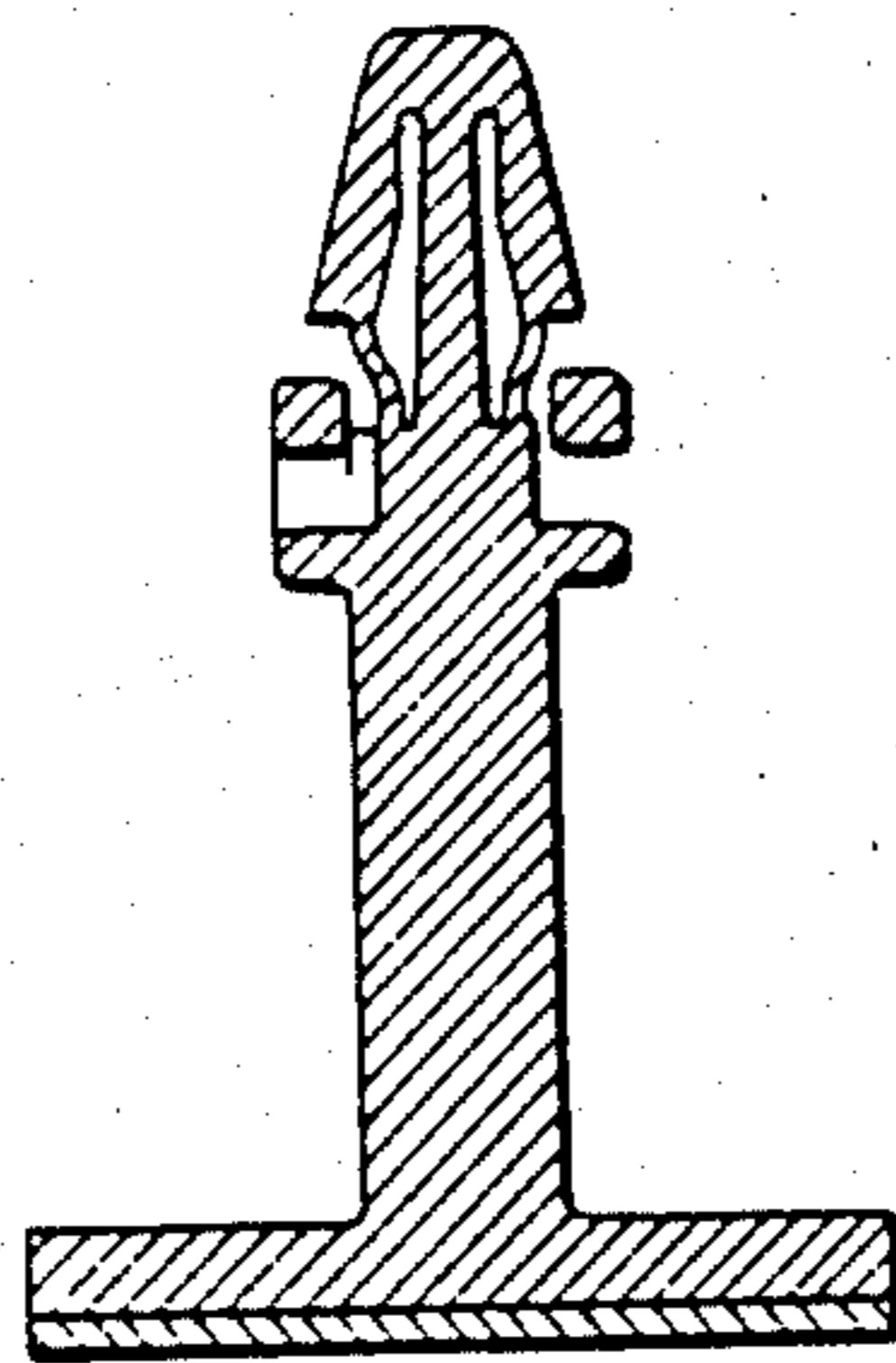


Fig. 7

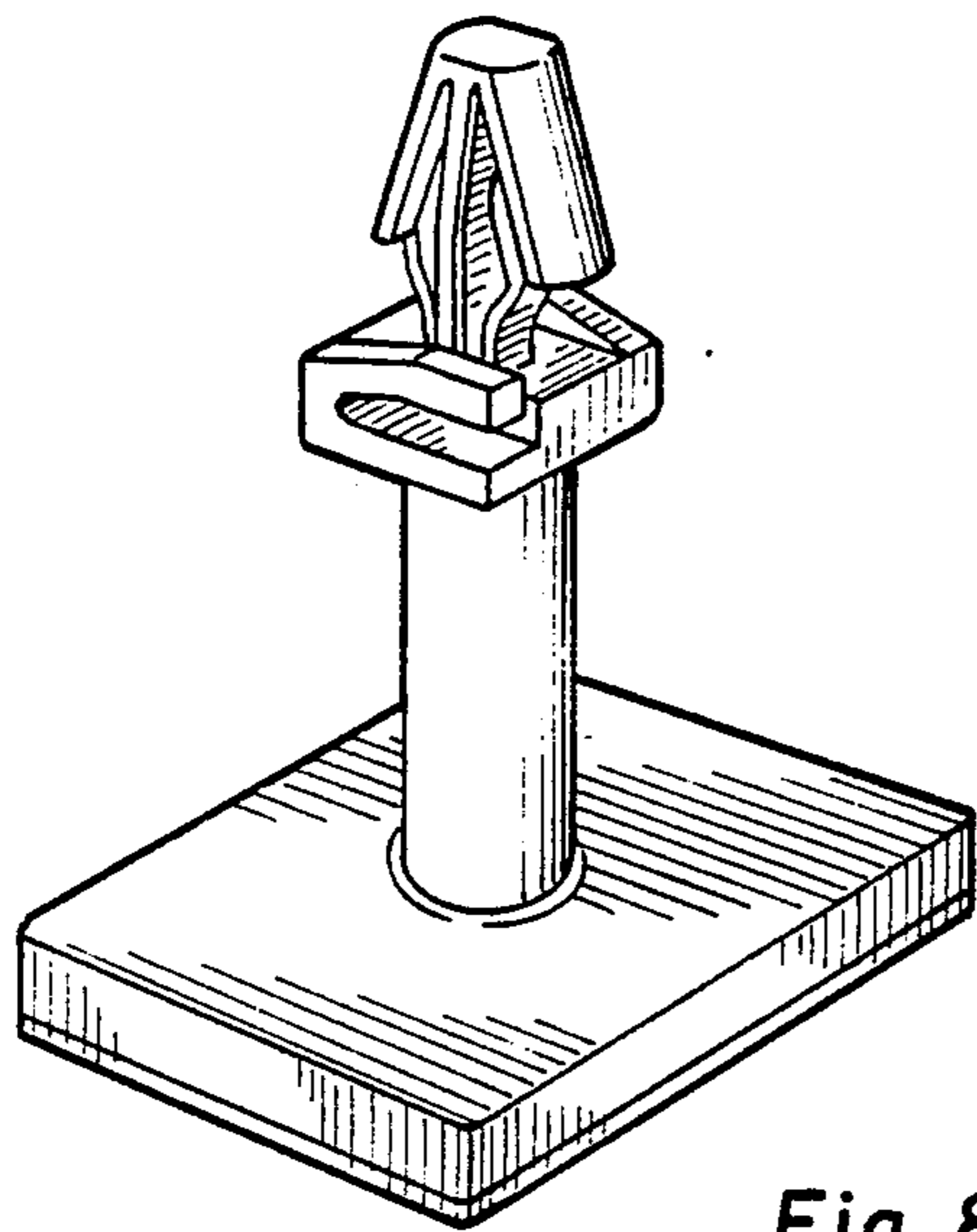


Fig. 8

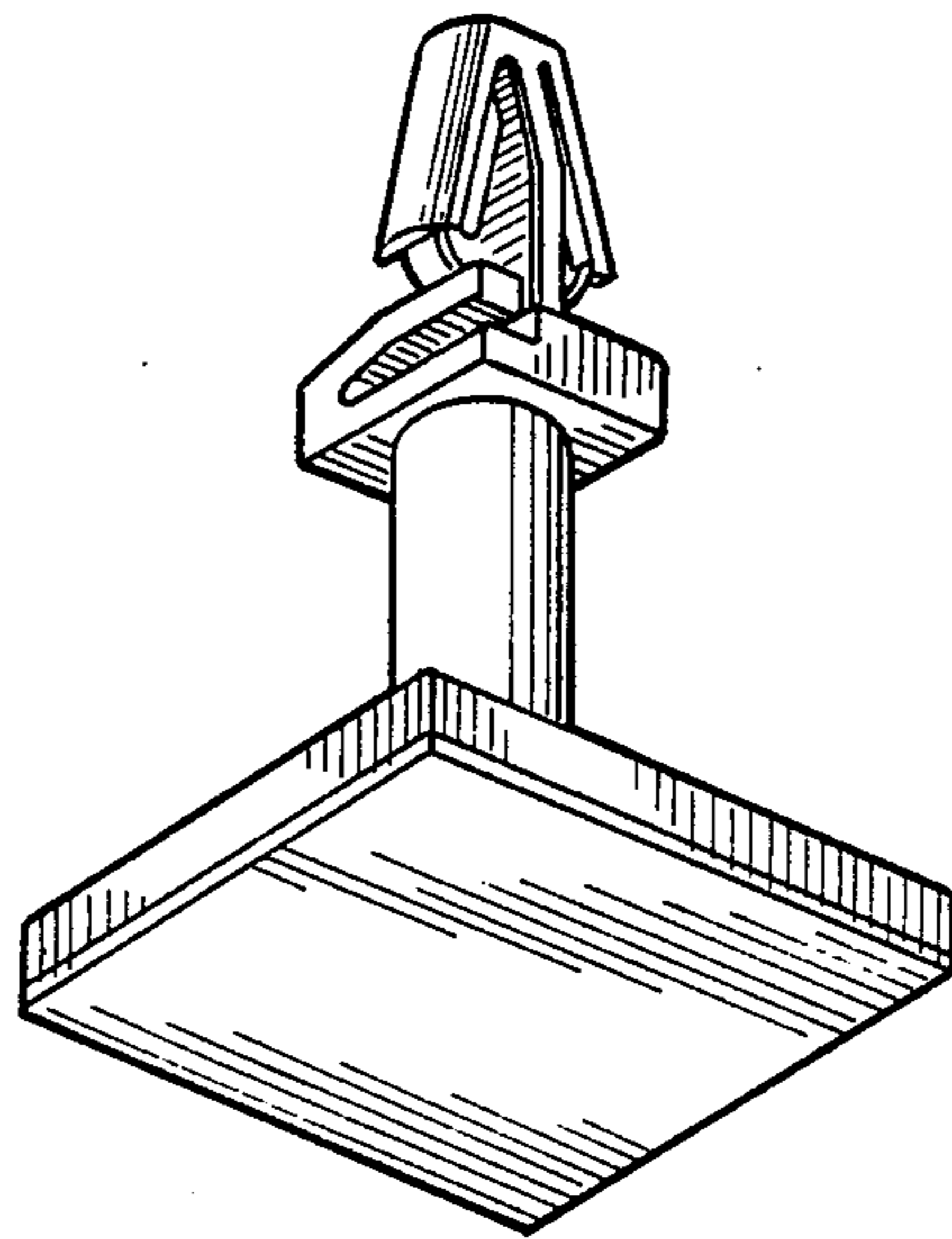


Fig. 9

UNITED STATES PATENT AND TRADEMARK OFFICE
CERTIFICATE OF CORRECTION

PATENT NO. : Des.295,369

DATED : April 26, 1988

Page 1 of 2

INVENTOR(S) : Katsumi Niwa

It is certified that error appears in the above-identified patent and that said Letters Patent is hereby corrected as shown below:

Figure 8 of the drawings should be deleted to be replaced with figure 8 as shown on the attached sheet.

Signed and Sealed this

Twenty-second Day of November, 1988

Attest:

DONALD J. QUIGG

Attesting Officer

Commissioner of Patents and Trademarks

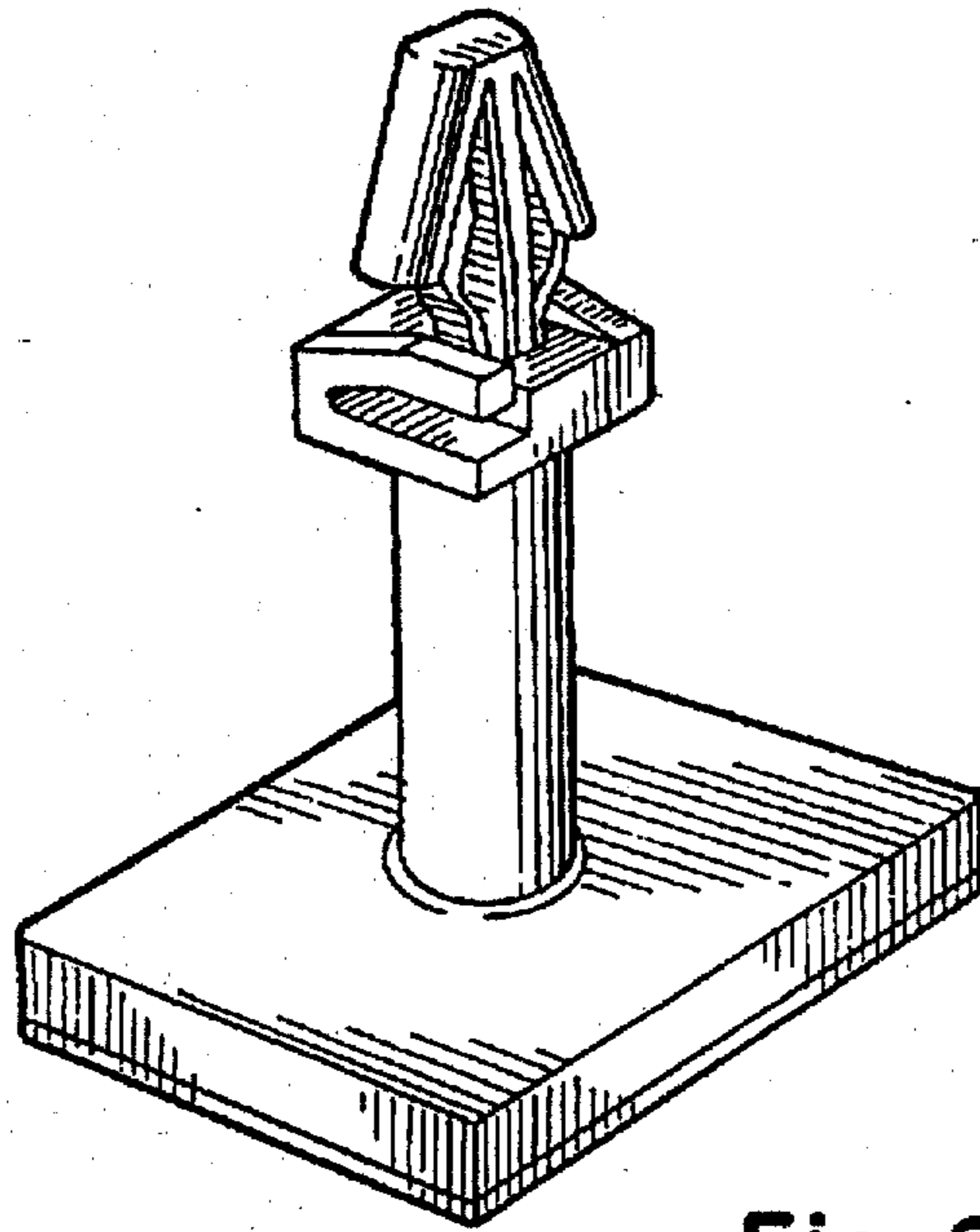


Fig. 8