

[54] **SPACER**
 [76] **Inventor: Katsumi Niwa, 874-2, Nakagiri, Mitake-cho, Kani-gun, Gifu-ken, Japan**

[**] **Term: 14 Years**

[21] **Appl. No.: 740,409**

[22] **Filed: Jun. 3, 1985**

[30] **Foreign Application Priority Data**

Jan. 9, 1985 [JP] Japan 60-163

[52] **U.S. Cl. D8/354; 174/138 D**

[58] **Field of Search D8/349, 354; D13/24, D13/99; 24/590, 297, 305, 453, 289, 291, 292, 326; 411/508, 554, 509, 510; 174/138 D; 248/73, 221.4, 221.3, 220.2; 361/412, 413**

[56] **References Cited**

U.S. PATENT DOCUMENTS

D. 269,589	7/1983	Nakama	D8/395
2,509,192	5/1950	Poupitch	411/508
3,029,486	4/1962	Raymond	411/509
3,119,299	1/1964	Sarafinas	411/508
3,476,008	11/1969	Pearson et al.	411/508
3,621,751	11/1971	Fiorentino	411/508
3,651,545	3/1972	Hara	24/73 P
3,764,729	10/1973	Kowalewski	174/138 D
3,777,052	12/1973	Fegen	174/138 D
3,811,154	5/1974	Lundeman et al.	361/412
3,909,883	10/1975	Fegen	24/73 P
3,996,500	12/1976	Coules	248/220.2
4,143,577	3/1979	Eberhardt	85/5 R
4,297,769	11/1981	Coules	174/138 D

4,422,222	12/1983	Nitoya	24/289
4,495,380	1/1985	Ryan et al.	174/138 D
4,495,548	1/1985	Matsui	361/412
4,506,419	3/1985	Mitomi	24/297

FOREIGN PATENT DOCUMENTS

524892	5/1956	Canada	24/453
2330901	6/1977	France	411/508
887816	1/1962	United Kingdom	
1087464	10/1967	United Kingdom	24/590
1179924	2/1970	United Kingdom	411/509
1252600	11/1971	United Kingdom	
2138880	10/1984	United Kingdom	
2142377	1/1985	United Kingdom	403/252

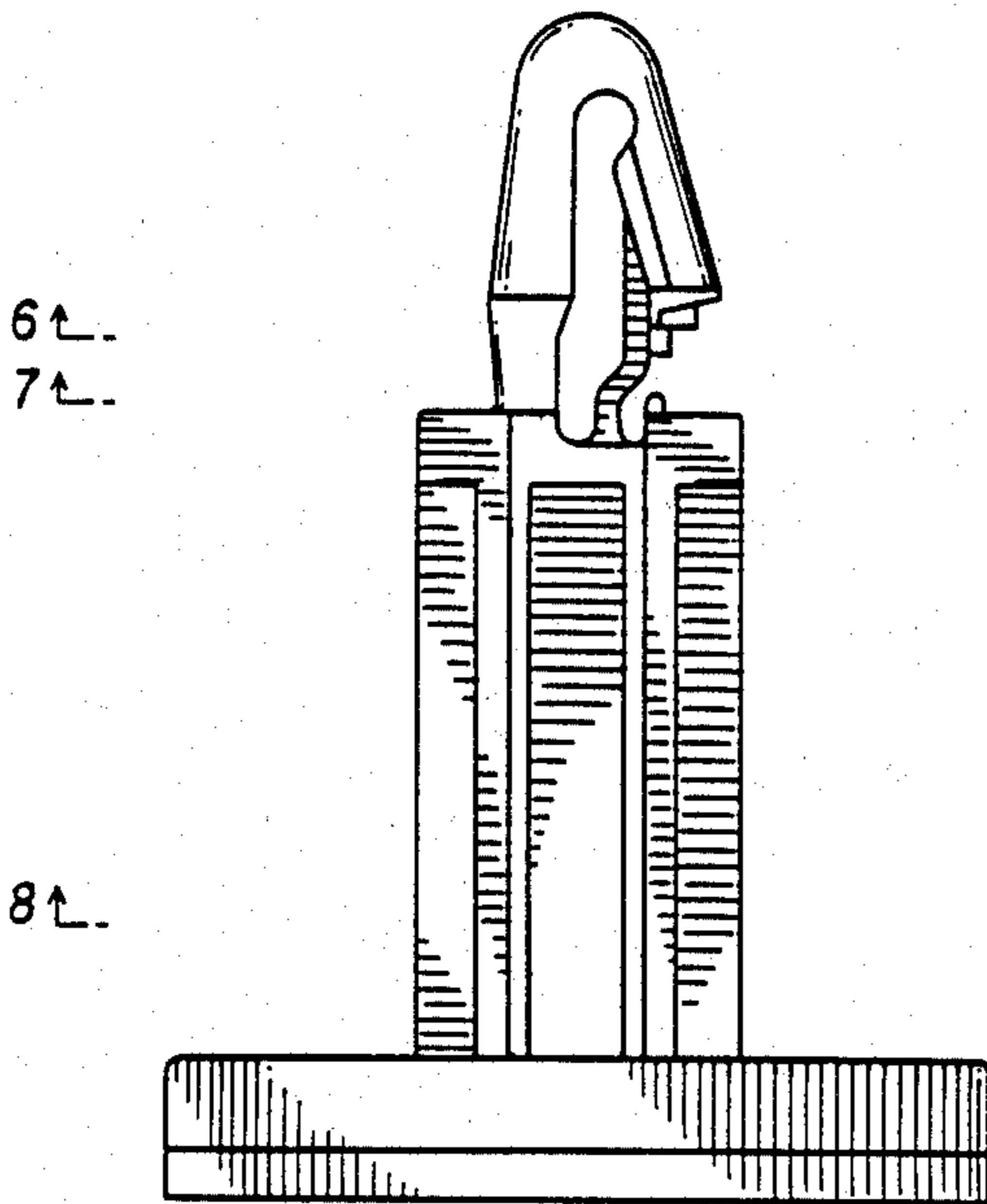
Primary Examiner—James M. Gandy
Attorney, Agent, or Firm—Oblon, Fisher, Spivak, McClelland & Maier

[57] **CLAIM**

The ornamental design for a spacer, substantially as shown and described.

DESCRIPTION

FIG. 1 is a left side elevational view of a spacer showing my new design;
 FIG. 2 is a front elevational view thereof;
 FIG. 3 is a right side elevational view thereof;
 FIG. 4 is a bottom plan view thereof;
 FIG. 5 is a top plan view thereof;
 FIG. 6 is a sectional view taken on line 6—6;
 FIG. 7 is a sectional view taken on line 7—7;
 FIG. 8 is a sectional view taken on line 8—8; and
 FIG. 9 is a perspective view; and
 FIG. 10 is a perspective view taken 180° from FIG. 9.



→6
 →7

→8

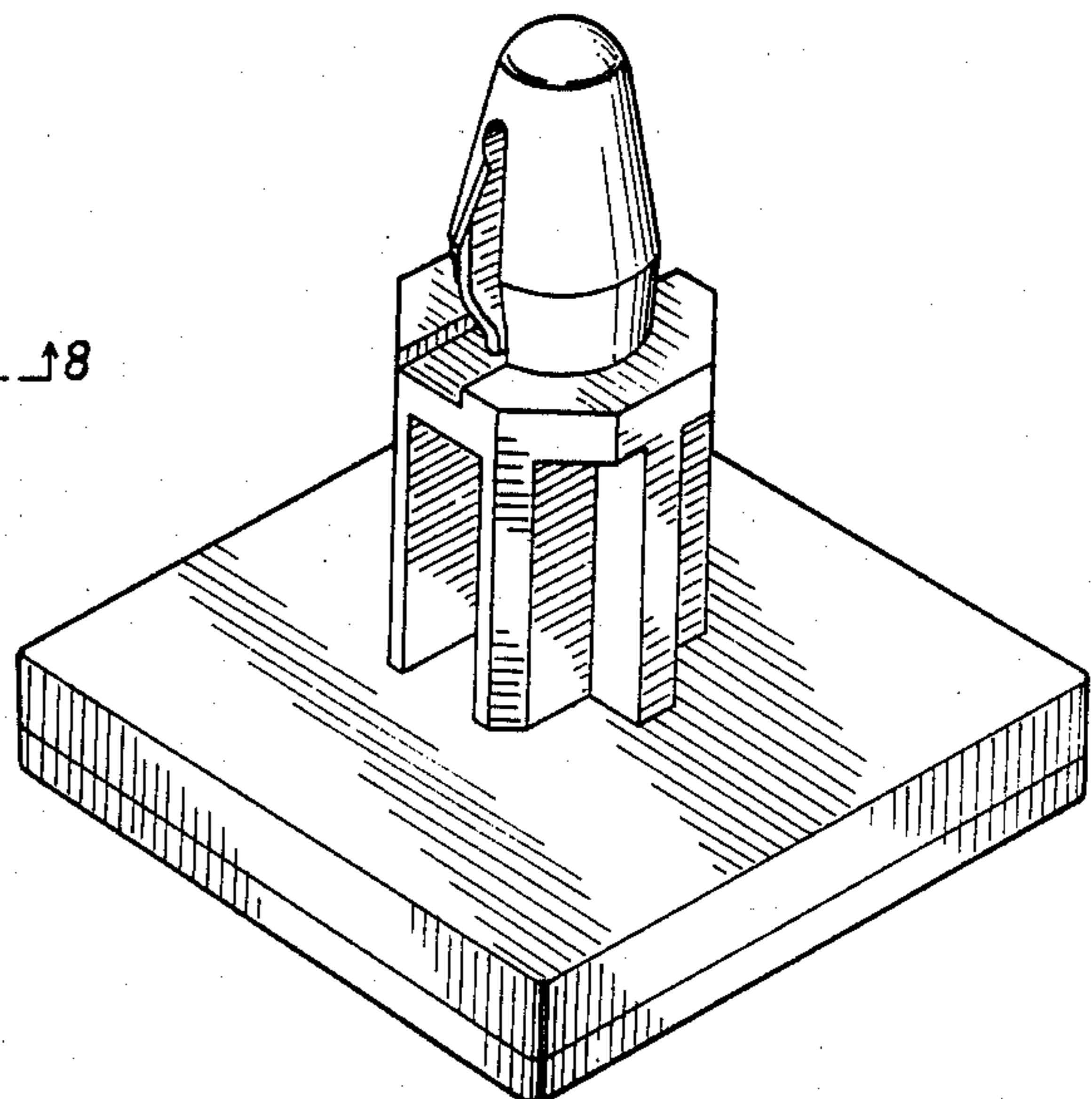


Fig. 1

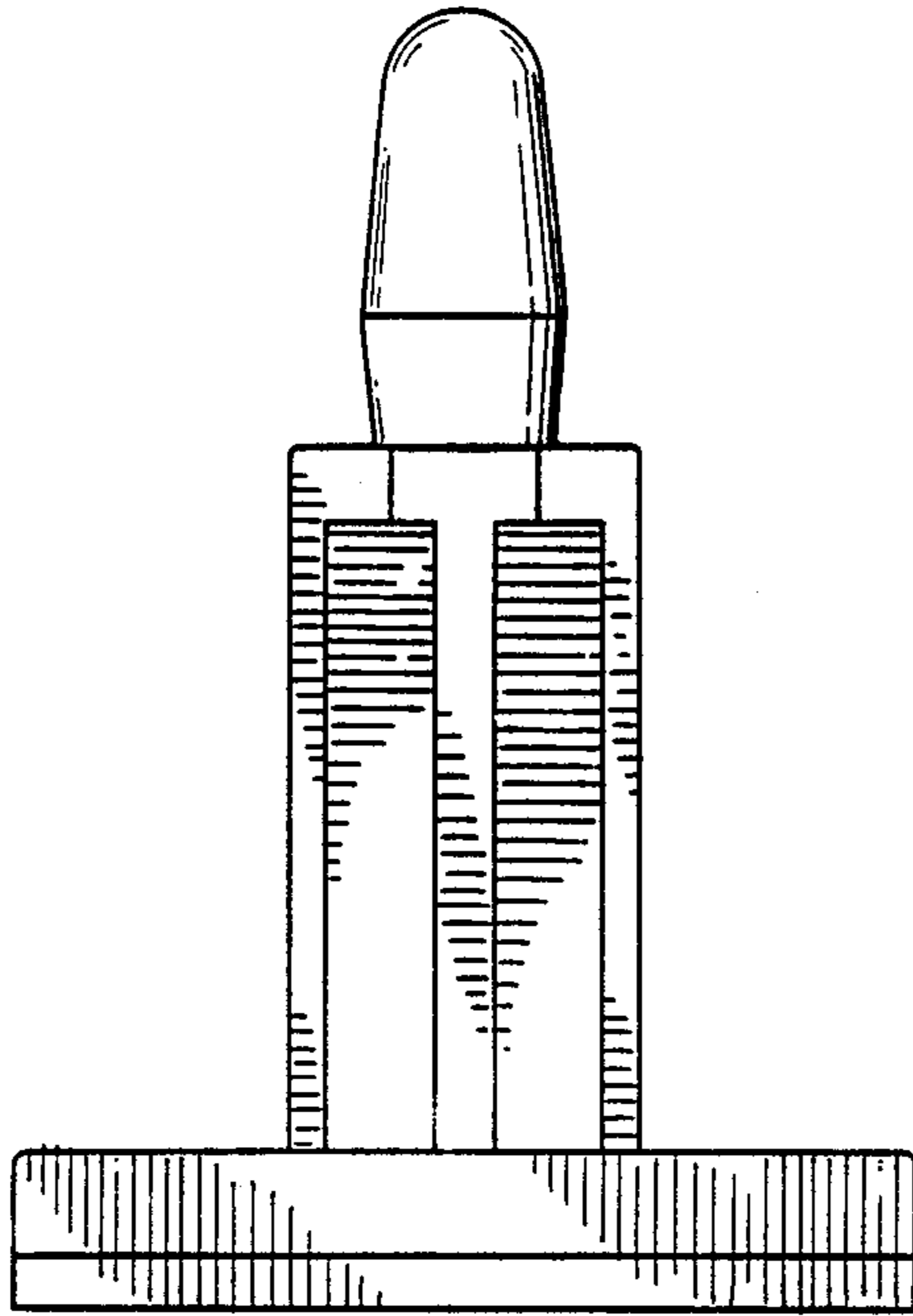


Fig. 2

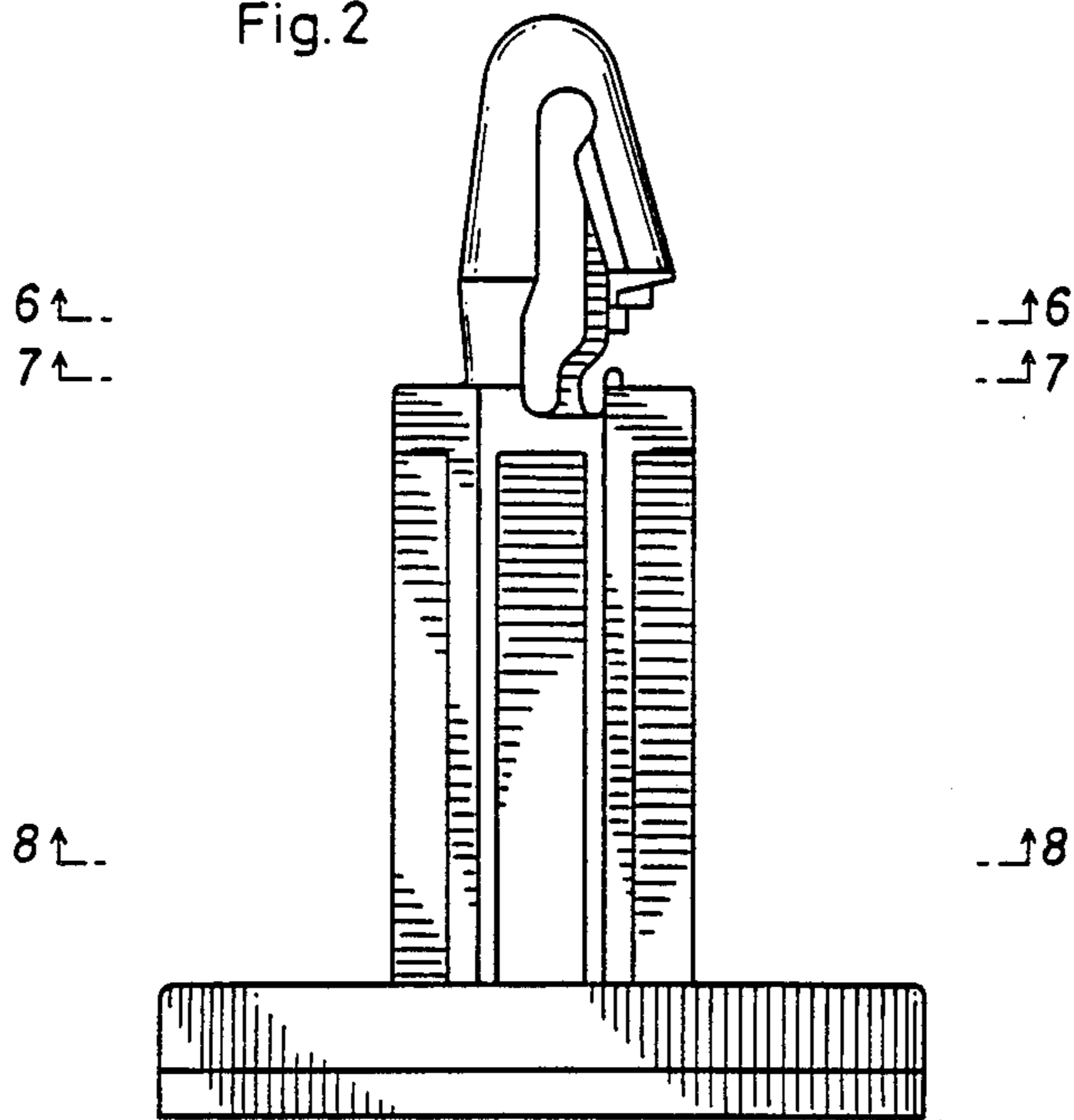


Fig. 3

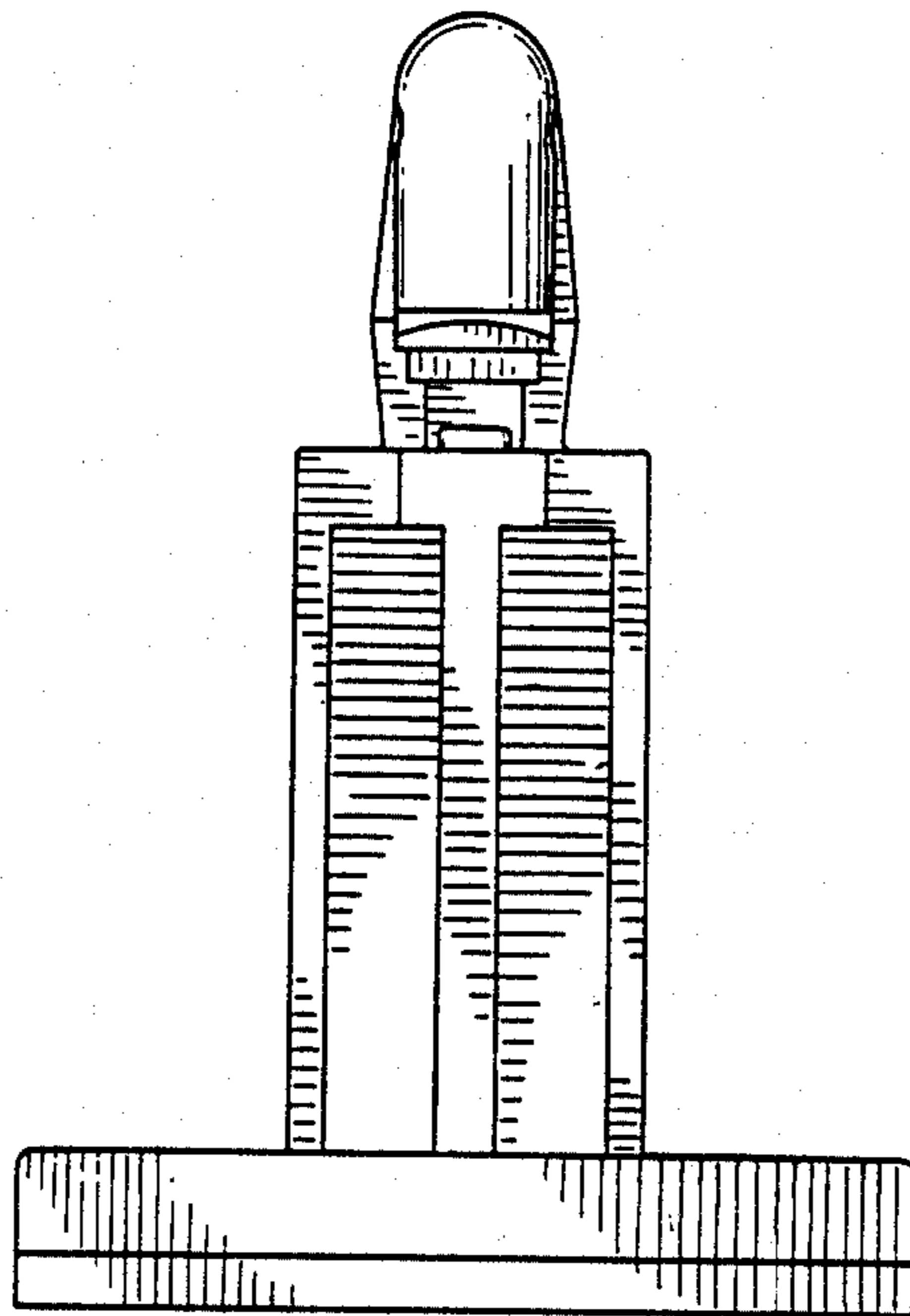


Fig. 4

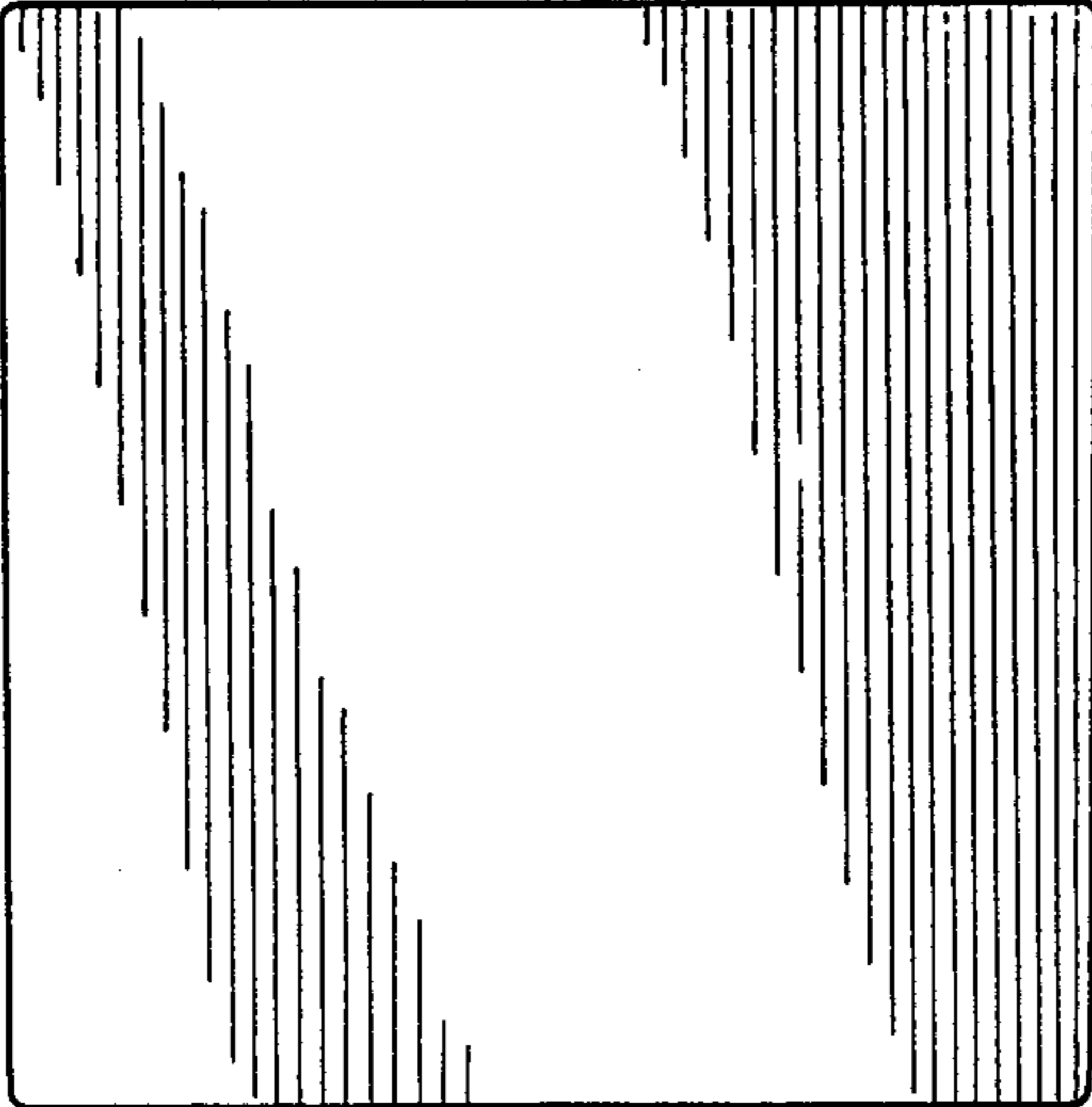


Fig. 5

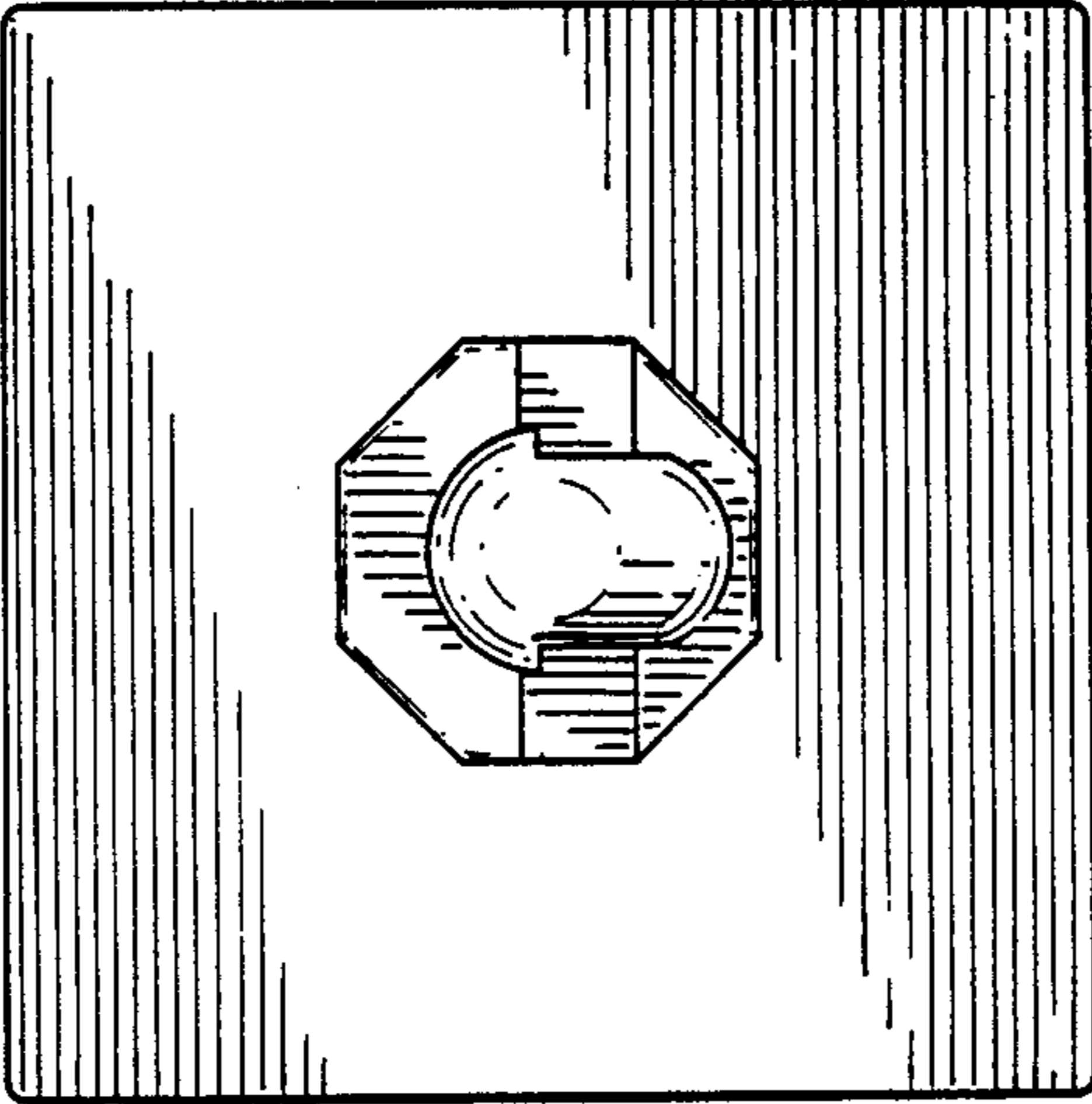


Fig. 6



Fig. 7

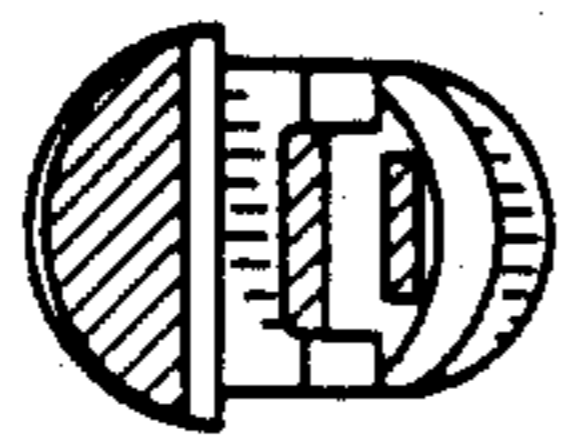


Fig. 8

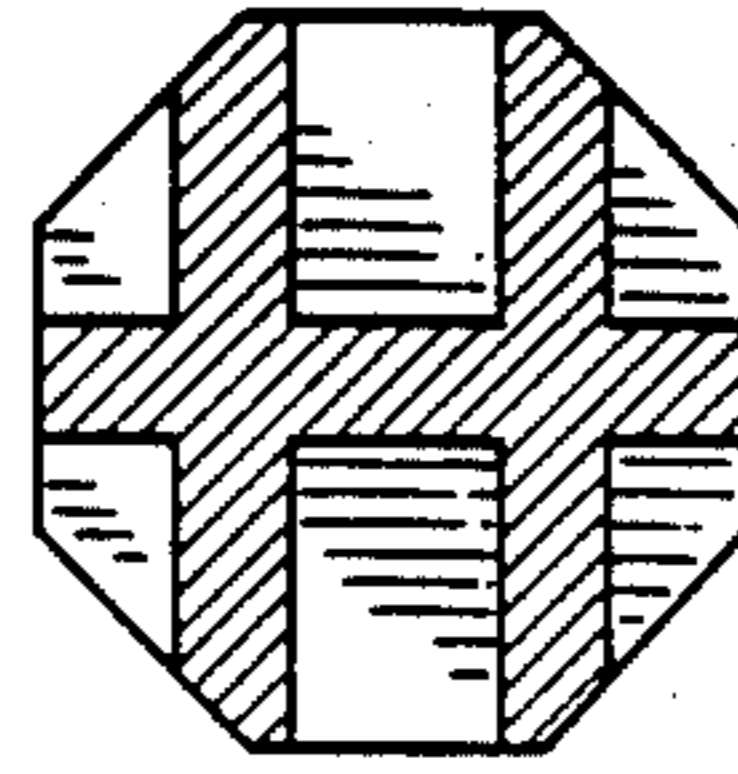
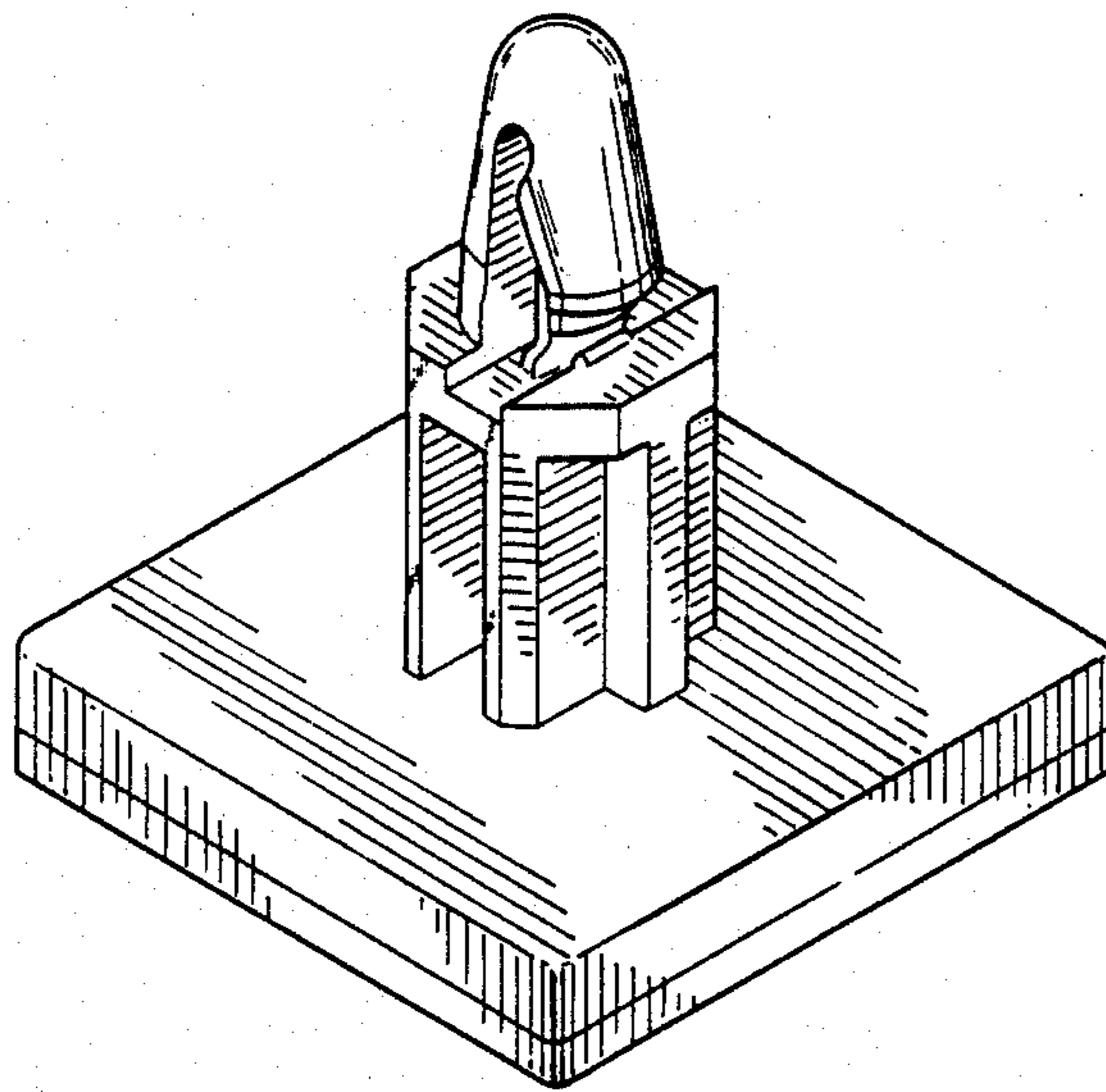


Fig. 9



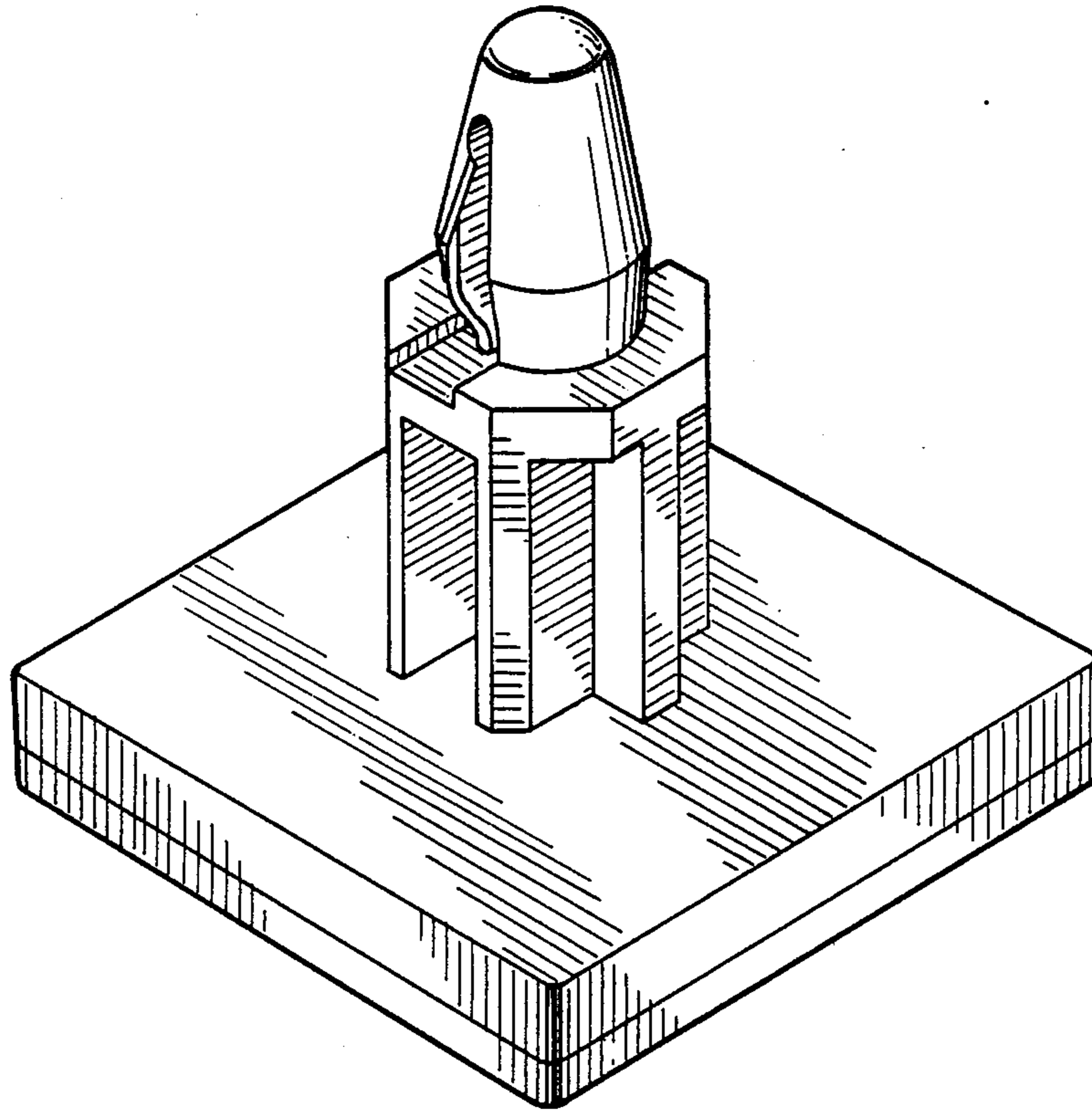


Fig. 10