

[54] CUTTING TOOL

3,118,228 1/1964 Adams 30/DIG. 3

[76] Inventor: Melvin S. Freedman, 25300 Hilltop Rd., Beachwood, Ohio 44122

Primary Examiner—Susan J. Lucas
Assistant Examiner—Clare E. Heflin
Attorney, Agent, or Firm—Barry H. Freedman

[**] Term: 14 Years

[57] CLAIM

[21] Appl. No.: 690,317

The ornamental design for a cutting tool, as shown and described.

[22] Filed: Jan. 10, 1985

[52] U.S. Cl. D8/98

[58] Field of Search D8/98, 99, 102;
30/314-317, 294, DIG. 3, 280

DESCRIPTION

[56] References Cited

U.S. PATENT DOCUMENTS

- D. 194,859 3/1963 Haldeman et al. D8/102
- 2,018,149 10/1935 Randle et al. 30/294
- 2,437,896 3/1948 Rutledge 30/294

FIG. 1 is a perspective view of the cutting tool showing my new design;
 FIG. 2 is a front elevational view thereof;
 FIG. 3 is a rear elevational view thereof;
 FIG. 4 is a top plan view thereof;
 FIG. 5 is a bottom plan view thereof;
 FIG. 6 is a left end elevational view thereof; and
 FIG. 7 is a right end elevational view thereof.

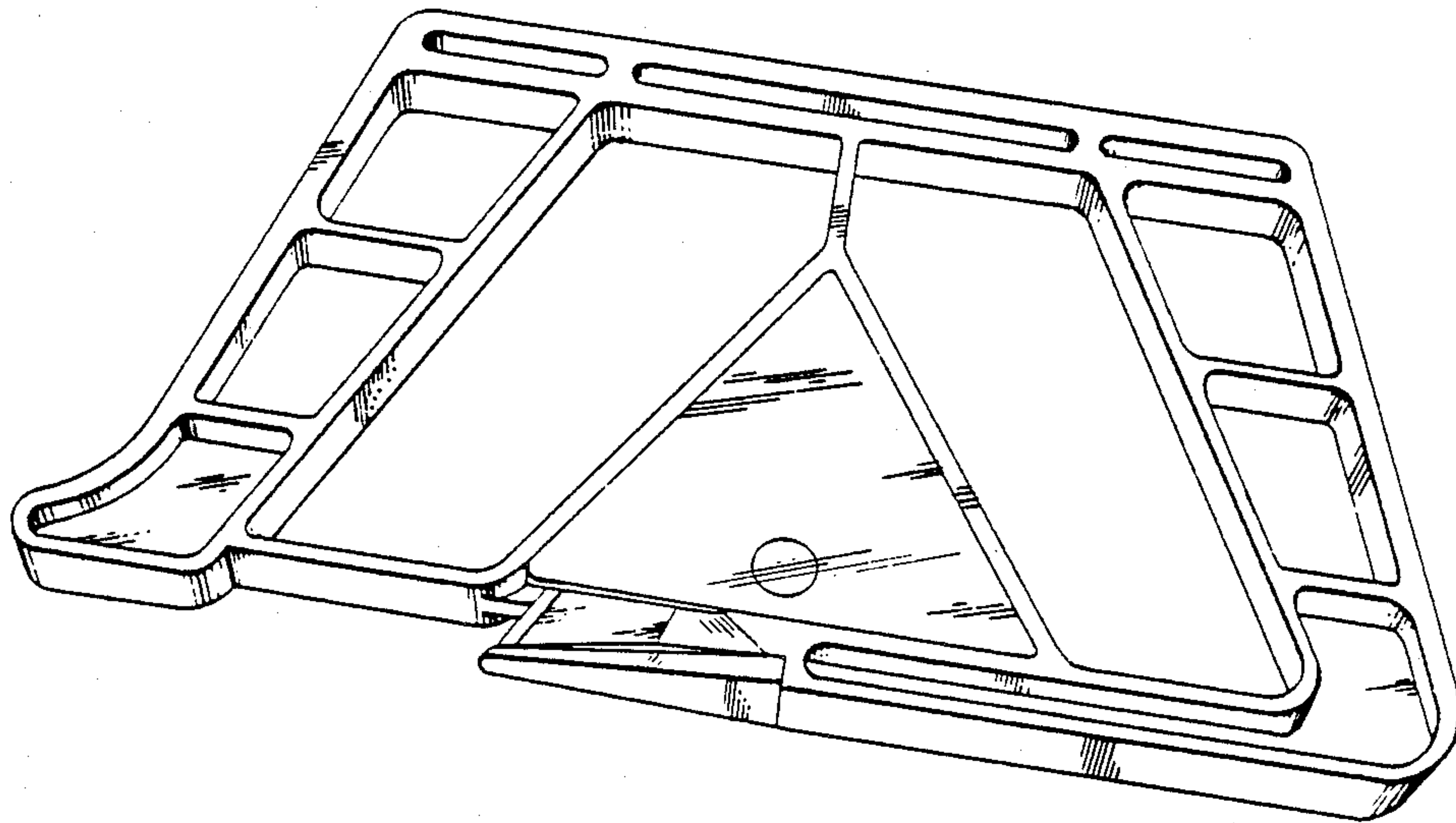


FIG. 1

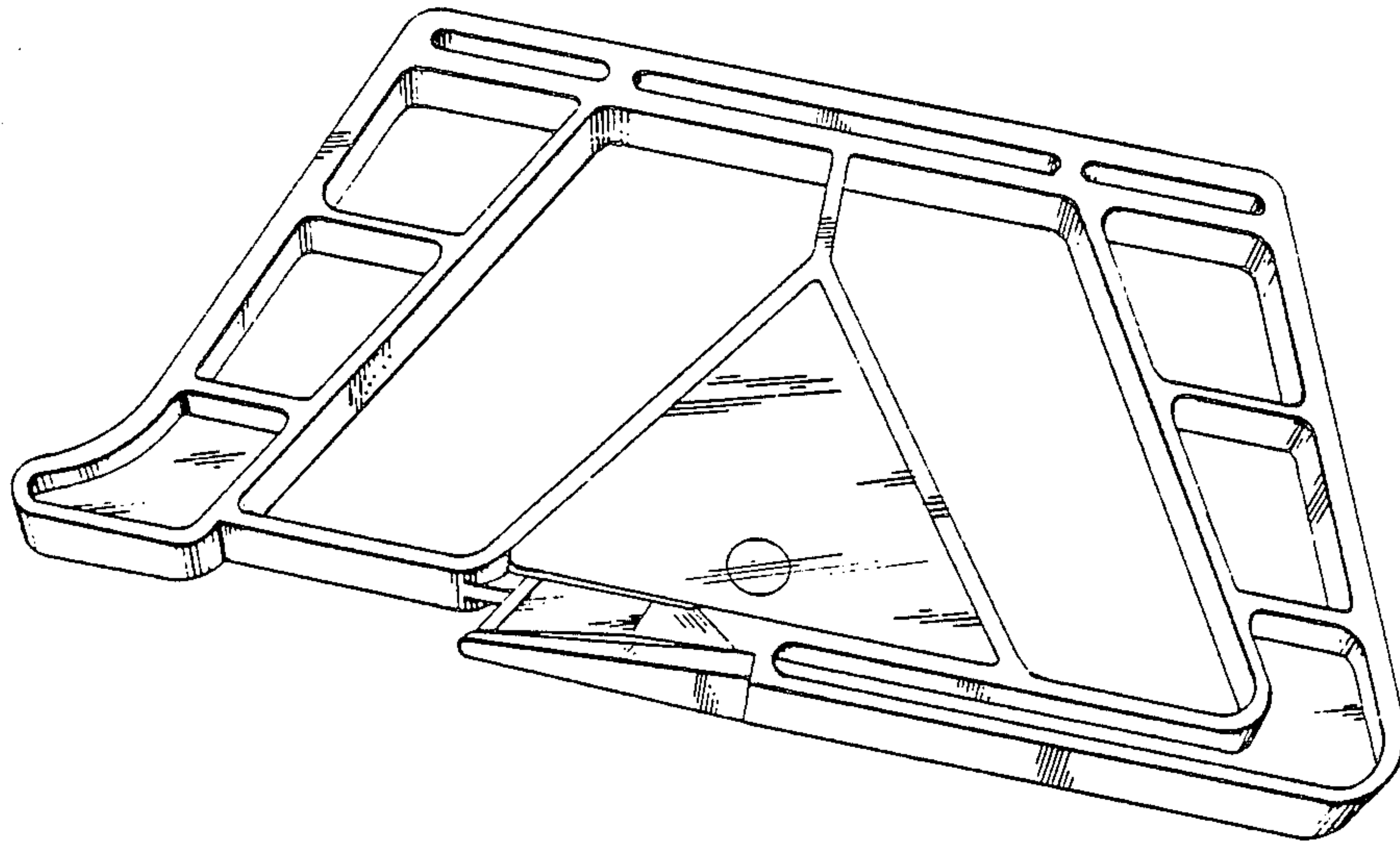


FIG. 2

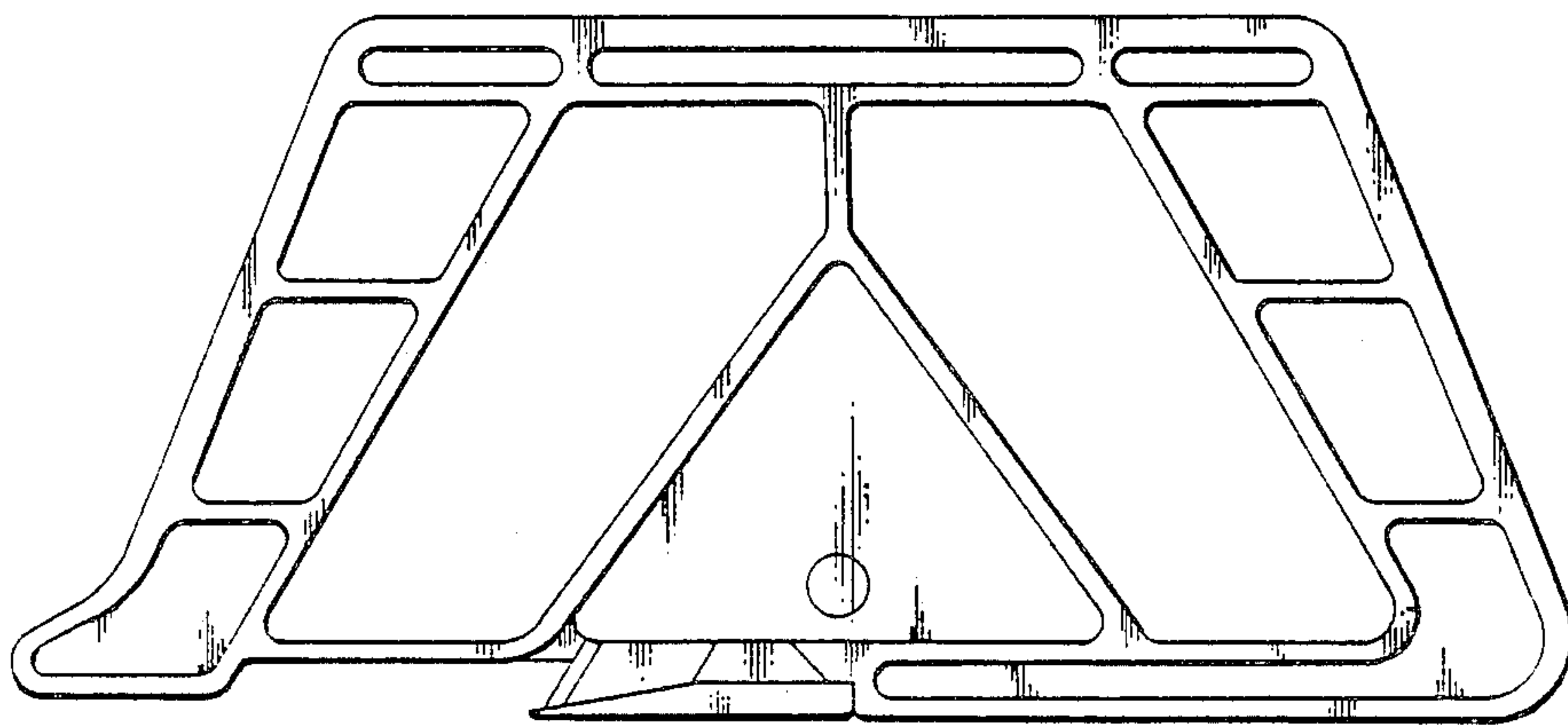


FIG. 3

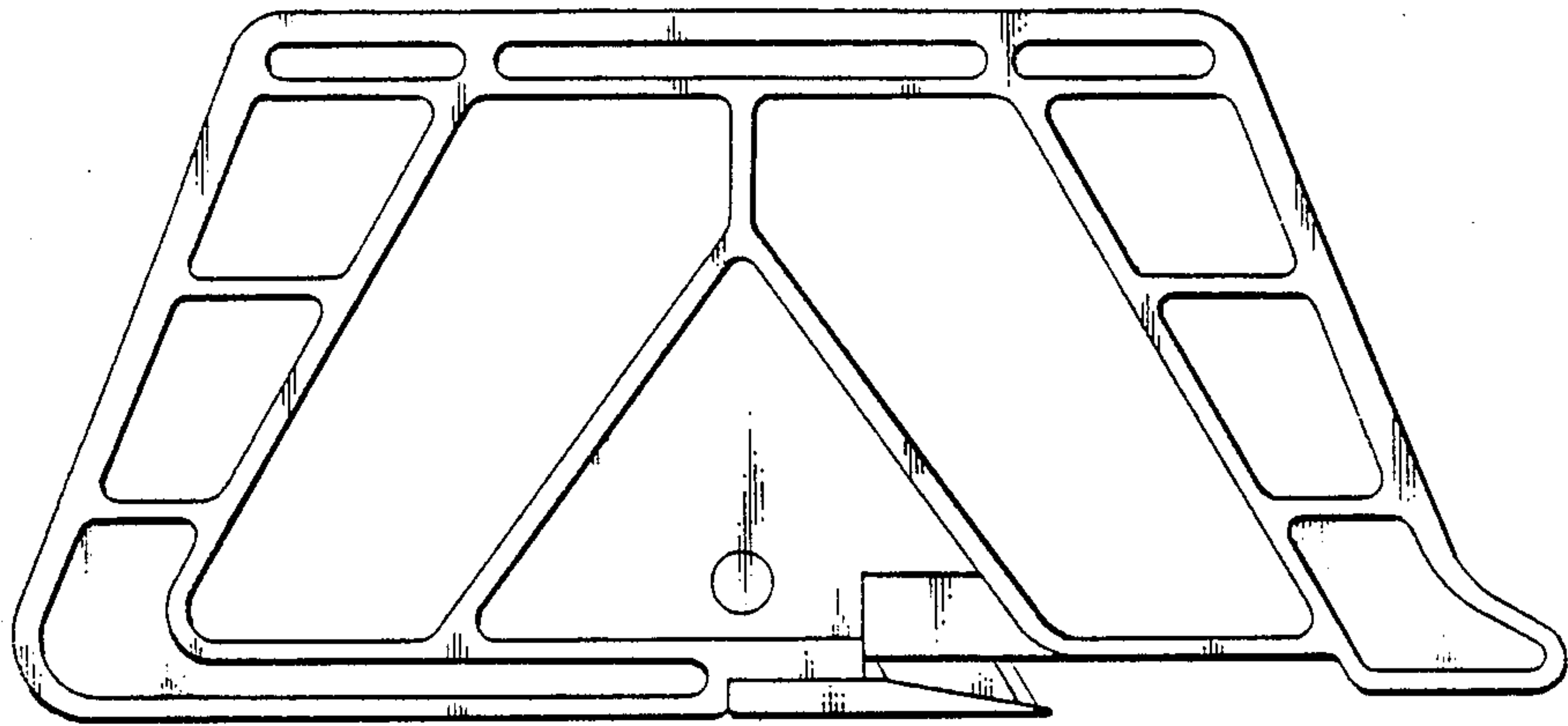


FIG. 4



FIG. 5



FIG. 6

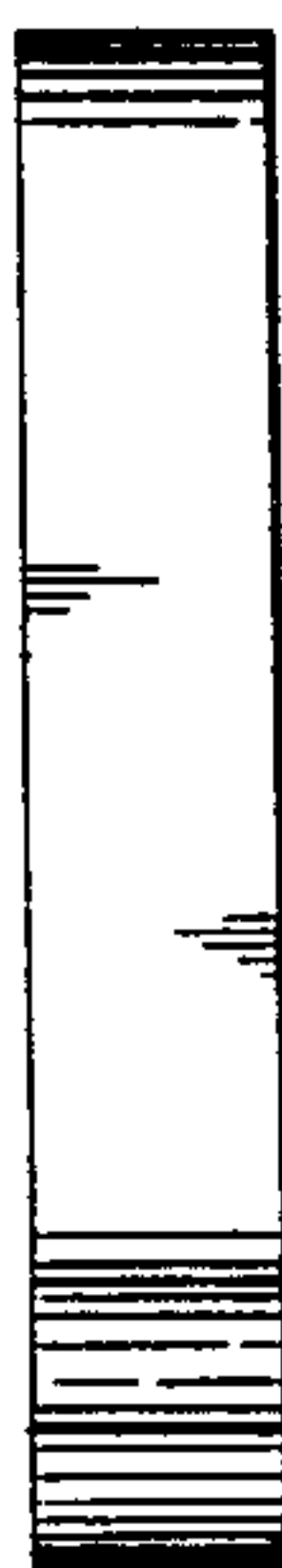


FIG. 7

