

[54] CORDLESS LAMINATE TRIMMER OR THE LIKE

4,319,860 3/1982 Beares 144/134 D X
4,606,685 8/1986 Maier et al. 409/182 X

[75] Inventors: Fusao Fushiya; Nobuo Hakamata; Michio Okumura, all of Anjo, Japan

[73] Assignee: Makita Electric Works, Ltd., Aichi, Japan

[**] Term: 14 Years

[21] Appl. No.: 817,285

[22] Filed: Jan. 9, 1986

[30] Foreign Application Priority Data

Jul. 10, 1985 [JP] Japan 60-29421

[52] U.S. Cl. D8/61

[58] Field of Search D8/61, 67; 144/134 R, 144/134 D, 136 R, 136 C; 409/180-182

[56] References Cited

U.S. PATENT DOCUMENTS

4,143,691 3/1979 Robinson 144/134 D

OTHER PUBLICATIONS

Black and Decker Industrial/Construction Division catalogue 1982, p. 40, #3265 laminate trimmer.

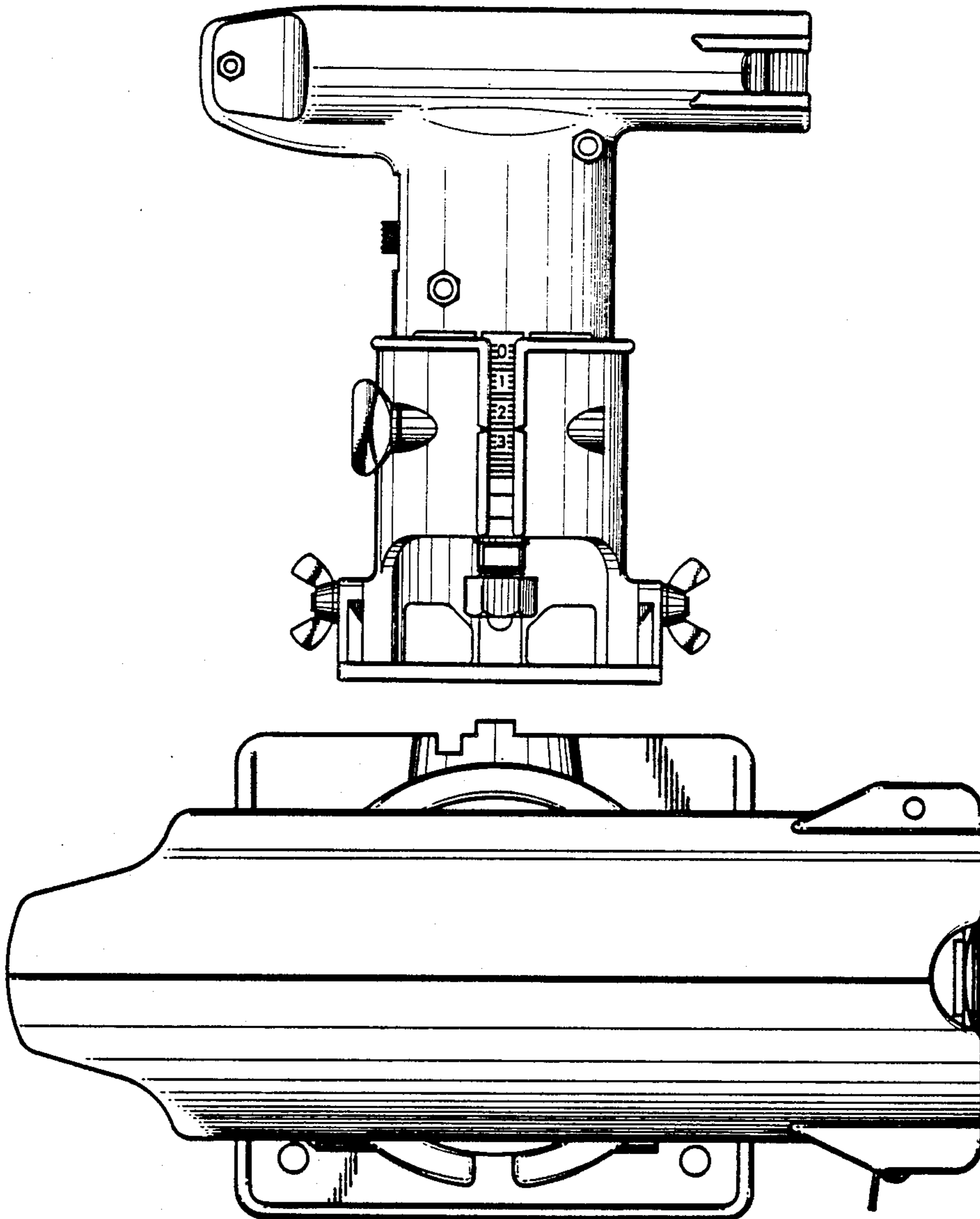
Primary Examiner—Wallace R. Burke
Assistant Examiner—Brian N. Vinson
Attorney, Agent, or Firm—Dennison, Meserole, Pollack & Scheiner

CLAIM

[57] The ornamental design for a cordless laminate trimmer or the like, as shown and described.

DESCRIPTION

FIG. 1 is a front elevational view of a cordless laminate trimmer or the like showing our new design; FIG. 2 is a rear elevational view thereof; FIG. 3 is a left side elevational view thereof; FIG. 4 is a right side elevational view thereof; FIG. 5 is a top plan view thereof; and FIG. 6 is a bottom plan view thereof.



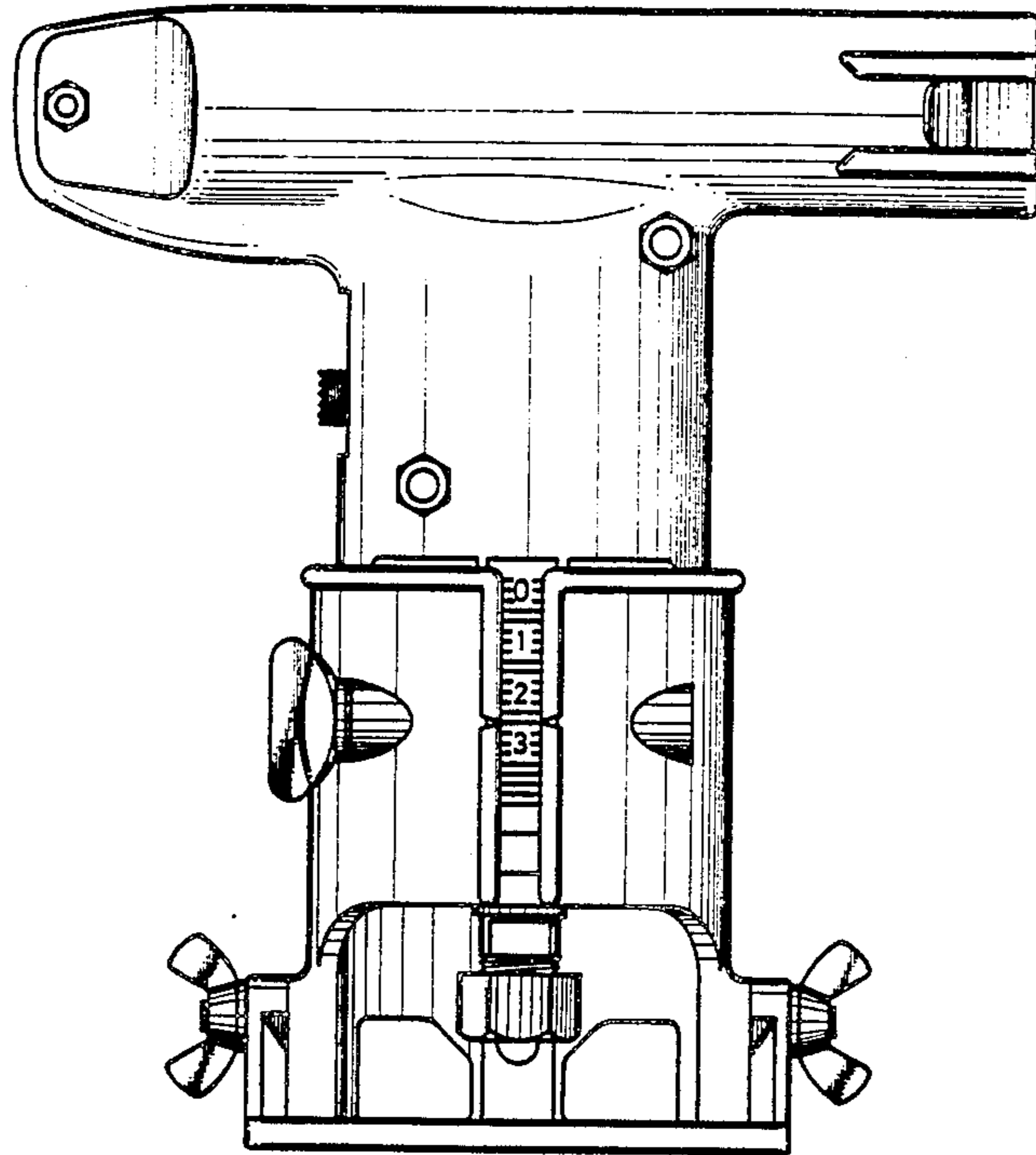


FIG. 1

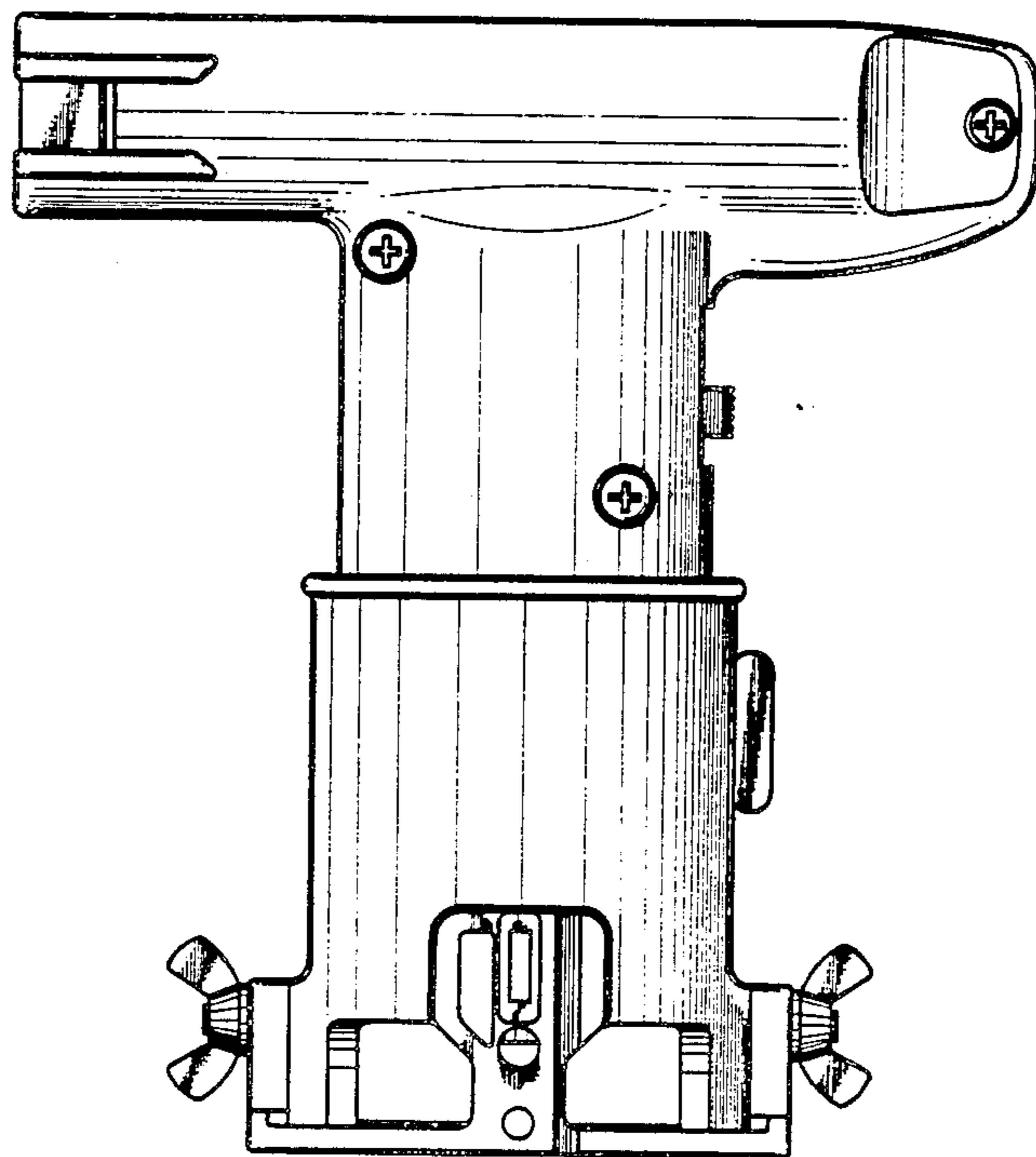


FIG. 2

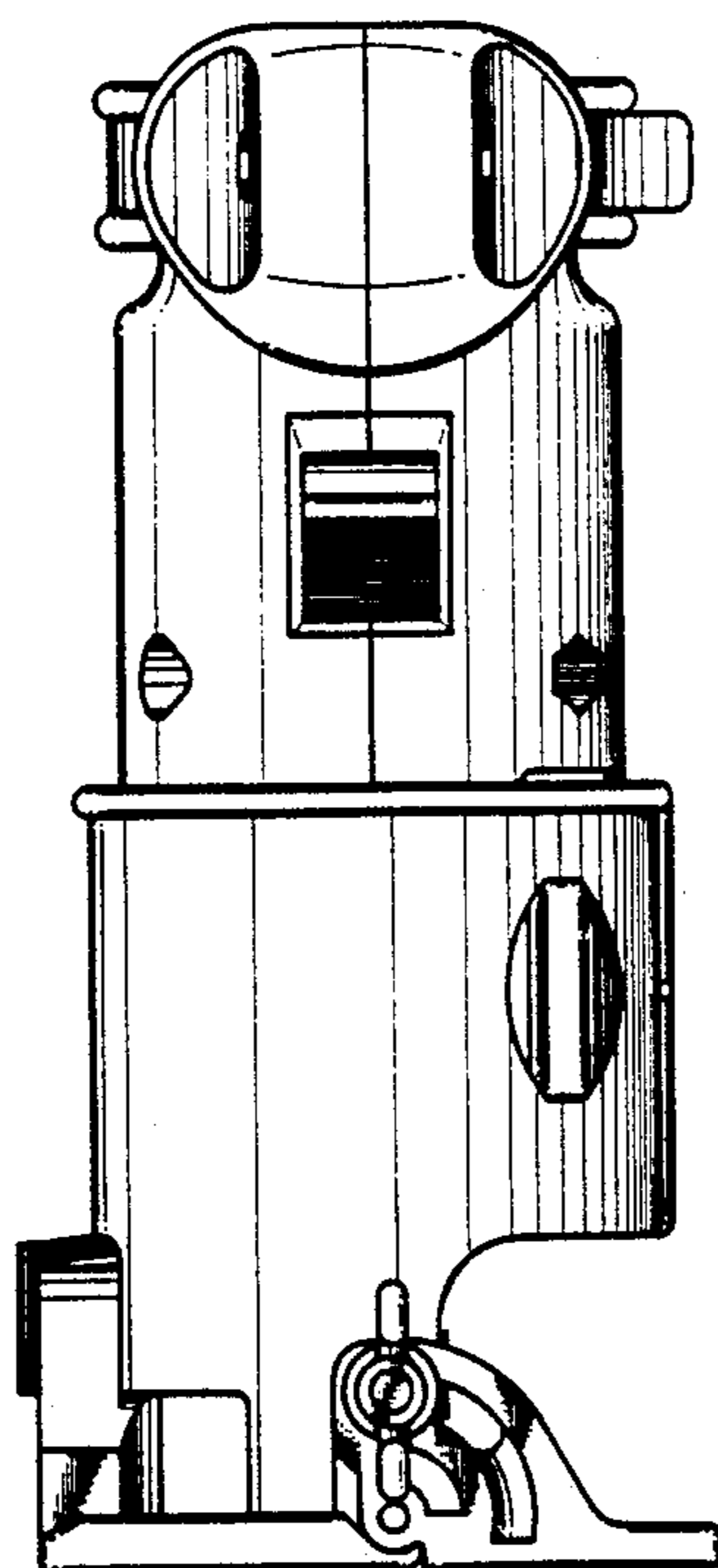


FIG. 3

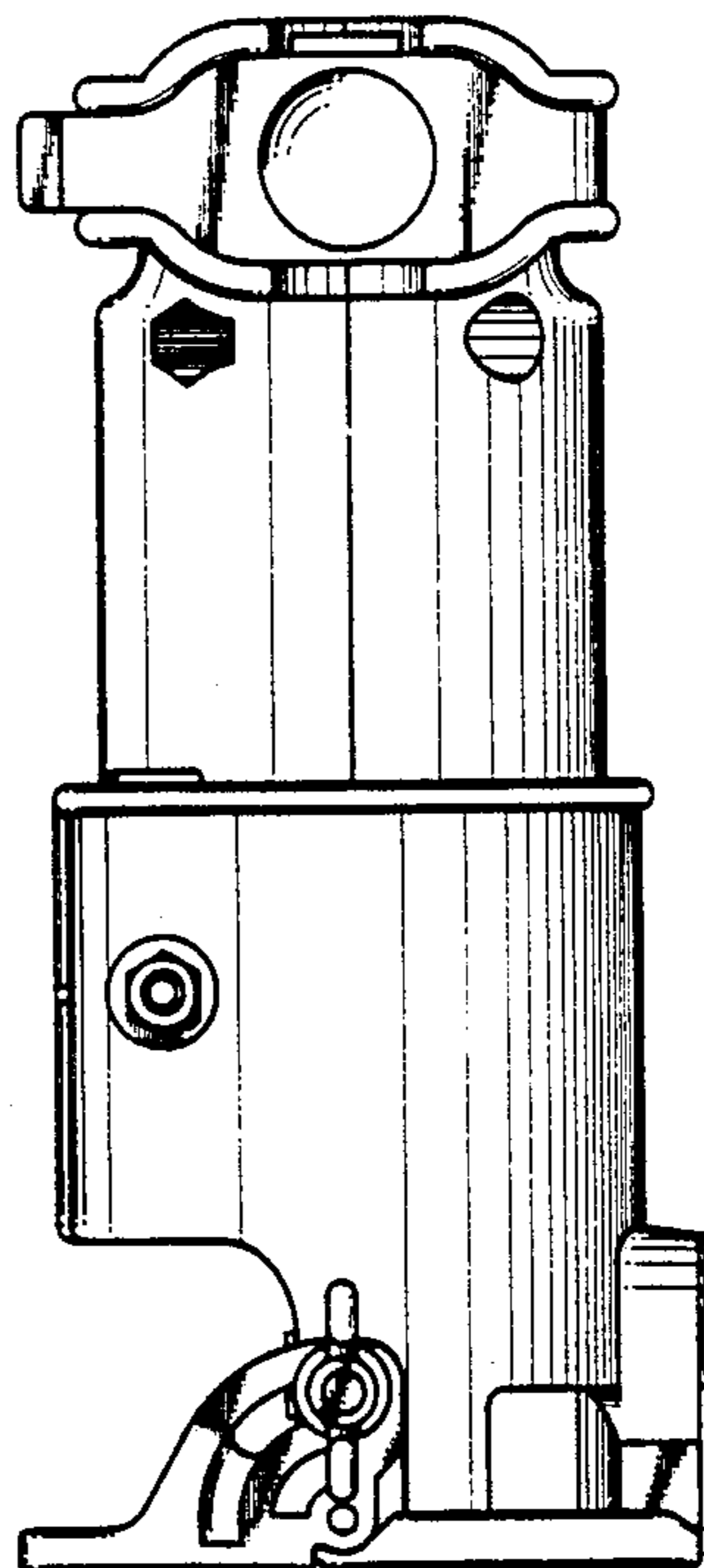


FIG. 4

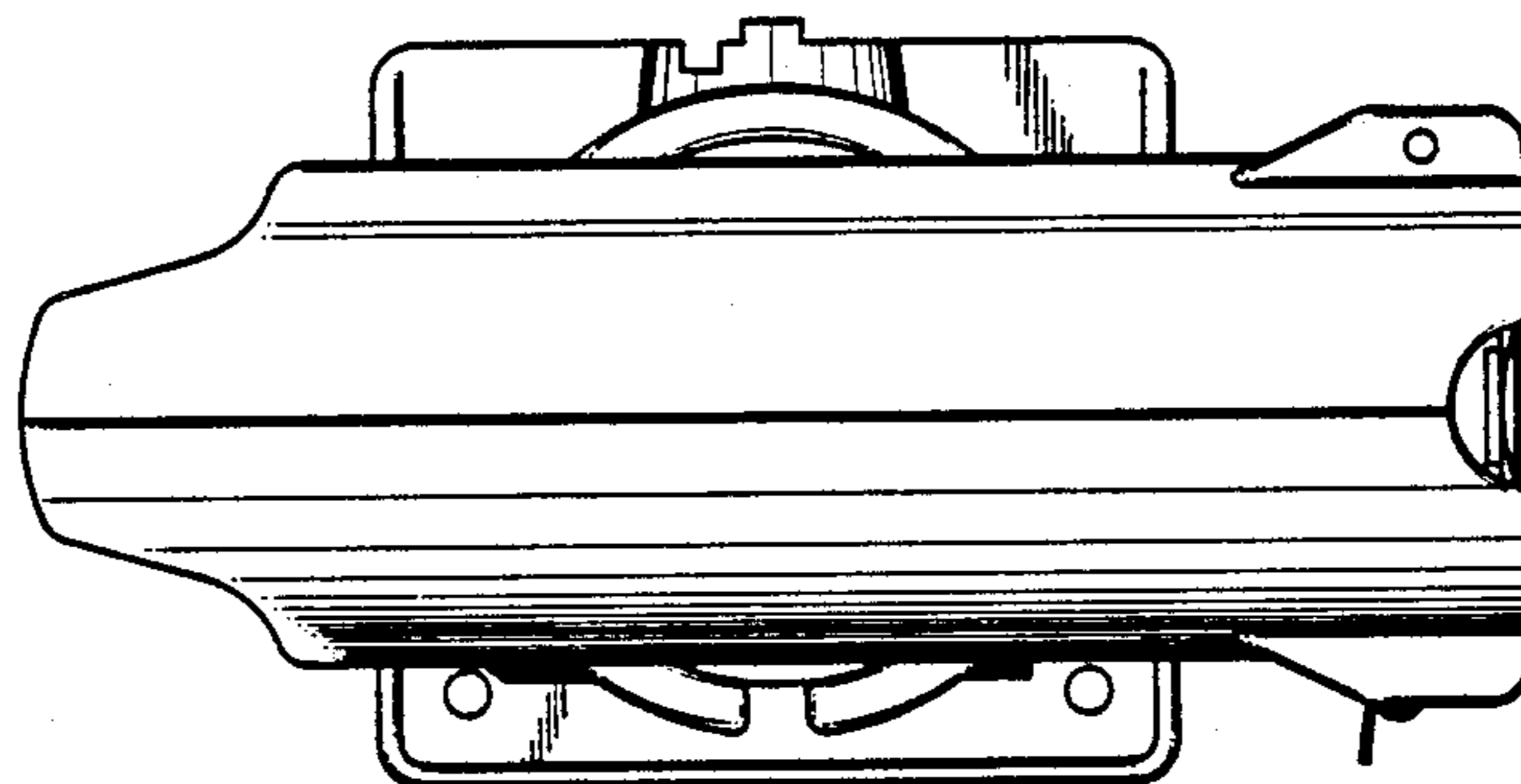


FIG. 5

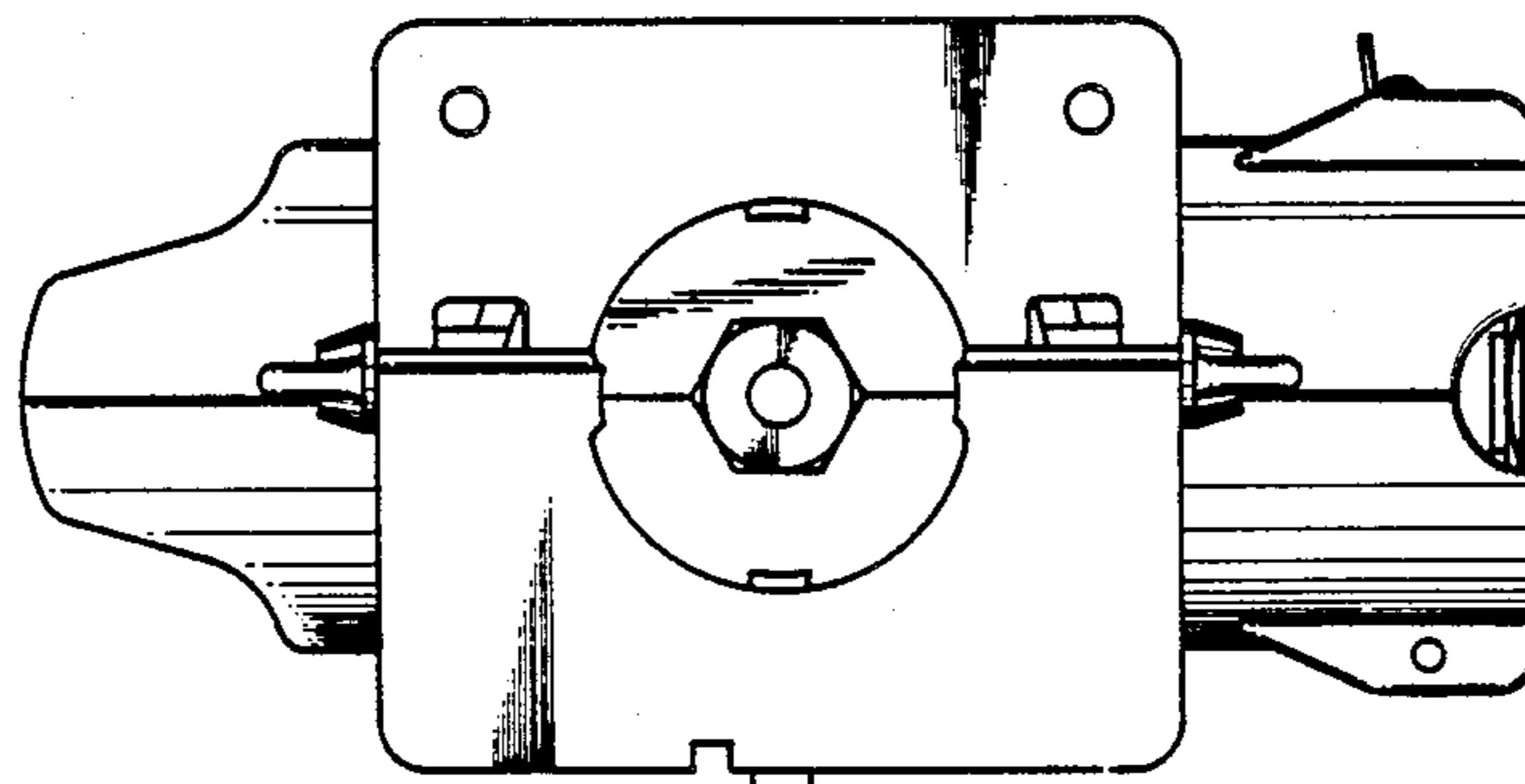


FIG. 6