

[54] COFFEE GRINDER

[56]

References Cited

U.S. PATENT DOCUMENTS

[75] Inventors: Charles A. Nidiffer, Decatur;  
Raymond E. Van Camp, Rochester,  
both of Ill.

D. 182,481 4/1958 Schuhmann ..... D7/373  
D. 290,332 6/1987 Foley et al. .... D7/373  
3,094,290 6/1963 Engi ..... 241/100

[73] Assignee: Bunn-O-Matic Corporation,  
Springfield, Ill.

Primary Examiner—Susan J. Lucas  
Assistant Examiner—Ruth Takemoto  
Attorney, Agent, or Firm—Lockwood, Alex, FitzGibbon  
& Cummings

[\*\*] Term: 14 Years

[57]

CLAIM

The ornamental design for a coffee grinder, as shown  
and described.

[21] Appl. No.: 737,946

DESCRIPTION

[22] Filed: May 28, 1985  
[52] U.S. Cl. .... D7/373  
[58] Field of Search ..... D7/372-374,  
D7/368, 53, 513-514; 241/83, 100, 168, 169,  
169.1, 244, 248, 277, 282.1, 282.2; 99/286

FIG. 1 is a perspective view of a coffee grinder showing  
our new design;  
FIG. 2 is a left side elevational view thereof;  
FIG. 3 is a front elevational view thereof;  
FIG. 4 is a rear elevational view thereof;  
FIG. 5 is a top plan view thereof; and  
FIG. 6 is a bottom plan view thereof.

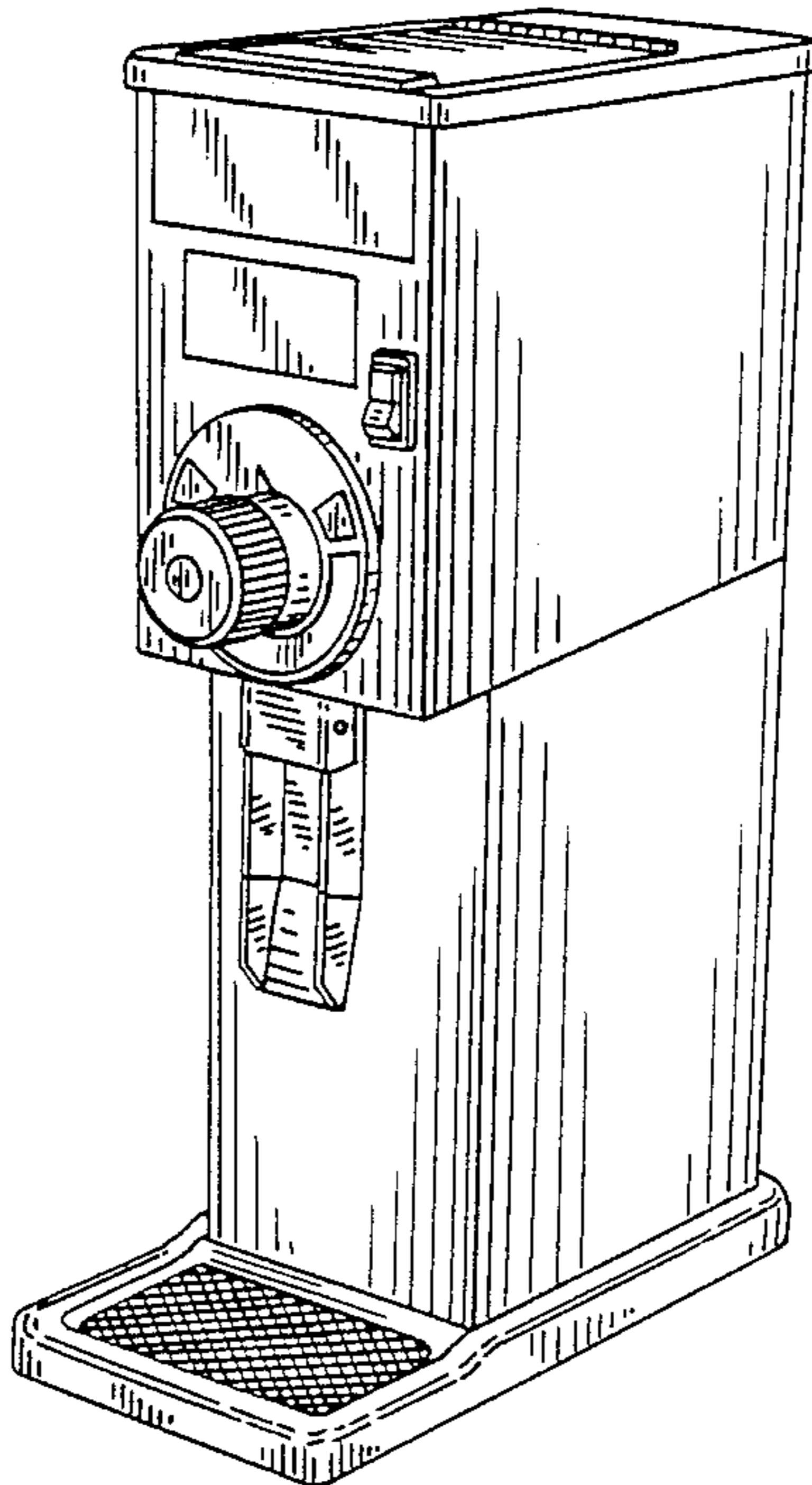


FIG-1

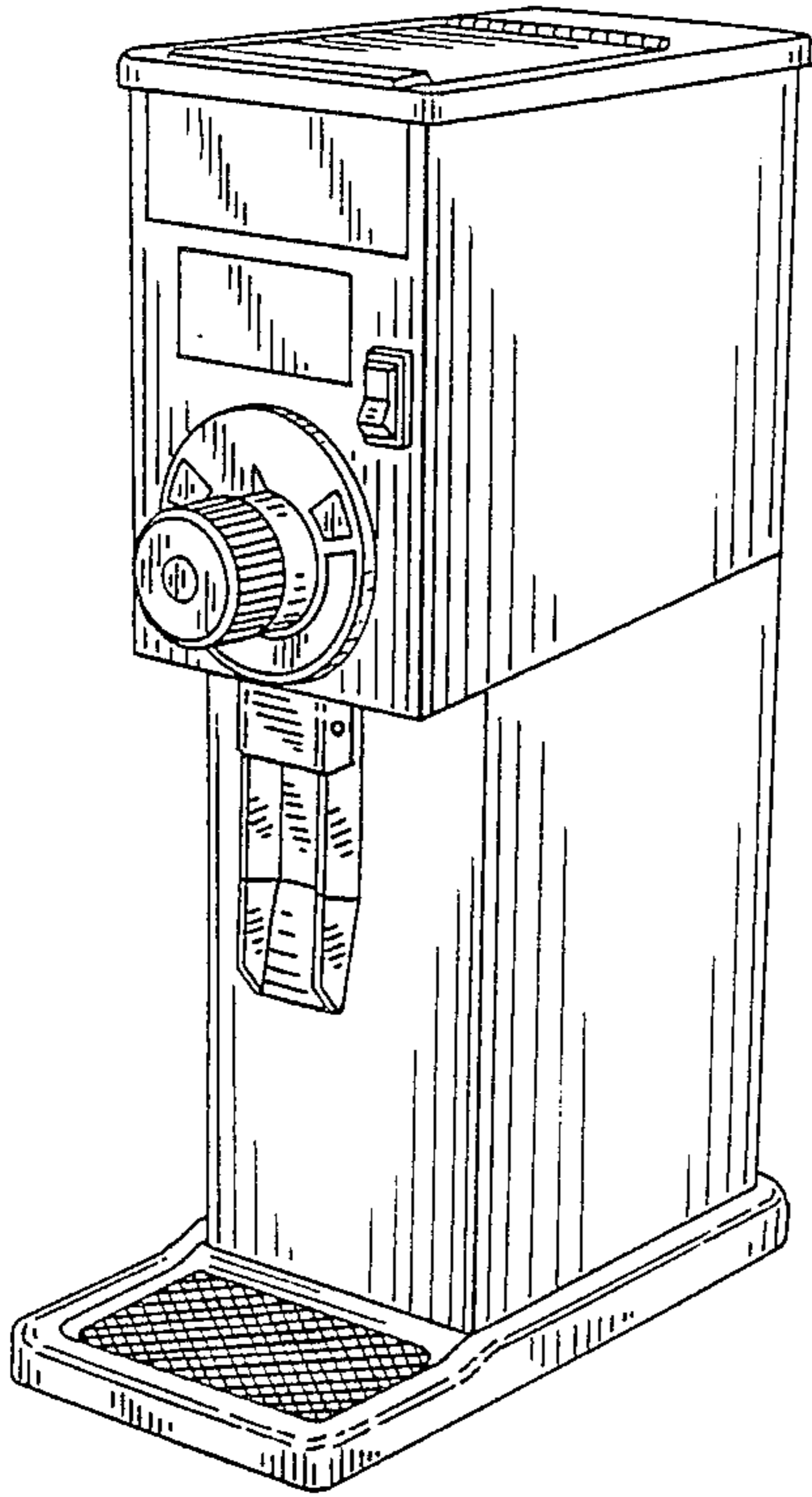


FIG-2

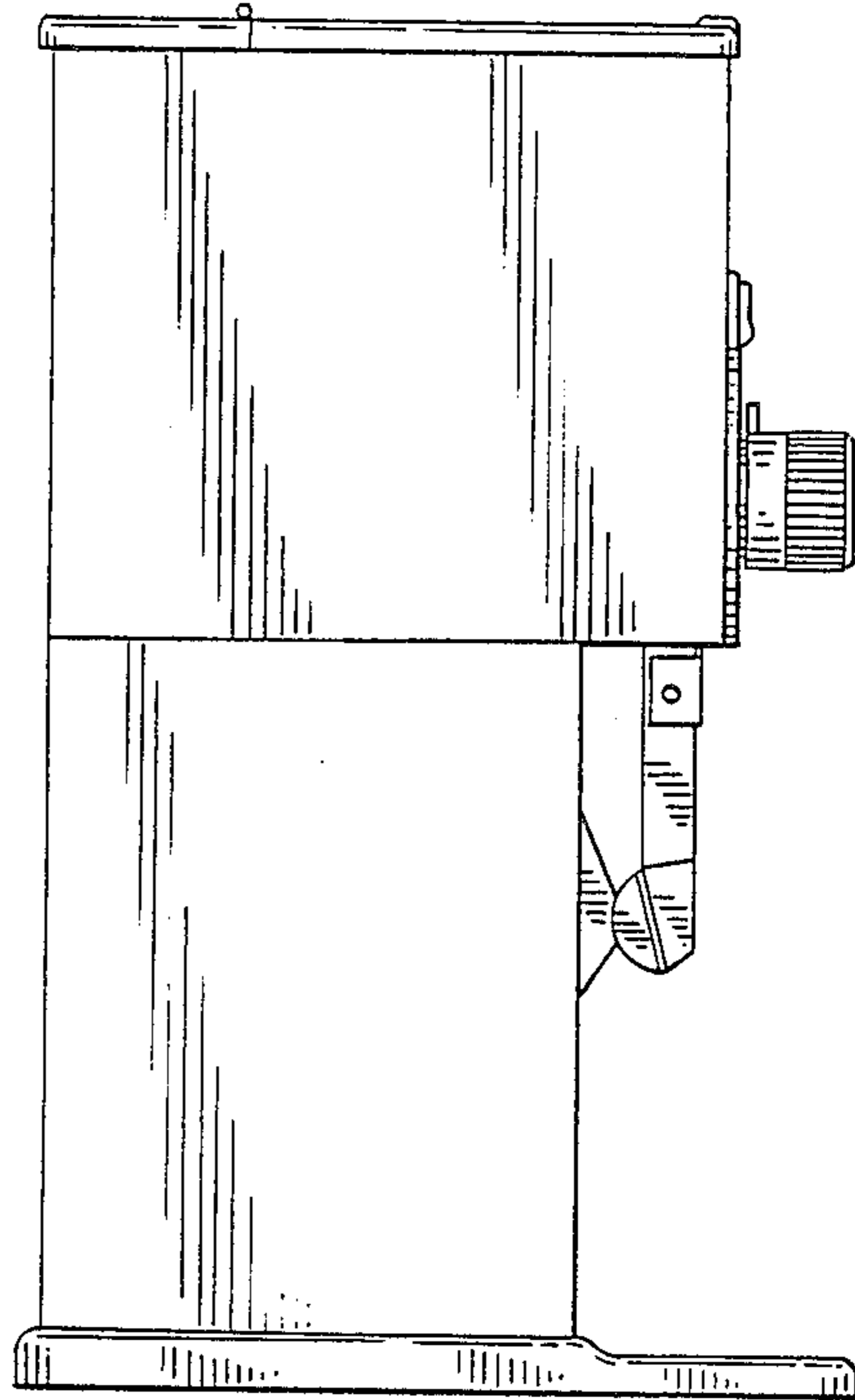


FIG-3

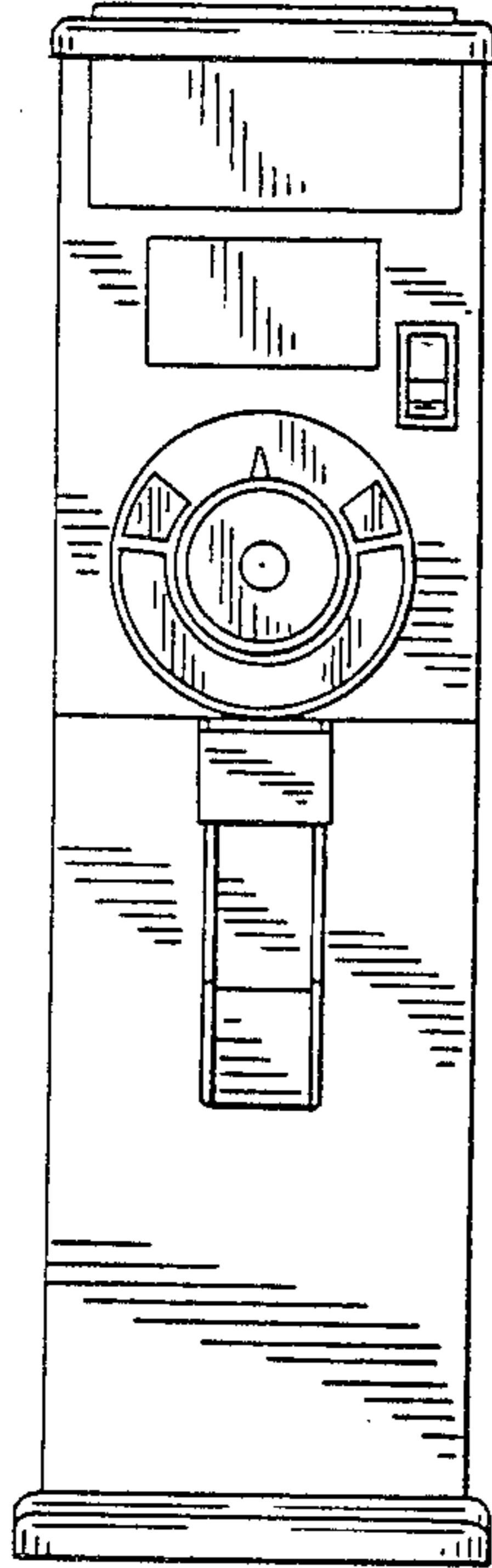


FIG-4

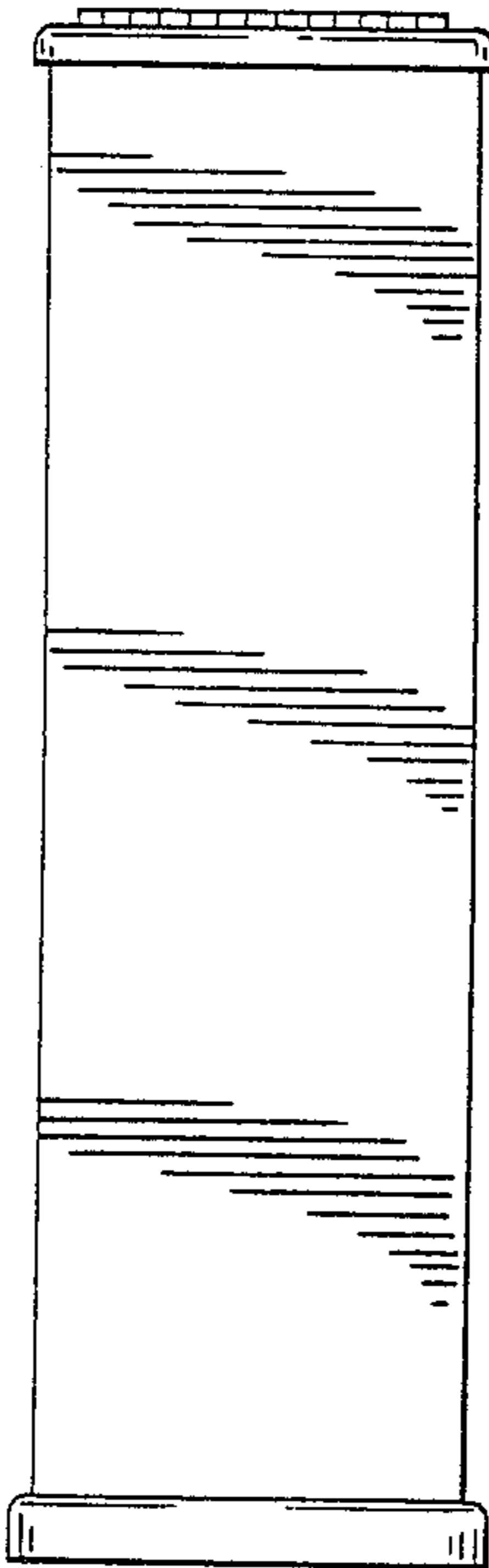


FIG-5

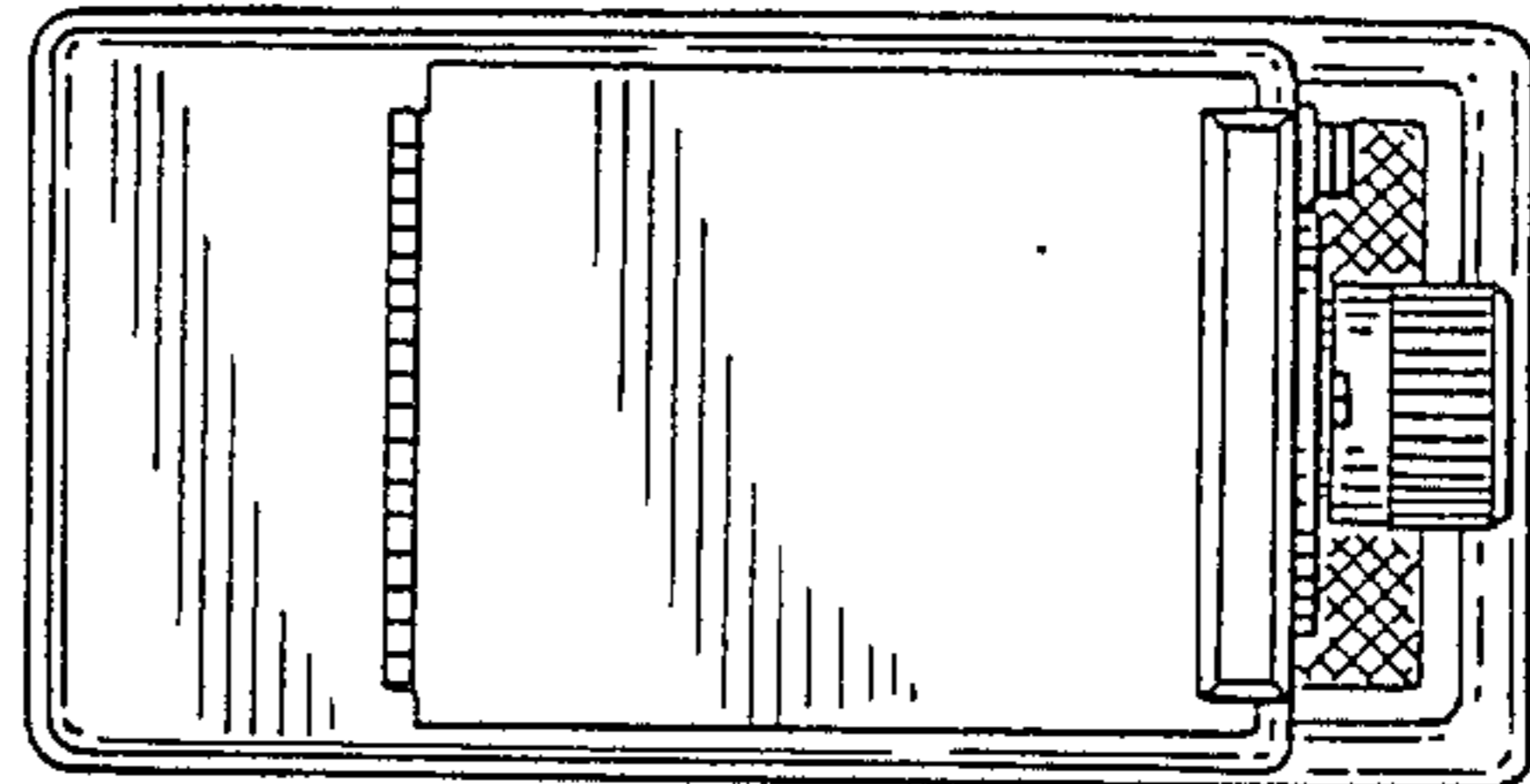


FIG-6

