

[54] MICROWAVE OVEN

[56]

References Cited

[75] Inventors: Masayoshi Kubo; Masuo Ichihara, both of Nara; Katsutoshi Kido, Kyoto; Tomoyasu Hiratsuka, Nara, all of Japan

U.S. PATENT DOCUMENTS

- D. 256,765 9/1980 Yamamura et al. D7/351
- D. 266,825 11/1982 Yamamura et al. D7/351
- D. 269,842 7/1983 Yamamura et al. D7/351
- D. 290,805 7/1987 Kubo et al. D7/351
- D. 291,048 7/1987 Kubo et al. D7/351

[73] Assignee: Matsushita Electric Industrial Co., Ltd., Osaka, Japan

Primary Examiner—Susan J. Lucas
Assistant Examiner—R. Takemoto
Attorney, Agent, or Firm—Sughrue, Mion, Zinn, Macpeak, and Seas

[**] Term: 14 Years

[57]

CLAIM

[21] Appl. No.: 758,930

The ornamental design for a microwave oven, as shown.

[22] Filed: Jul. 25, 1985

DESCRIPTION

[30] Foreign Application Priority Data

- Jan. 28, 1985 [JP] Japan 60-2661
- [52] U.S. Cl. D7/351
- [58] Field of Search D7/350, 351;
219/10.55 R, 10.55 A, 10.55 B, 10.55 C, 10.55
D, 10.55 E, 10.55 M

FIG. 1 is a front, top and right side perspective view of a microwave oven showing our new design;
FIG. 2 is a rear, bottom and left side perspective view thereof;
FIG. 3 is a top plan view thereof; and
FIG. 4 is a right side elevational view thereof.

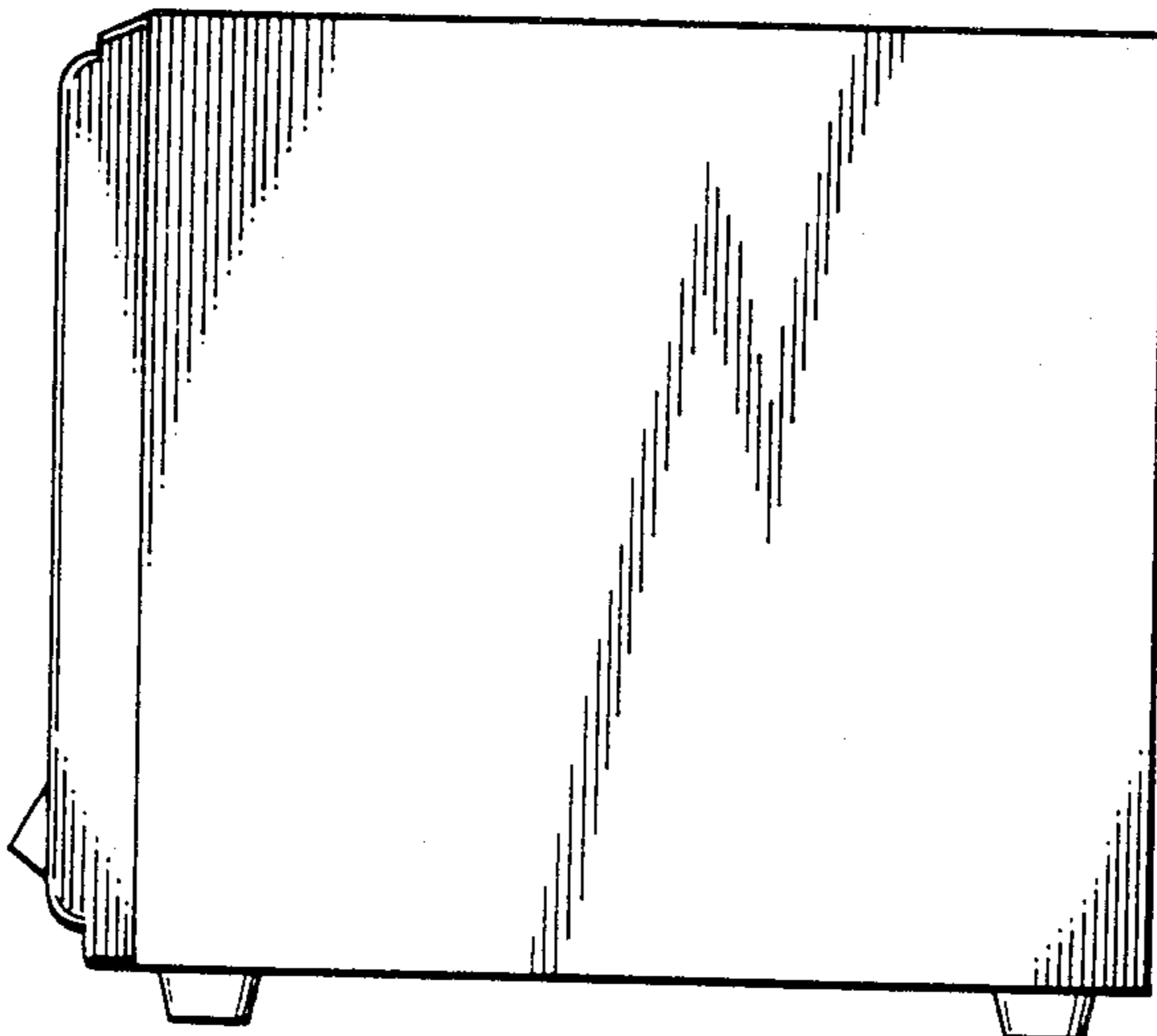
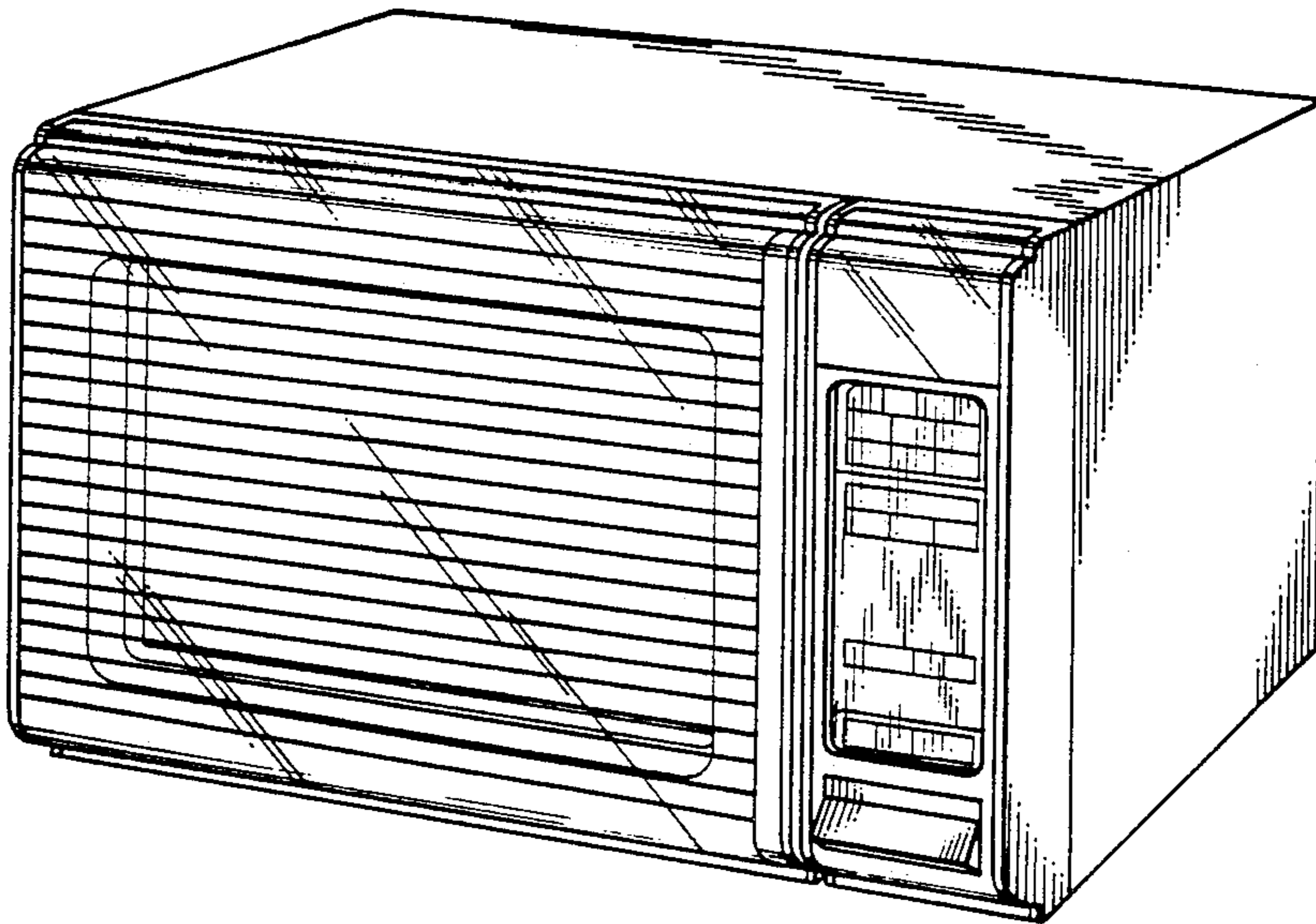


FIG. 1

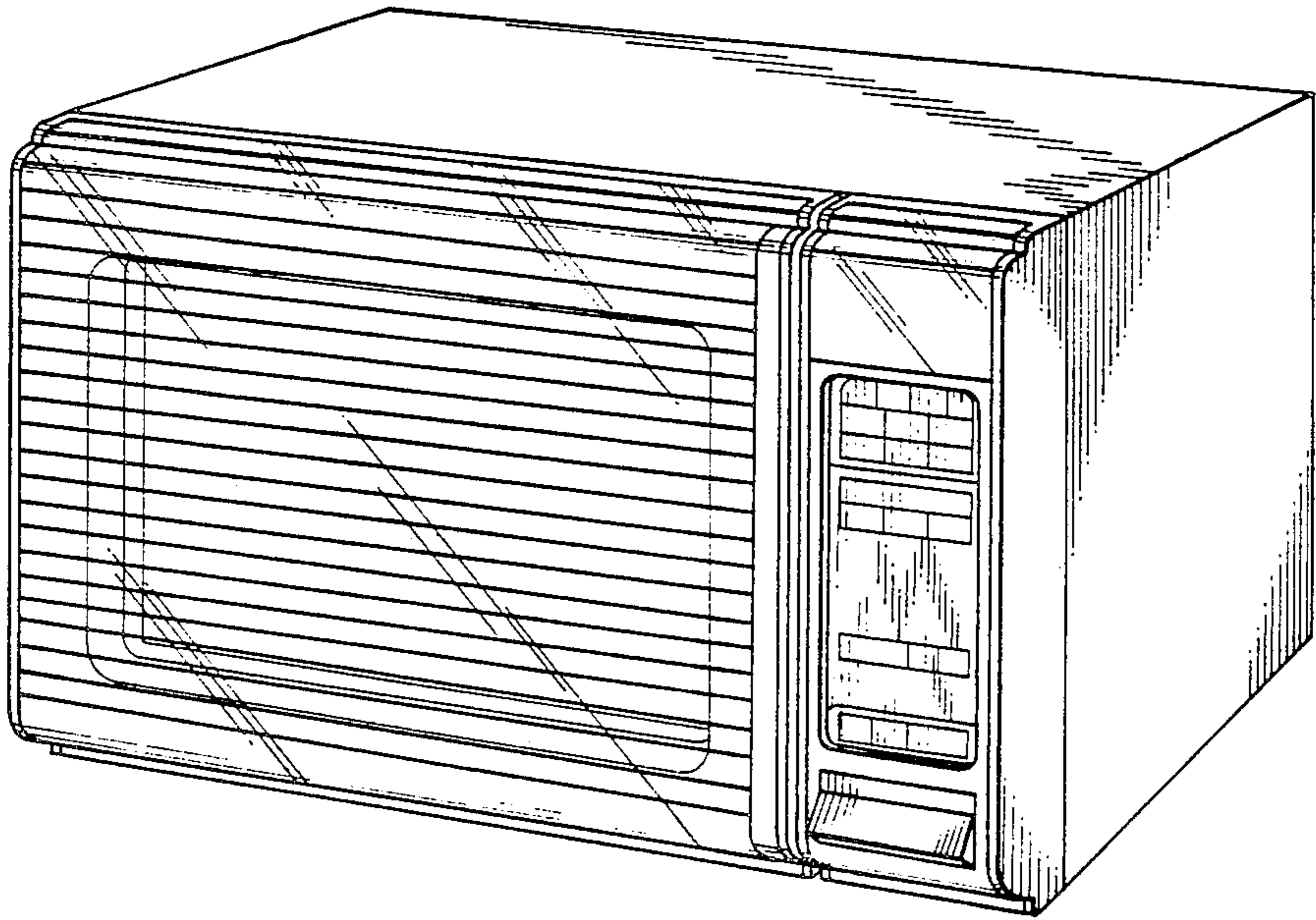


FIG. 2

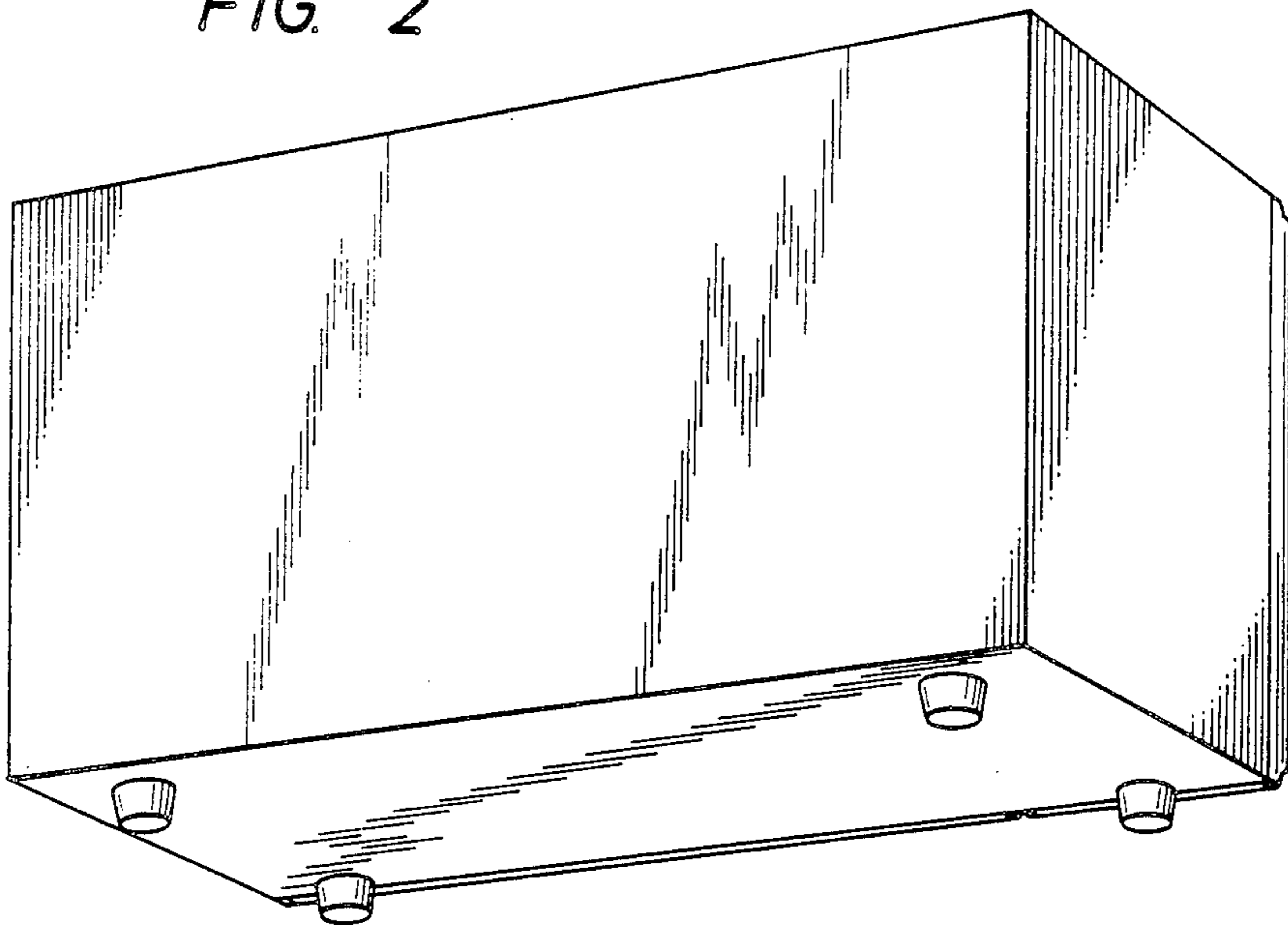


FIG. 3

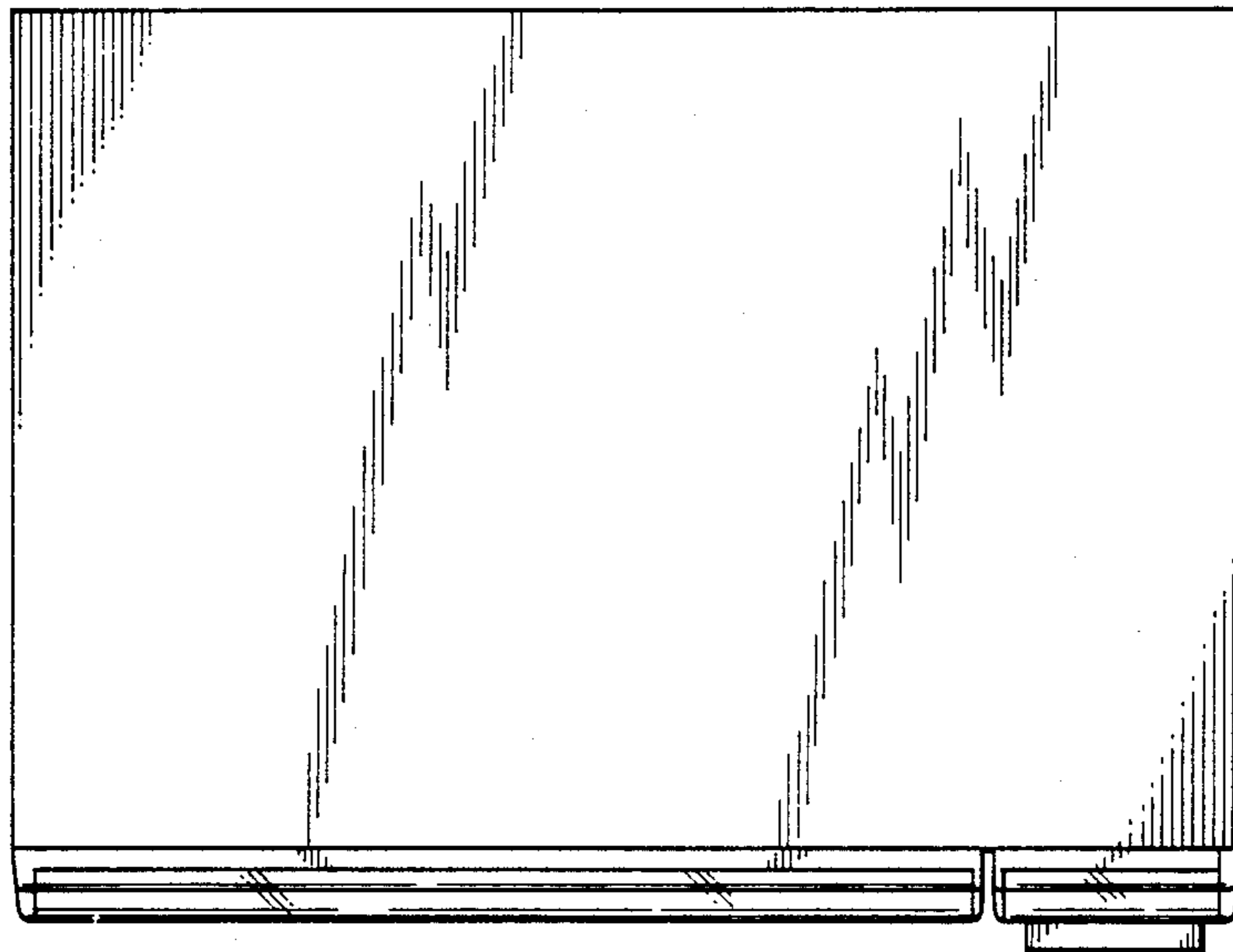


FIG. 4

