

[54] MICROWAVE OVEN

D. 257,208 10/1980 Yamamura et al. D7/351
D. 280,063 8/1985 Choi D7/351
D. 287,925 1/1987 Kubo et al. D7/351

[75] Inventors: Masayoshi Kubo; Masuo Ichihara,
both of Nara; Katsutoshi Kido,
Kyoto; Tomoyasu Hiratsuka;
Kensuke Mizuma, both of Nara, all of
Japan

FOREIGN PATENT DOCUMENTS

142425 9/1982 Japan D7/351

[73] Assignee: Matsushita Electric Industrial Co.,
Ltd., Osaka, Japan

OTHER PUBLICATIONS

Catalog sheet, Jan. 1985, sharp model R-5850.
Catalog sheet, May 1982, admiral MR 27B9.

[**] Term: 14 Years

Primary Examiner—Susan J. Lucas
Assistant Examiner—Ruth Takemoto
Attorney, Agent, or Firm—Sughrue, Mion, Zinn,
Macpeak, and Seas

[21] Appl. No.: 758,988

[22] Filed: Jul. 25, 1985

[30] Foreign Application Priority Data

Jan. 28, 1985 [JP] Japan 60-2659

[52] U.S. Cl. D7/351

[58] Field of Search D7/350, 351;
219/10.55 R, 10.55 A, 10.55 B, 10.55 C, 10.55
D, 10.55 E, 10.55 M

[57] CLAIM

The ornamental design for a microwave oven, as
shown.

[56] References Cited

U.S. PATENT DOCUMENTS

D. 251,105 2/1979 Graser et al. D7/351

DESCRIPTION

FIG. 1 is a front, top and right side perspective view of
a microwave oven showing our new design;
FIG. 2 is a rear, bottom and left side perspective view
thereof;
FIG. 3 is a top plan view thereof; and
FIG. 4 is a right side elevational view thereof.

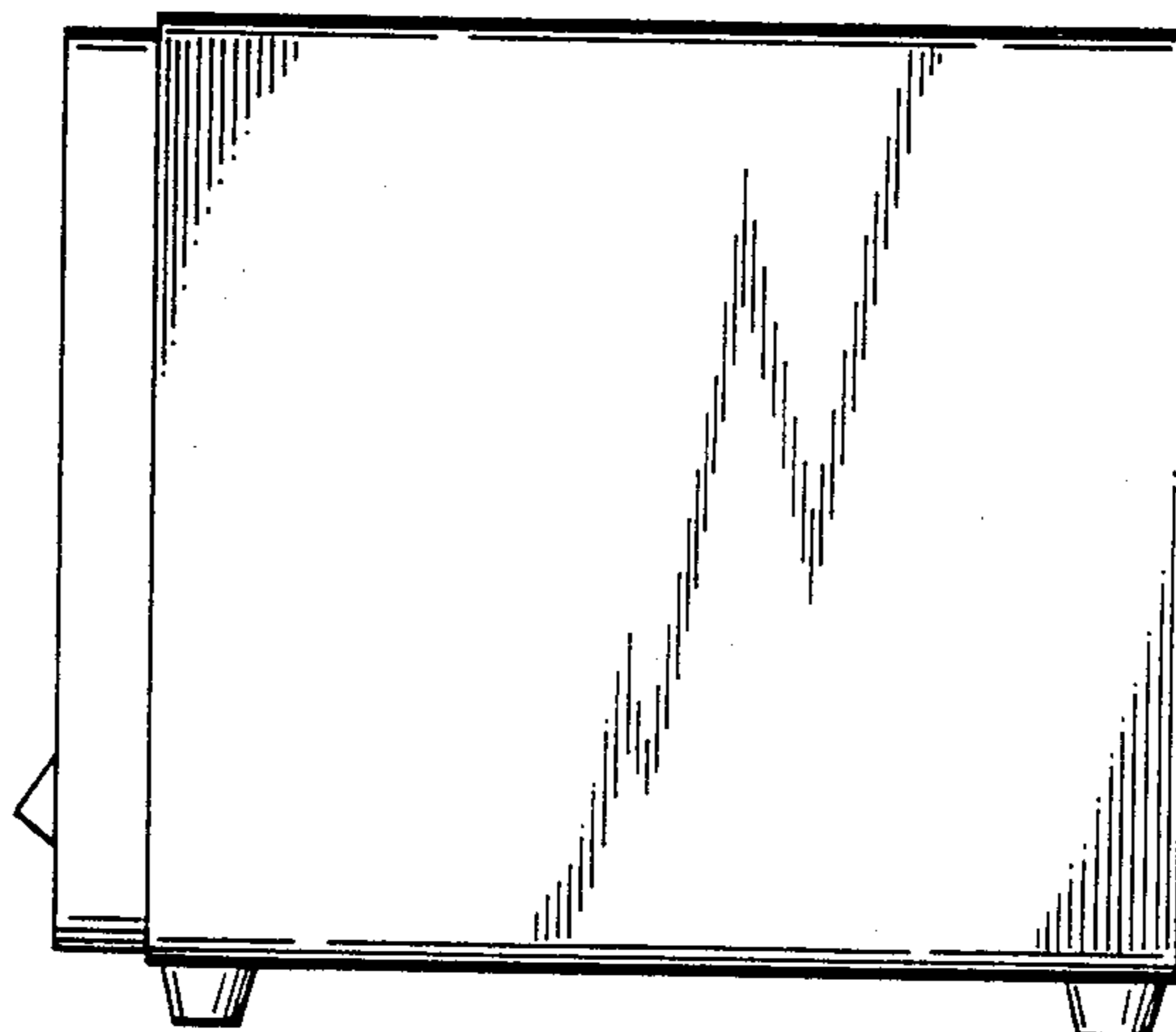
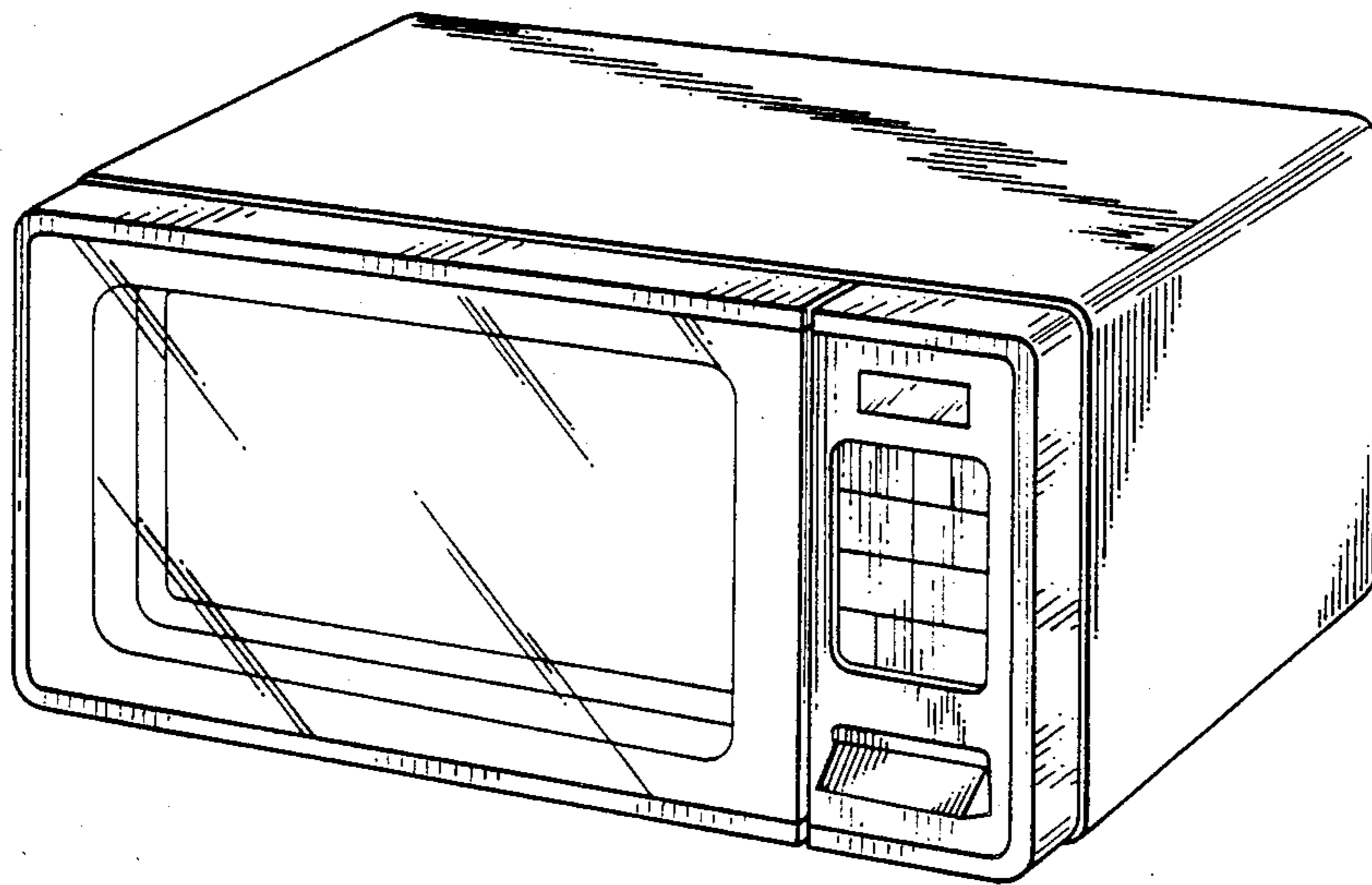


FIG. 1

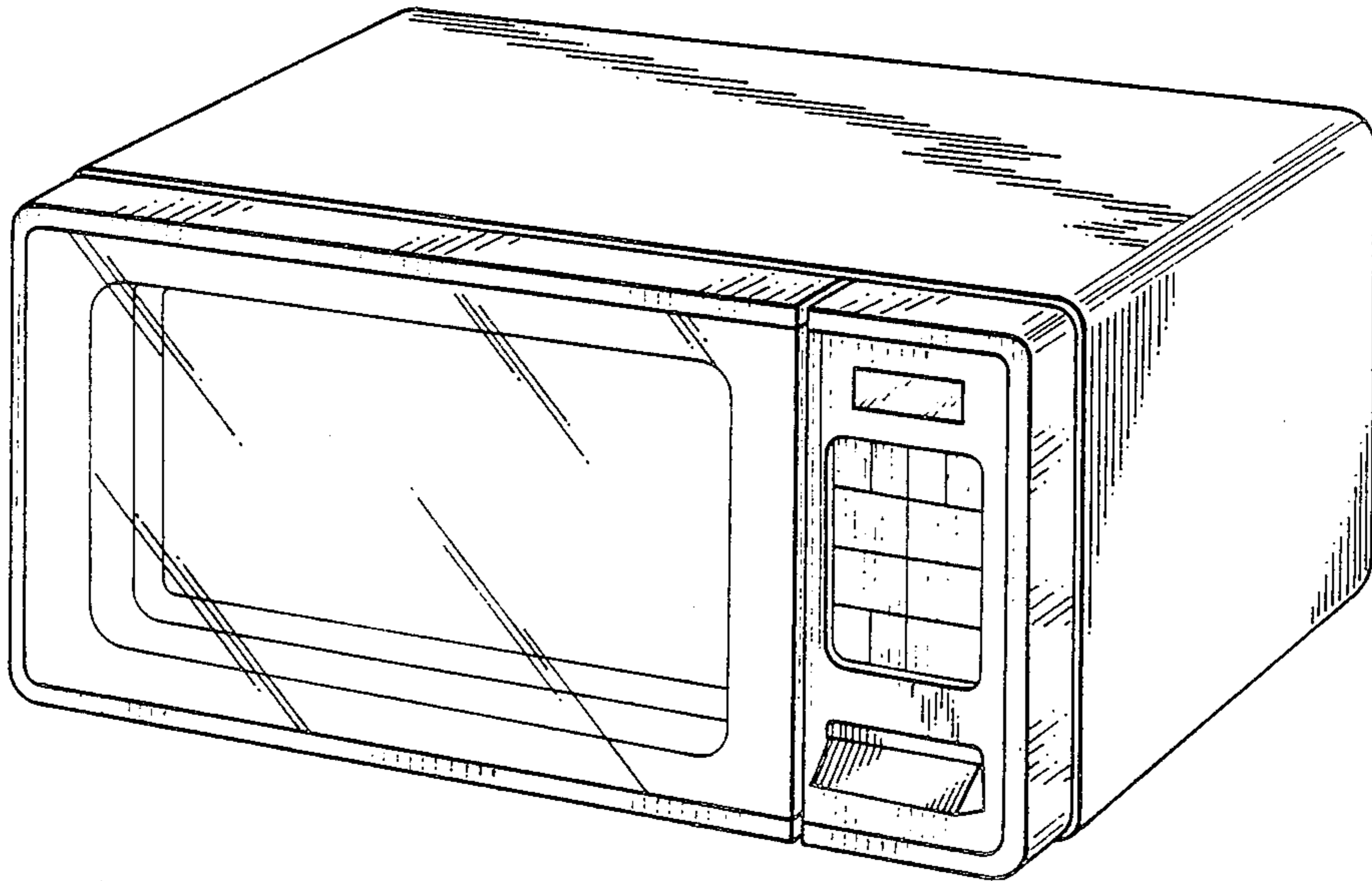


FIG. 2

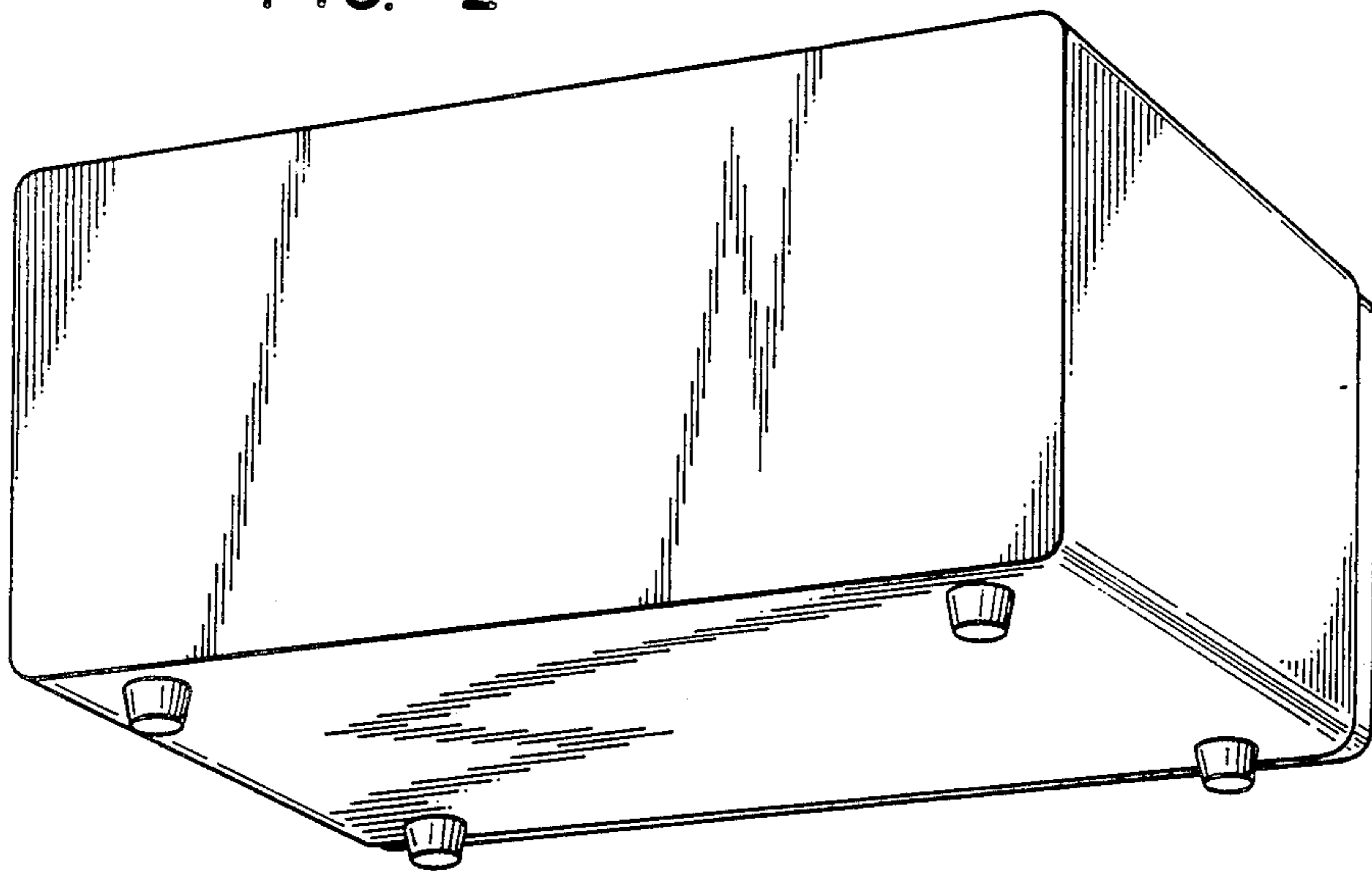


FIG. 3

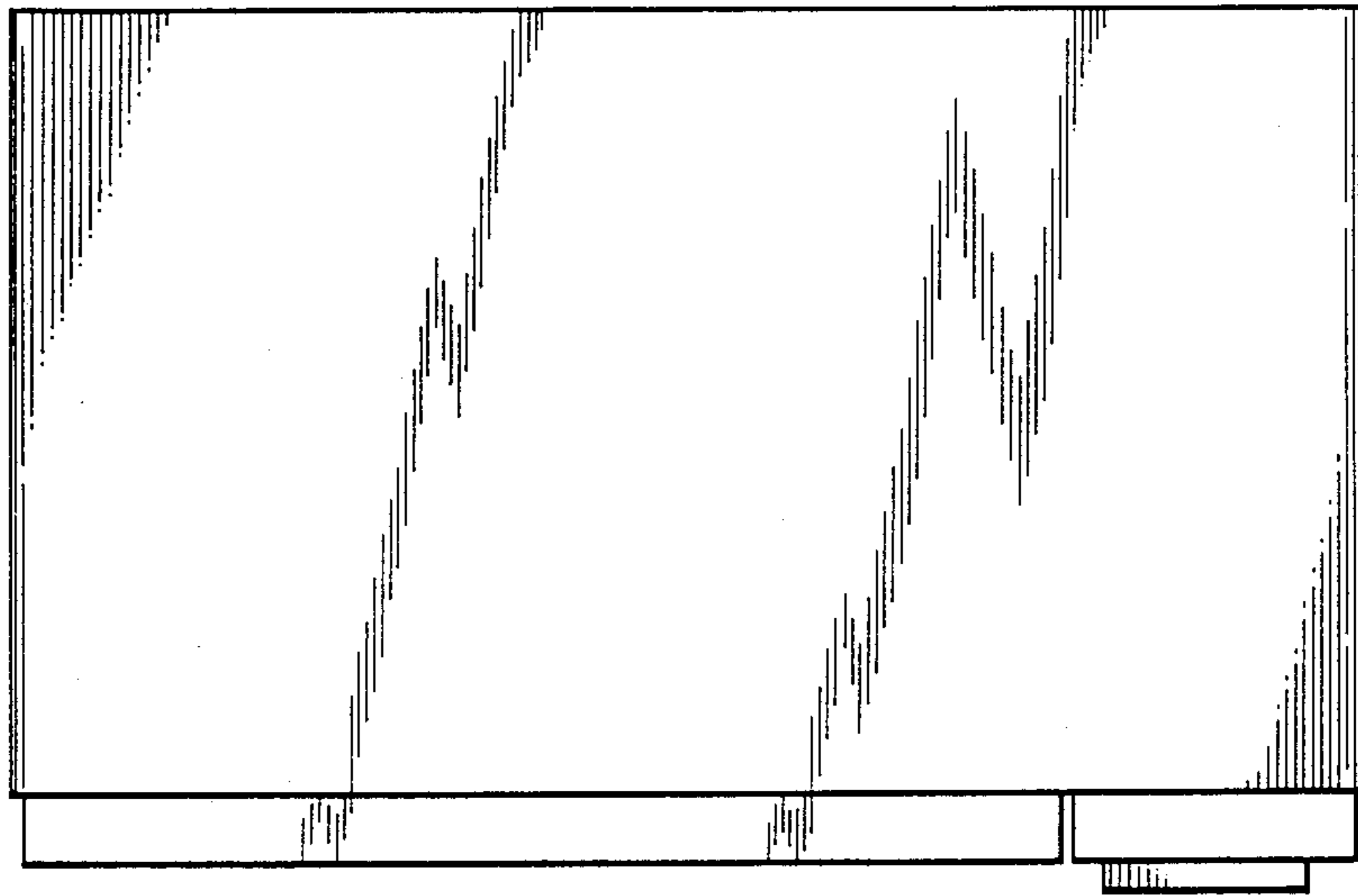


FIG. 4

