

[54] MICROWAVE OVEN

[75] Inventors: Taiji Nambu; Masaru Kobayashi; Yuko Ishimura; Akira Takebata, all of Nara, Japan

[73] Assignee: Matsushita Electric Industrial Co., Ltd., Osaka, Japan

[\*\*] Term: 14 Years

[21] Appl. No.: 744,876

[22] Filed: Jun. 17, 1985

[30] Foreign Application Priority Data

Dec. 27, 1984 [JP] Japan ..... 59-54019

[52] U.S. Cl. .... D7/351

[58] Field of Search ..... D7/350, 351; 219/10.55 R, 10.55 A, 10.55 B, 10.55 C, 10.55 D, 10.55 E, 10.55 M

[56] References Cited

U.S. PATENT DOCUMENTS

- D. 191,602 10/1961 Crease ..... D7/351
- D. 239,250 3/1976 Kawata et al. .... D7/351
- D. 240,349 6/1976 Waagen ..... D7/351

- D. 280,968 10/1985 Song ..... D7/351
- D. 290,082 6/1987 Song ..... D7/351

Primary Examiner—Susan J. Lucas  
Assistant Examiner—Ruth Takemoto  
Attorney, Agent, or Firm—Sughrue, Mion, Zinn, Macpeak, and Seas

[57] CLAIM

The ornamental design for a microwave oven, as shown and described.

DESCRIPTION

FIG. 1 is a front, top and right side perspective view of a microwave oven showing our new design; FIG. 2 is a rear, bottom and left side perspective view thereof; FIG. 3 is a top plan view thereof; FIG. 4 is a right side elevational view thereof; FIG. 5 is a front, top and right side perspective view of a second embodiment thereof; FIG. 6 is a front, top and right side perspective view of a third embodiment thereof; and, FIG. 7 is a front, top and right side perspective view of a fourth embodiment thereof. The differences in the second, third and fourth embodiments reside in the features on the front.

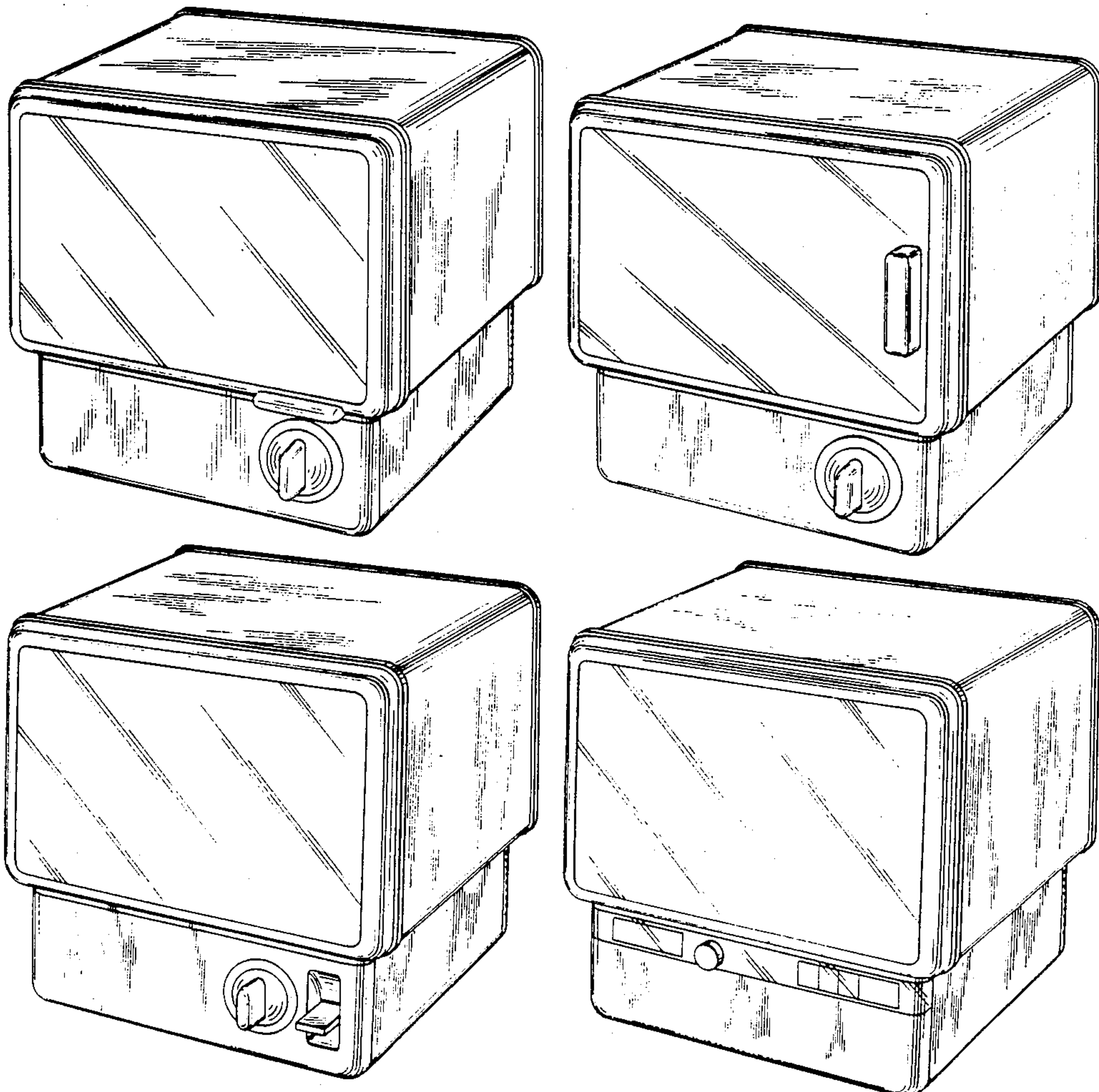


FIG. 1

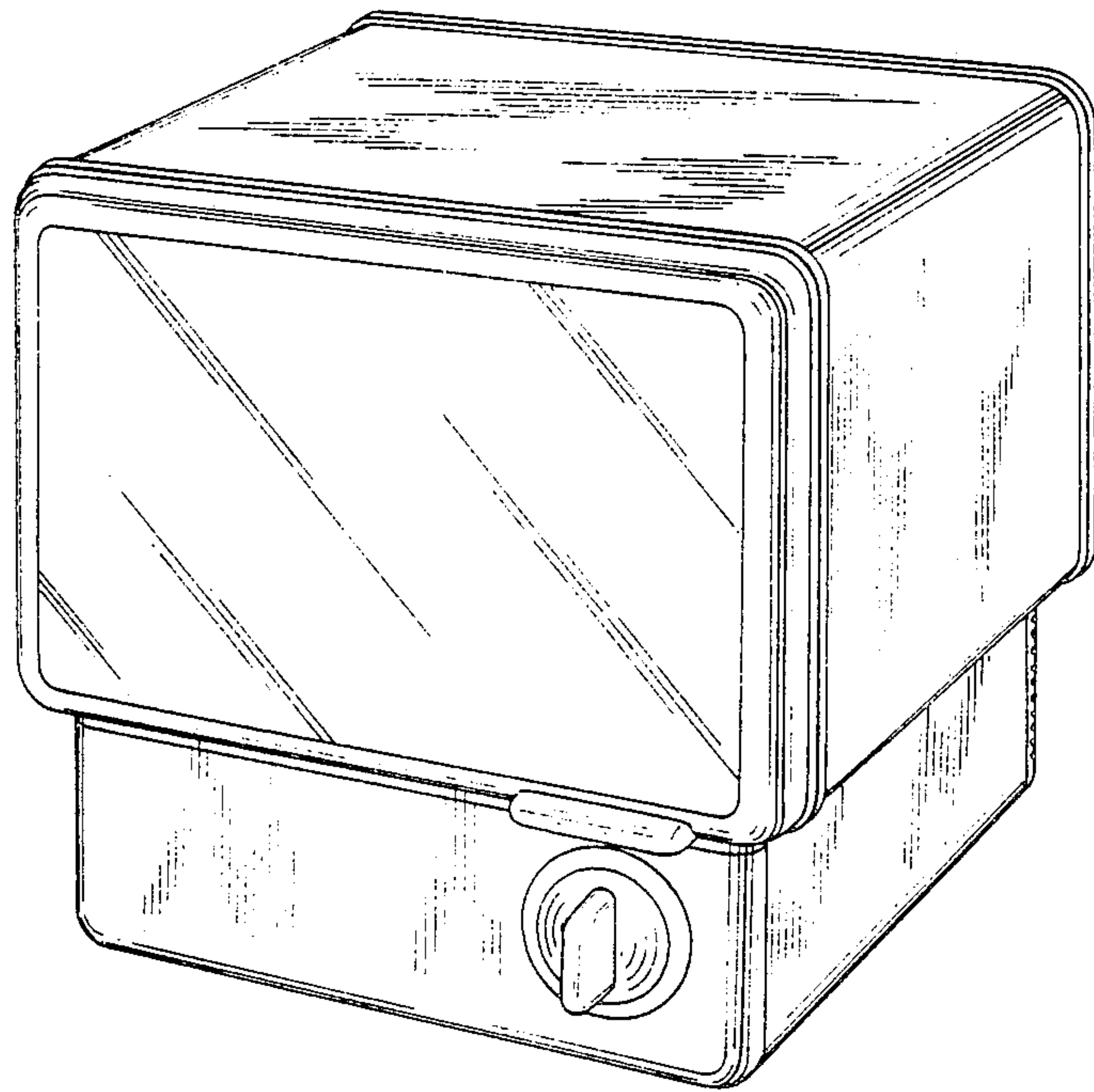


FIG. 2

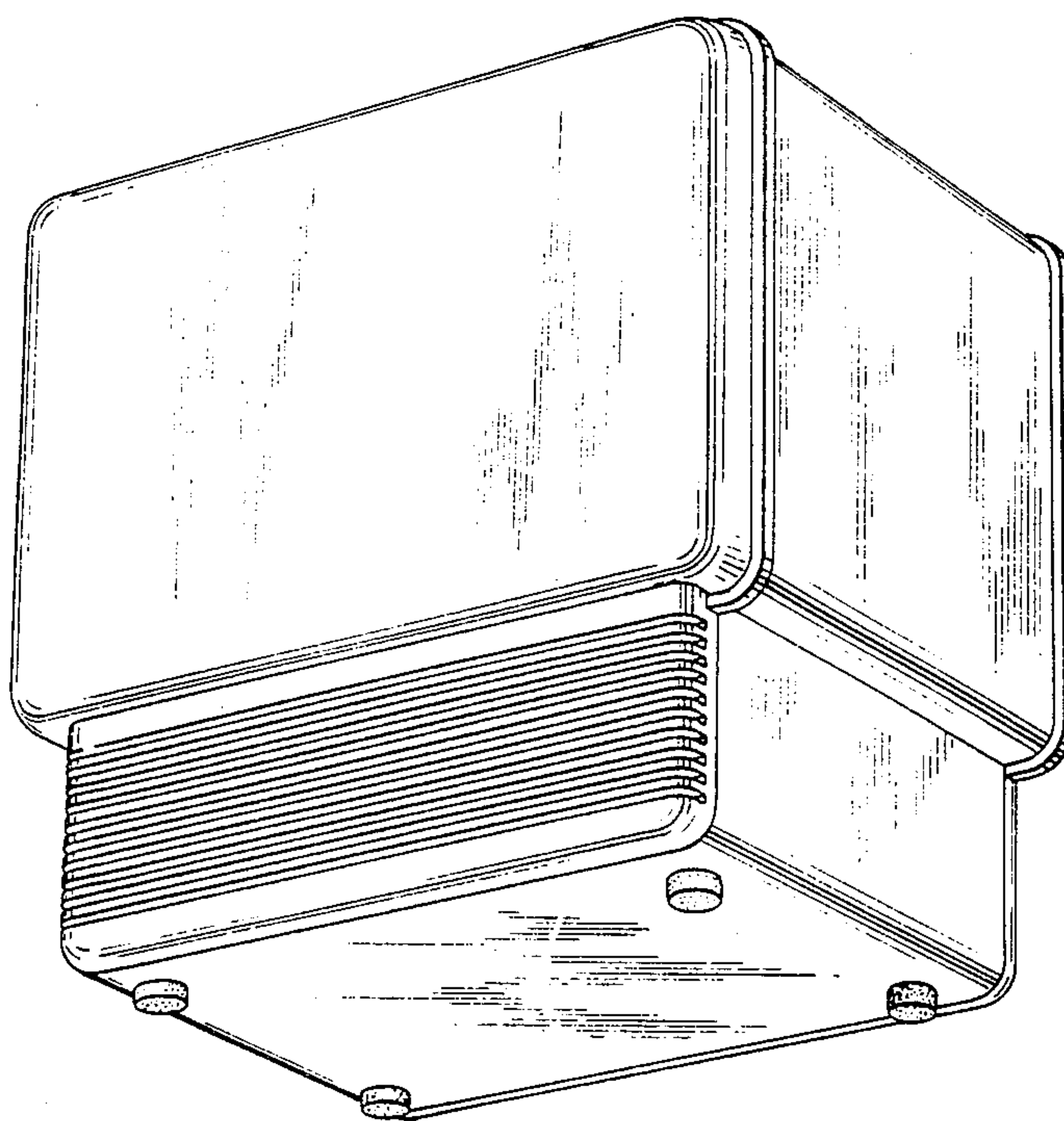


FIG. 3

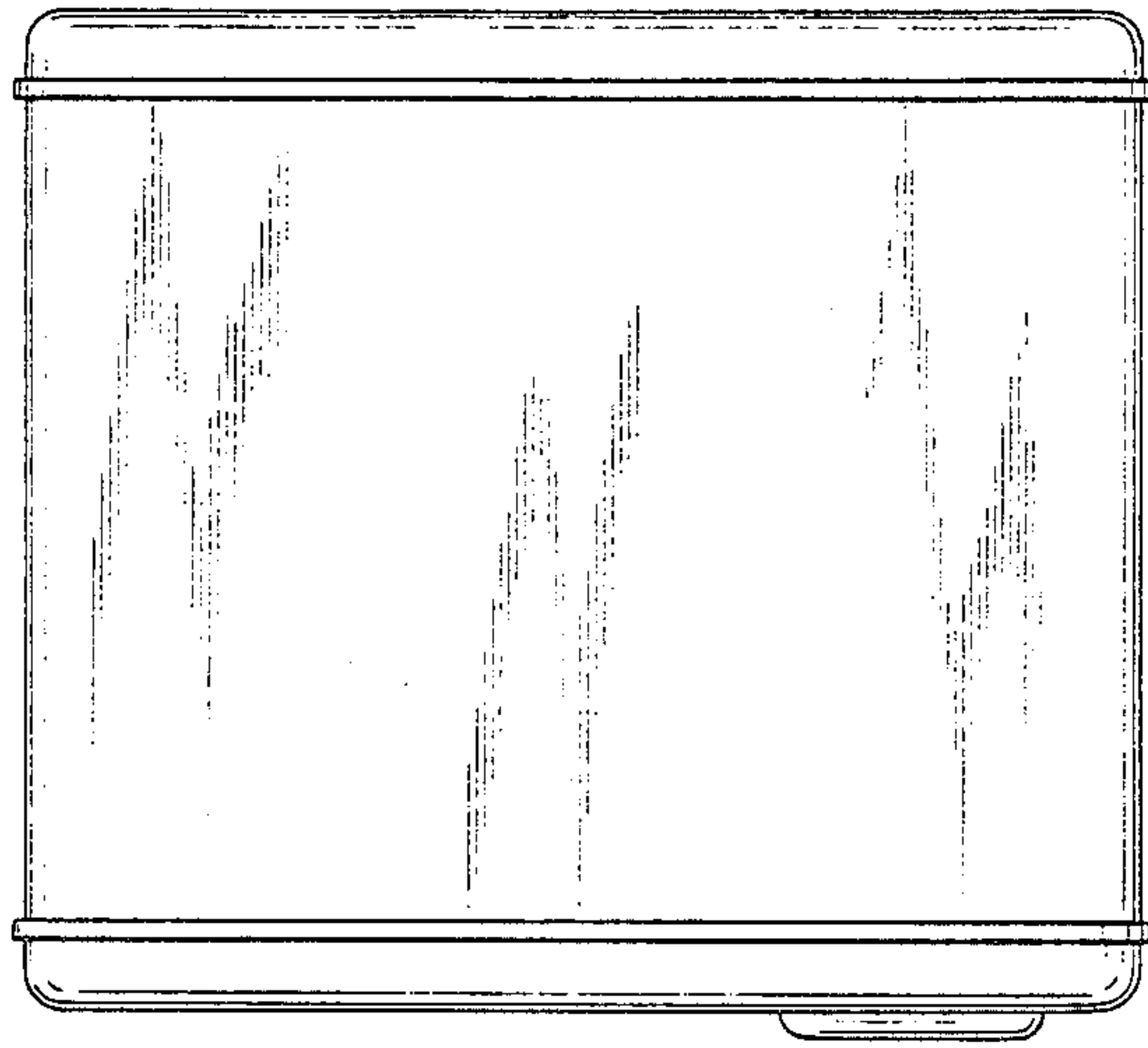


FIG. 4

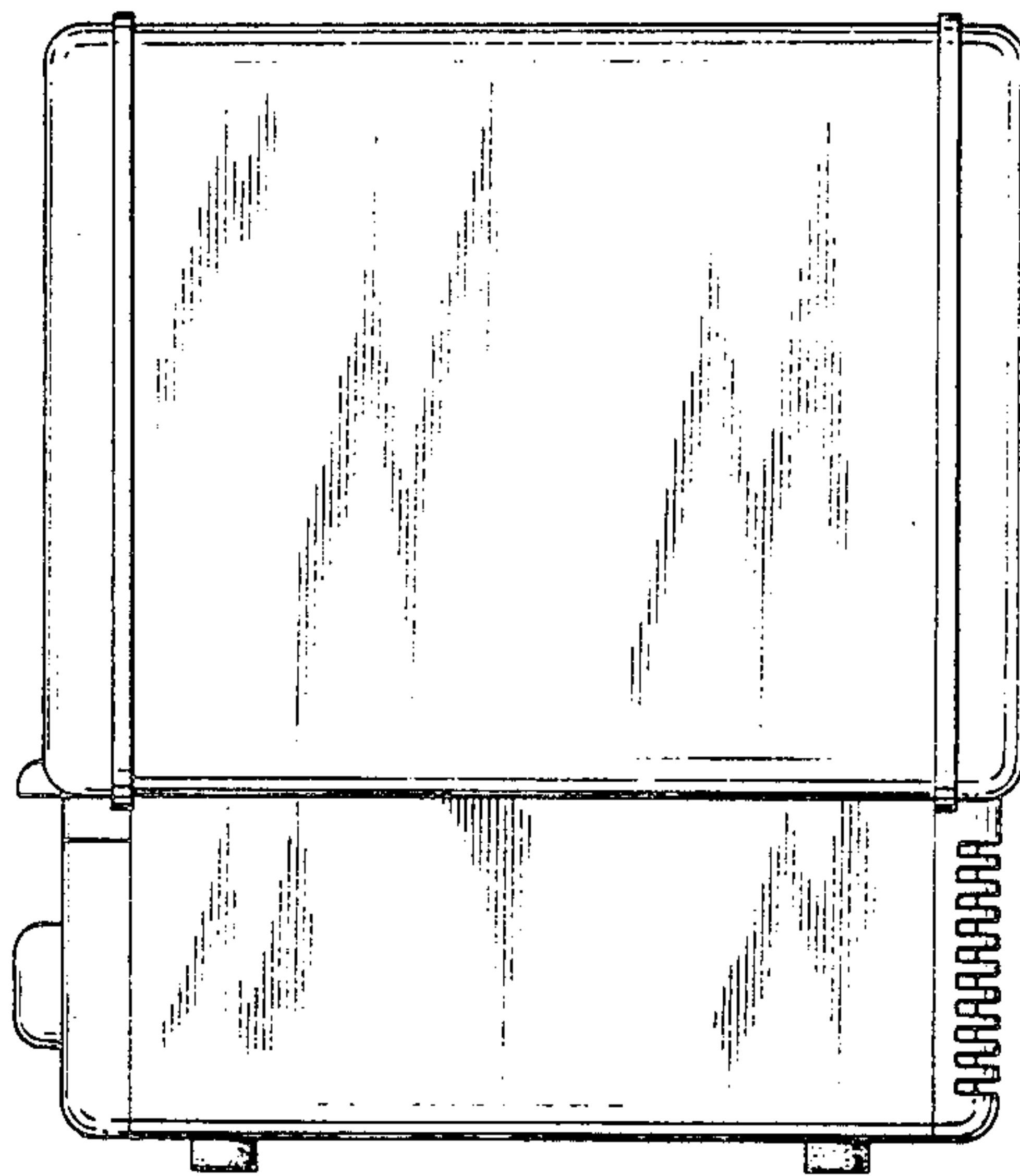




FIG. 5

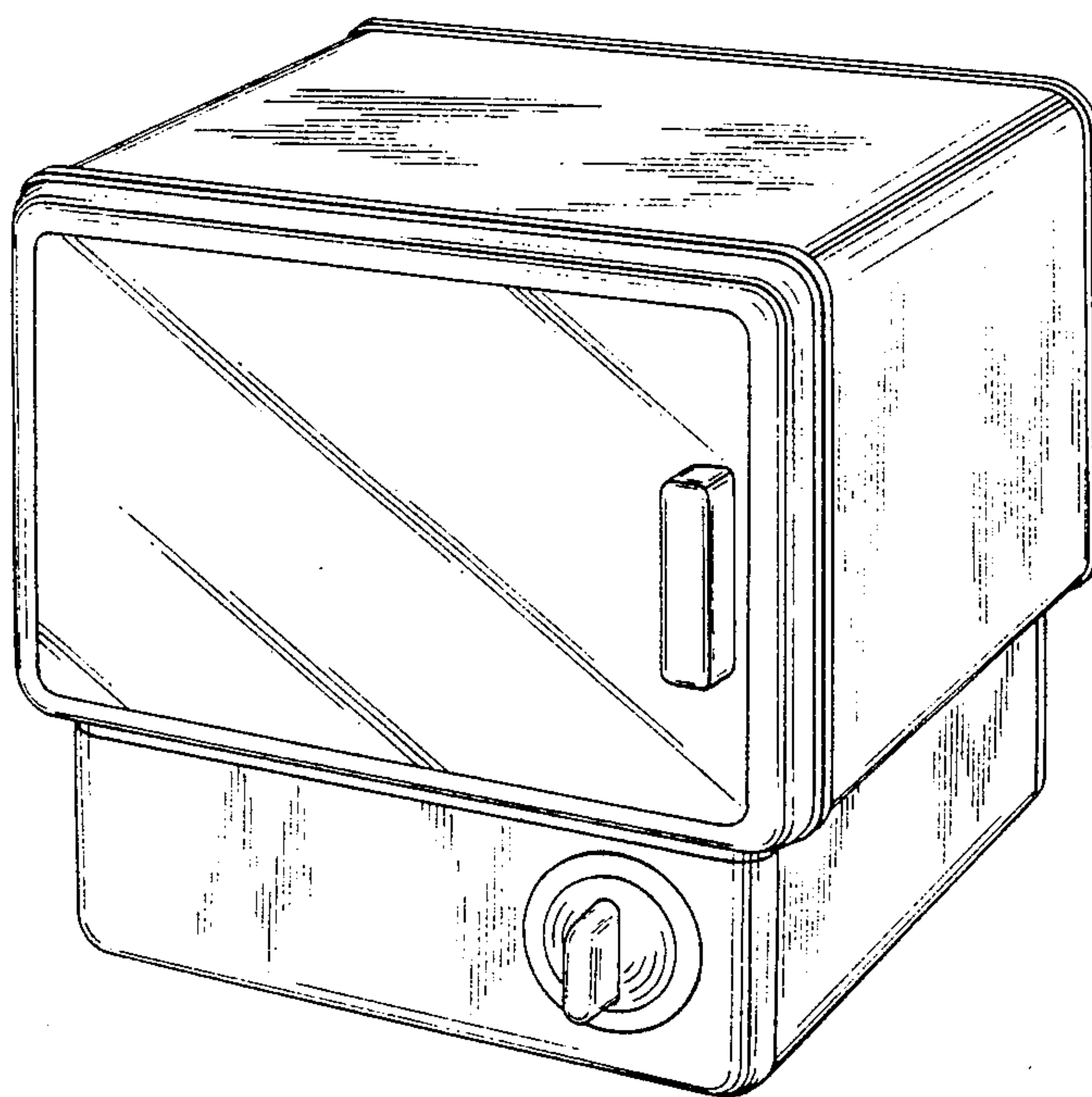


FIG. 6

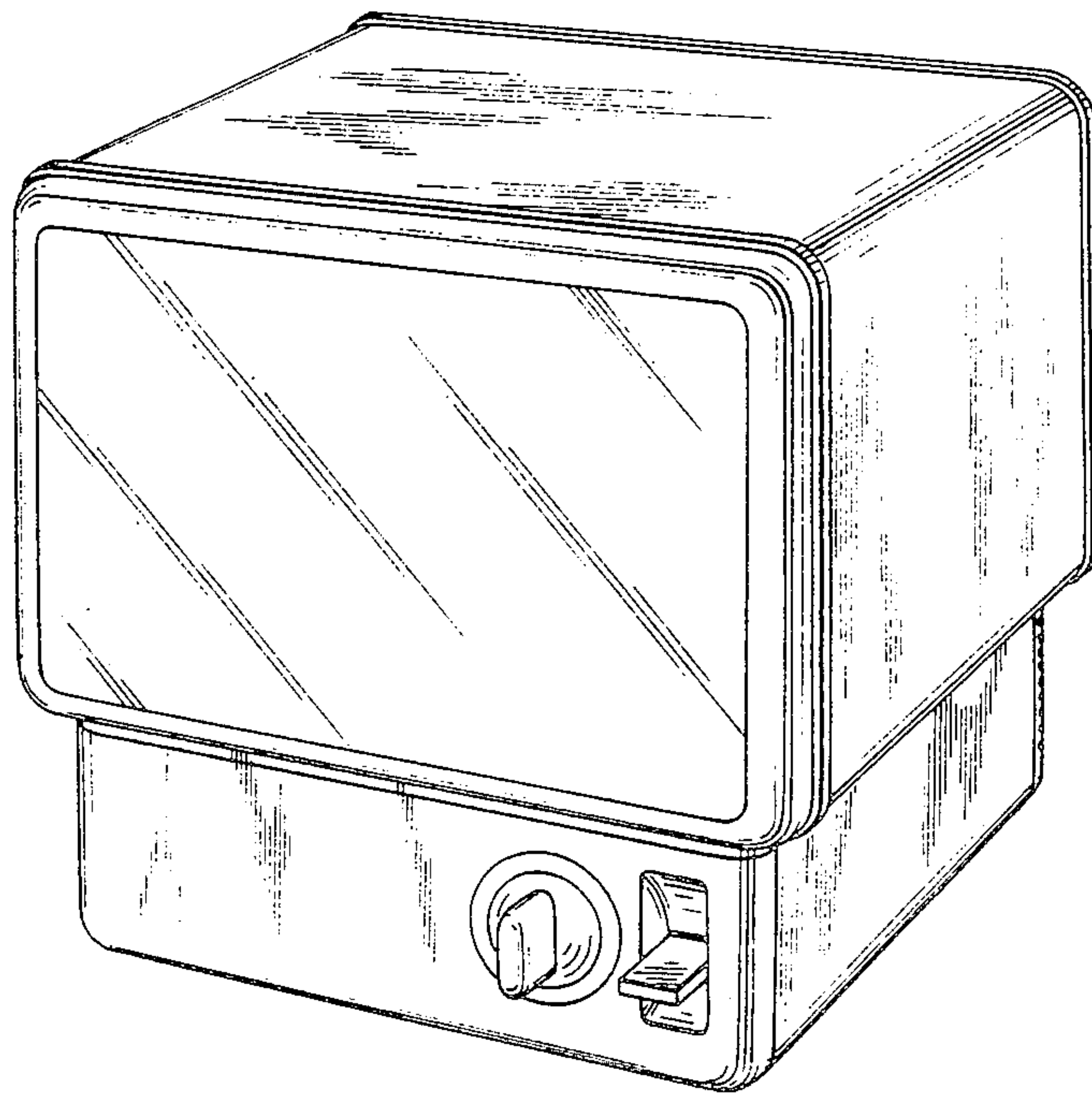


FIG. 7

