

[54] WINDOW SHADE

[75] Inventors: David A. De Block; Kert E. Artwick, both of Holland, Mich.

[73] Assignee: ODL, Incorporated, Zeeland, Mich.

[\*\*] Term: 14 Years

[21] Appl. No.: 803,878

[22] Filed: Nov. 4, 1985

[52] U.S. Cl. .... D6/577; D6/575; 160/84.1

[58] Field of Search ..... D6/575, 577, 576, 579, D6/580, 581; 160/84 R, 279, 329

[56] References Cited

U.S. PATENT DOCUMENTS

289,573	12/1883	Scott	160/84 R
1,289,281	12/1918	Shaft	160/84 R
1,789,724	1/1931	Carver	D6/577 X
4,473,101	9/1984	Langeier	160/84 R
4,531,562	7/1985	Swanson	160/26

FOREIGN PATENT DOCUMENTS

107100	4/1939	Australia	160/329 X
332076	8/1904	France	160/84 R

OTHER PUBLICATIONS

Brochure published by APC Corporation entitled "Sky-blind Installation Instructions" (undated).

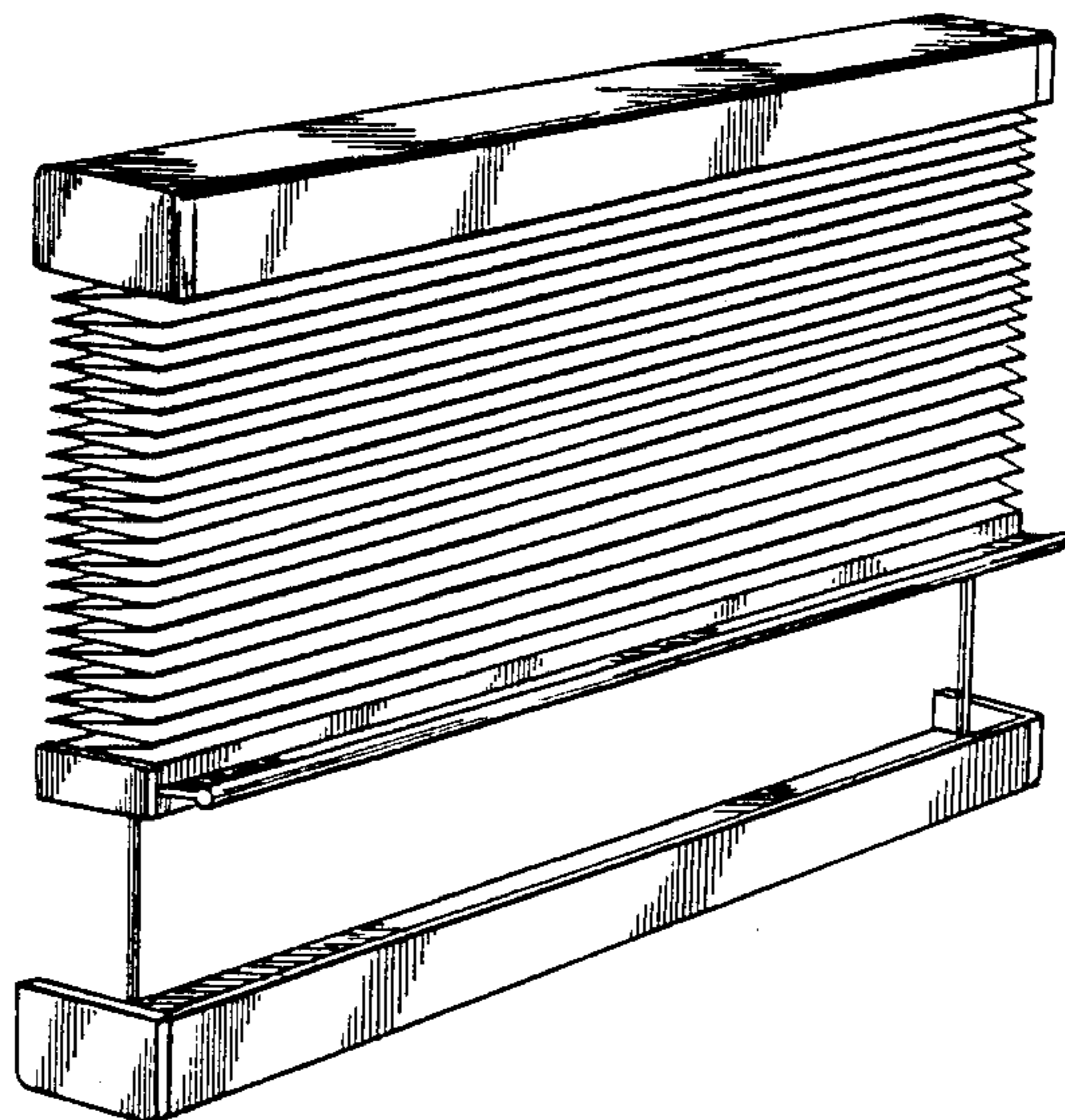
Primary Examiner—Winifred E. Herrmann  
Attorney, Agent, or Firm—Price, Heneveld, Cooper, DeWitt & Litton

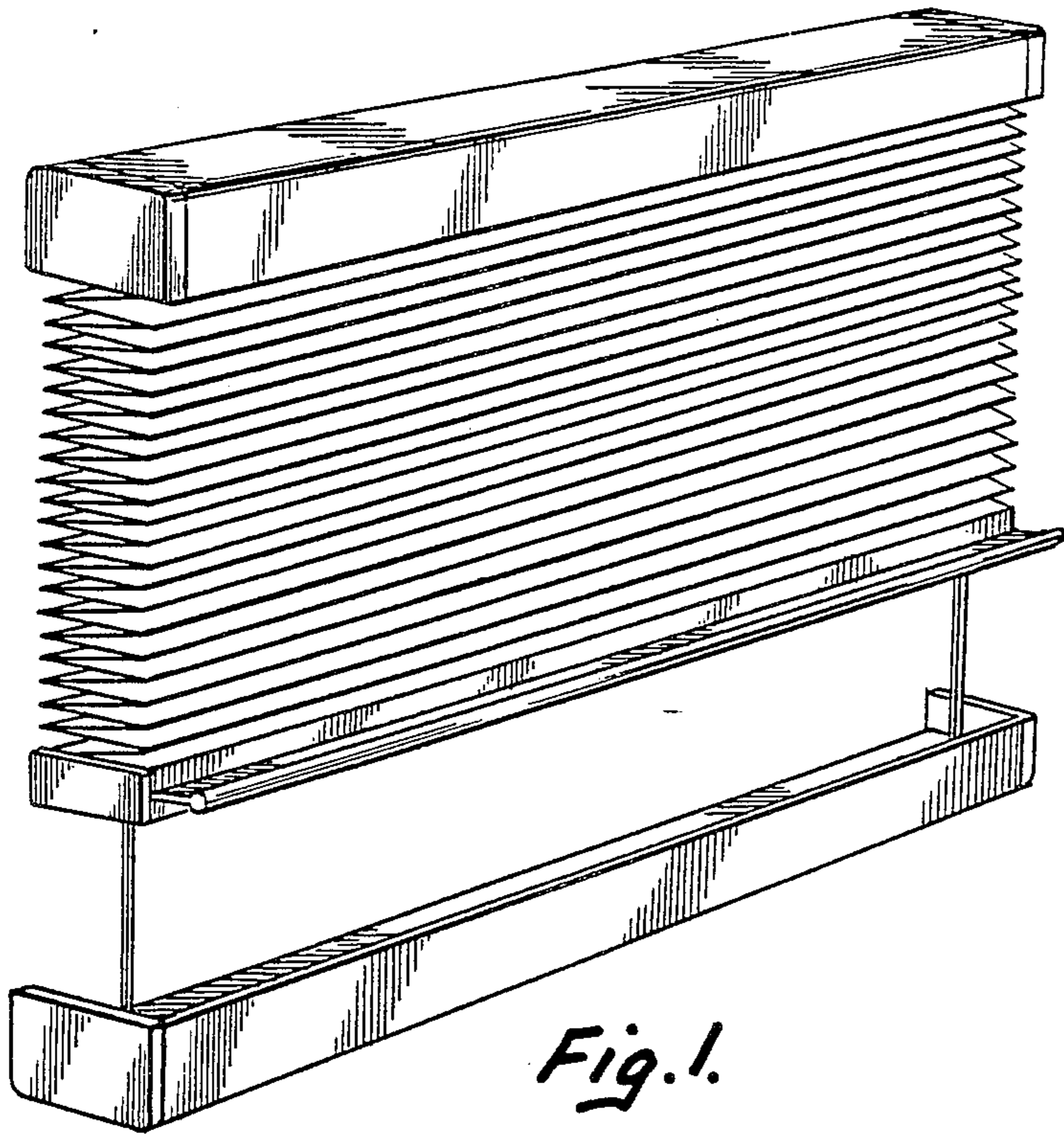
[57] CLAIM

The ornamental design for a window shade, substantially as shown and described.

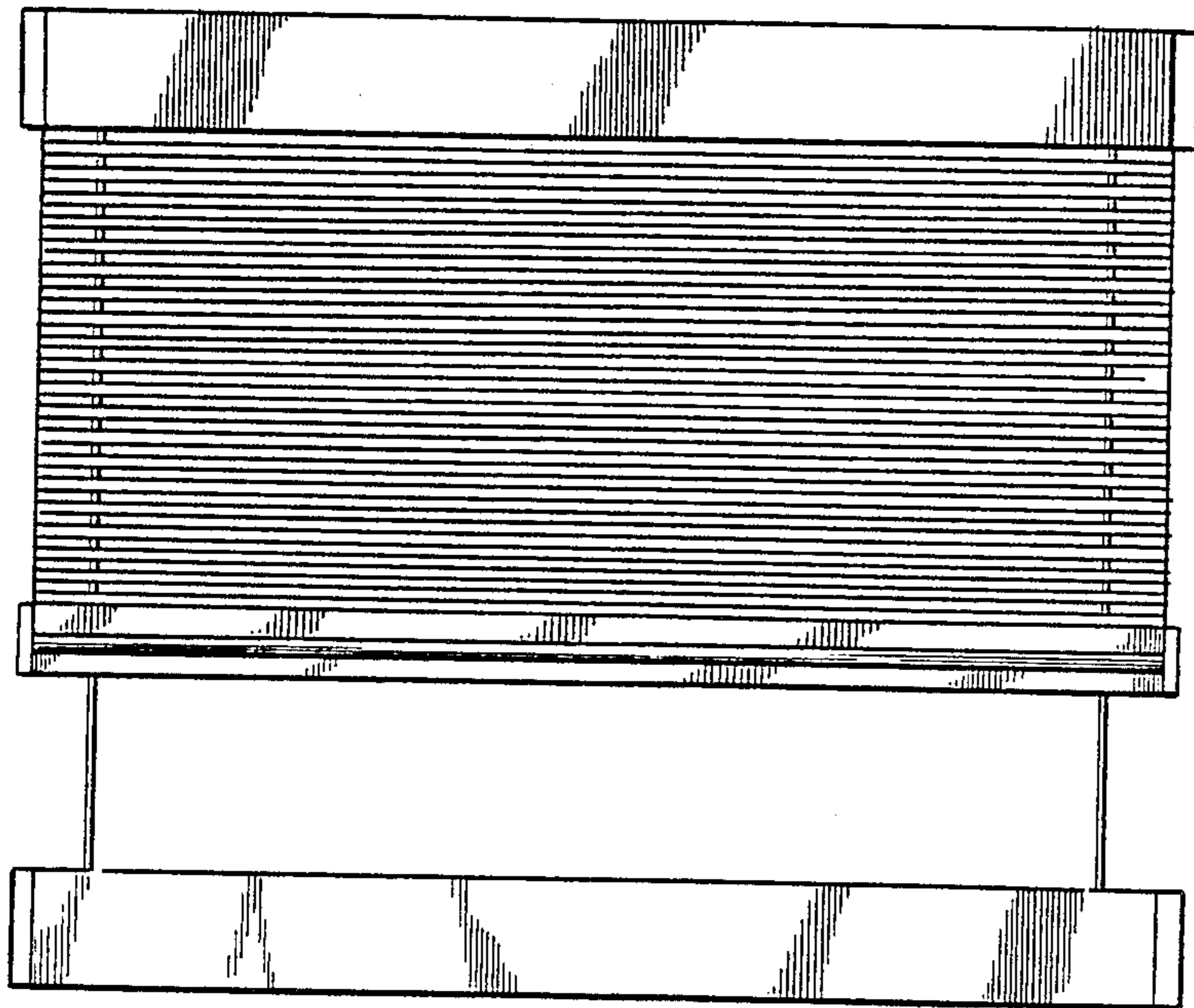
DESCRIPTION

FIG. 1 is a perspective view of a window shade showing our new design;  
FIG. 2 is a front elevational view thereof;  
FIG. 3 is a rear elevational view thereof;  
FIG. 4 is a side elevational view thereof;  
FIG. 5 is a top or bottom plan view thereof;  
FIG. 6 is a perspective view thereof showing the shade material fully drawn; and  
FIG. 7 is a perspective view thereof showing the shade material fully retracted.

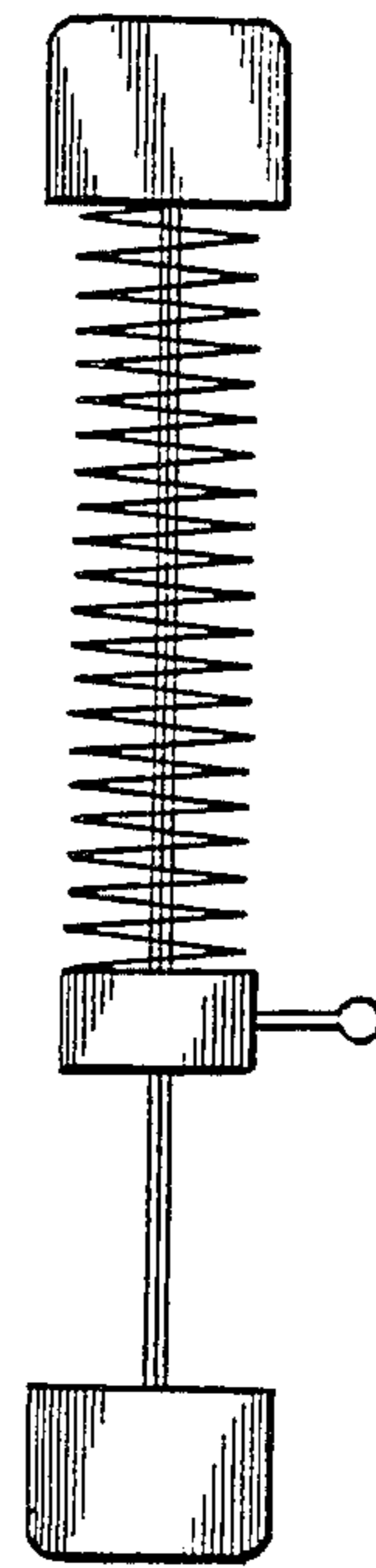




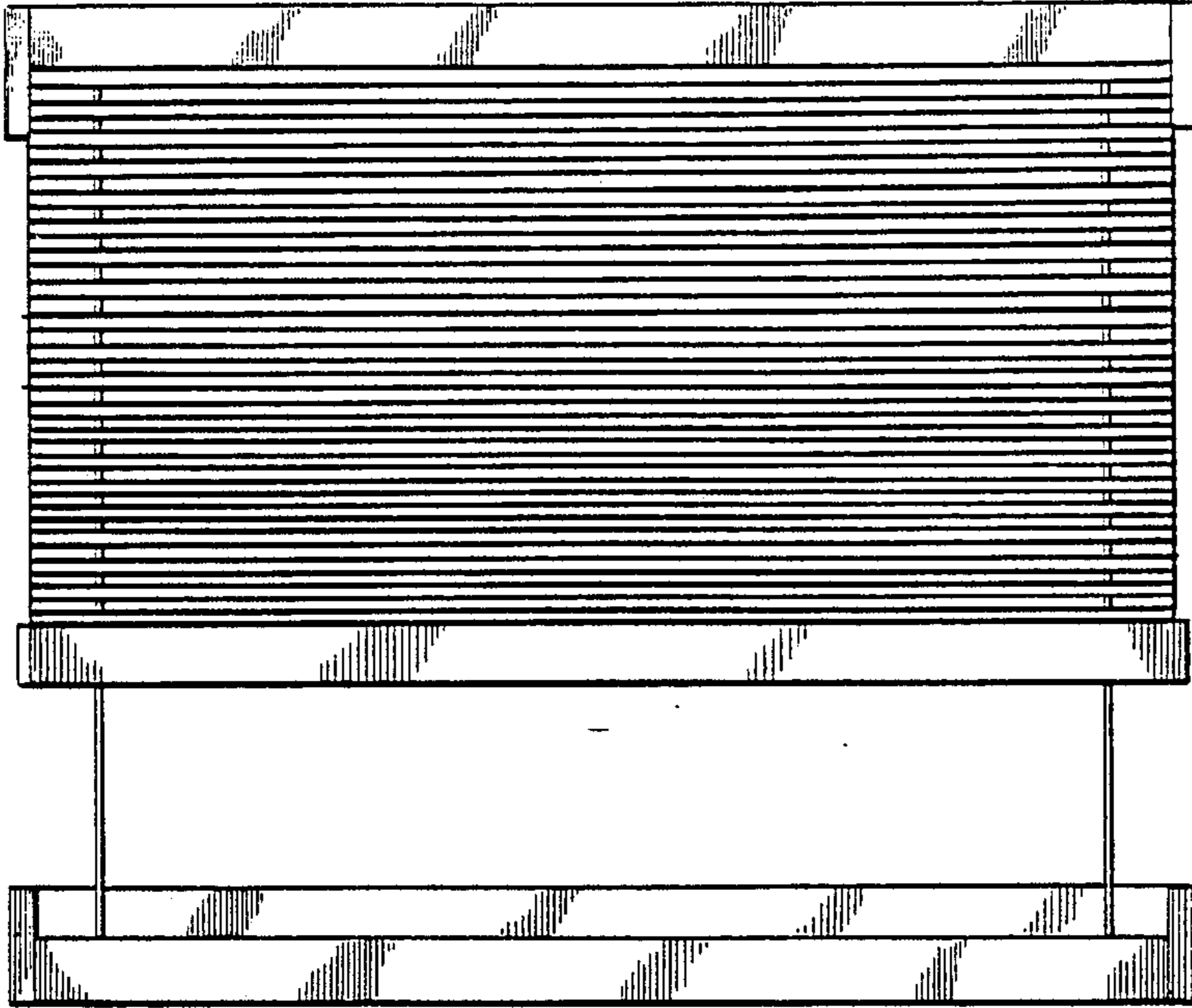
*Fig. 1.*



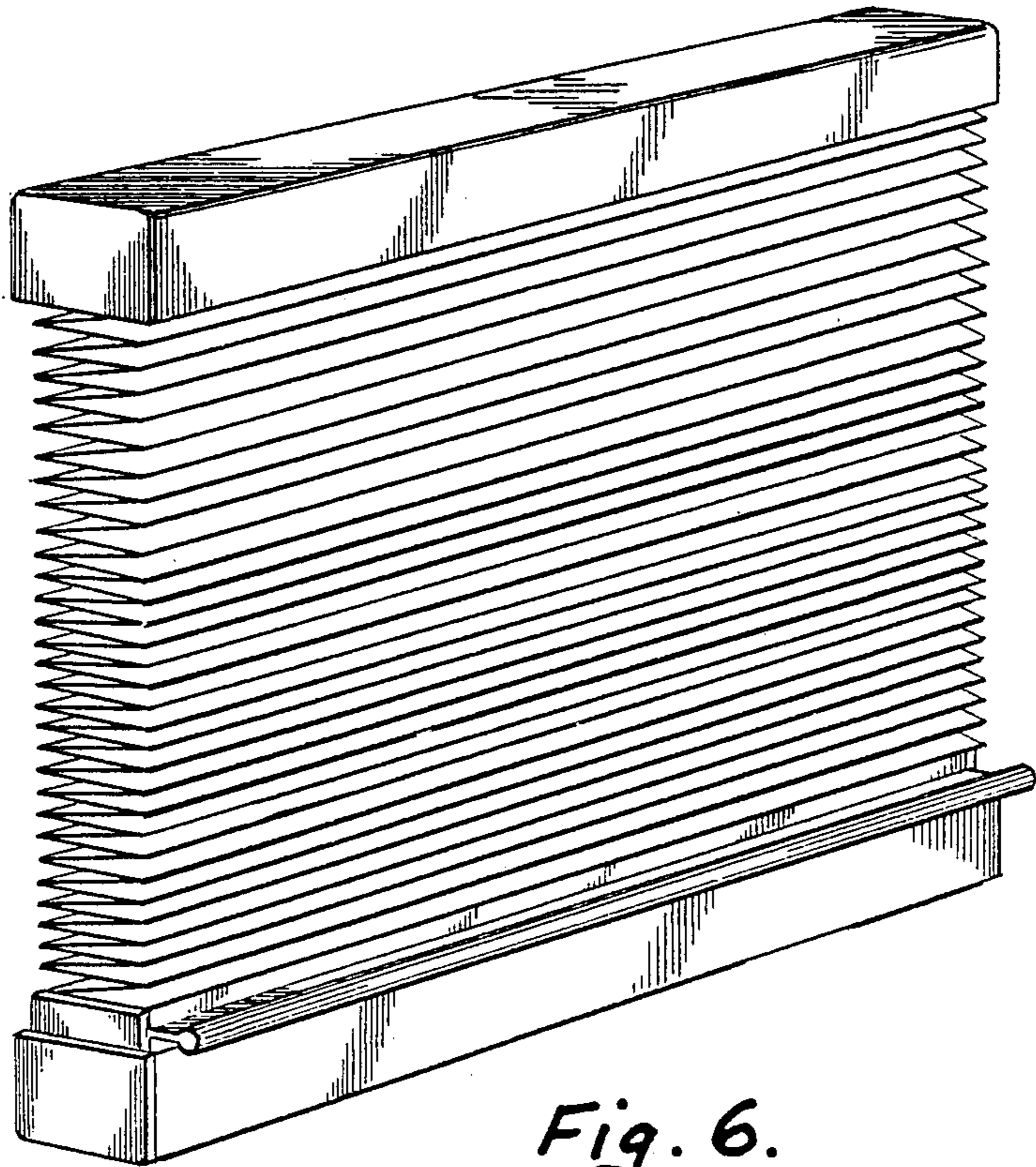
*Fig. 2.*



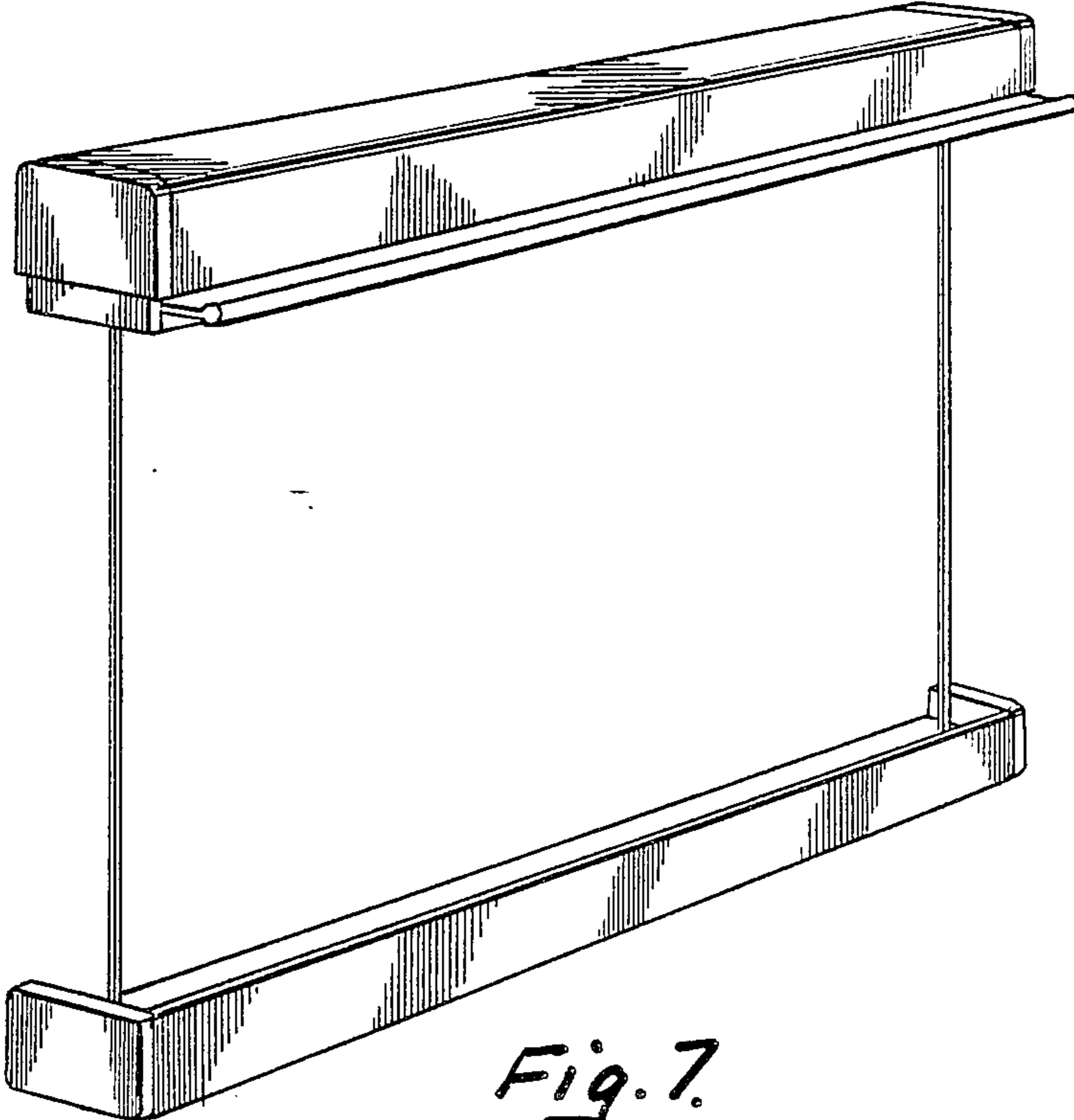
*Fig. 4.*



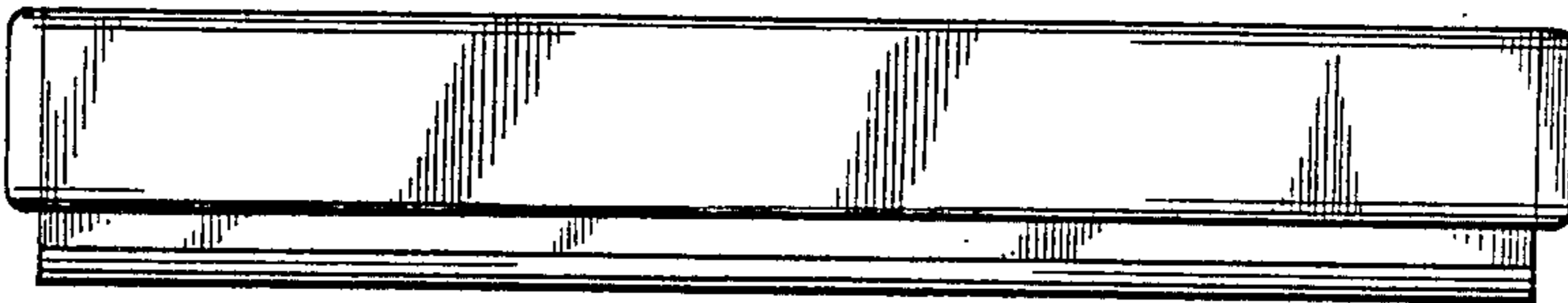
*Fig. 3.*



*Fig. 6.*



*Fig. 7.*



*Fig. 5.*