

[54] HEADBOARD FOR A BED

[76] Inventor: Elaine S. Cohen, 801 W. McGee St., Greensboro, N.C. 27401

[**] Term: 14 Years

[21] Appl. No.: 749,656

[22] Filed: Jun. 28, 1985

[52] U.S. Cl. D6/505

[58] Field of Search D6/382, 383, 384, 393, D6/505; 5/53 R, 432, 433, 436, 437

[56] References Cited

U.S. PATENT DOCUMENTS

D. 194,674	2/1963	Radinsky	D6/384 X
262,121	8/1882	Richter	5/437 X
2,691,175	10/1954	Brahm et al.	5/53 R
2,844,829	7/1958	Levy	5/432
3,217,341	11/1965	Levy	5/433
3,380,777	4/1968	Bennett	5/280 X

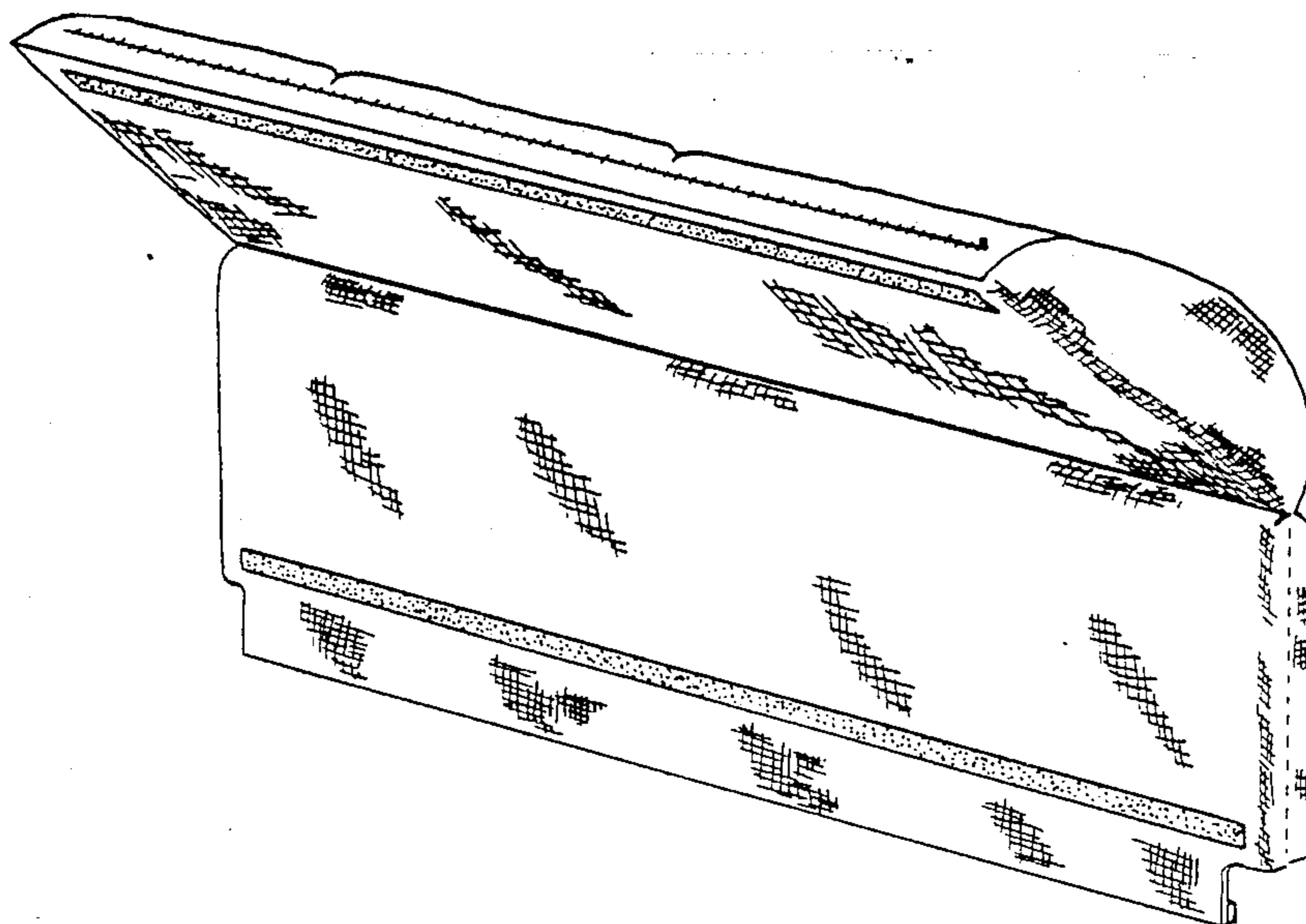
Primary Examiner—Bruce W. Dunkins
Attorney, Agent, or Firm—Charles R. Rhodes; Judith E. Garmon

[57] CLAIM

The ornamental design for a headboard for a bed, as shown and described.

DESCRIPTION

FIG. 1 is a front perspective view of a headboard for a bed, showing my design in a closed position; FIG. 2 is a sectional view through the headboard in open position; and, FIG. 3 is a front perspective view of the headboard in open position. The end of the headboard not shown is a mirror image of the end shown while the undisclosed rear surface is flat and unadorned. The broken-lines depicting a portion of a bed frame in FIG. 1 have been shown for illustrative purposes only.



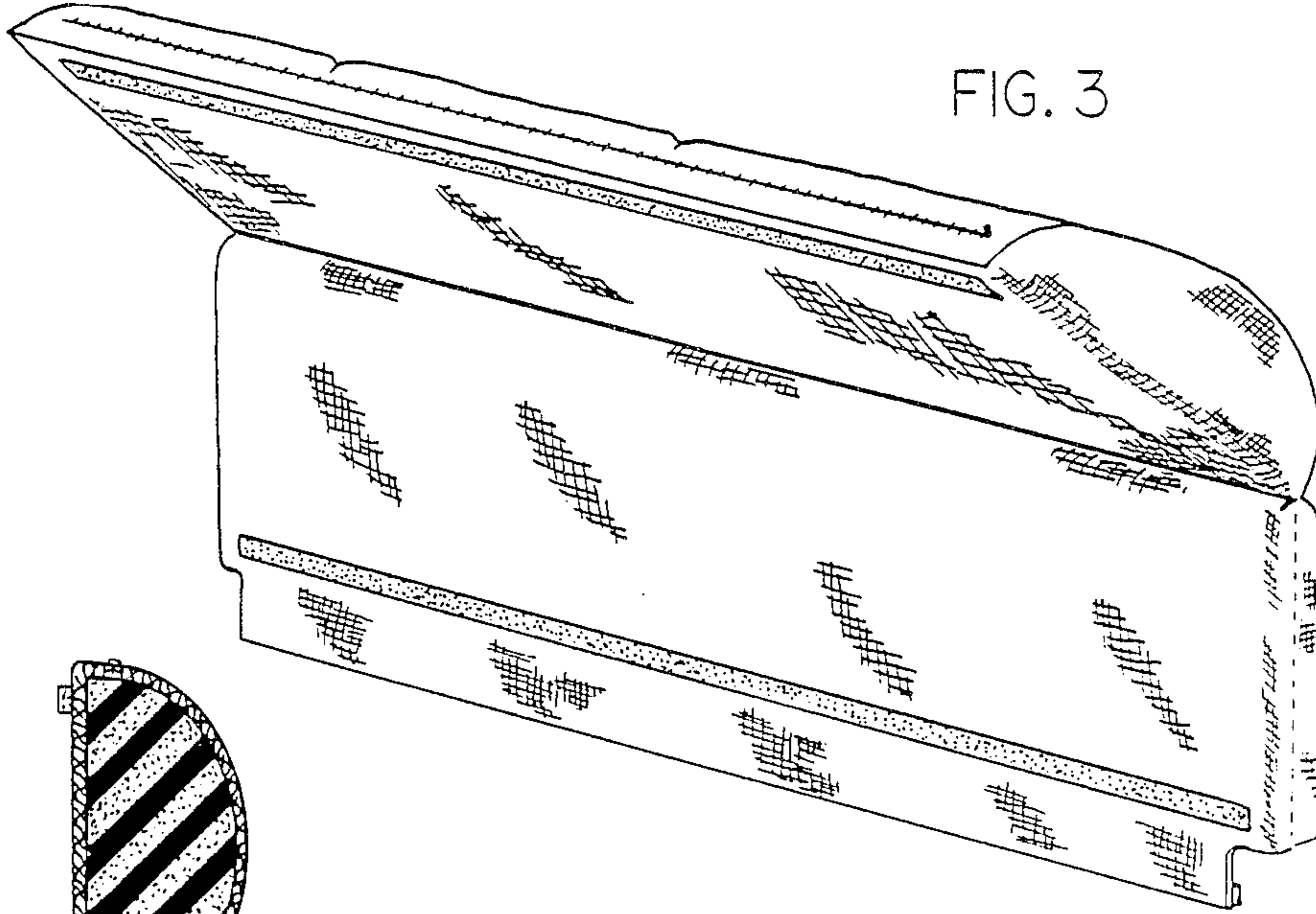


FIG. 3

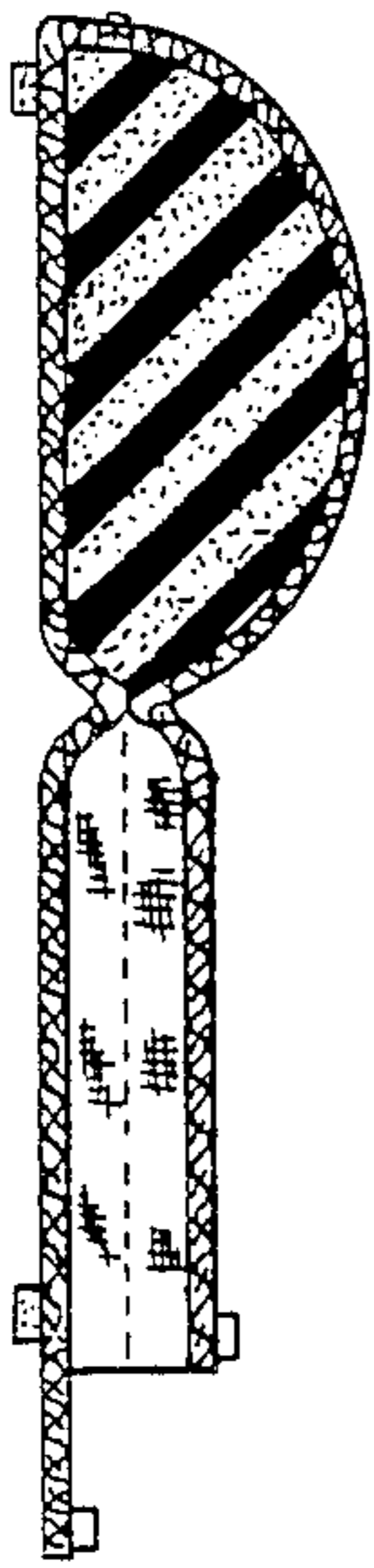


FIG. 2

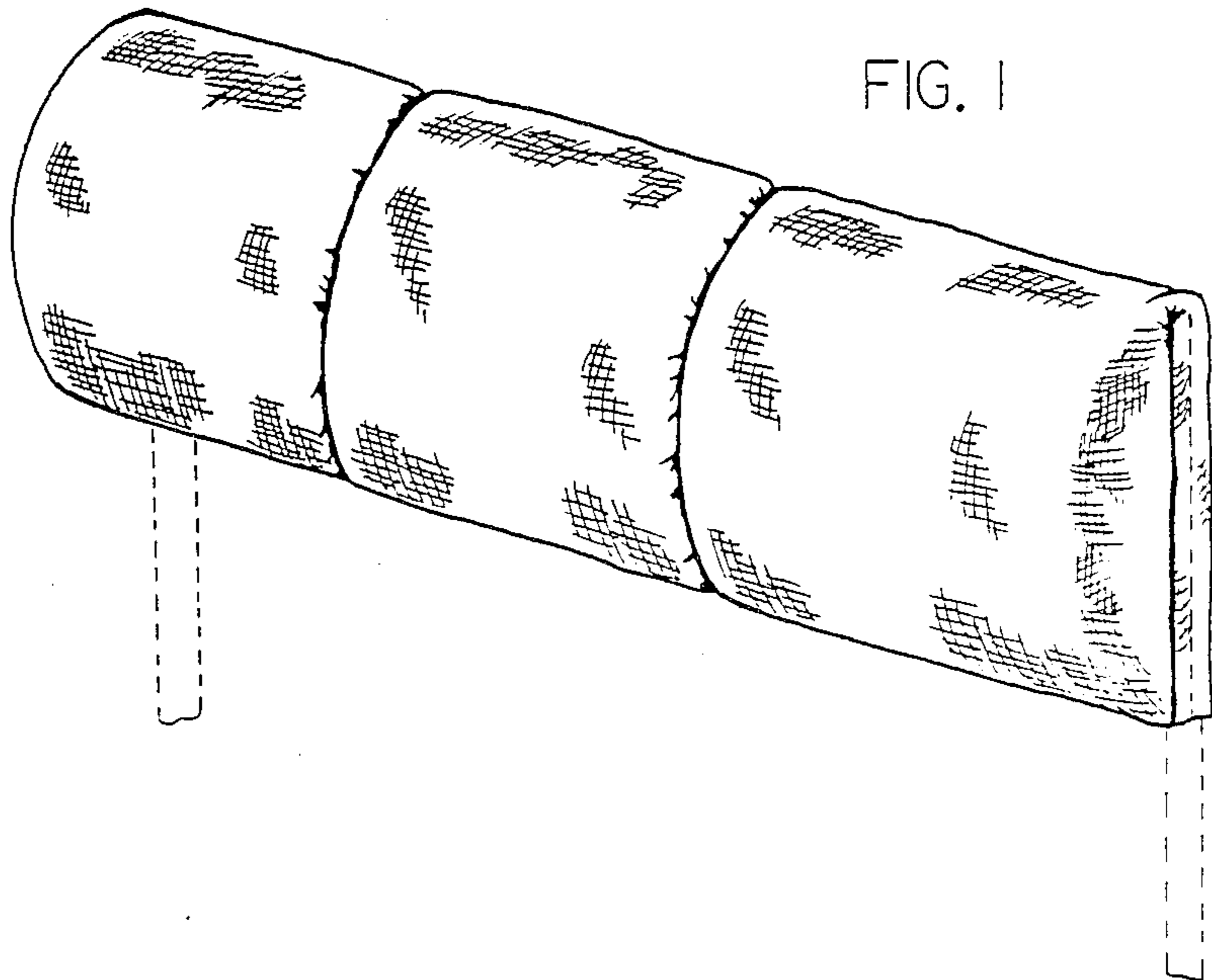


FIG. 1