

[54] CUP AND SAUCER STAND

[75] Inventors: Robson Splane, Granada Hills; Hilda S. Pollitz, Culver City, both of Calif.

[73] Assignee: Teleflora, Inc., Los Angeles, Calif.

[\*\*] Term: 14 Years

[21] Appl. No.: 813,860

[22] Filed: Dec. 19, 1985

[52] U.S. Cl. .... D6/467; D6/469; D7/70

[58] Field of Search ..... D6/467, 469, 449; D7/70, 71, 45; 211/41, 71; 229/1.5 H, 1.5 R; 248/346.1

[56] References Cited

U.S. PATENT DOCUMENTS

D. 165,675 1/1952 Westernacher ..... D6/467

Primary Examiner—Bernard Ansher

Assistant Examiner—Terry Pfeffer

Attorney, Agent, or Firm—Pretty, Schroeder, Brueggemann & Clark

[57] CLAIM

The ornamental design for cup and saucer stand, as shown.

DESCRIPTION

FIG. 1 is a front right perspective view of a cup and saucer stand showing our new design;

FIG. 2 is a top plan view thereof;

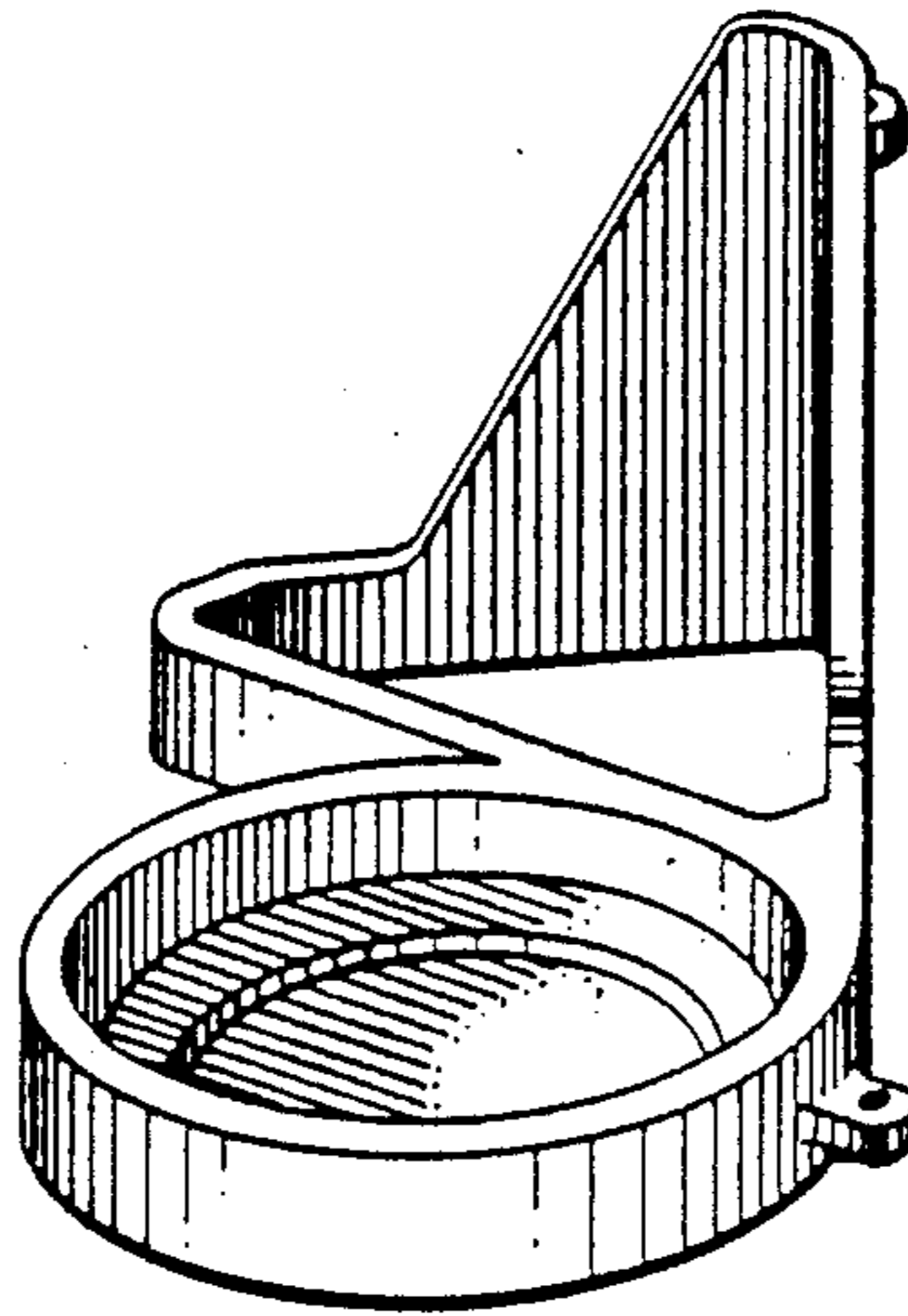
FIG. 3 is a left side elevational view thereof;

FIG. 4 is a front elevational view thereof;

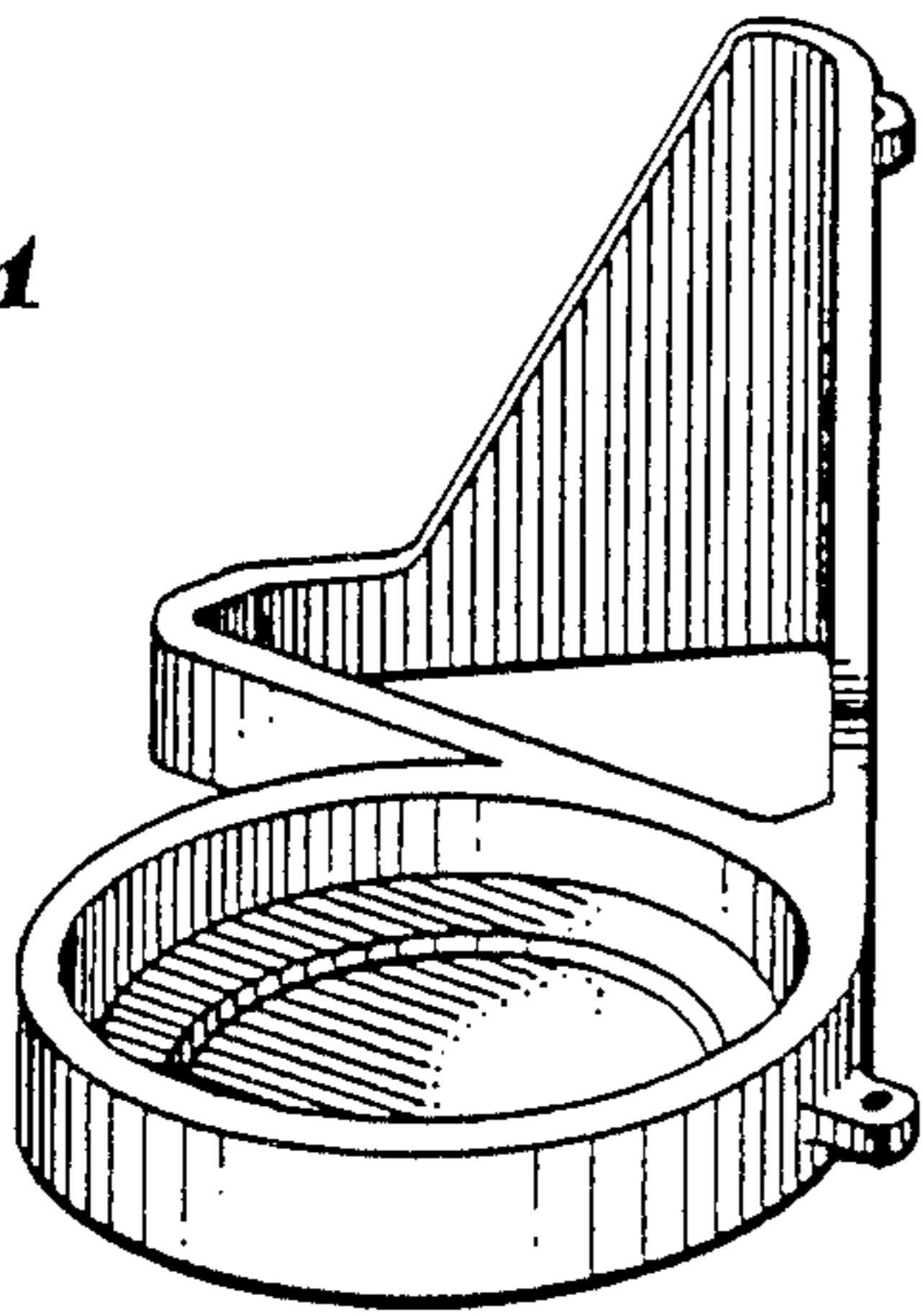
FIG. 5 is a bottom plan view thereof;

FIG. 6 is a right side elevational view thereof; and

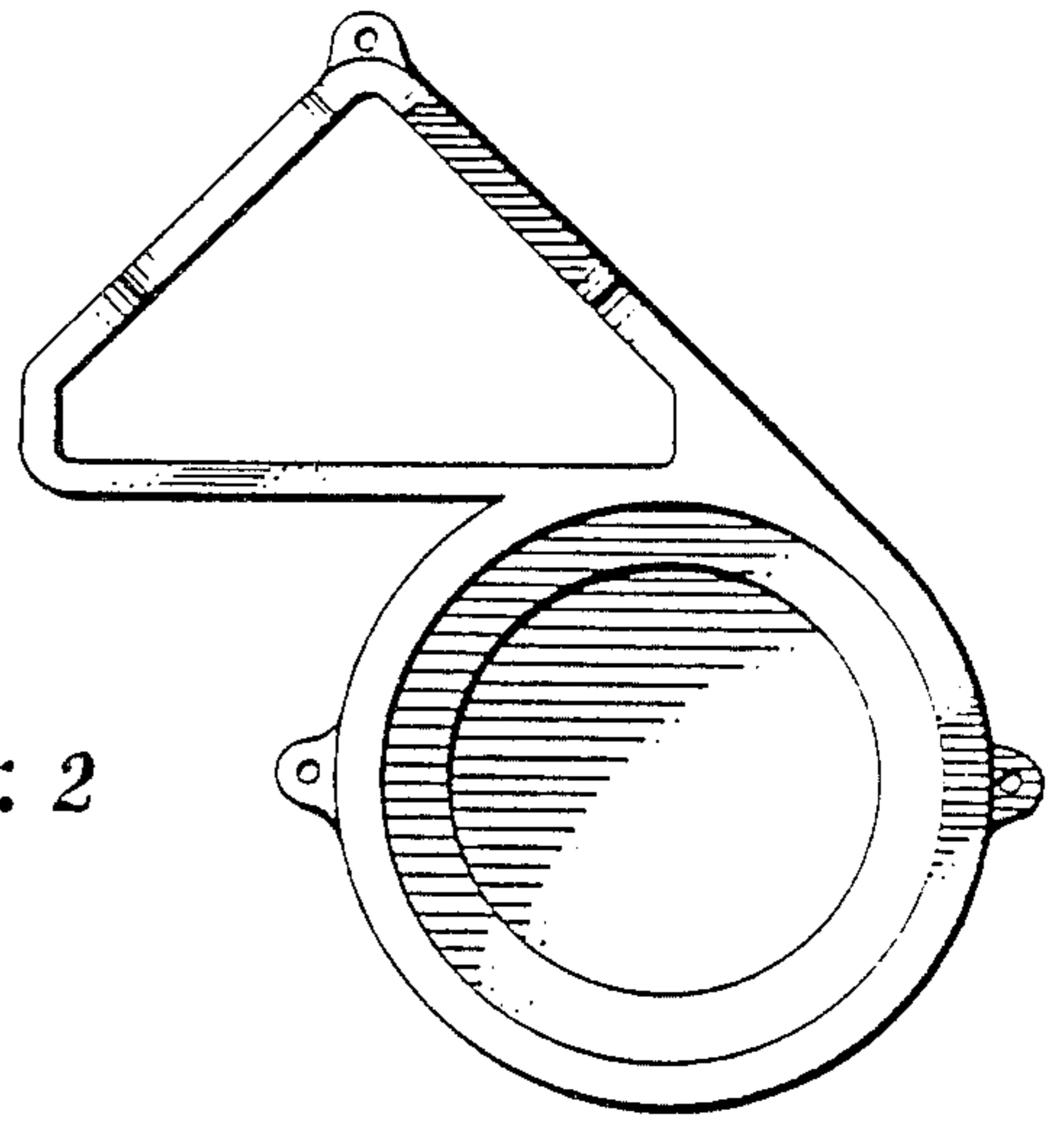
FIG. 7 is a rear elevational view thereof.



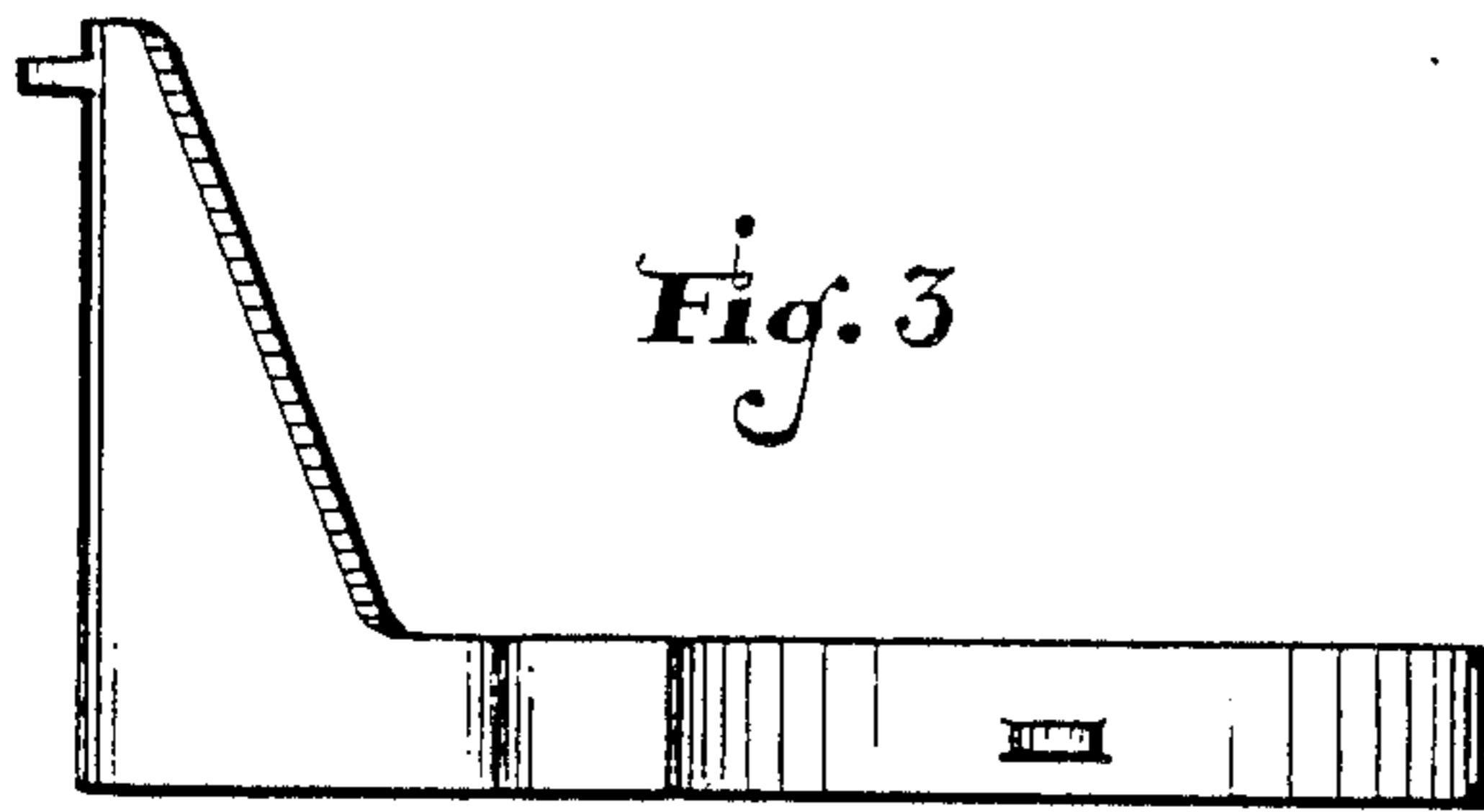
*Fig. 1*



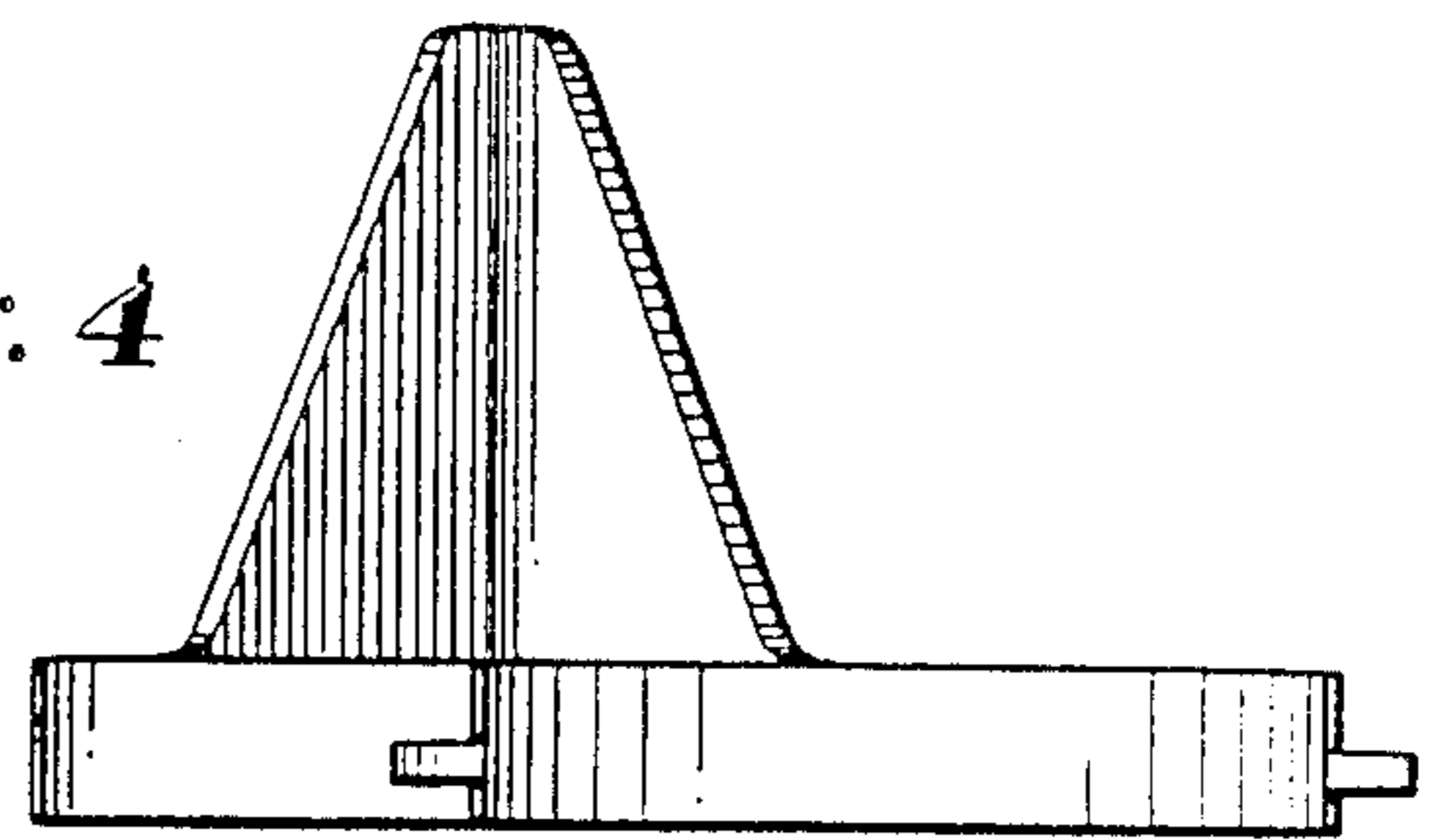
*Fig. 2*



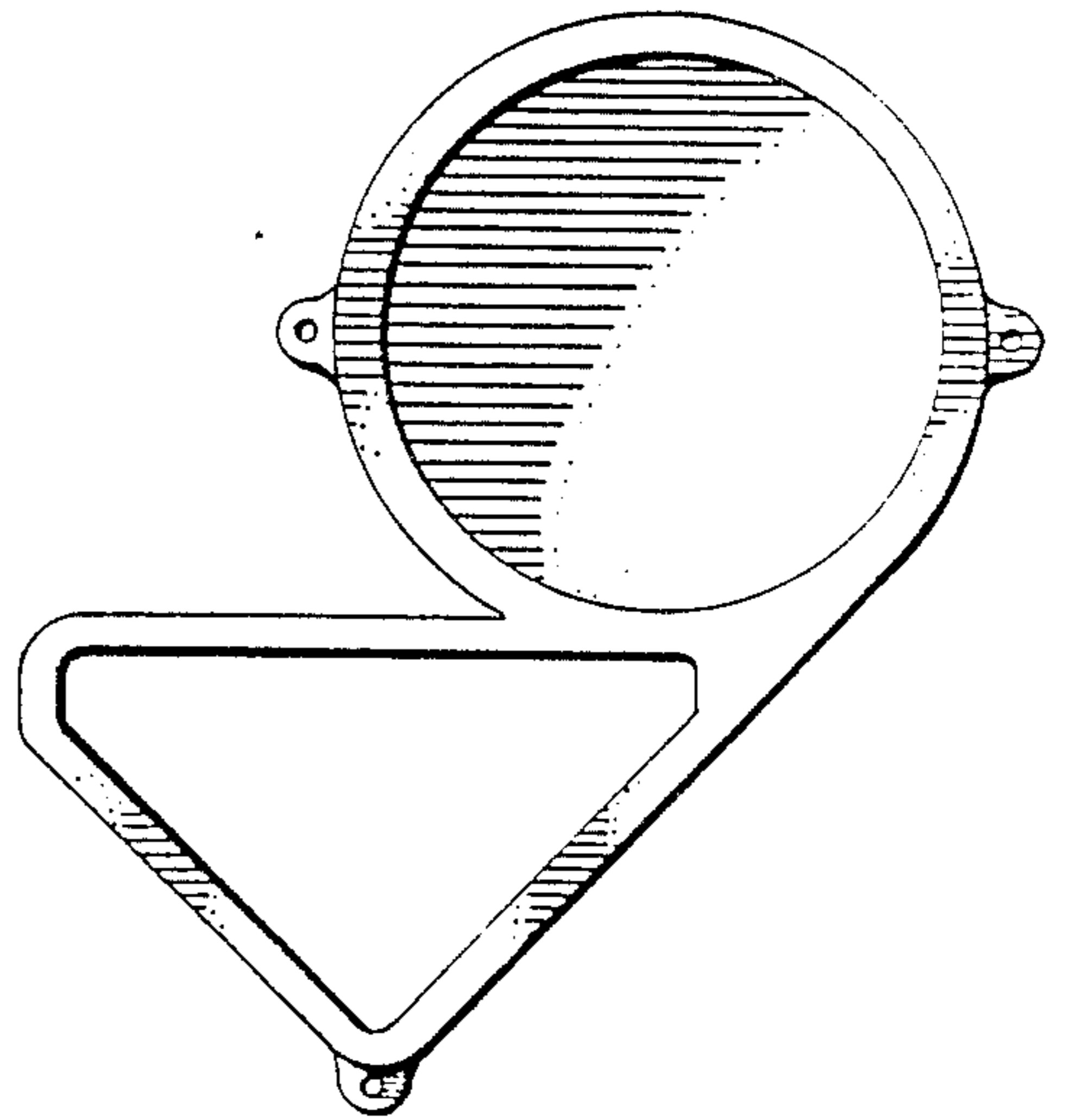
*Fig. 3*



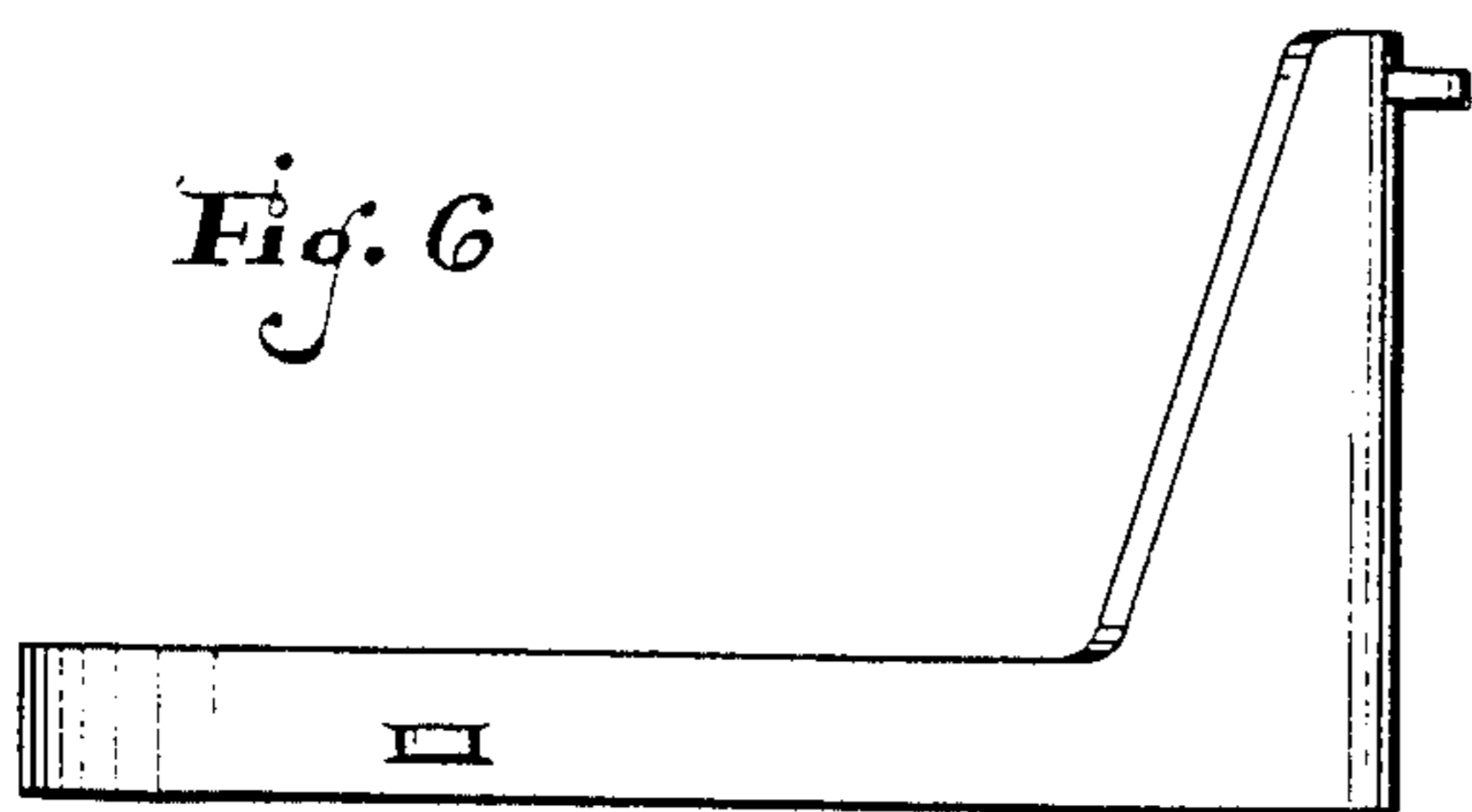
*Fig. 4*



*Fig. 5*



*Fig. 6*



*Fig. 7*

