

[54] OVERBED TABLE

[75] Inventor: Keith Muller, Toronto, Canada

[73] Assignee: Global Upholstery Company Limited, Downsview, Canada

[**] Term: 14 Years

[21] Appl. No.: 802,110

[22] Filed: Nov. 25, 1985

[30] Foreign Application Priority Data

May 29, 1985 [CA] Canada 2905851

[52] U.S. Cl. D6/406; D6/420

[58] Field of Search D6/406, 480, 440, 483, D6/443, 419, 420; 108/5, 6, 150, 136, 149, 144

[56] References Cited

U.S. PATENT DOCUMENTS

- D. 132,098 4/1942 Corbett D6/420
- D. 145,777 10/1946 Clachko D6/420 X
- D. 190,082 4/1961 Chervenka D6/420

- D. 198,169 5/1964 Armstrong D6/406
- D. 261,837 11/1981 Sonder et al. D6/406
- 357,074 2/1887 Fee 108/6
- 2,357,588 9/1944 Hillenbrand D6/406 X
- 2,640,748 6/1953 Holmberg 108/6
- 3,188,986 6/1965 La Vigne 108/144
- 3,682,112 8/1972 Emrick 108/150 X
- 4,077,333 3/1978 Ballas D6/406 X

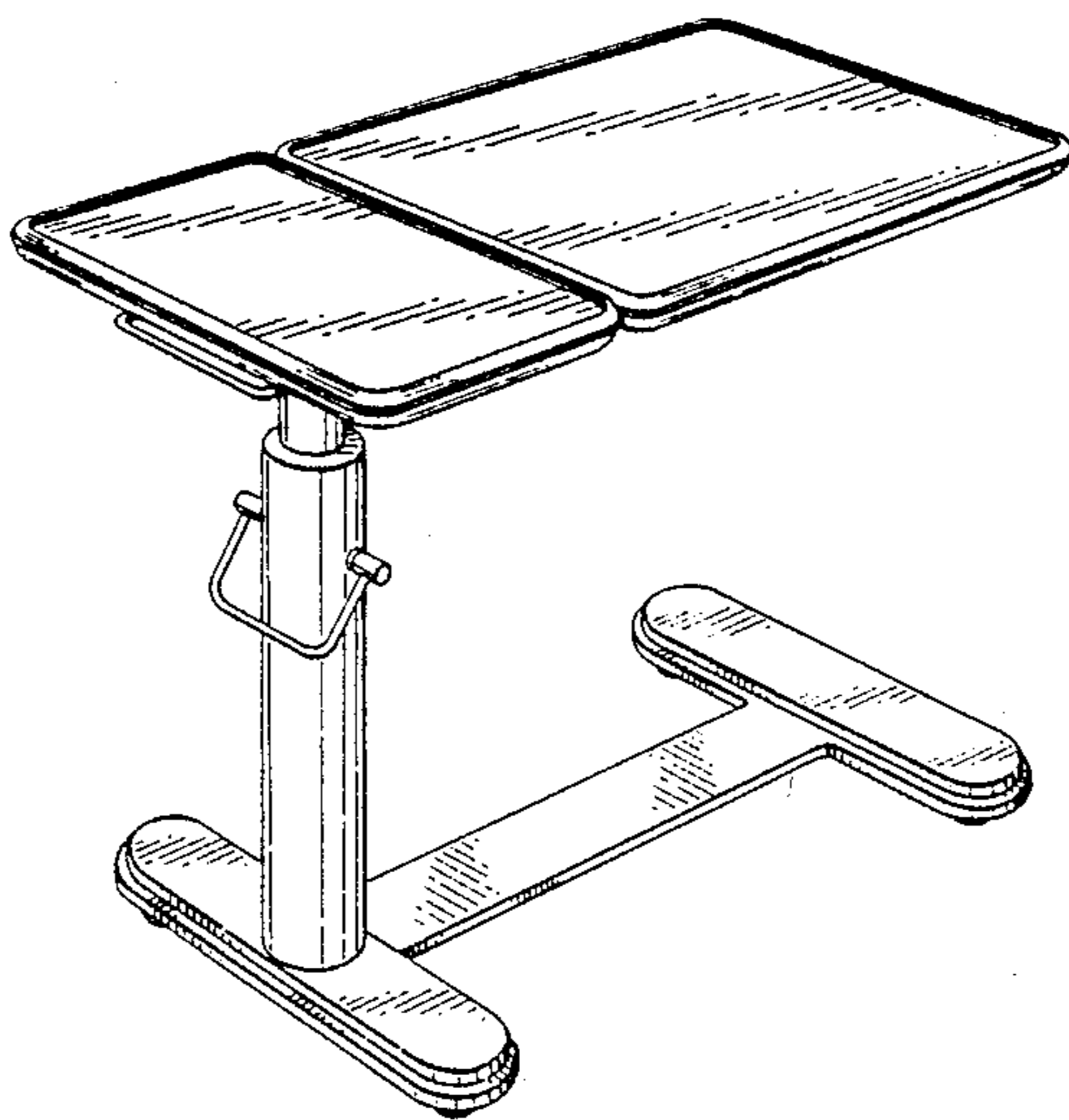
Primary Examiner—Carmen H. Vales
Attorney, Agent, or Firm—Rogers, Bereskin & Parr

[57] CLAIM

The ornamental design for an overbed table, as shown and described.

DESCRIPTION

FIG. 1 is a top perspective view of an overbed table showing my new design;
 FIG. 2 is a perspective view with the table top raised to one side;
 FIG. 3 is a perspective view with the table top raised to the other side; and
 FIG. 4 is a bottom perspective view of FIG. 1.



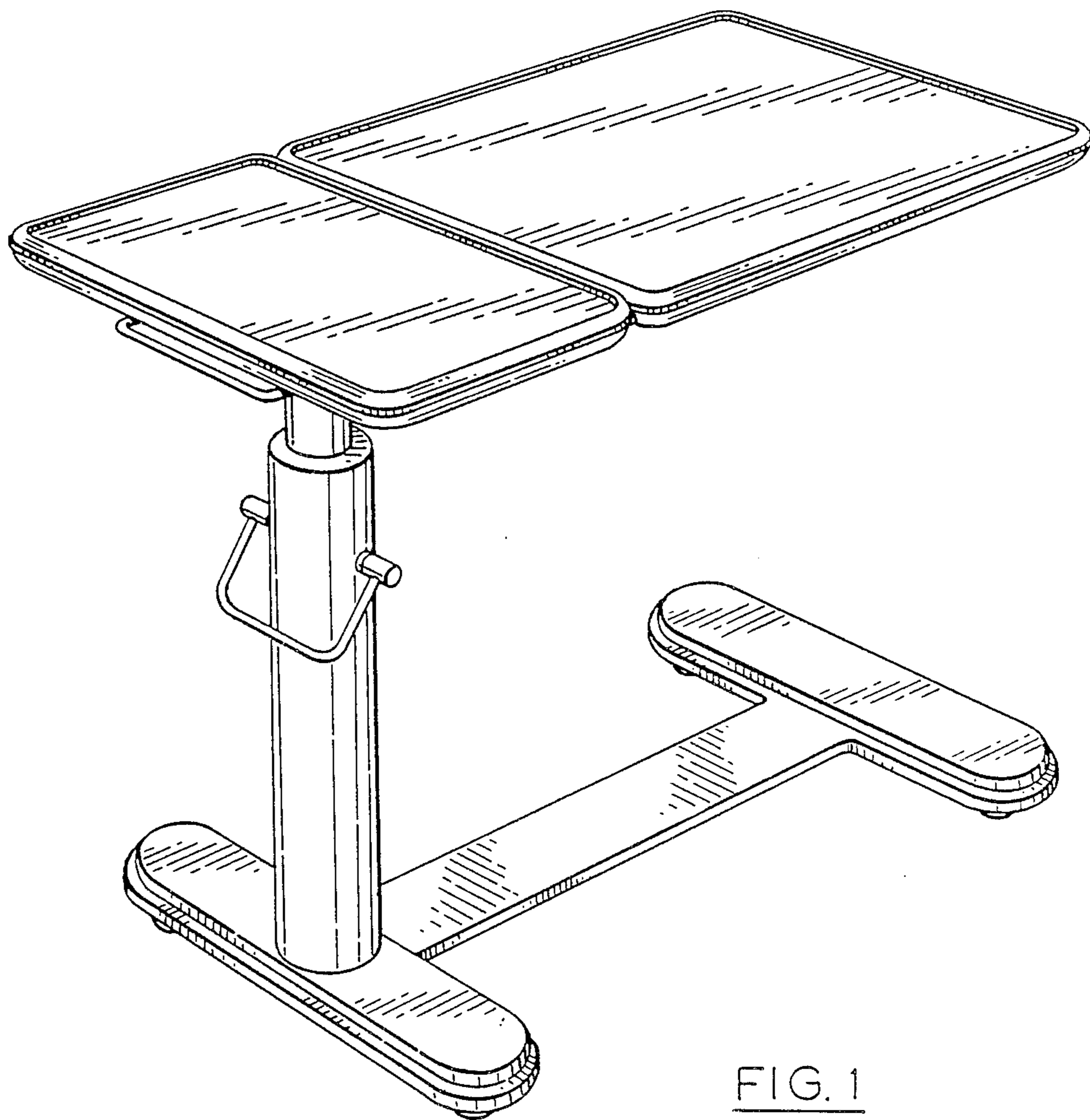


FIG. 1

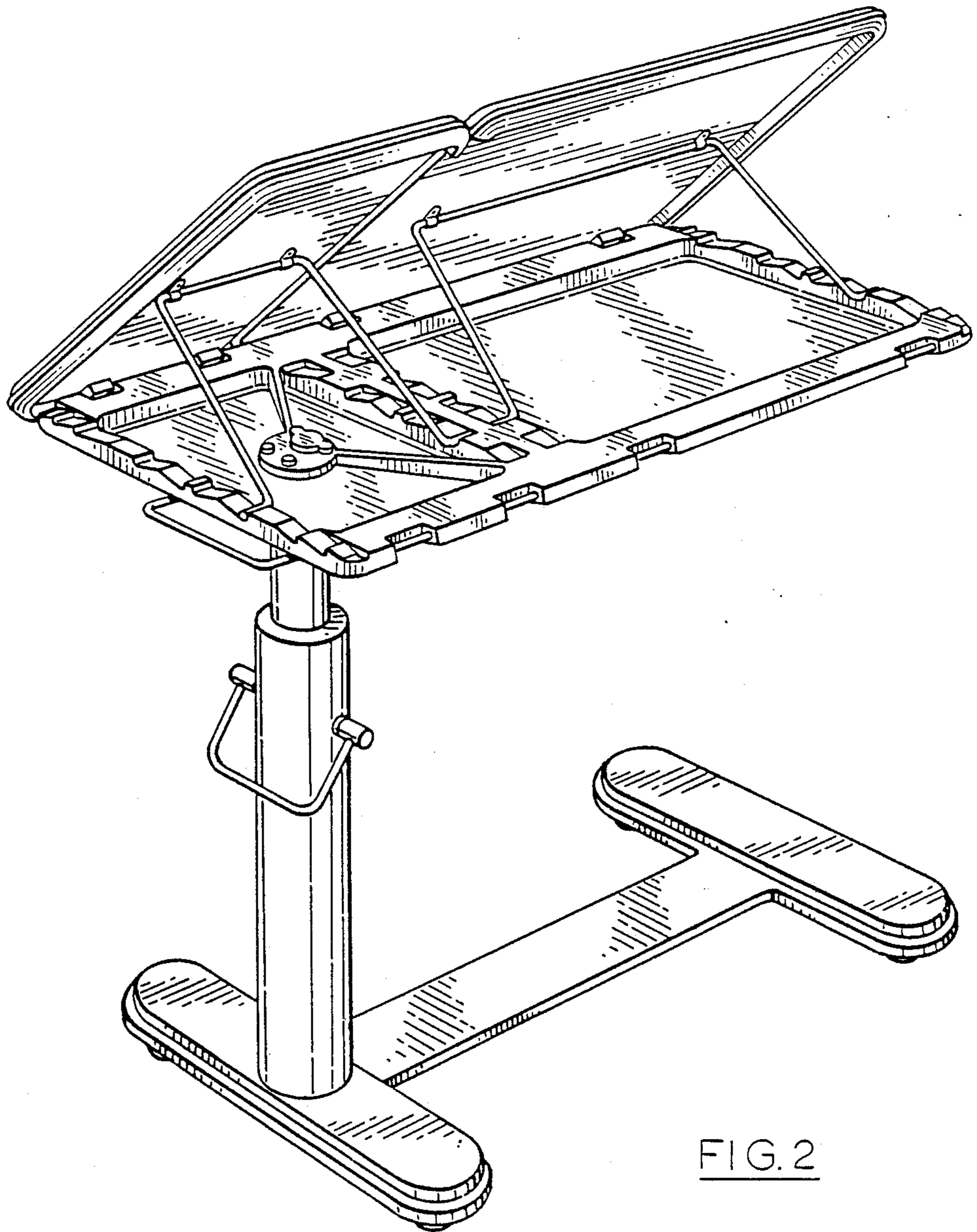


FIG. 2

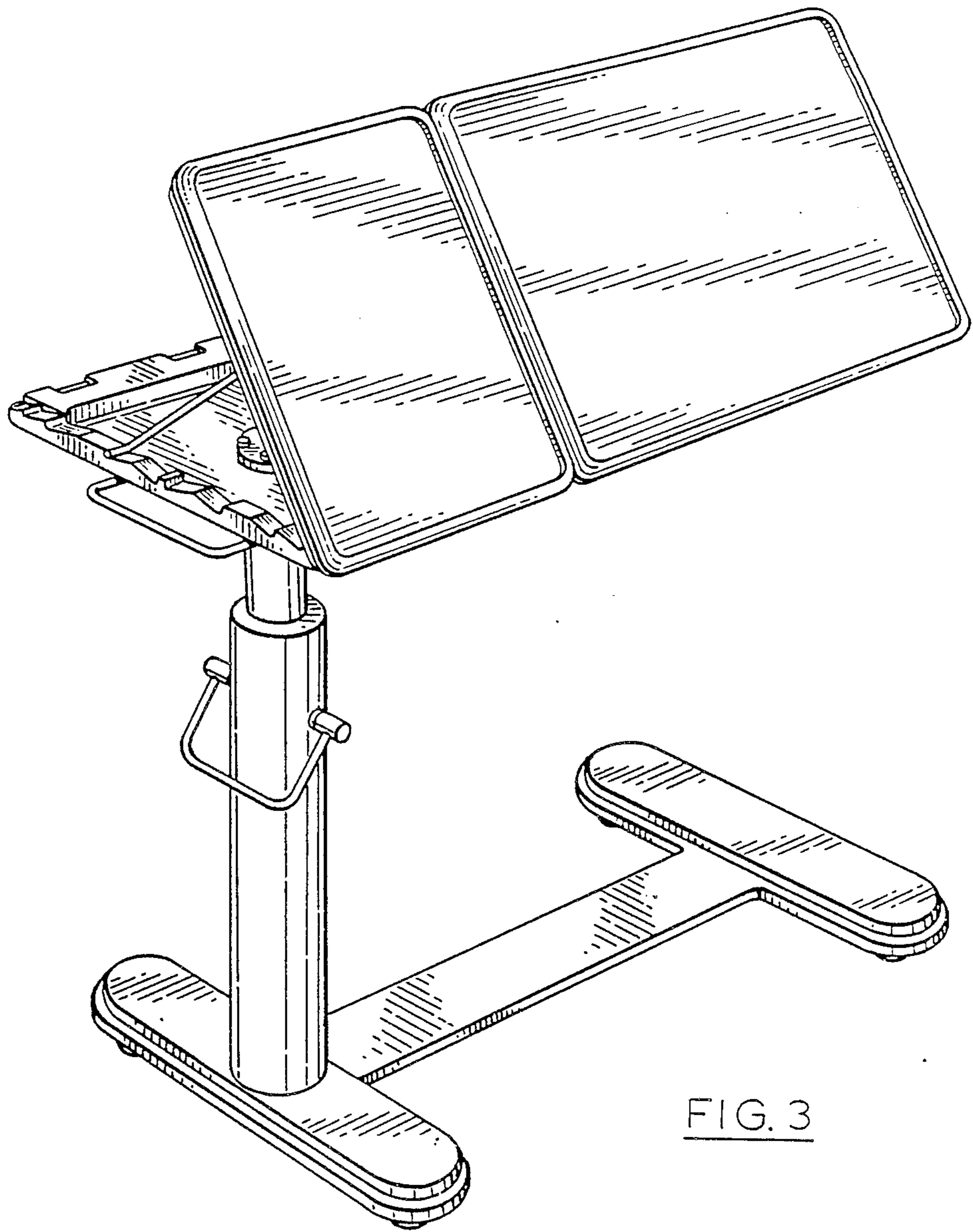


FIG. 3

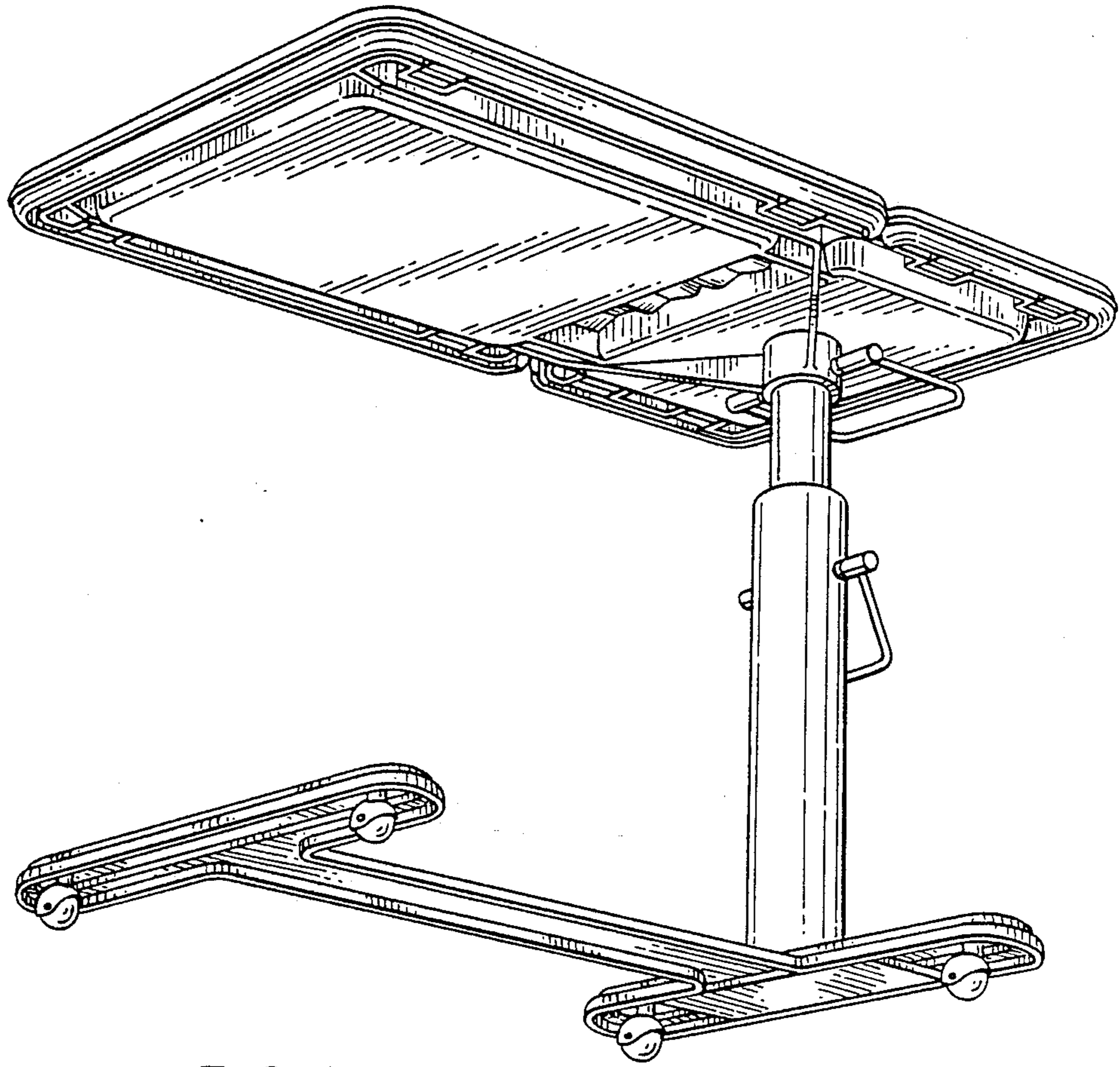


FIG. 4