

United States Patent [19]

Pryor et al.

[11] Patent Number: Des. 295,344

[45] Date of Patent: ** Apr. 26, 1988

[54] HOLDER FOR BELTS, TIES OR THE LIKE

[75] Inventors: Nicholas Pryor, Los Angeles; Brian H. Leigh, Tarzana, both of Calif.

[73] Assignee: Closet Design/Research, Tarzana, Calif.

[**] Term: 14 Years

[21] Appl. No.: 786,685

[22] Filed: Oct. 11, 1985

[52] U.S. Cl. D6/323; D6/317; D6/566; D6/569; D8/370; D8/372; D8/373

[58] Field of Search D6/553, 566, 317, 320, D6/323, 569; D8/370, 373, 372; 211/13, 87, 60.1, 70.8, 106, 181; 248/302

[56] References Cited

U.S. PATENT DOCUMENTS

3,659,722 5/1972 Carroll 211/106

FOREIGN PATENT DOCUMENTS

1557211 1/1969 France 211/106

OTHER PUBLICATIONS

Springs & Formed Wire Cat., ©1947; p. 10; Angled Wire (upper left of center).

Primary Examiner—B. J. Bullock

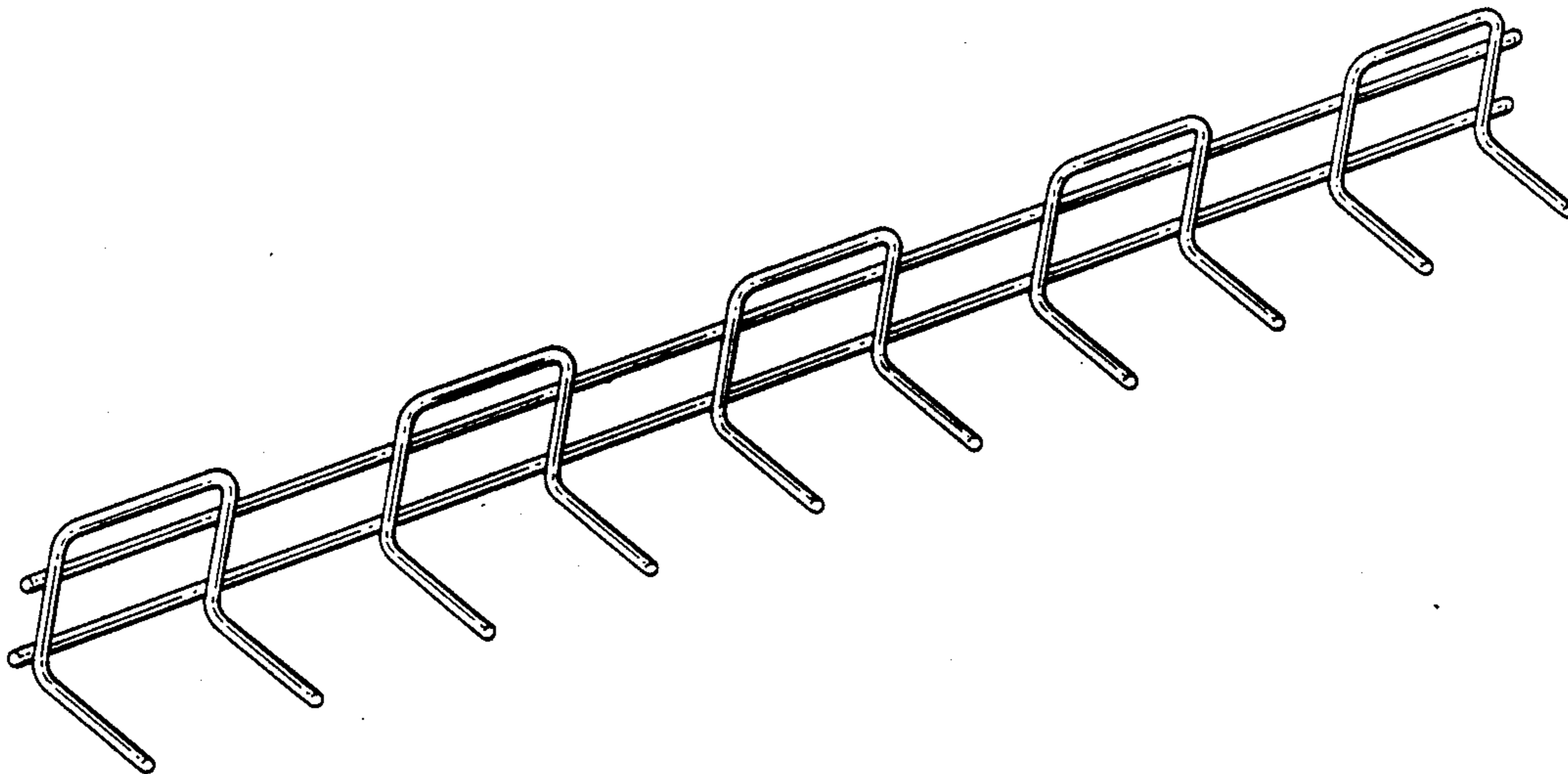
Attorney, Agent, or Firm—Burns, Doane, Swecker & Mathis

[57] CLAIM

The ornamental design for a holder for belts, ties or the like, substantially as shown and described.

DESCRIPTION

FIG. 1 is a top front perspective view of a holder for belts, ties or the like showing our new design; FIG. 2 is an enlarged left end elevational view thereof; FIG. 3 is a front elevational view thereof; and FIG. 4 is a rear elevational view thereof.



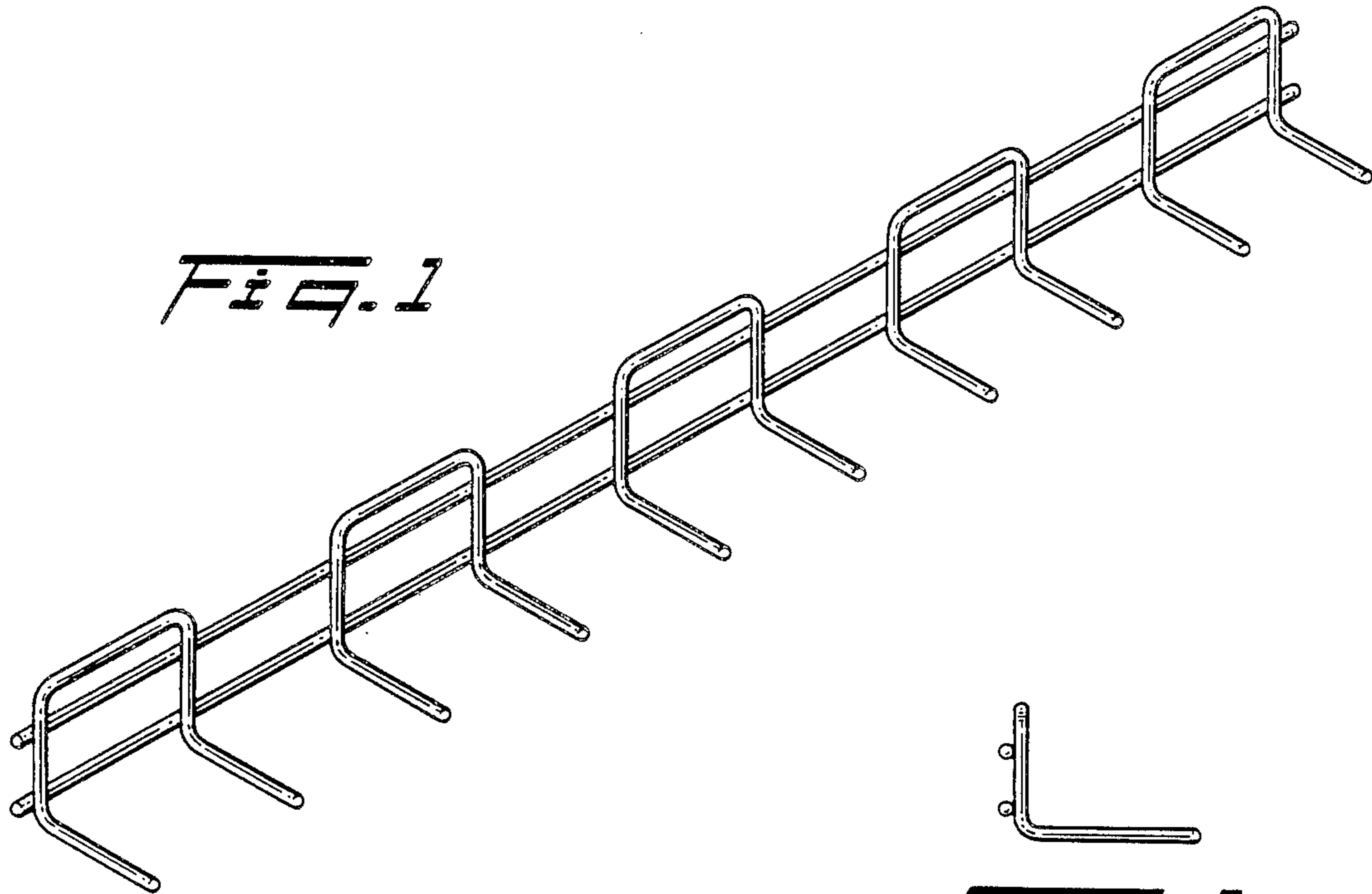


Fig. 1

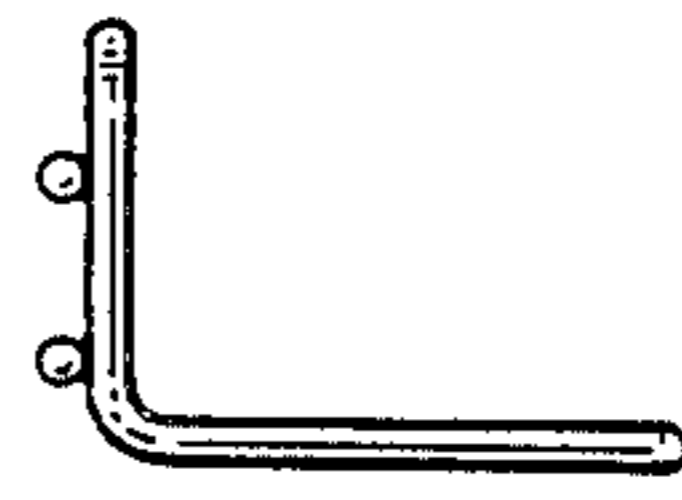


Fig. 2

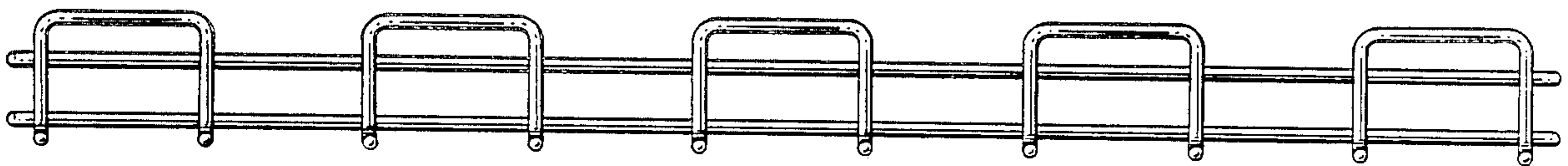


Fig. 3

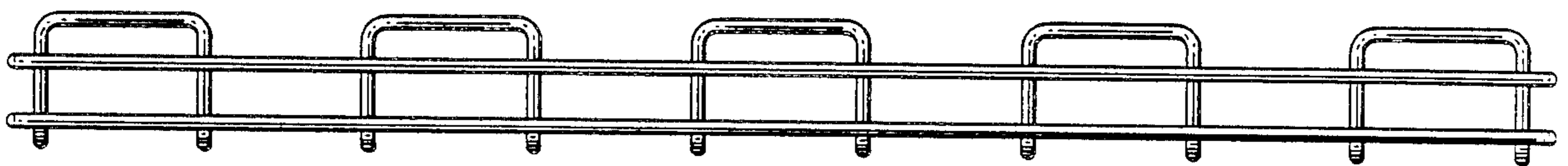


Fig. 4