

[54] BULK STORAGE DISPENSING BIN AND SUPPORT ASSEMBLY

FOREIGN PATENT DOCUMENTS

57667	5/1977	Japan	414/291
2168328	6/1986	United Kingdom	211/59.2
1043084	9/1983	U.S.S.R.	414/328

[76] Inventor: Scott R. Culshaw, 9538 Knight La., Stockton, Calif. 95209

Primary Examiner—James M. Gandy
Assistant Examiner—Kay H. Chin
Attorney, Agent, or Firm—Flehr, Hohbach, Test, Albritton & Herbert

[**] Term: 14 Years

[21] Appl. No.: 788,717

[57] CLAIM

[22] Filed: Oct. 17, 1985

The ornamental design for a bulk storage dispensing bin and support assembly, as shown and described.

[52] U.S. Cl. D34/28

[58] Field of Search D34/28; D9/455, 369; 222/185; 414/328, 291; 211/59.2

DESCRIPTION

[56] References Cited

U.S. PATENT DOCUMENTS

D. 267,360	12/1982	Pair	D34/28
3,666,119	5/1972	Parsons	414/328
4,063,663	12/1977	Larson et al.	222/185
4,687,121	8/1987	Copeland	222/185

FIG. 1 is a front elevational view of a bulk storage dispensing bin and support assembly showing my new design;

FIG. 2 is a right side elevational view thereof, the left side elevational view being a mirror image of that shown;

FIG. 3 is a rear elevational view thereof;

FIG. 4 is a top plan view thereof; and

FIG. 5 is a bottom plan view thereof.

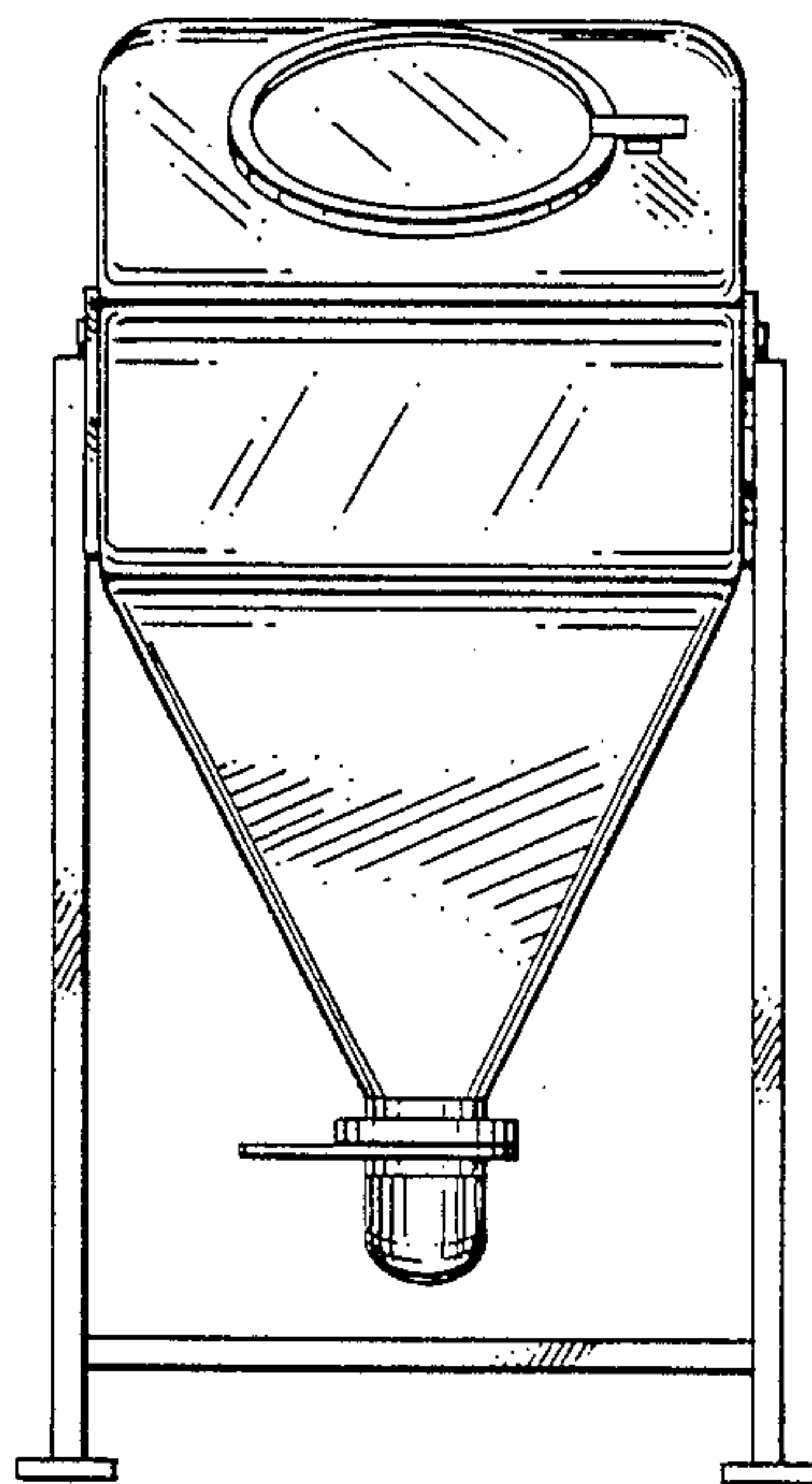


FIG 4

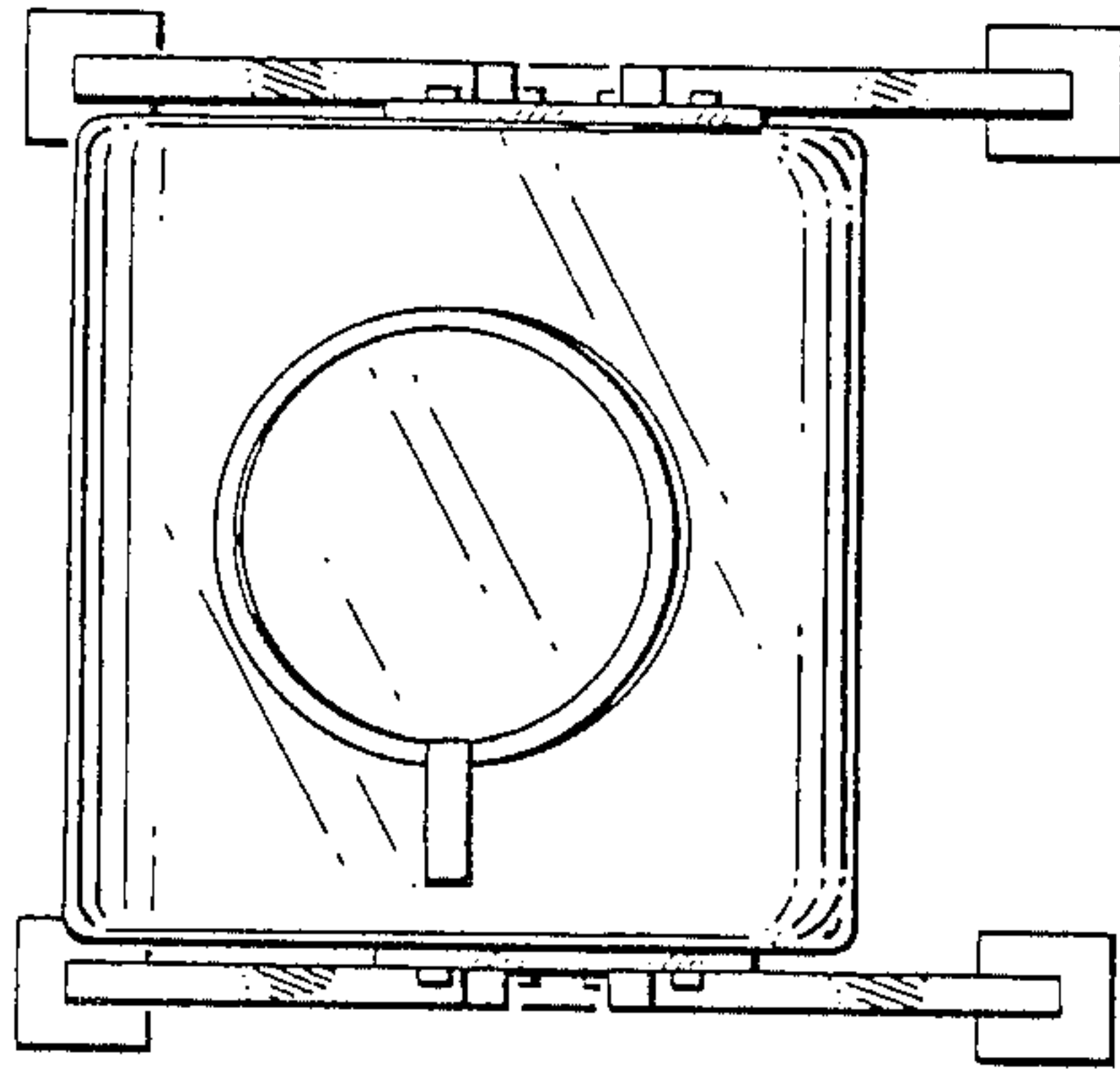


FIG 1

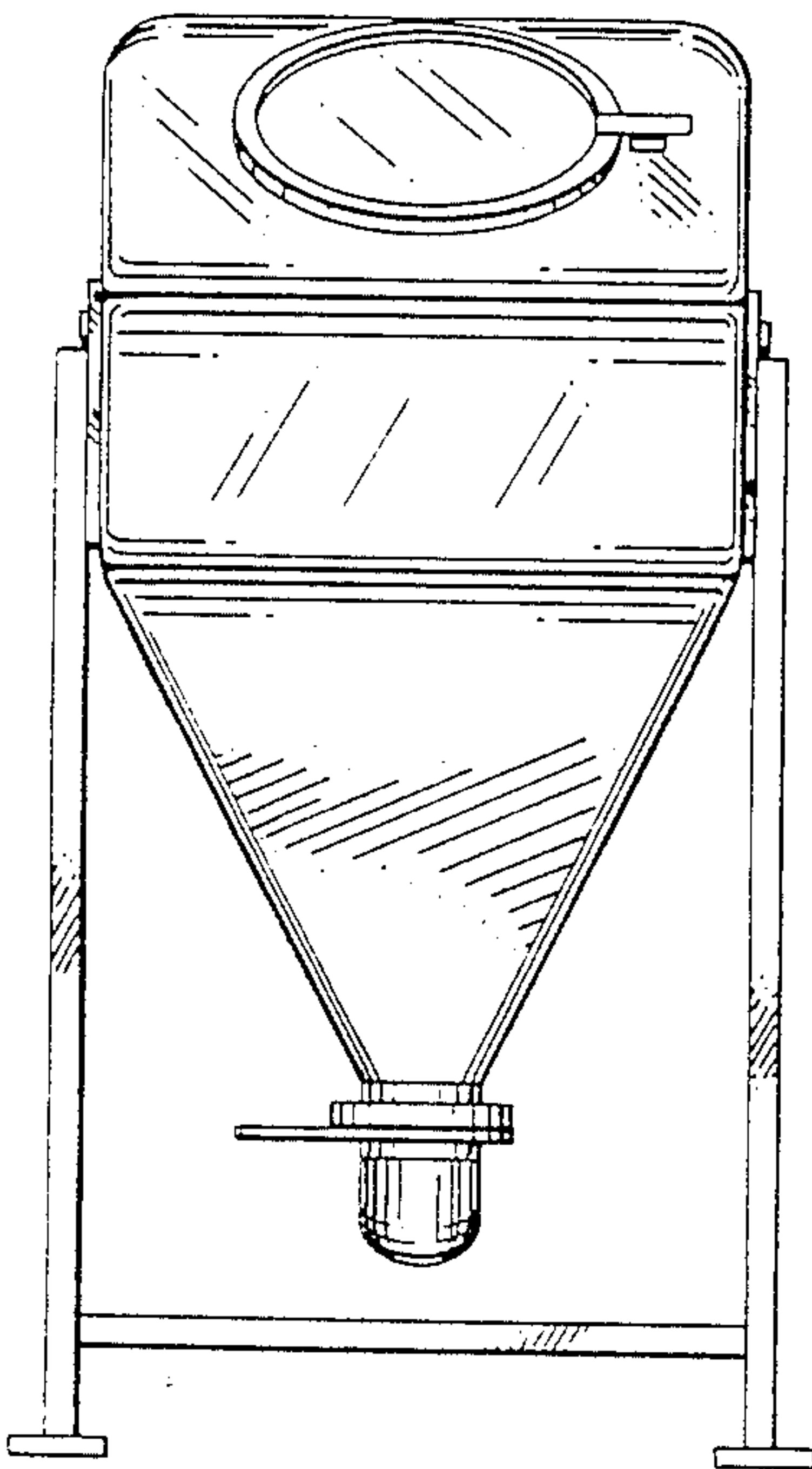


FIG 2

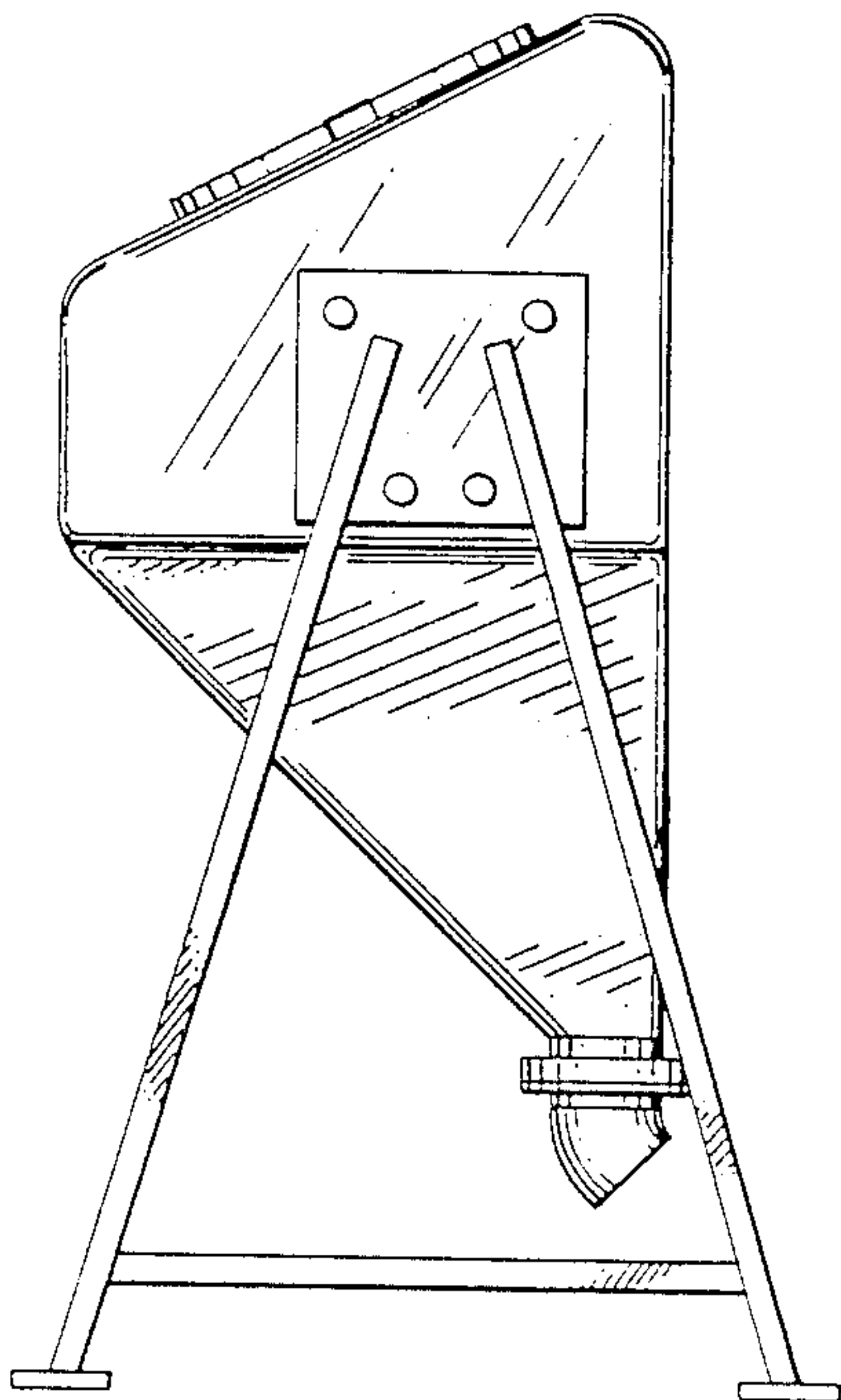


FIG 3

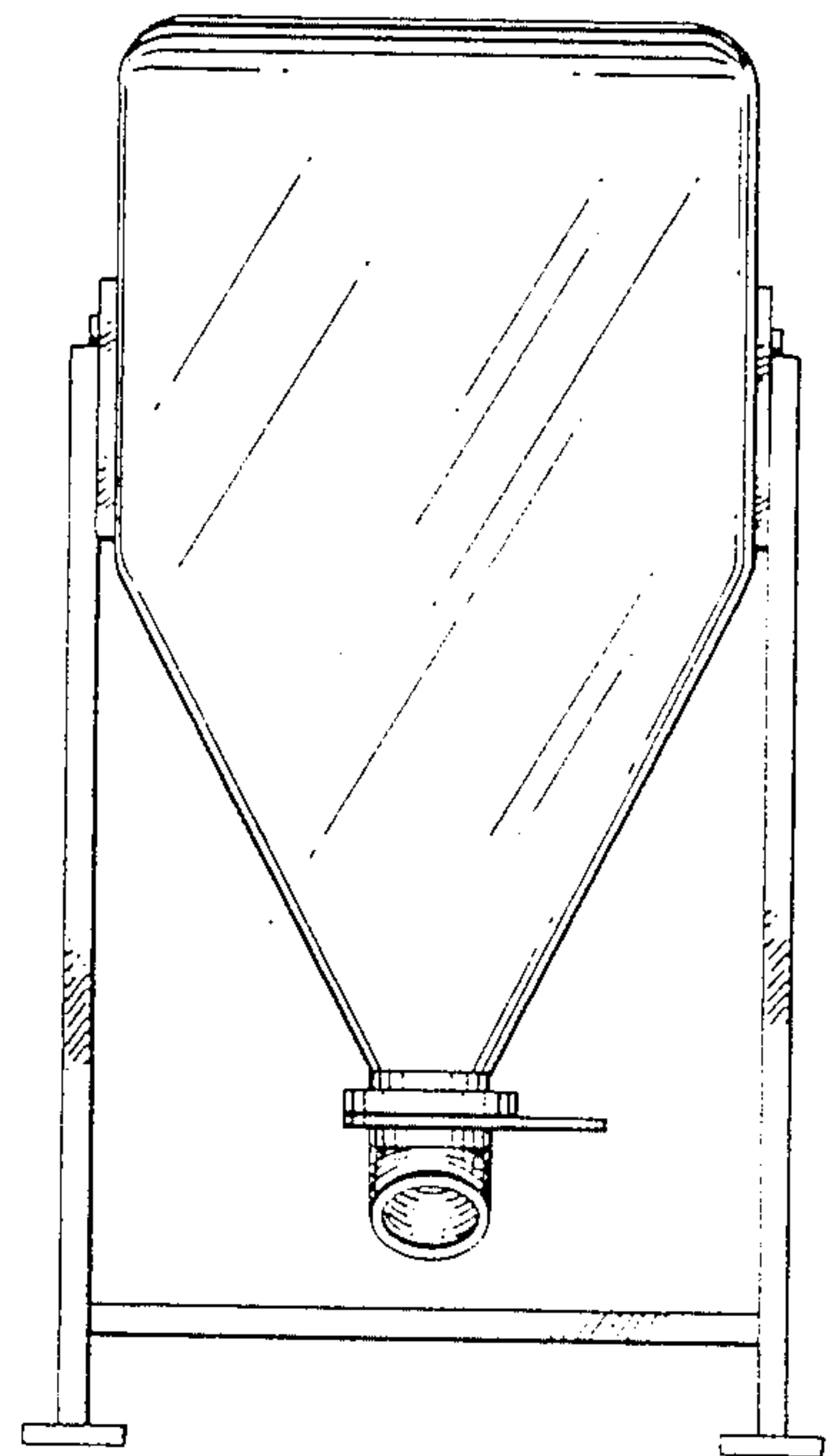


FIG 5

