

[54] MOBILE SUPPORT RACK FOR USE IN  
CLEANING KITCHEN MAT

[76] Inventor: Rick M. Bogart, 25265 La Estrada,  
Laguna Niguel, Calif. 92677

[\*\*] Term: 14 Years

[21] Appl. No.: 845,062

[22] Filed: Mar. 19, 1986

[52] U.S. Cl. .... D34/17; D6/479;  
280/35; D34/23

[58] Field of Search ..... D34/12, 17, 18, 20,  
D34/21, 22, 23; D6/479; 211/59.1, 125;  
280/638, 35, 651, 79.3, 79.1 A

[56] References Cited

U.S. PATENT DOCUMENTS

D. 106,230	9/1937	Fawcett	211/59.1
2,333,450	11/1943	Staley	280/35
2,466,149	4/1949	Burg	280/79.3
3,705,731	12/1972	Berchak	280/651
4,032,165	6/1977	Russell	280/79.3

FOREIGN PATENT DOCUMENTS

96505 12/1959 Denmark ..... 280/79.3

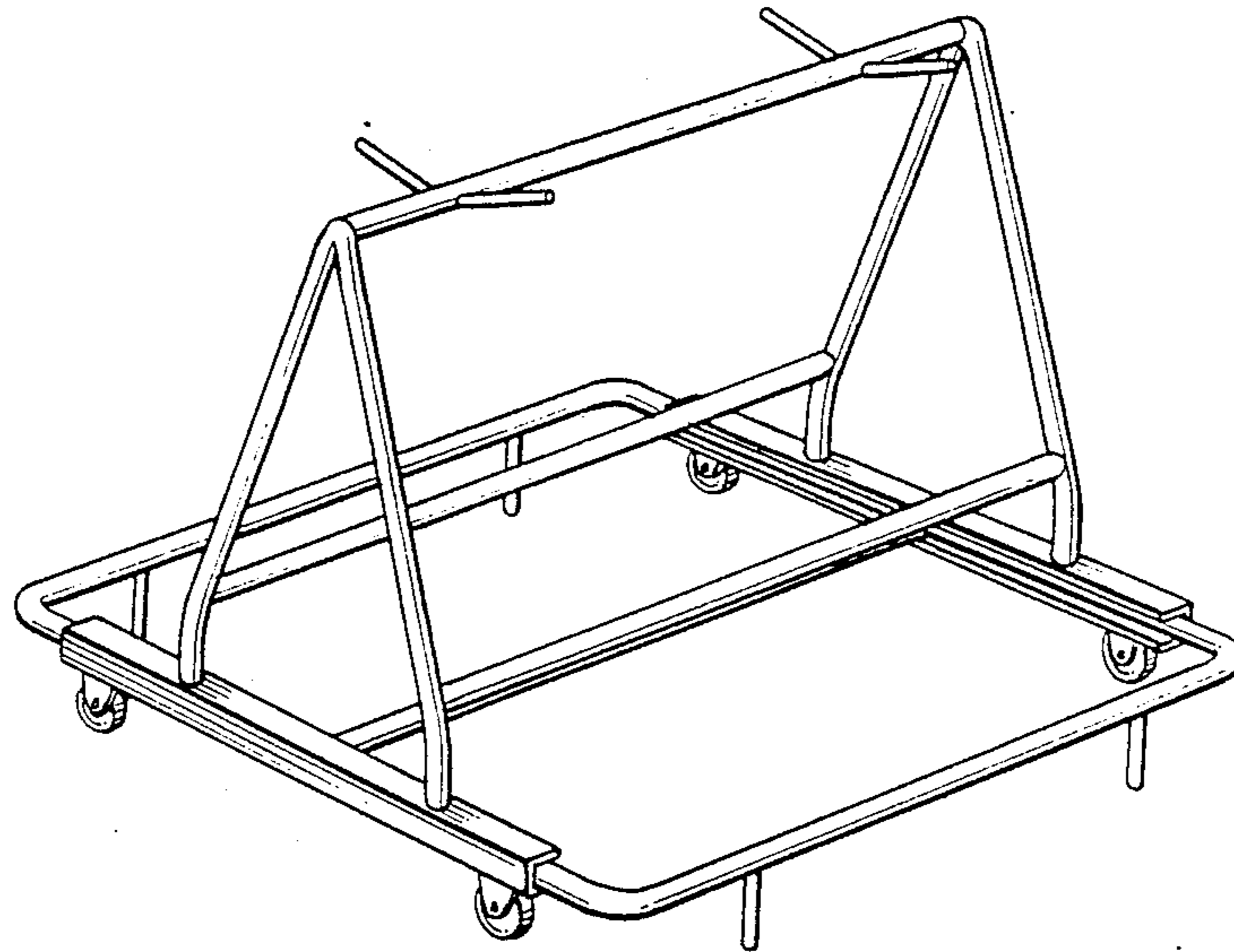
Primary Examiner—James M. Gandy  
Assistant Examiner—Kay H. Chin  
Attorney, Agent, or Firm—Fulwider, Patton, Rieber,  
Lee & Utecht

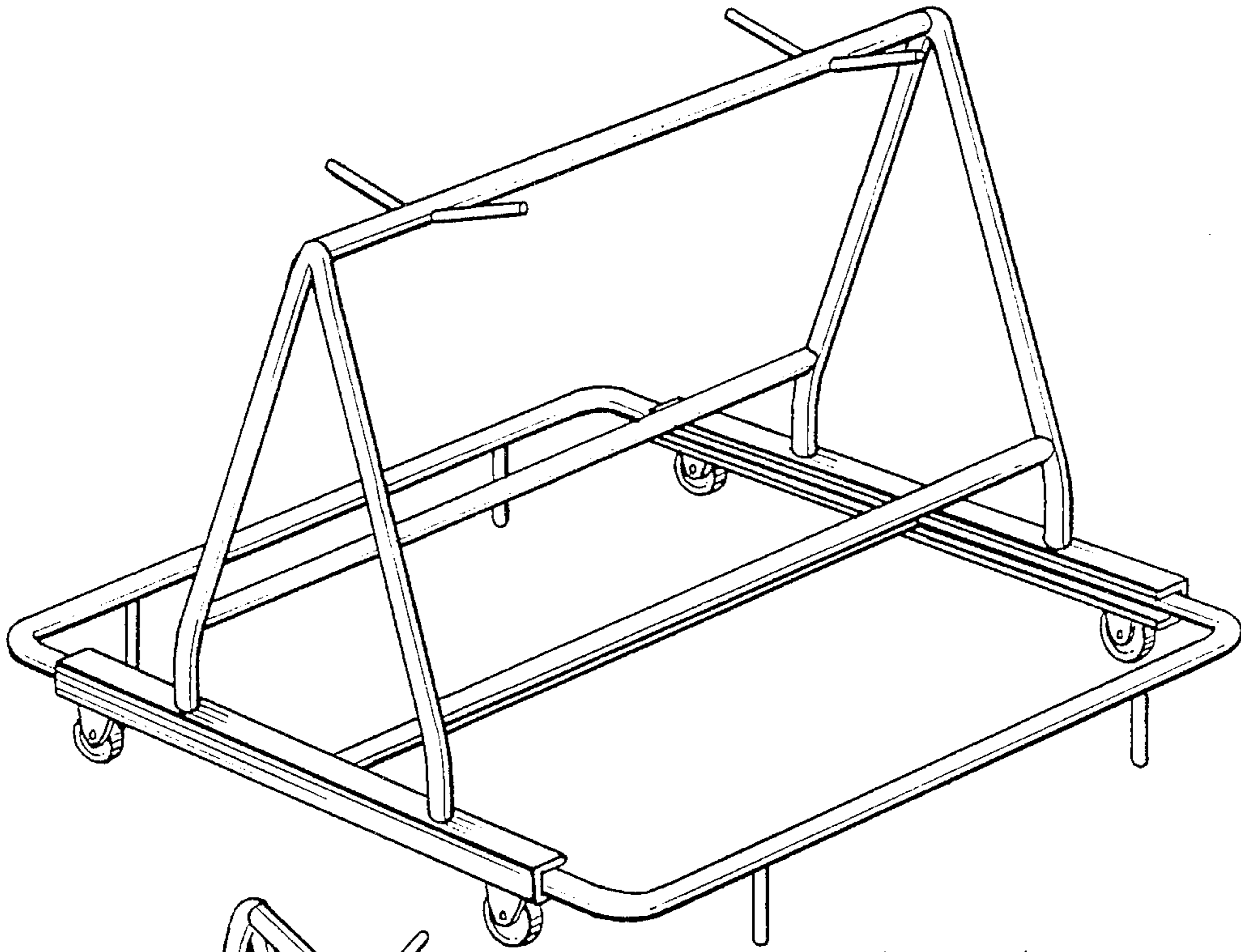
[57] CLAIM

The ornamental design for a mobile support rack for use in cleaning kitchen mat, substantially as shown and described.

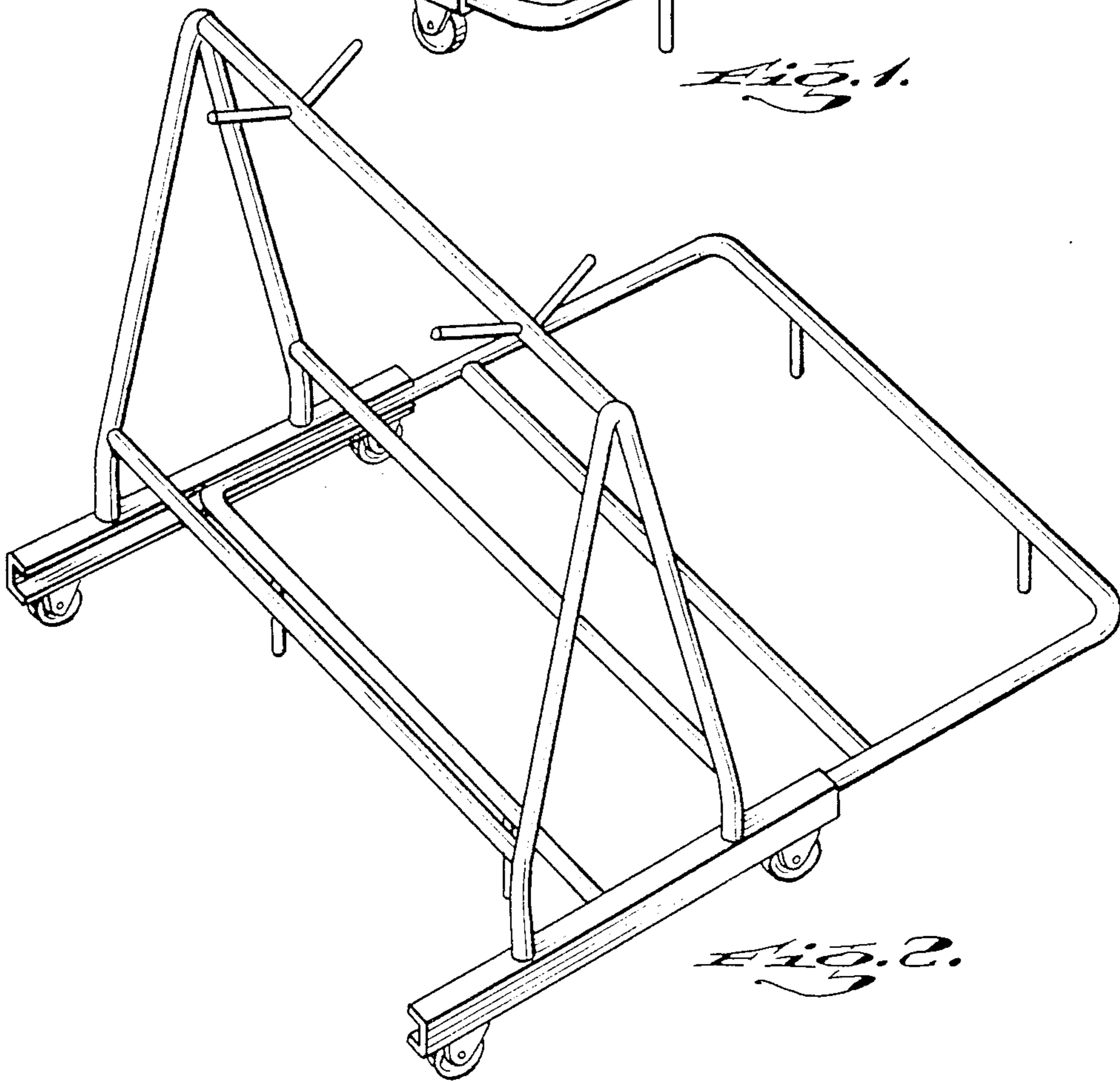
DESCRIPTION

FIG. 1 is a front perspective view of a mobile support rack for use in cleaning kitchen mat, showing my new design;  
FIG. 2 is a rear perspective view thereof, with a sliding lower rack component of the cart in an extended condition;  
FIG. 3 is a top plan view thereof;  
FIG. 4 is a left side elevational view thereof, the right side elevational view being a mirror image of that shown; and,  
FIG. 5 is a front elevational view thereof, the rear elevational view being a mirror image of that shown.

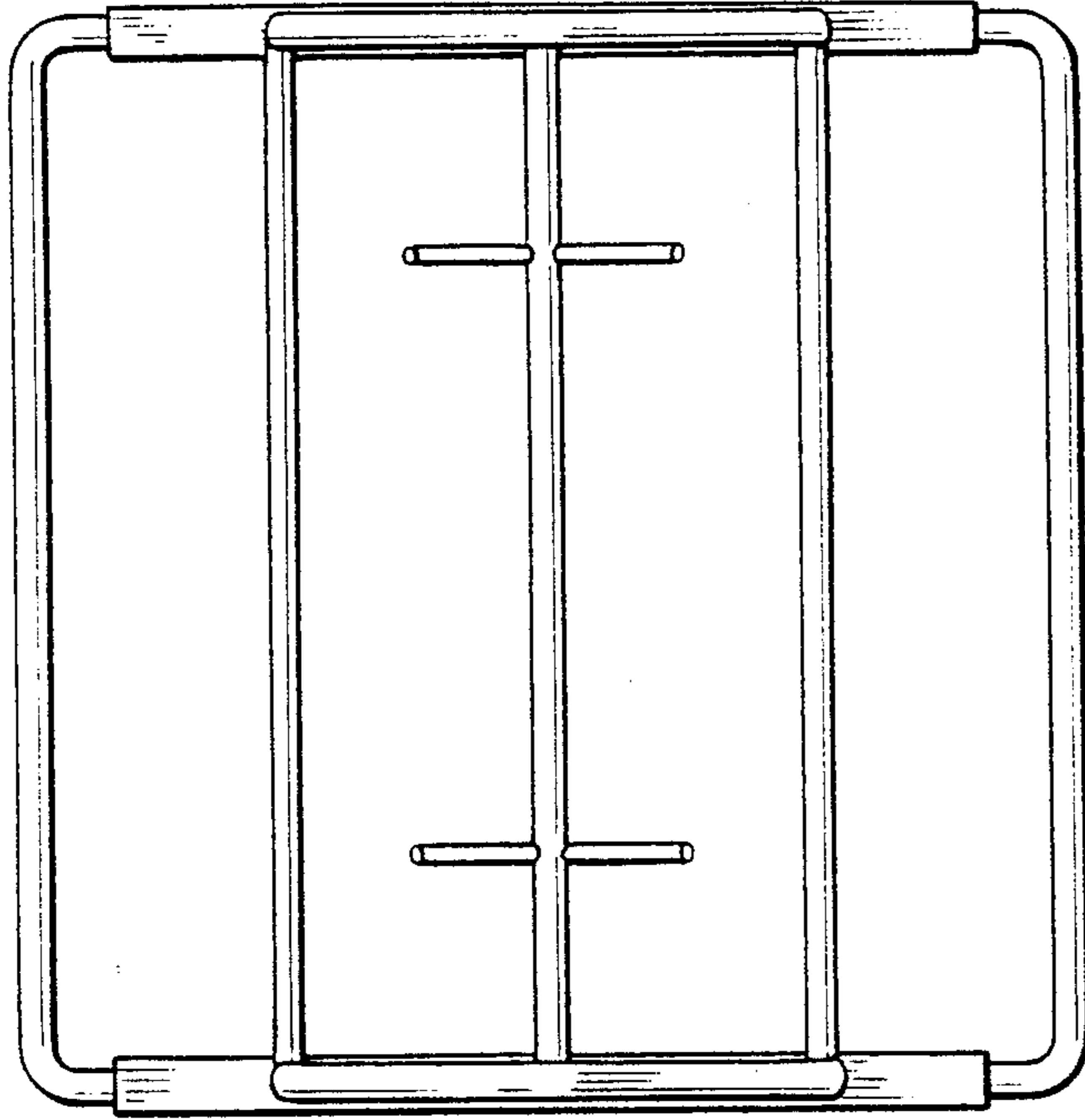




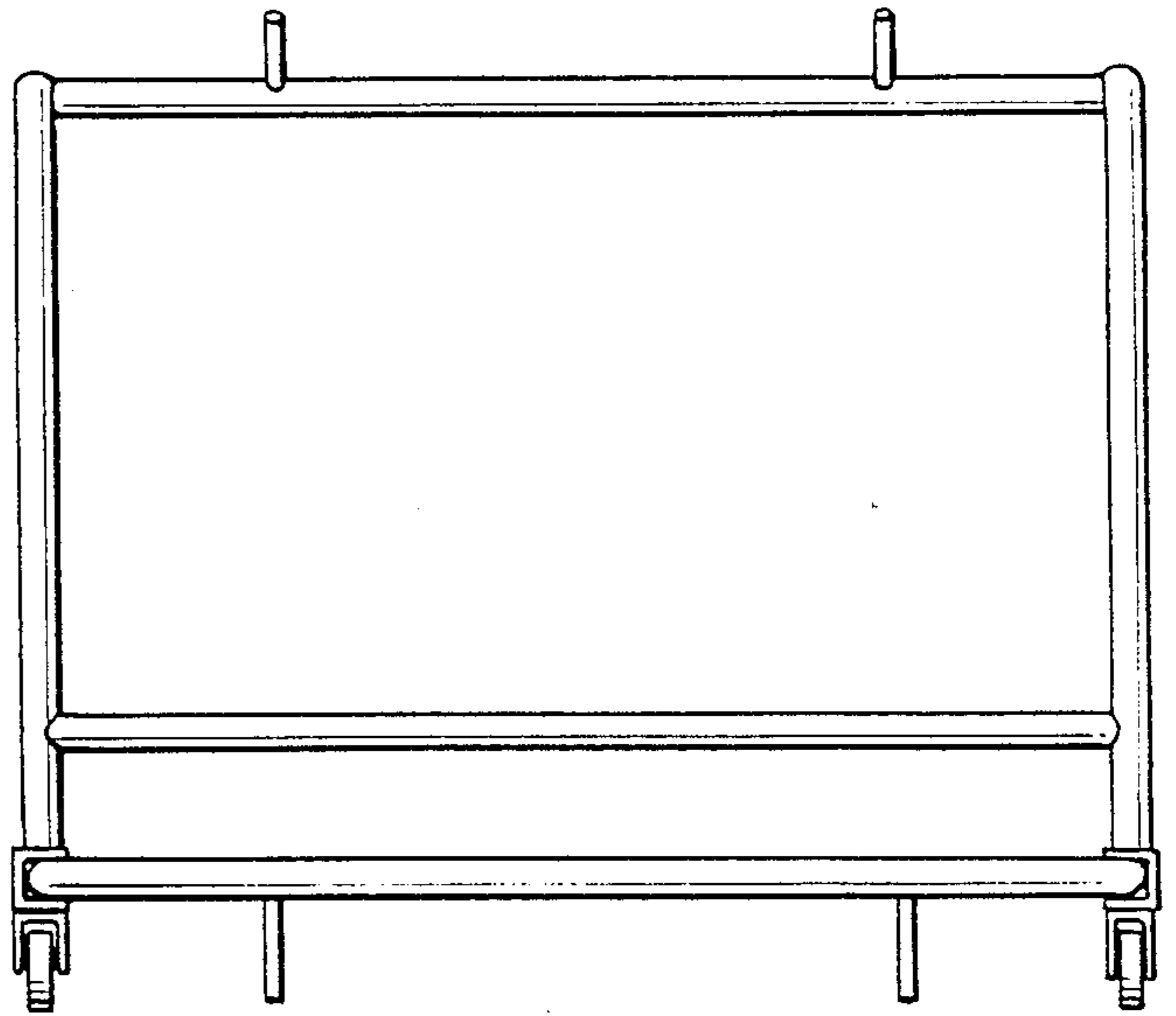
*Fig. 1.*



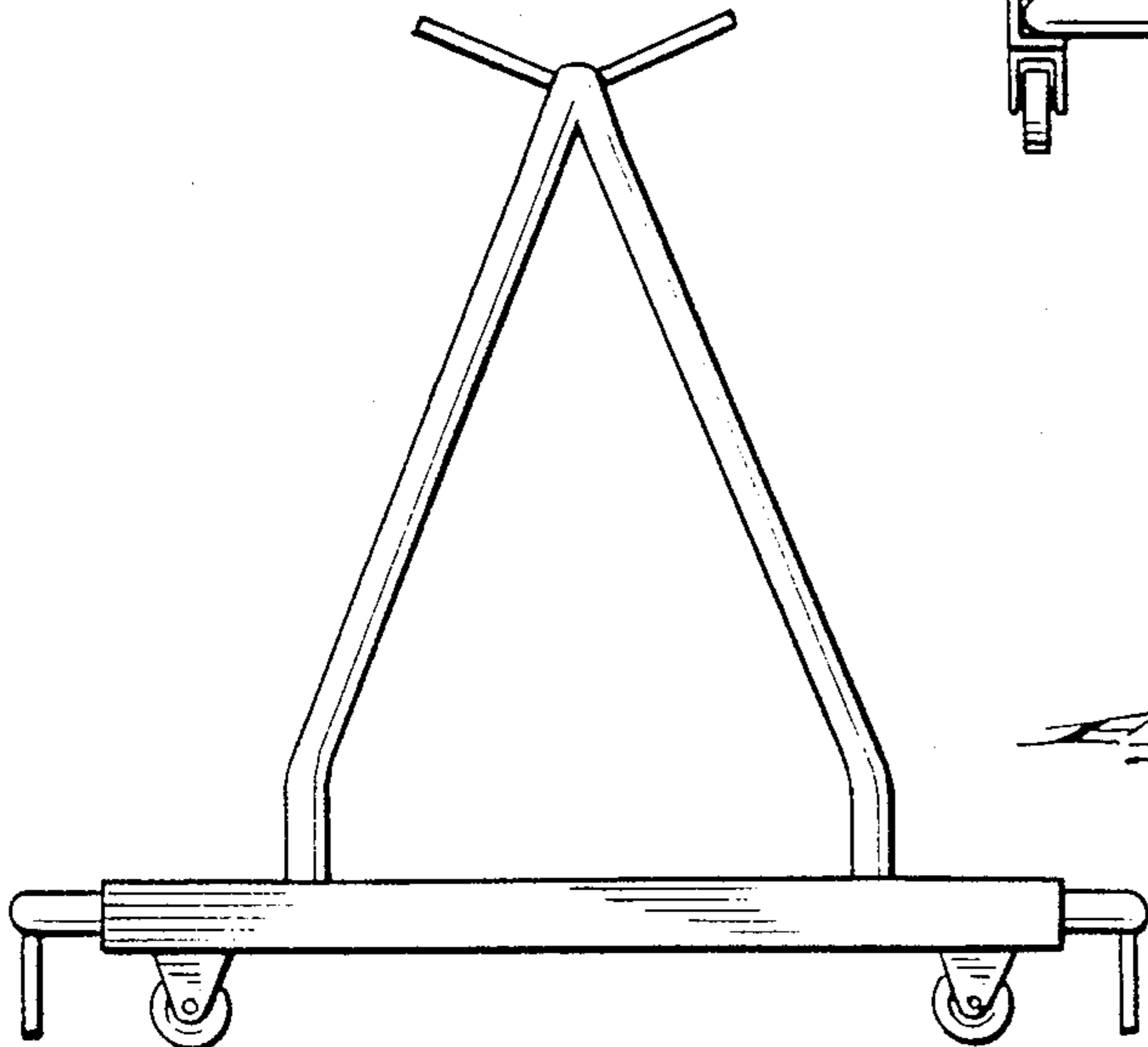
*Fig. 2.*



*Fig. 3.*



*Fig. 5.*



*Fig. 4.*