

[54] SCOOP FOR FURNACE ASHES

2,864,117 12/1958 Williams 15/257.3
2,987,749 6/1961 Gortner D32/74 X
3,608,944 9/1971 Turner 294/3.5

[76] Inventor: Al J. Kuder, 113 N. Oak St.,
Centralia, Wash. 98531

FOREIGN PATENT DOCUMENTS

[**] Term: 14 Years

916854 8/1954 Fed. Rep. of Germany 294/3.5
855622 12/1960 United Kingdom 294/3.5

[21] Appl. No.: 694,836

[22] Filed: Jan. 25, 1985

Primary Examiner—Catherine E. Kemper
Attorney, Agent, or Firm—Norman B. Rainer

[52] U.S. Cl. D32/74

[58] Field of Search D23/131, 138.2; D7/102,
D7/104; D32/74; D34/7; D30/99; 294/1.3,
3.5, 9, 14, 49, 55; 209/417-419; 126/280,
242-245; 15/257.1, 257.3, 257.4, 257.6, 257.9;
220/2; D8/10, 45

[57] CLAIM

The ornamental design for a scoop for furnace ashes,
substantially as shown and described.

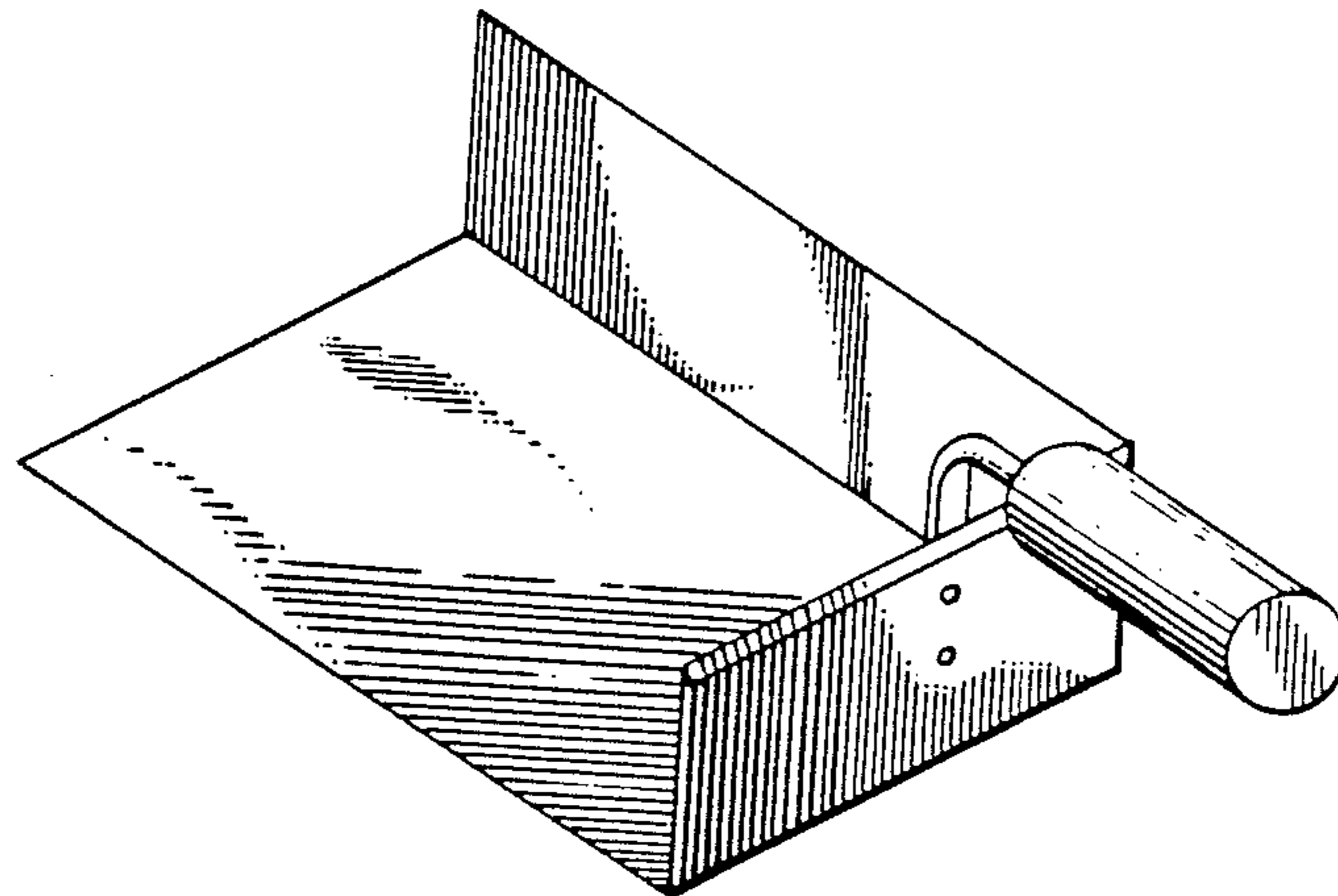
DESCRIPTION

[56] References Cited

U.S. PATENT DOCUMENTS

D. 187,079 1/1960 Horn et al. D7/102
887,009 5/1908 Musgrove, Jr. 294/54.5 X
2,299,418 10/1942 Thomas 294/55

FIG. 1 is a perspective view of a scoop for furnace
ashes, showing my new design;
FIG. 2 is a top plan view thereof;
FIG. 3 is a left side elevational view thereof;
FIG. 4 is a right side elevational view thereof;
FIG. 5 is a right end elevational view thereof.



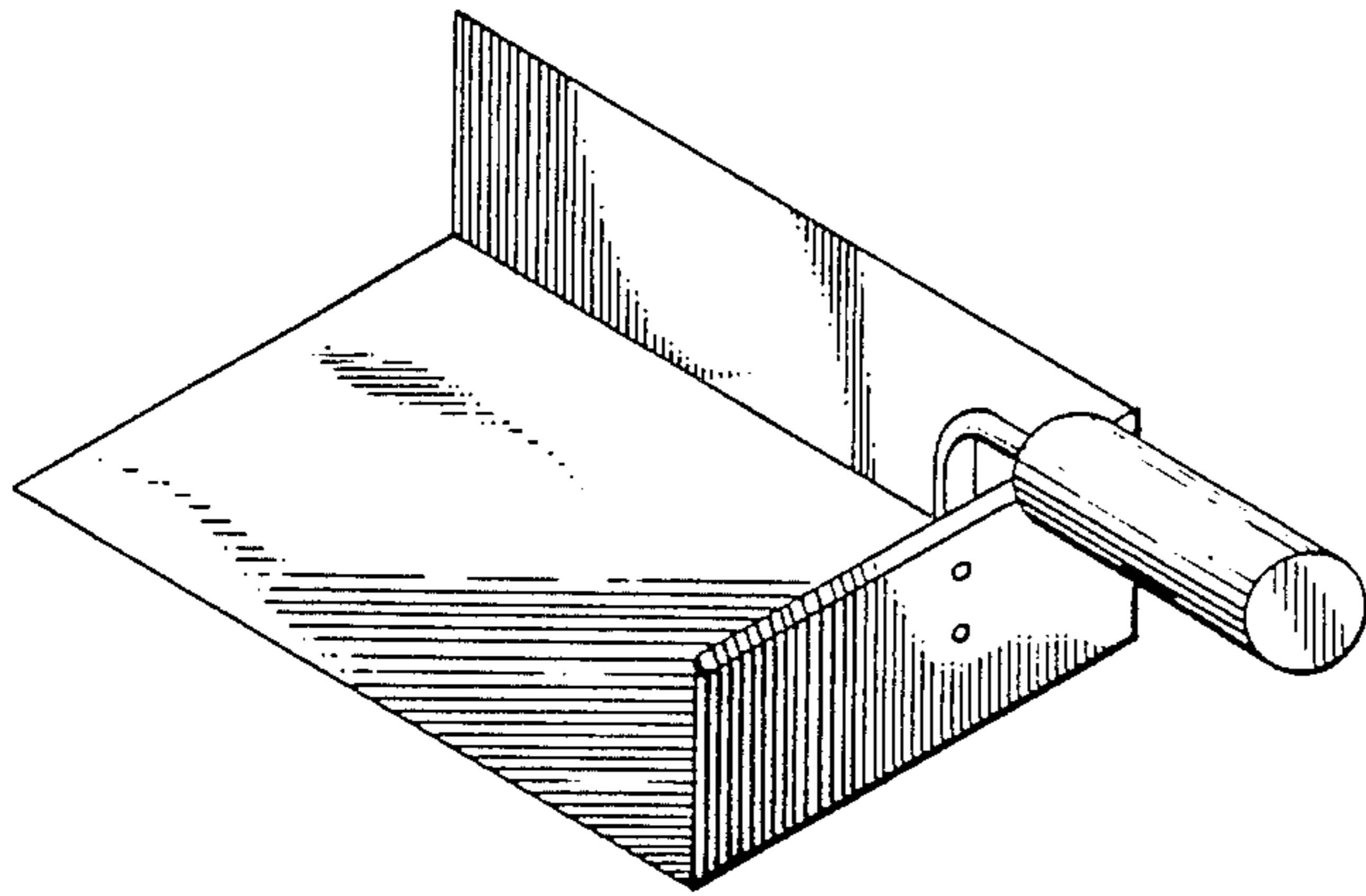


Fig. 1

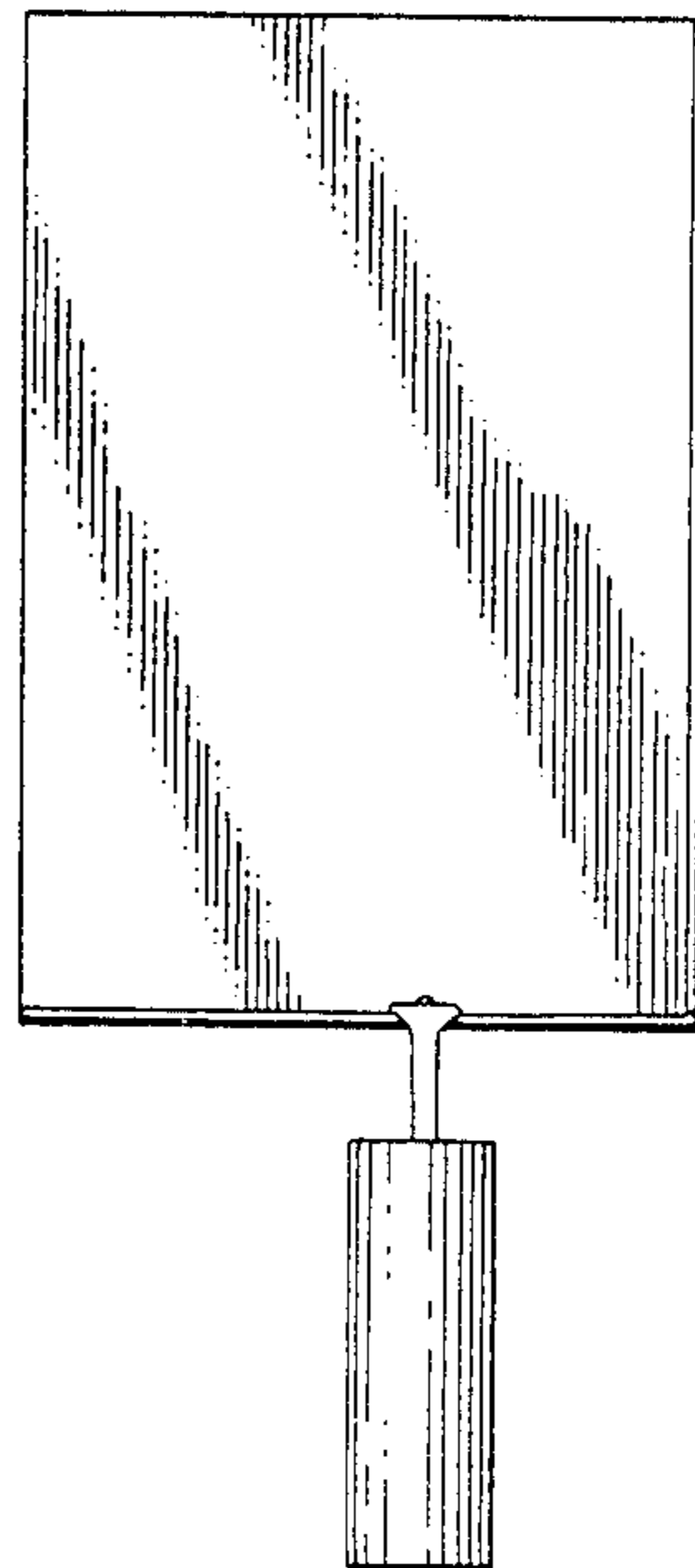


Fig. 2

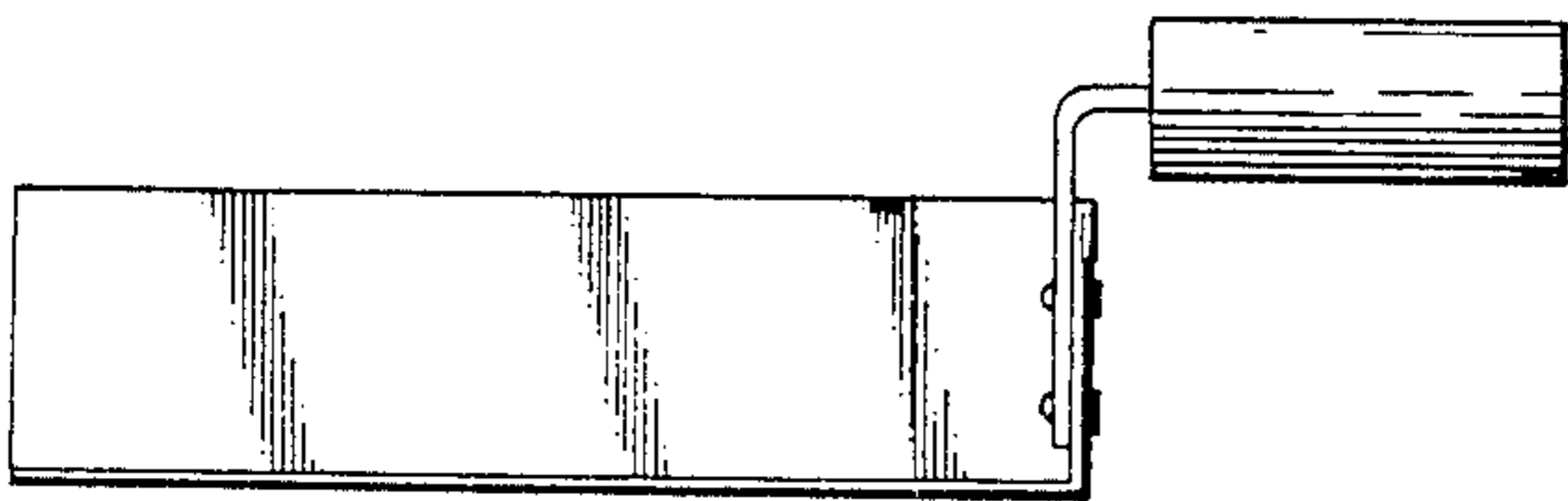


Fig. 3

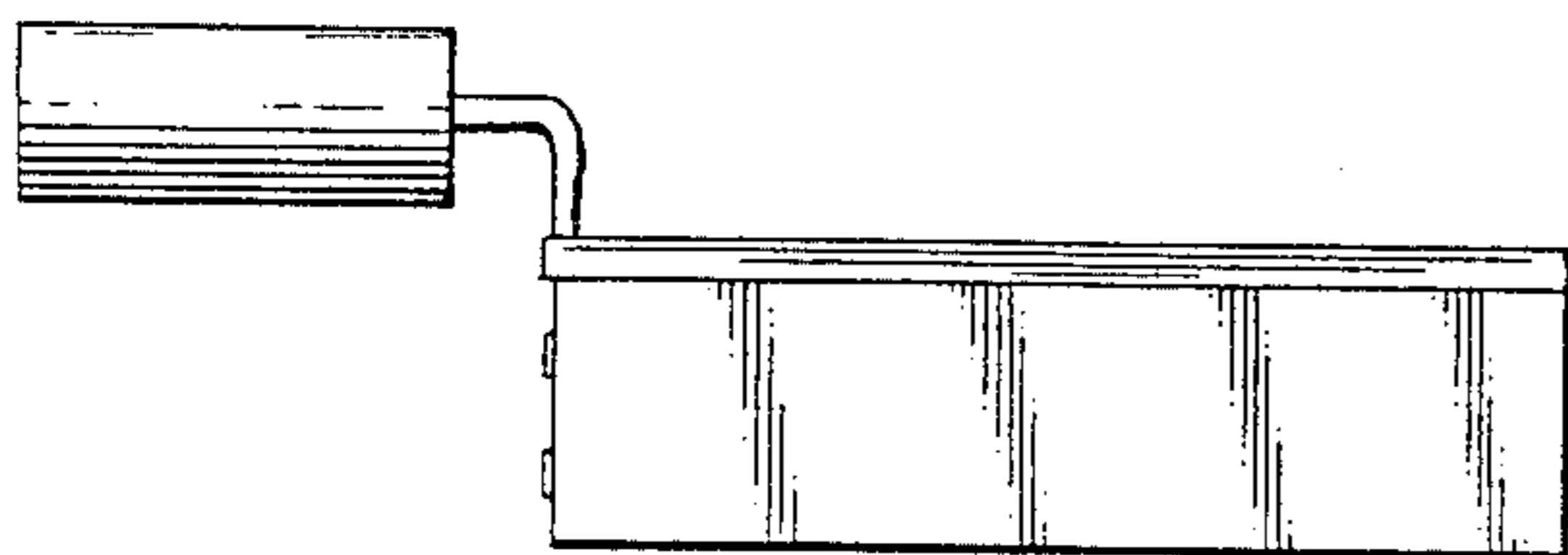


Fig. 4

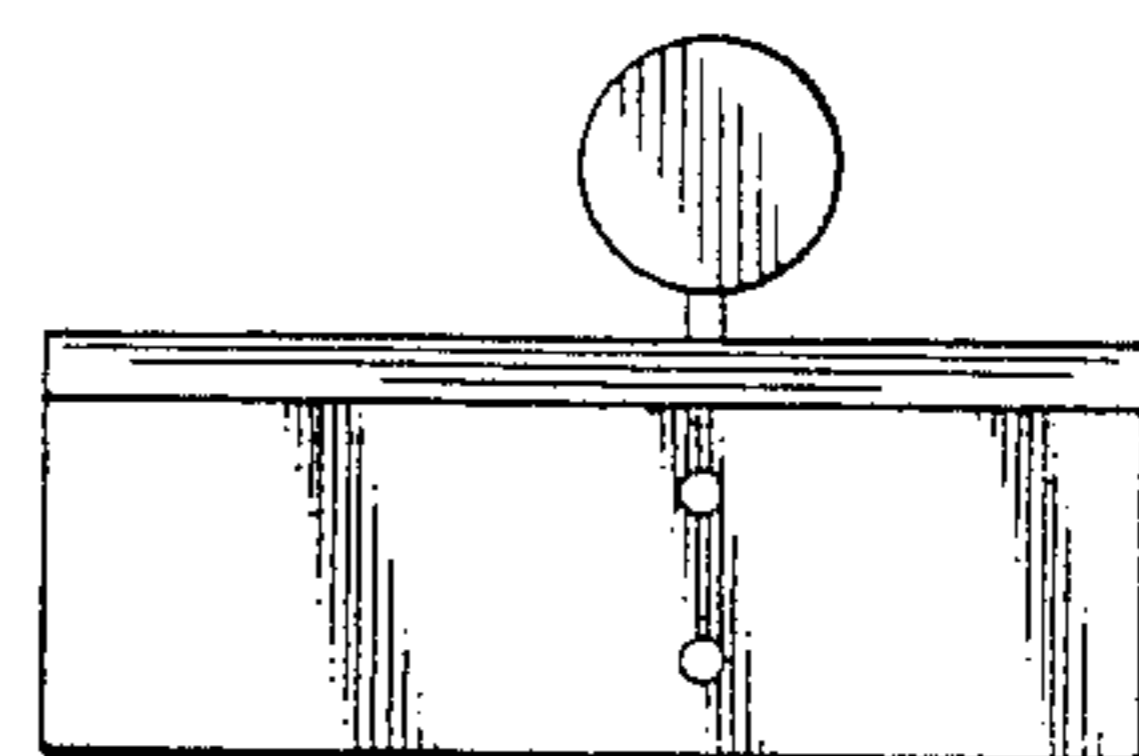


Fig. 5